



US00D777221S

(12) **United States Design Patent** (10) **Patent No.:** **US D777,221 S**  
**Burke et al.** (45) **Date of Patent:** **\*\* Jan. 24, 2017**

(54) **REFRIGERATED APPLIANCE STORAGE BIN**

(56) **References Cited**

U.S. PATENT DOCUMENTS

(71) Applicant: **Whirlpool Corporation**, Benton Harbor, MI (US)

(72) Inventors: **Julia B. Burke**, St. Joseph, MI (US); **Ronald E. Haltmeyer**, Swisher, IA (US); **Anant Ravindra Karanjikar**, Pune (IN); **Dean Alan Martin**, Solon, IA (US)

3,301,610 A	1/1967	Packett	
4,834,557 A	5/1989	Dreinhoff	
4,979,262 A	12/1990	Lautenschlager	
5,090,820 A	2/1992	Lautenschlager	
D604,341 S *	11/2009	Busalt et al.	D15/91
D692,034 S *	10/2013	Seo et al.	D15/89
D707,267 S *	6/2014	Choi et al.	D15/89
D709,926 S *	7/2014	Park et al.	D15/89
D709,927 S *	7/2014	Park et al.	D15/89

(Continued)

(73) Assignee: **Whirlpool Corporation**, Benton Harbor, MI (US)

FOREIGN PATENT DOCUMENTS

(\*\*) Term: **14 Years**

CN	2881472	3/2007
JP	3419988	4/2003

(Continued)

(21) Appl. No.: **29/485,249**

*Primary Examiner* — Daniel Bui  
*Assistant Examiner* — Khawaja Anwar

(22) Filed: **Mar. 18, 2014**

(57) **CLAIM**

We claim the ornamental design for a refrigerated appliance storage bin, substantially as shown and described.

**Related U.S. Application Data**

**DESCRIPTION**

(63) Continuation of application No. 13/833,463, filed on Mar. 15, 2013, now abandoned.

(51) **LOC (10) Cl.** ..... **15-07**

(52) **U.S. Cl.**  
USPC ..... **D15/89**

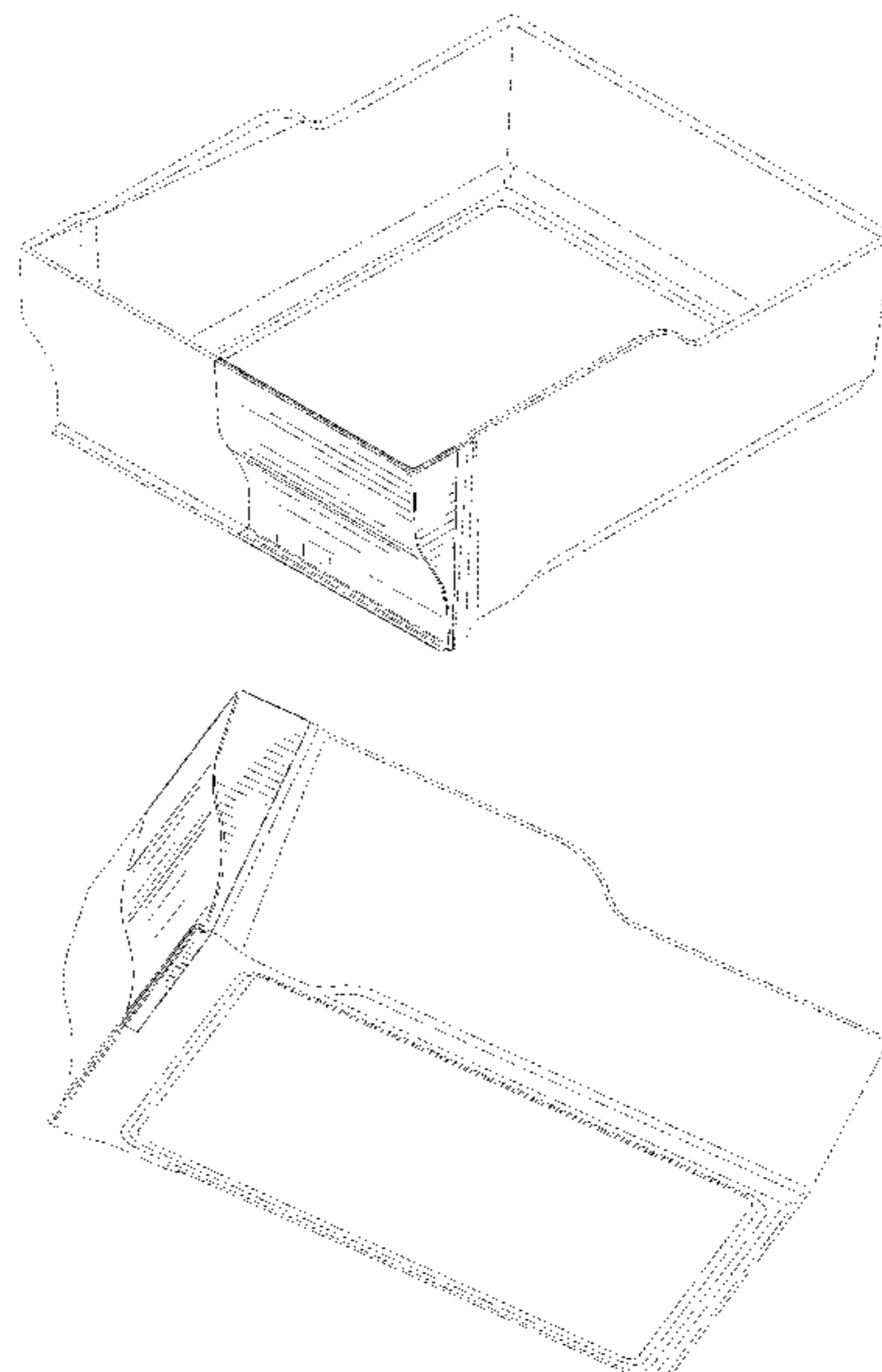
(58) **Field of Classification Search**  
USPC ..... D15/79-91  
CPC ..... F25D 23/028; F25D 23/02; F25D 25/025; F25D 23/00; F25D 2323/021; F25D 11/00; F25D 2323/024; F25D 23/04; F25D 29/00; F25D 25/02; F25D 25/024; F25D 27/005; F25D 23/12; F25D 29/005; F25D 17/042; F25D 2325/021

FIG. 1 is a perspective view of a refrigerated appliance storage bin, showing our new design;  
FIG. 2 is another perspective view thereof;  
FIG. 3 is a front elevation view thereof;  
FIG. 4 is a rear elevation view thereof;  
FIG. 5 is a right side elevation view thereof;  
FIG. 6 is a left side elevation view thereof;  
FIG. 7 is a top plan view thereof; and,  
FIG. 8 is a bottom plan view thereof.

The dot-dash broken lines immediately adjacent shaded areas represent the bounds of the claimed design while all other broken lines are included for the purpose of illustrating the unclaimed portions of the article; the broken lines form no part of the claimed design.

See application file for complete search history.

**1 Claim, 6 Drawing Sheets**



(56)

**References Cited**

U.S. PATENT DOCUMENTS

D709,928 S \* 7/2014 Park et al. .... D15/89

FOREIGN PATENT DOCUMENTS

JP	2008121976	5/2008
KR	2003021799 A	3/2003
KR	2003023801 A	3/2003
KR	100430216	4/2004
KR	1020040064564	7/2004
KR	2009106233 A	10/2009
KR	2010018234 A	2/2010
KR	1020100023474	3/2010
KR	101028583 B1	9/2010
KR	100998369	11/2010
KR	101013683	1/2011

\* cited by examiner

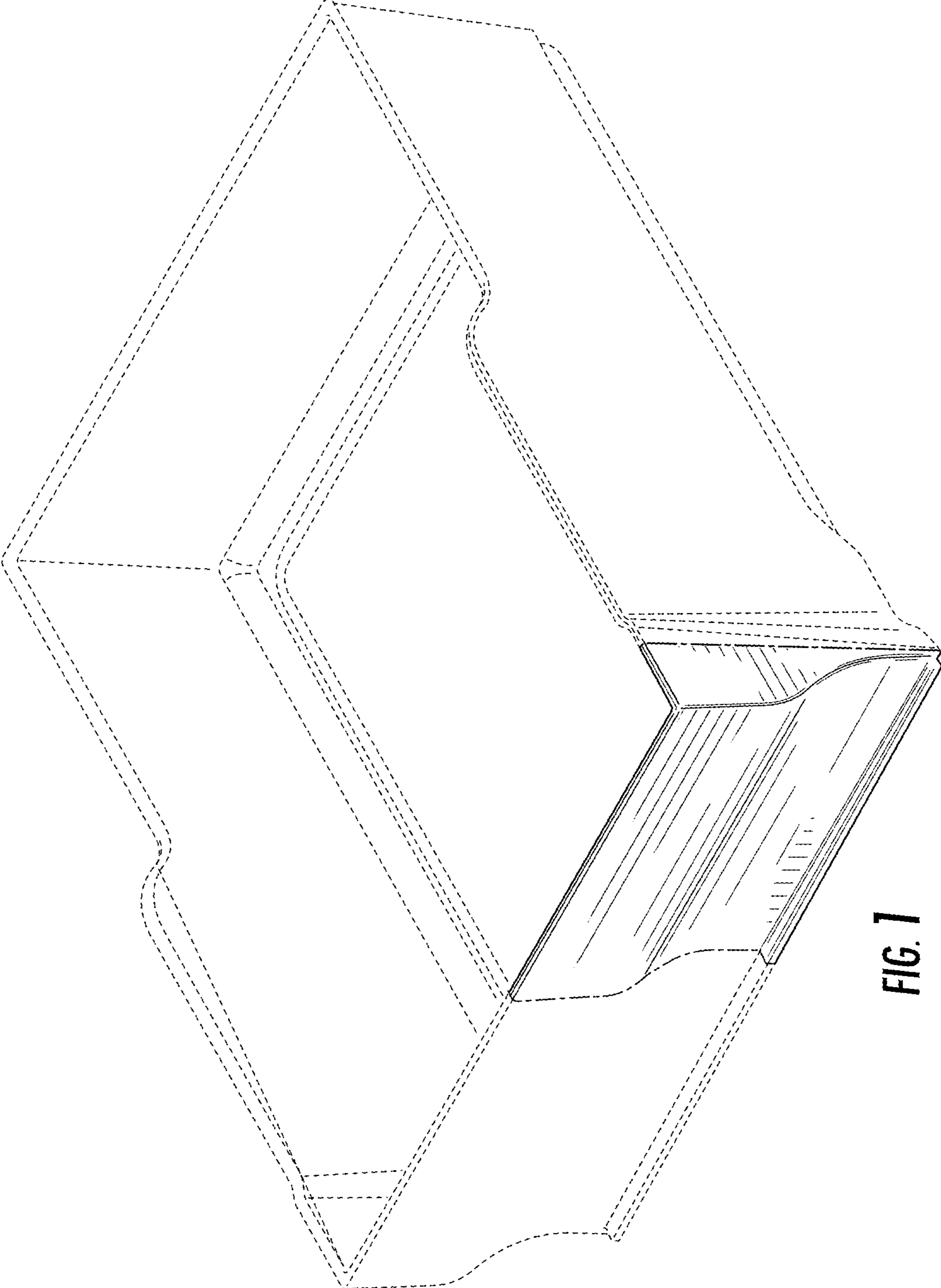


FIG. 7

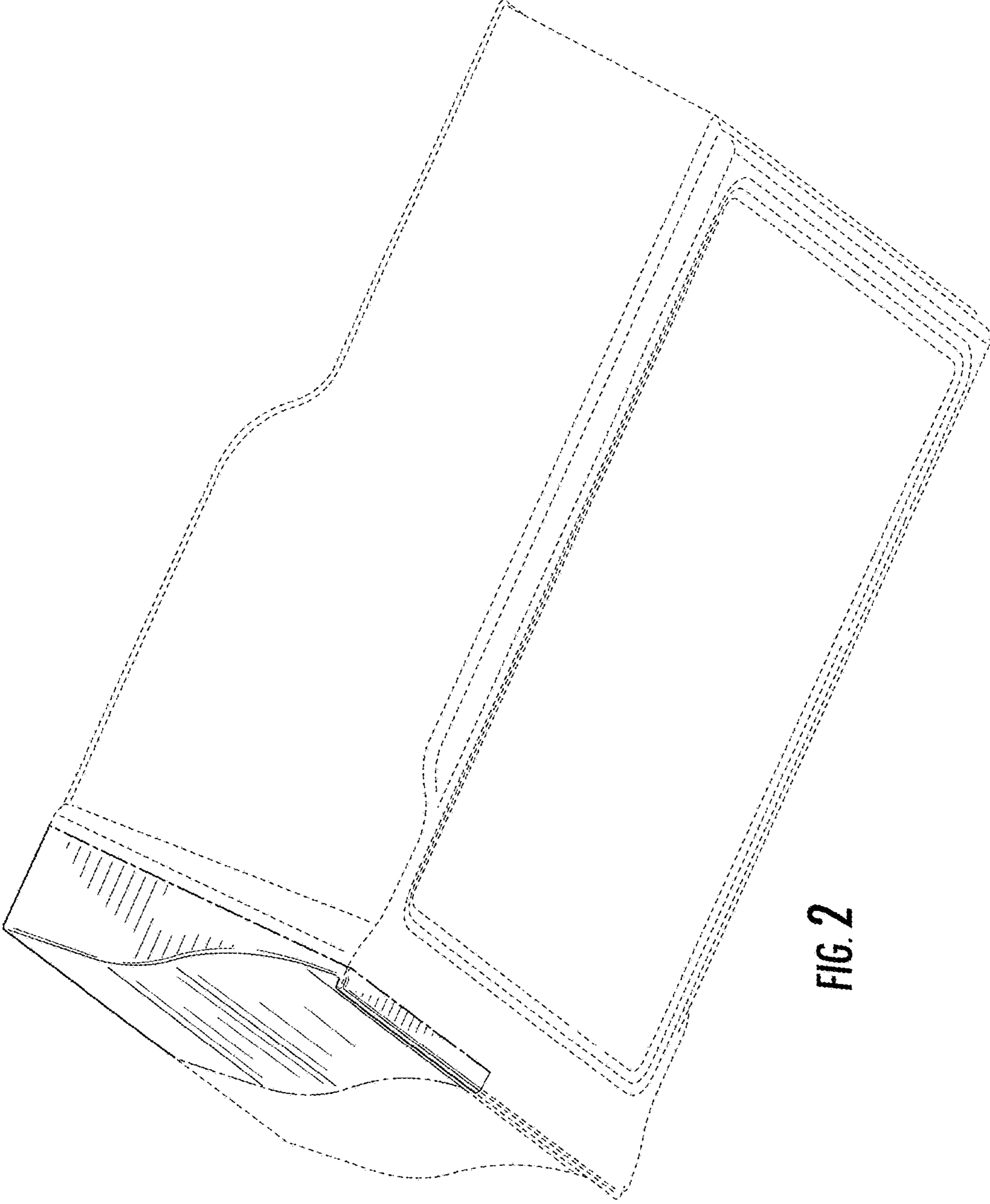
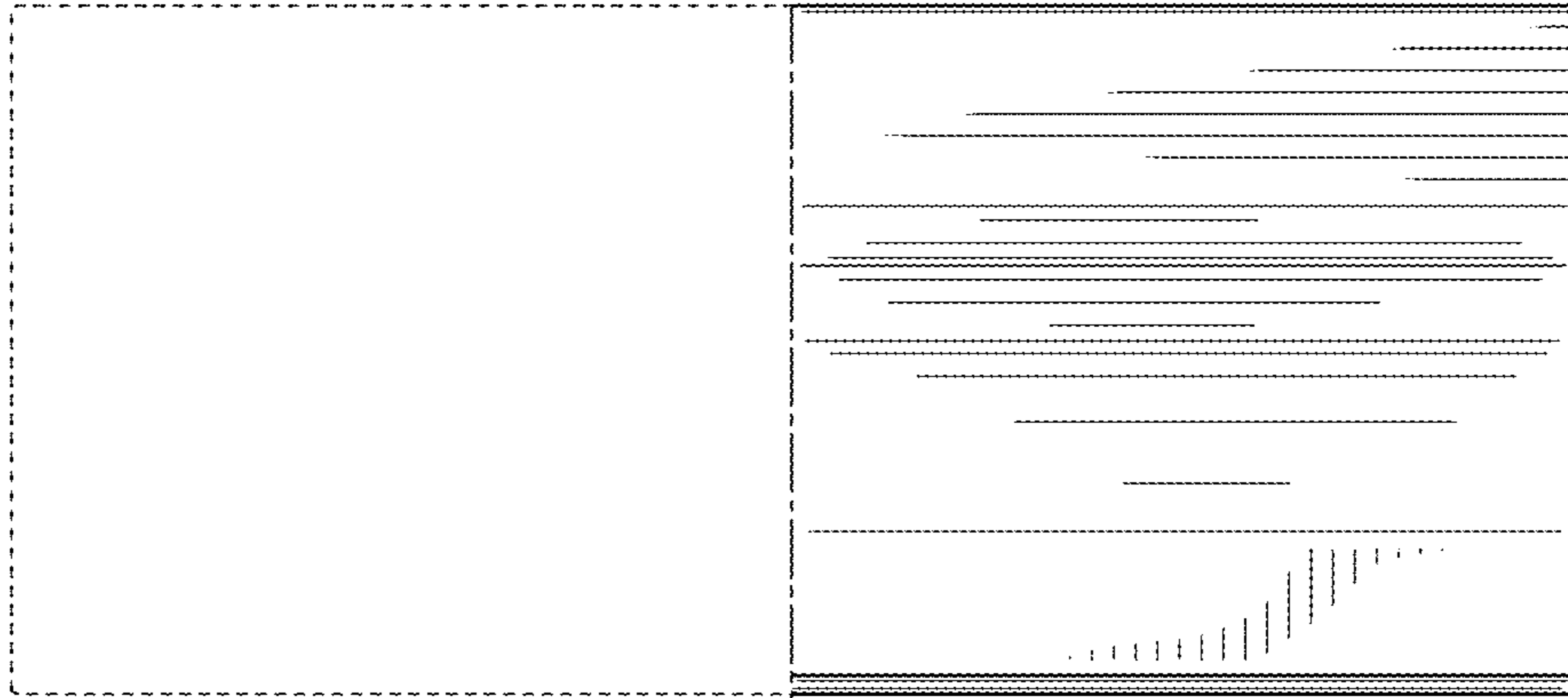
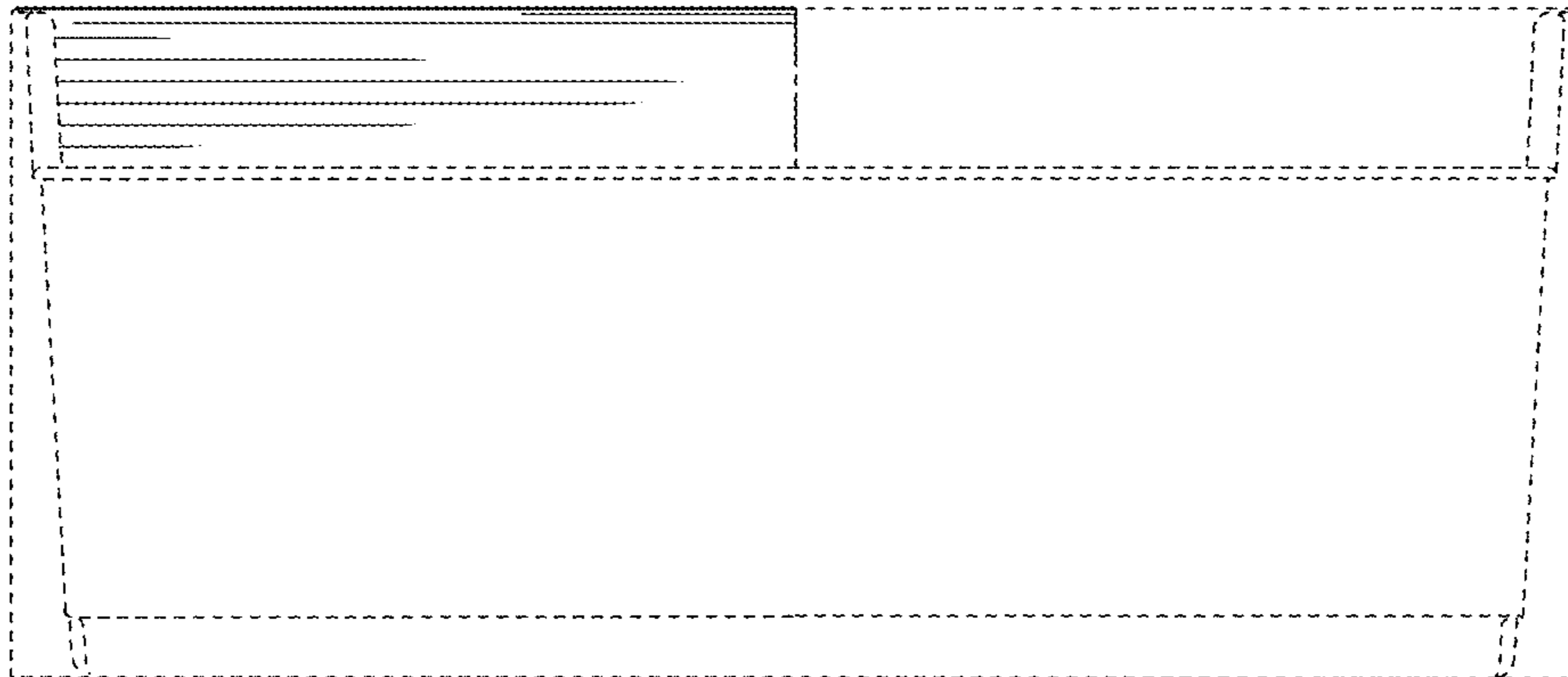


FIG. 2



**FIG. 3**



**FIG. 4**

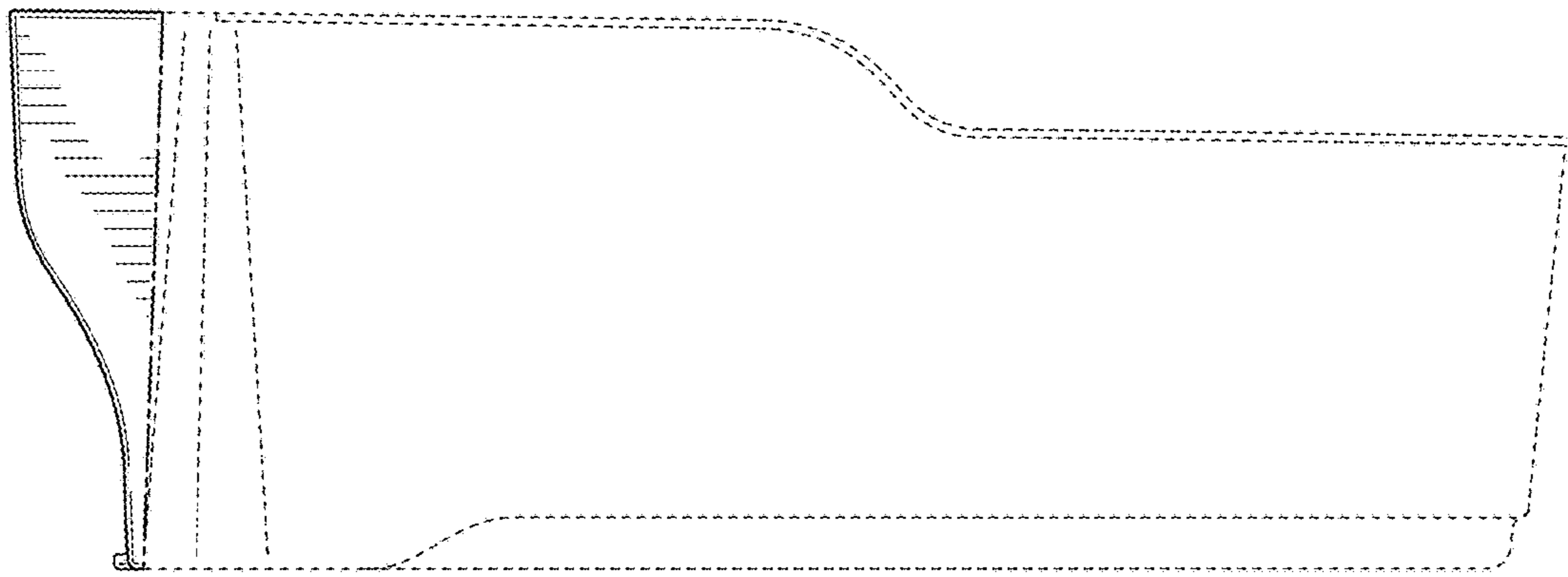


FIG. 5

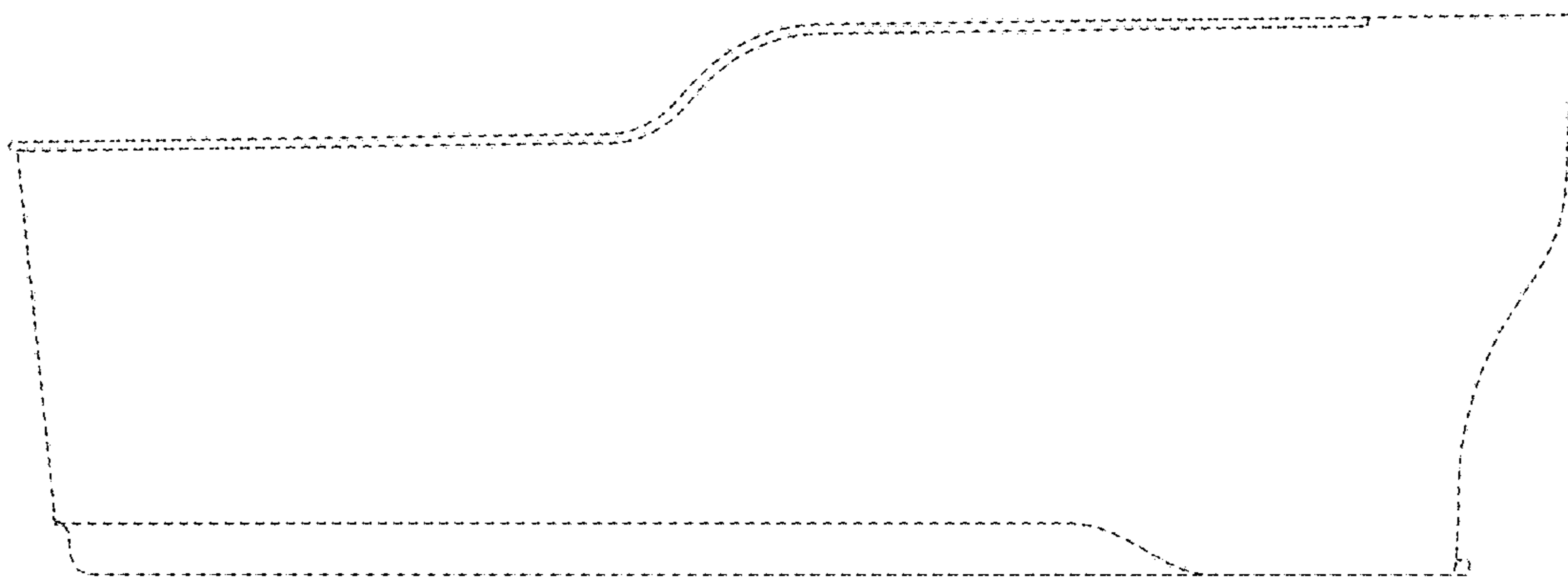
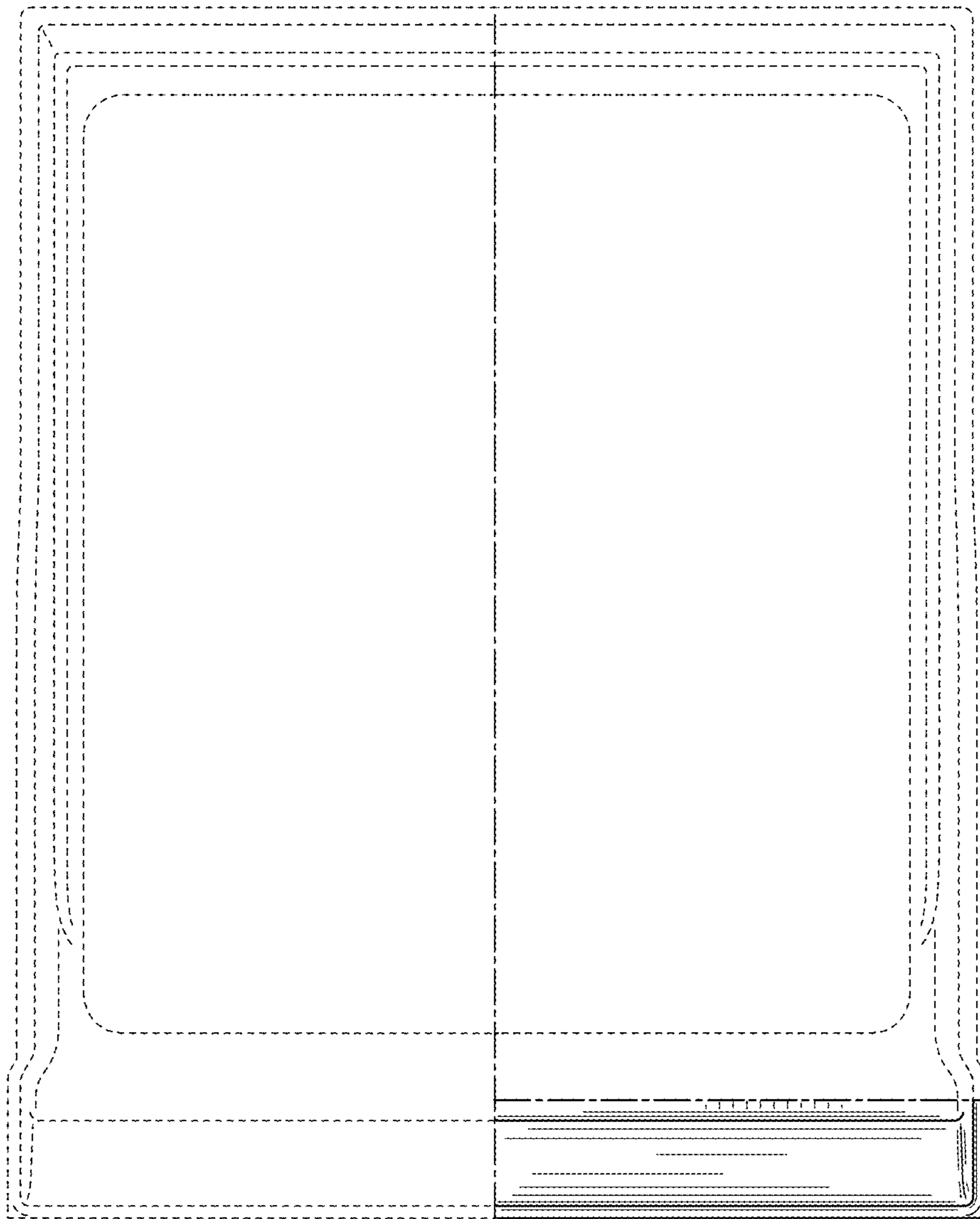
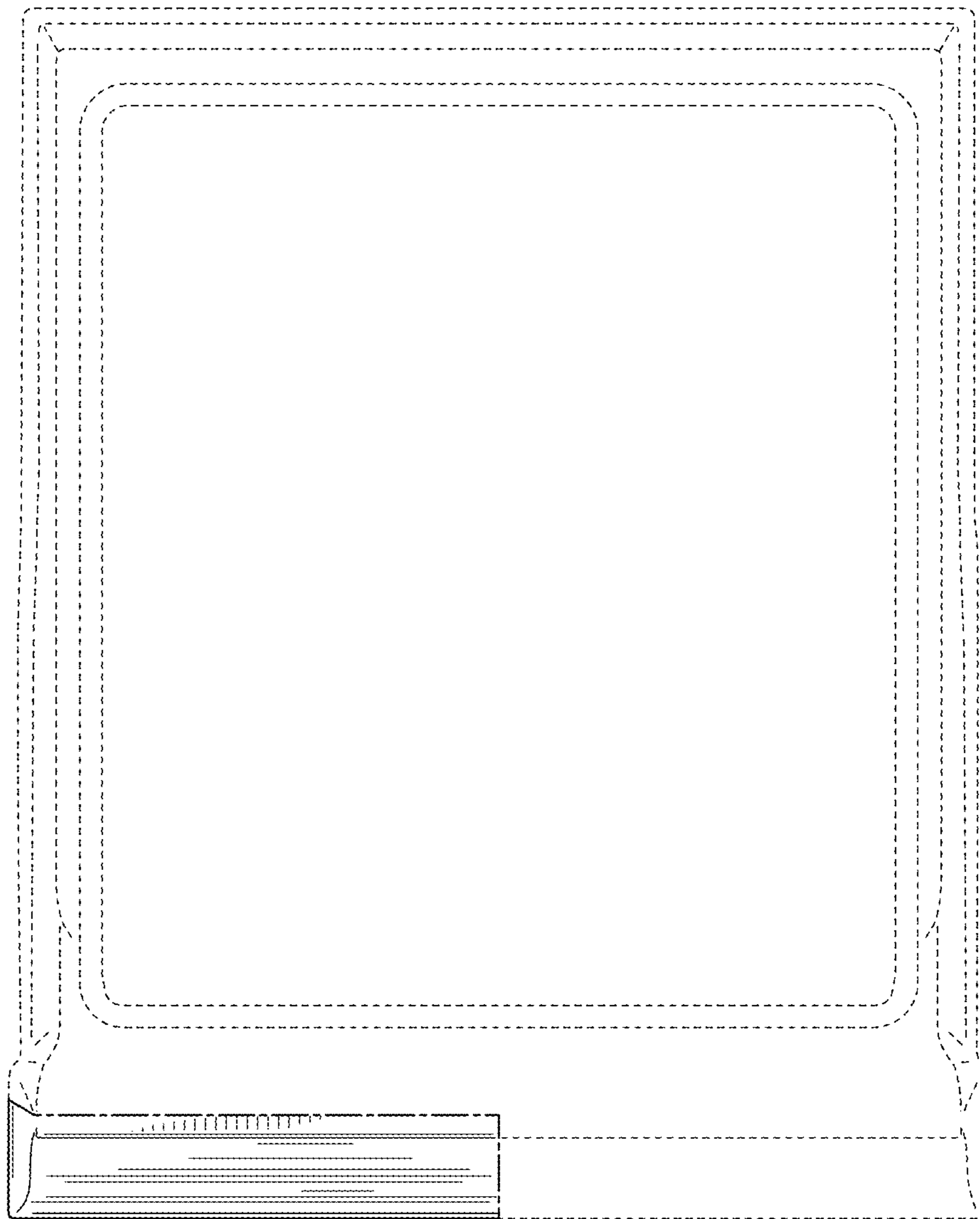


FIG. 6



**FIG. 7**



**FIG. 8**