



US00D777220S

(12) **United States Design Patent**
Powell

(10) **Patent No.:** **US D777,220 S**
(45) **Date of Patent:** **** Jan. 24, 2017**

(54) **LAWN CARE VEHICLE HOOD ASSEMBLY**

(71) Applicant: **MTD PRODUCTS INC**, Valley City, OH (US)

(72) Inventor: **Jeremy D. Powell**, Valley City, OH (US)

(73) Assignee: **MTD PRODUCTS INC**, Valley City, OH (US)

(**) Term: **15 Years**

(21) Appl. No.: **29/539,425**

(22) Filed: **Sep. 14, 2015**

(51) **LOC (10) Cl.** **12-09**

(52) **U.S. Cl.**
USPC **D15/31**

(58) **Field of Classification Search**
USPC D15/10, 15, 22-26, 28, 30-31, 199
CPC E02F 9/0833; E02F 3/325; E02F 9/166;
E02F 9/0866; E02F 9/0891; E02F 9/2004;
E02F 9/0858; E02F 9/163; E02F
3/30; E02F 9/00; E02F 9/08; E02F
9/0875; E02F 9/2267; E02F
9/2275; E02F 3/301; E02F 9/121; E02F
3/307; E02F 9/16; E02F 3/964; E02F
9/0841; E02F 9/0883; E02F 9/24
See application file for complete search history.

(56) **References Cited**

U.S. PATENT DOCUMENTS

D371,372 S * 7/1996 Westimayer D15/17
D381,341 S * 7/1997 Goebert D15/17
D410,012 S * 5/1999 Goebert D15/17

D440,982 S * 4/2001 Knight D15/23
D573,611 S * 7/2008 Geier D15/20
D581,955 S * 12/2008 Matsumoto D15/31
D631,489 S * 1/2011 Booth D15/31
D665,428 S * 8/2012 Hickman D15/31
D668,695 S * 10/2012 Ringer D15/31
D680,562 S * 4/2013 Park D15/31
D691,642 S * 10/2013 Fujiwara D15/15
D716,846 S * 11/2014 Carter D15/31
D720,371 S * 12/2014 Furukawa D15/31
D728,640 S * 5/2015 Turner D15/31

* cited by examiner

Primary Examiner — Ian Simmons

Assistant Examiner — Khawaja Anwar

(74) *Attorney, Agent, or Firm* — Wegman, Hessler & Vanderburg

(57) **CLAIM**

We claim the ornamental design for a lawn care vehicle hood assembly, as shown and described.

DESCRIPTION

FIG. 1 is a top perspective view of a lawn care vehicle hood assembly, shown in typical usage condition, showing our new design;

FIG. 2 is a top perspective view thereof, with environment removed;

FIG. 3 is a front elevation view thereof;

FIG. 4 is a rear elevation view thereof;

FIG. 5 is a top plan view thereof;

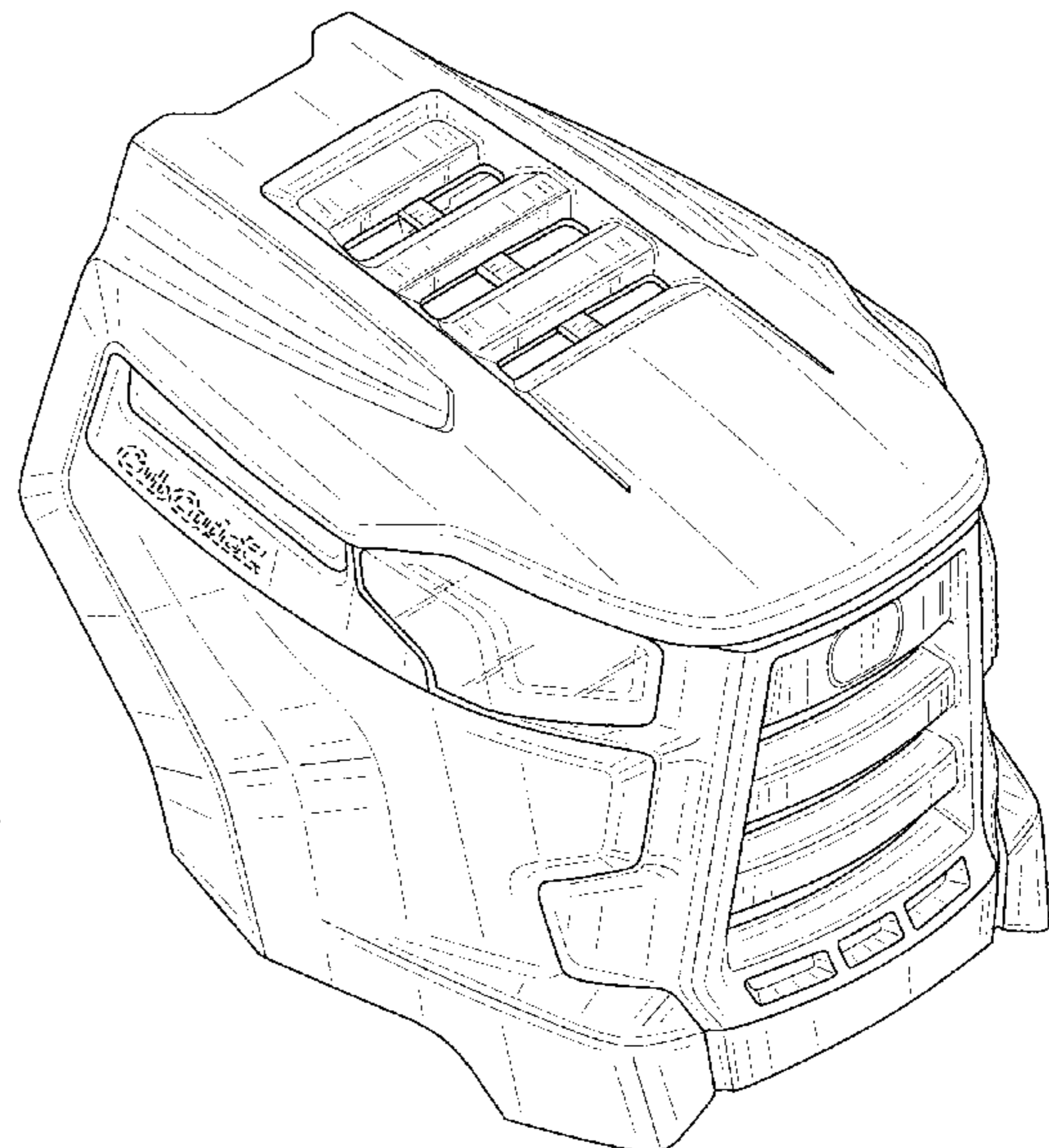
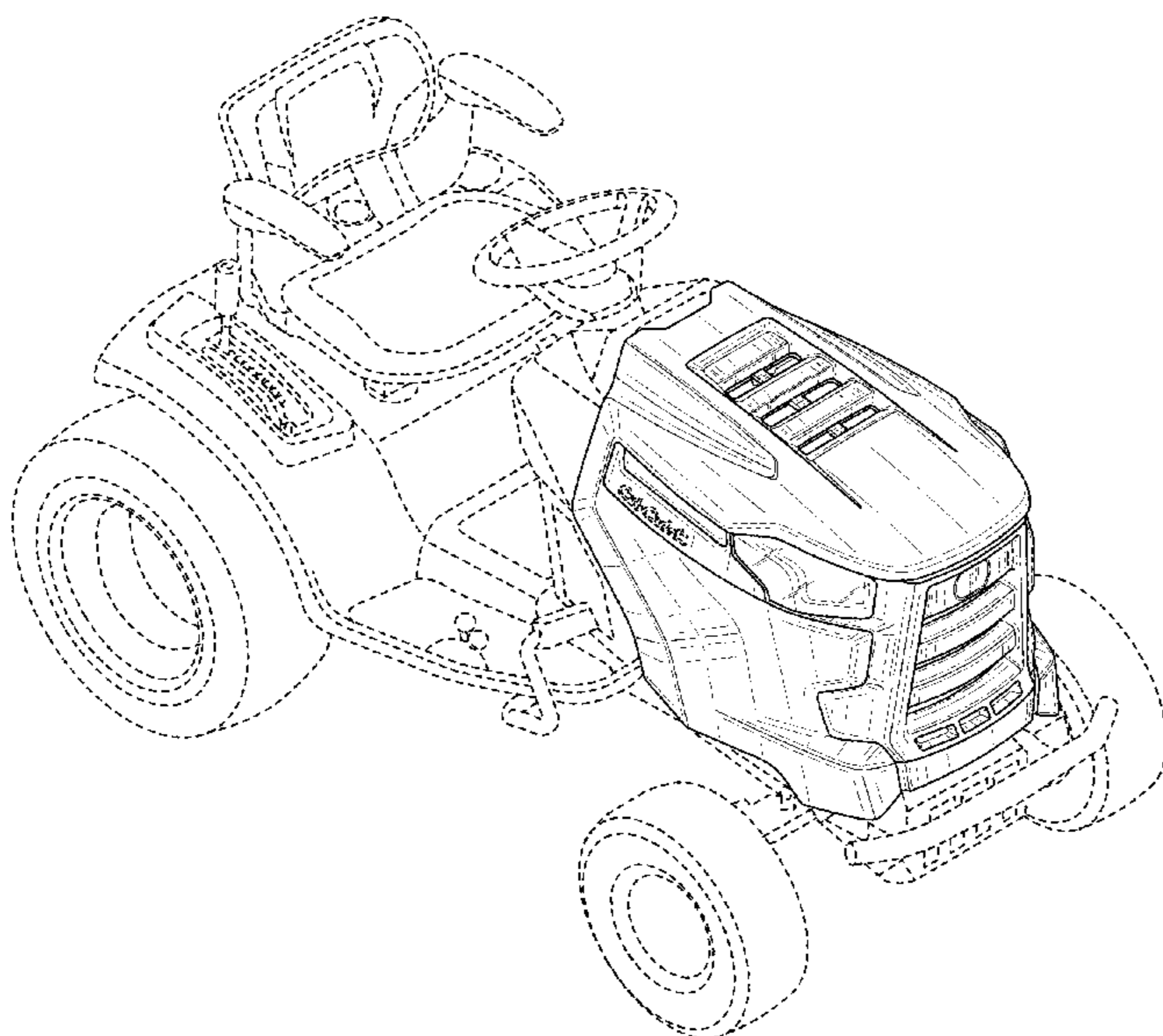
FIG. 6 is a bottom plan view thereof;

FIG. 7 is a right side elevation view thereof; and,

FIG. 8 is a left side elevation view thereof.

The broken lines shown in the drawings represent unclaimed environment only and form no part of the claimed design.

1 Claim, 8 Drawing Sheets



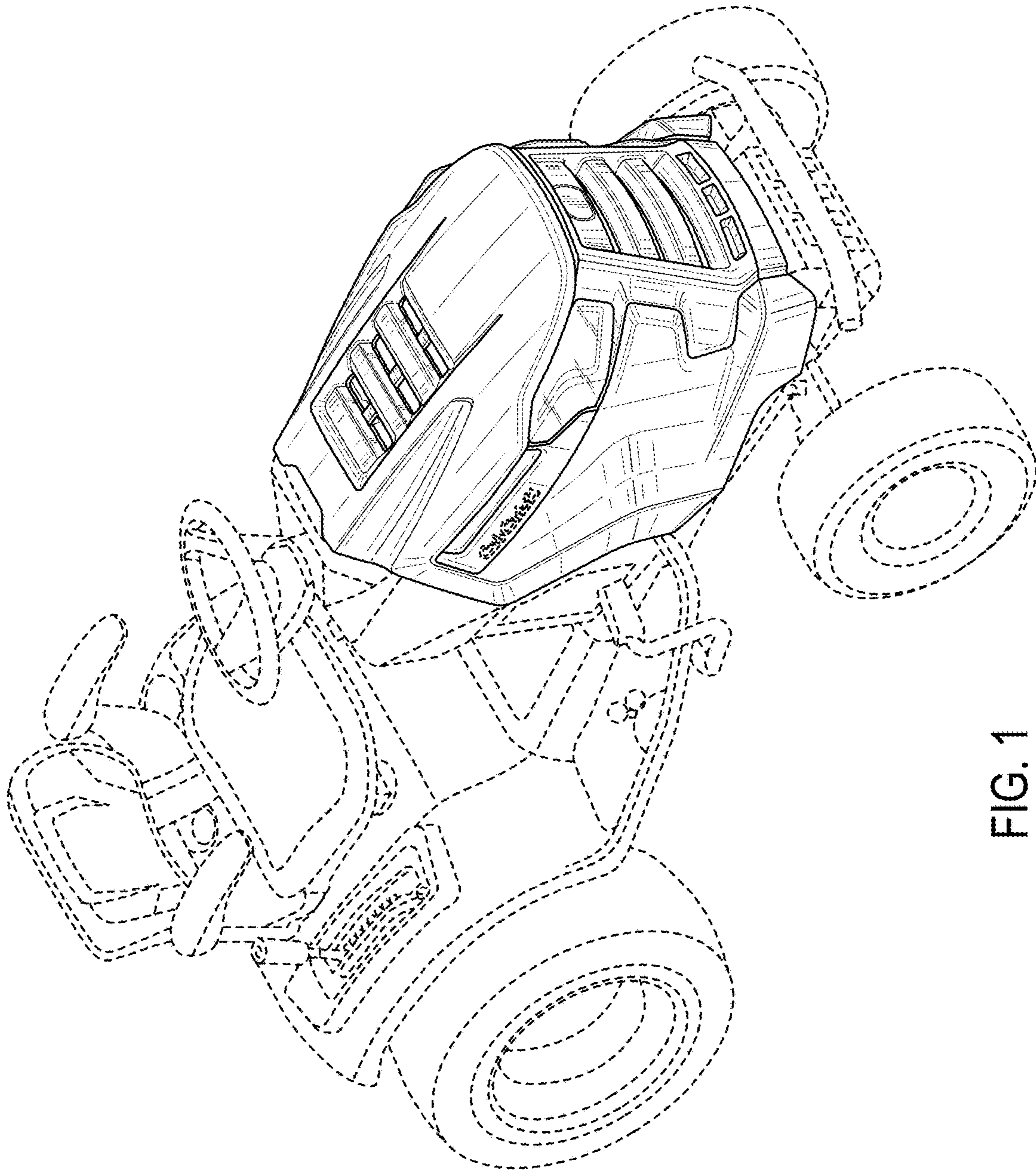


FIG. 1

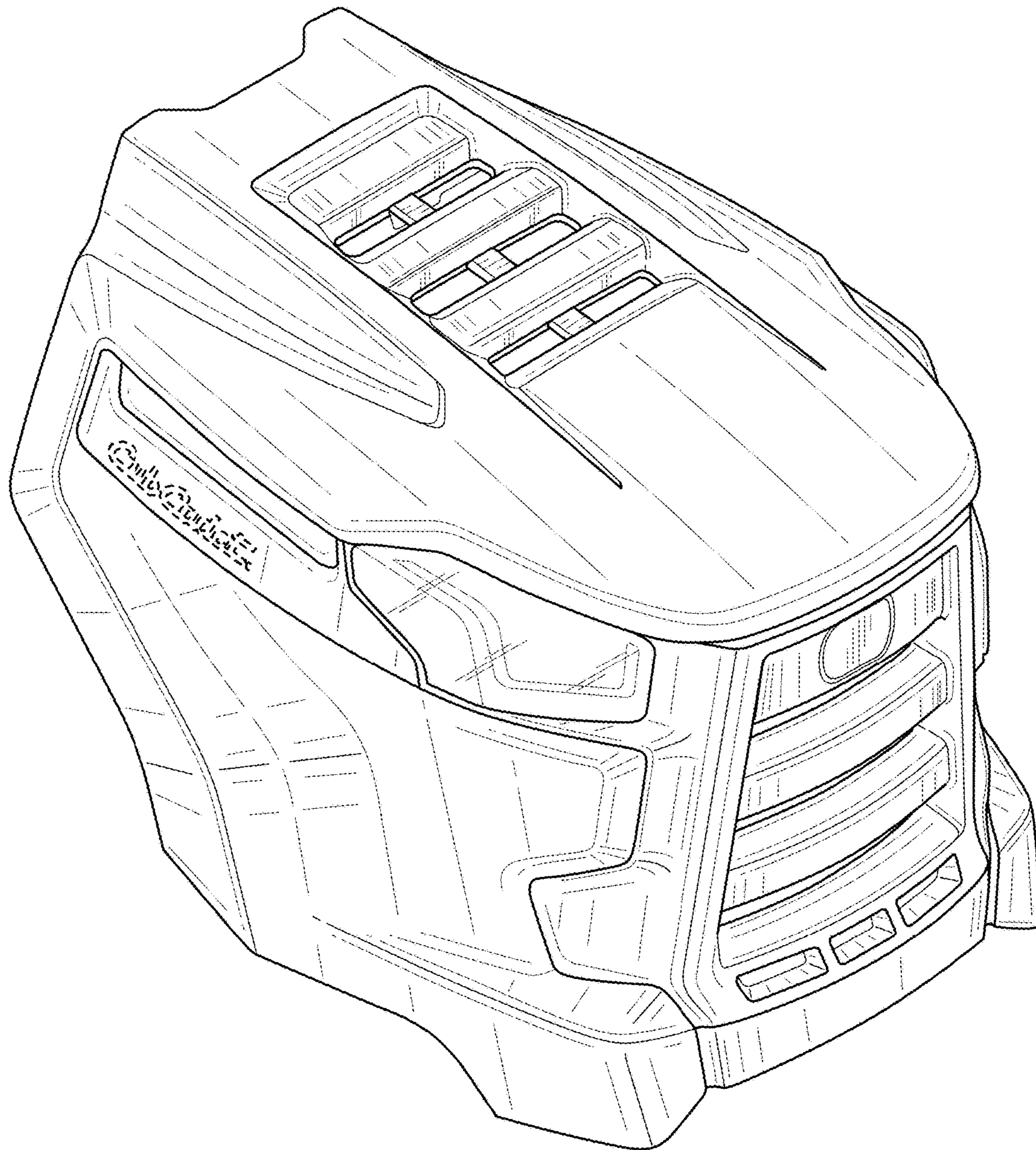


FIG. 2

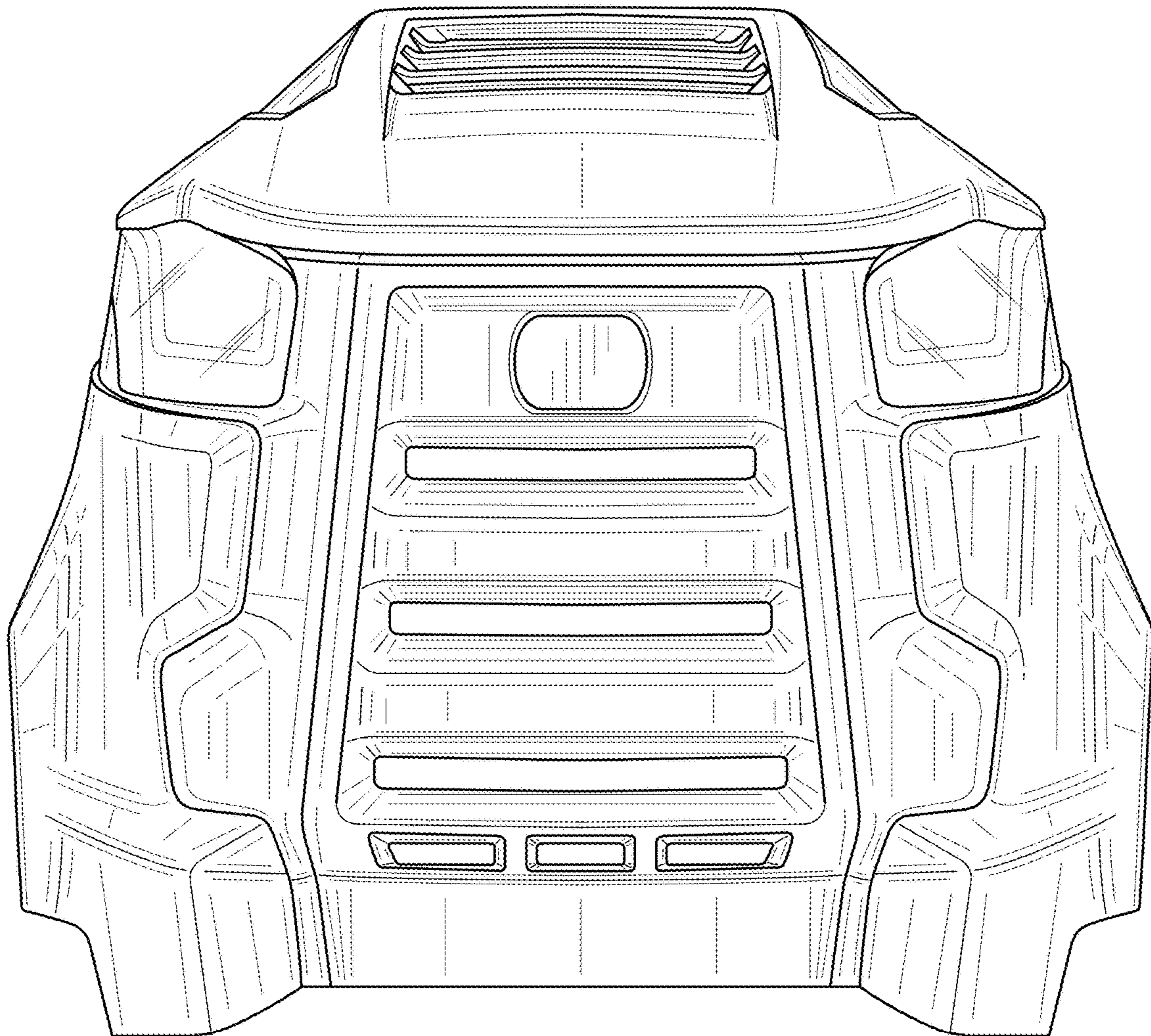


FIG. 3

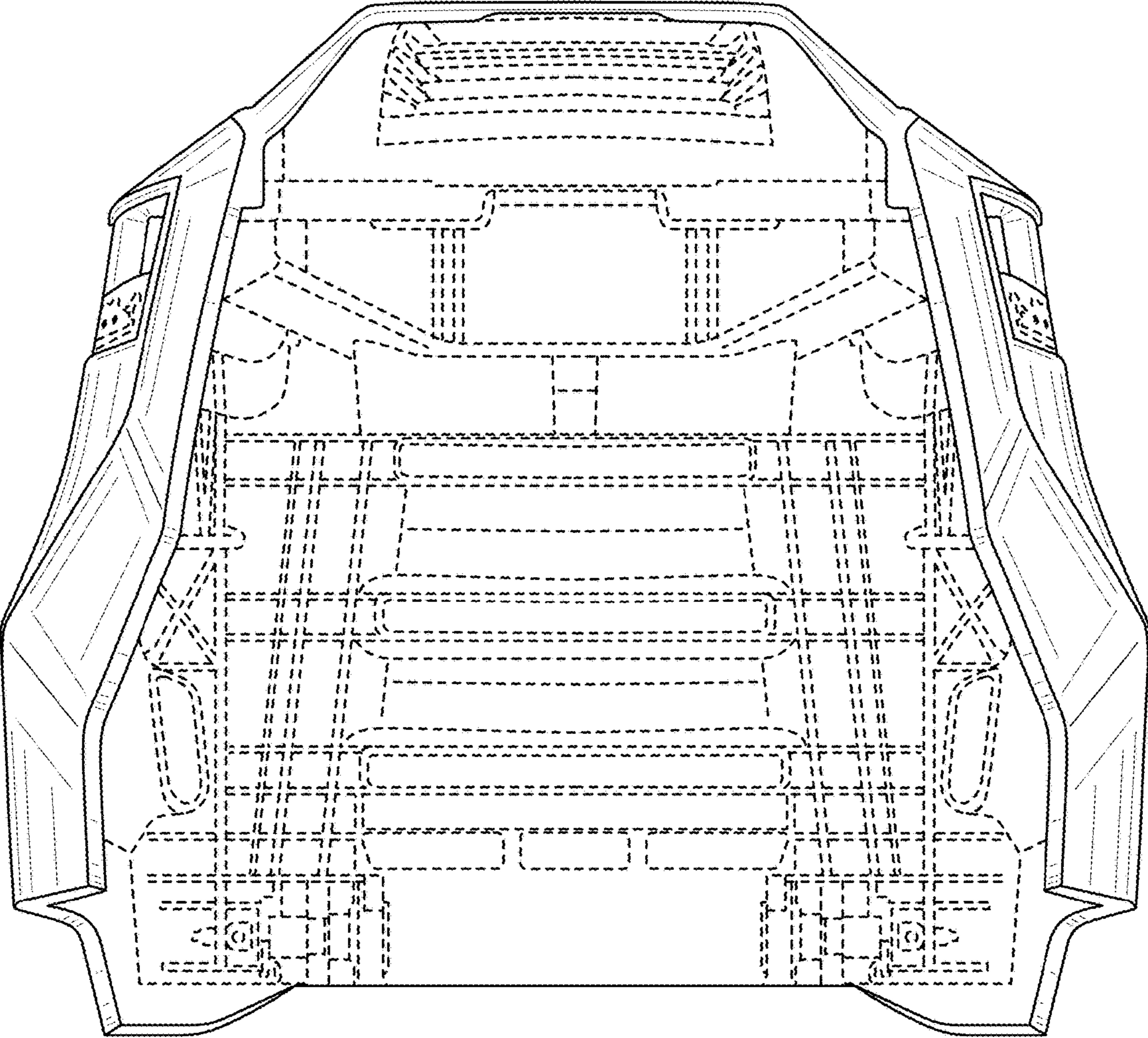


FIG. 4

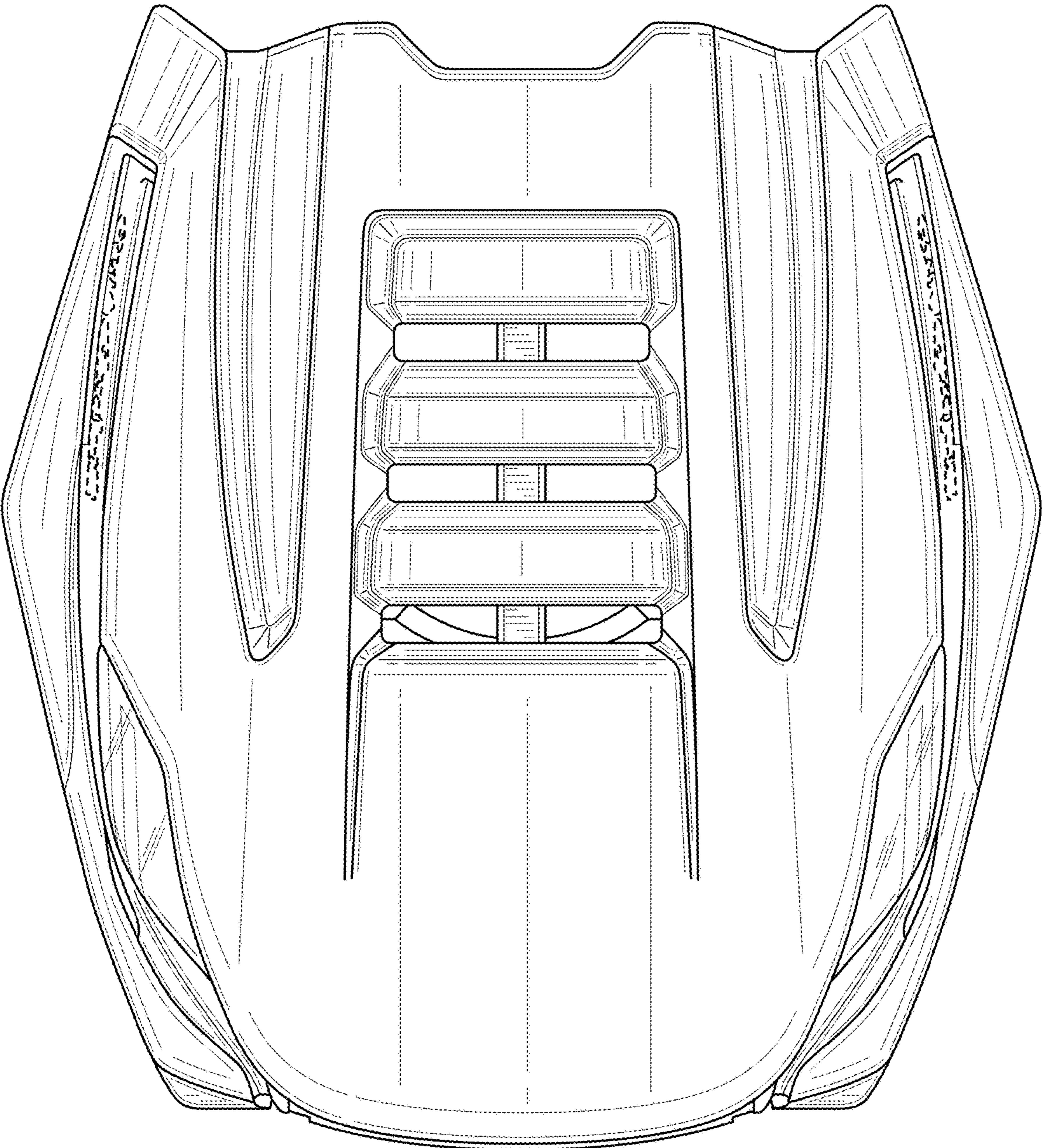


FIG. 5

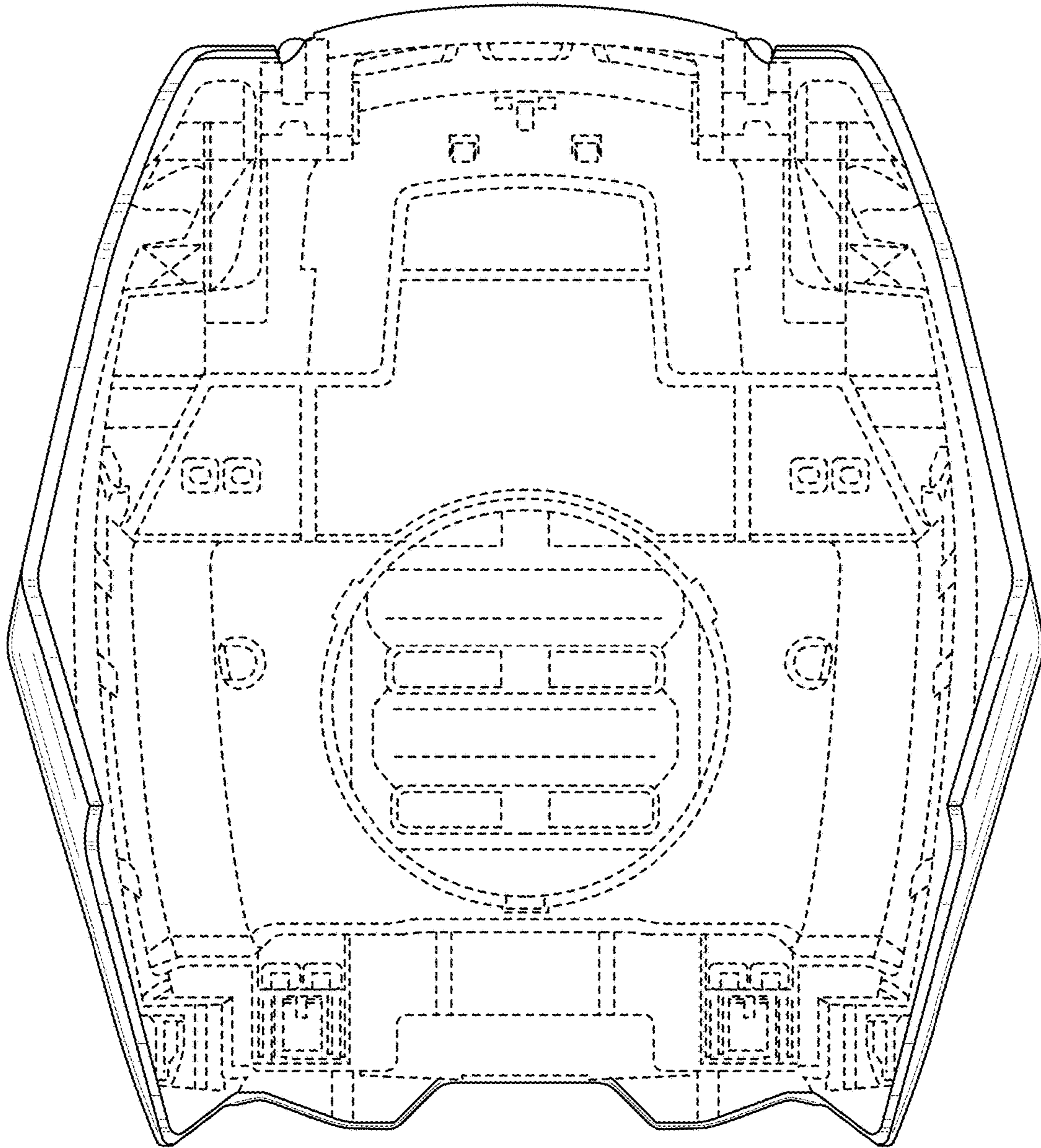


FIG. 6

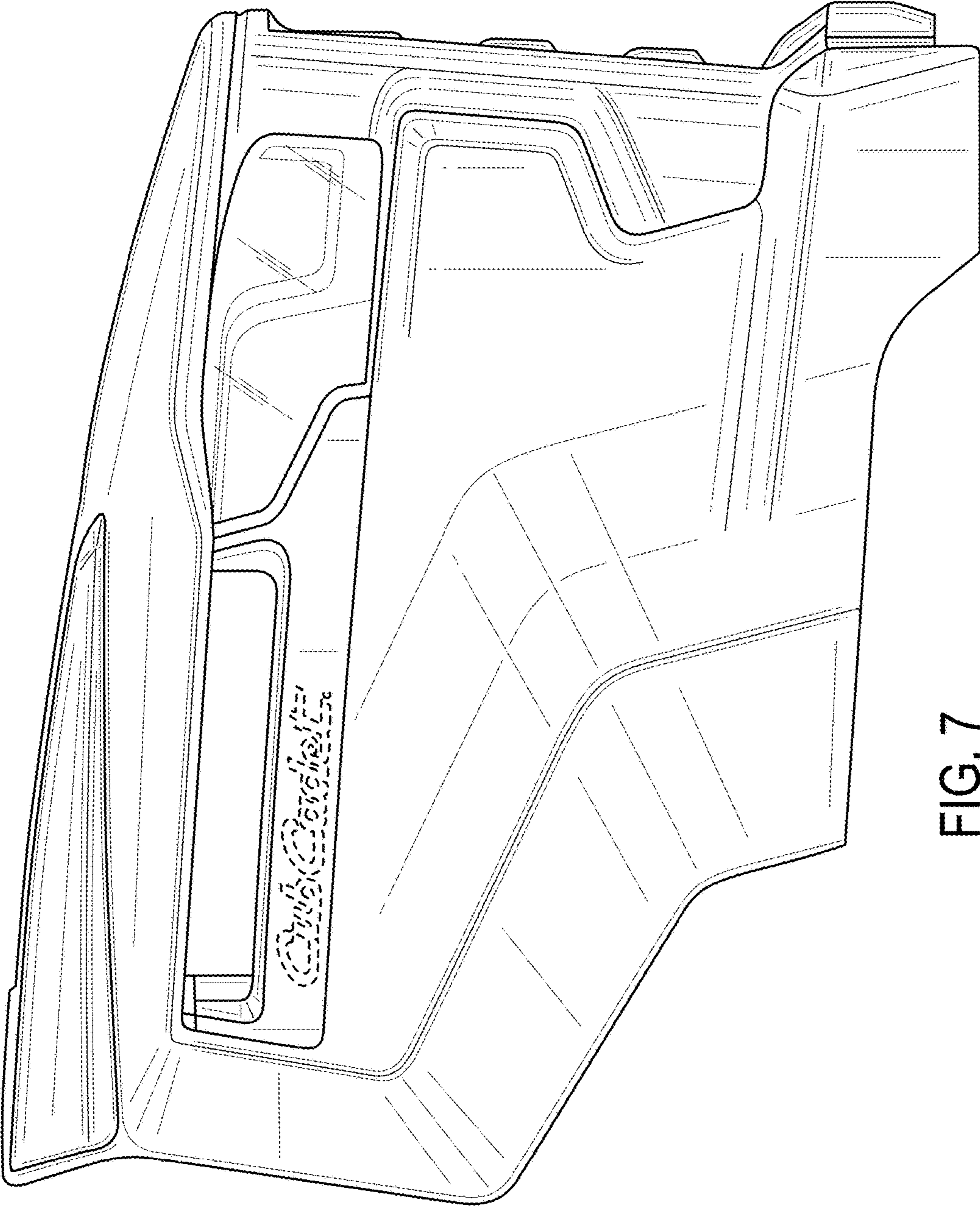


FIG. 7

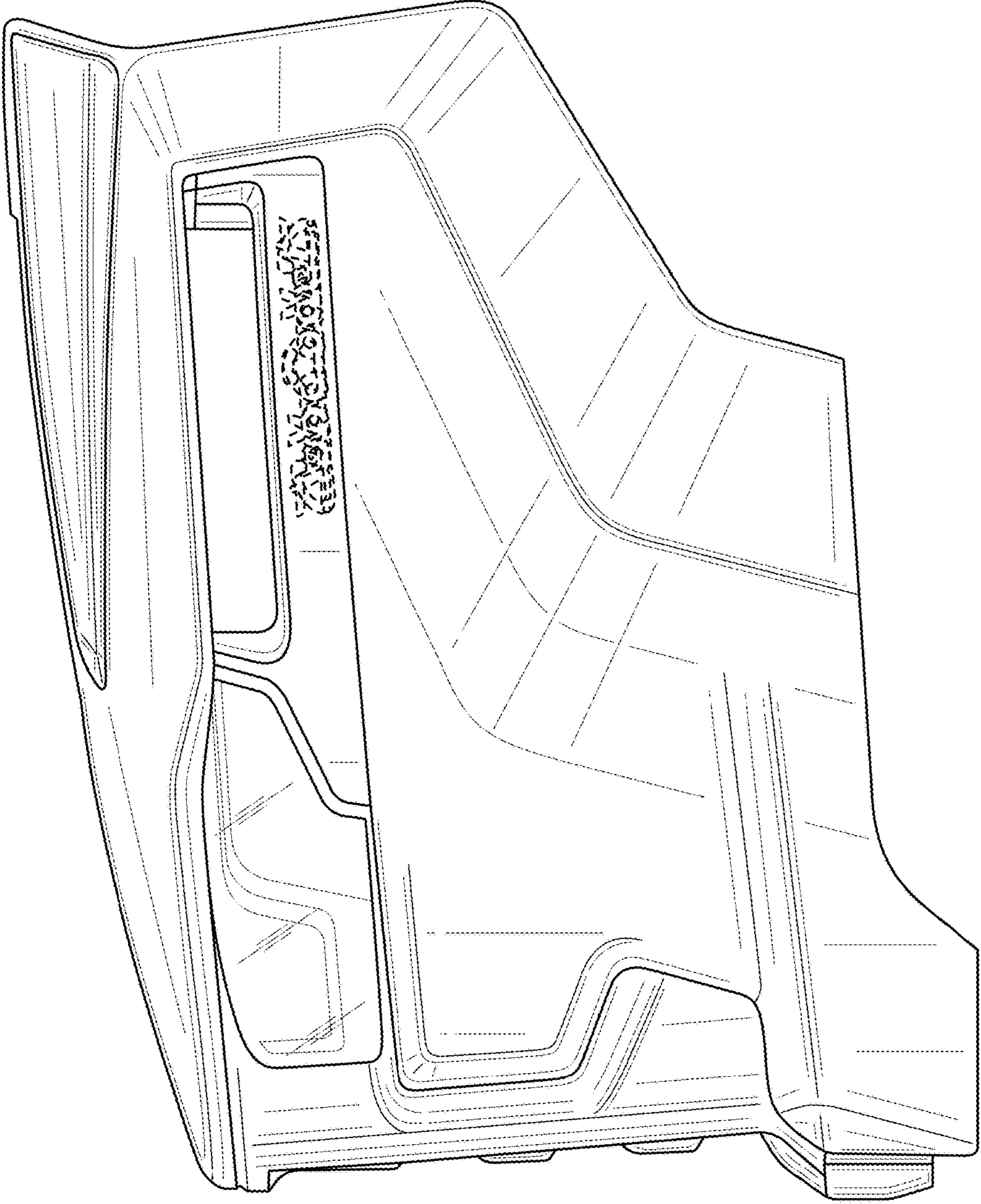


FIG. 8