



US00D777219S

(12) **United States Design Patent** (10) **Patent No.:** **US D777,219 S**
Hanke et al. (45) **Date of Patent:** **** Jan. 24, 2017**

(54) **SELF-PROPELLED AGRICULTURAL APPLICATOR HOOD**

(56) **References Cited**

U.S. PATENT DOCUMENTS

(71) Applicant: **CNH Industrial America LLC**, New Holland, PA (US)
(72) Inventors: **James L. Hanke**, New Holstein, WI (US); **Karl M. Luebke**, New Holstein, WI (US); **Erik L. Hickman**, Manitowoc, WI (US); **Andrew D. Jacobson**, Manitowoc, WI (US); **Frederic George Kuhn**, Kiel, WI (US); **Gary B. Swetish**, Racine, WI (US); **Mark L. Brenneman**, Burlington, WI (US)
(73) Assignee: **CNH Industrial America LLC**, New Holland, PA (US)

D488,488 S *	4/2004	Montgomery	D15/31
D546,351 S *	7/2007	Arthur	D15/31
D586,828 S *	2/2009	Staines	D15/31
D591,777 S *	5/2009	Kokitkar	D15/31
D596,205 S *	7/2009	Kawashiri	D15/31
D620,955 S *	8/2010	Krogh	D15/31
D624,944 S *	10/2010	Major	D15/31
D631,489 S *	1/2011	Booth	D15/31
D632,312 S *	2/2011	Booth	D15/31
D642,598 S *	8/2011	Wikner	D15/31
D655,318 S *	3/2012	Hagele	D15/31
D668,695 S *	10/2012	Ringer	D15/31
D675,233 S *	1/2013	Kushita	D15/31
D680,562 S *	4/2013	Park	D15/31
D715,332 S *	10/2014	Kuwae	D15/28
D720,874 S *	1/2015	Jackson	D15/28
D721,105 S *	1/2015	Okuyama	D15/31
D729,282 S *	5/2015	Sasaki	D15/31
D733,767 S *	7/2015	Kushita	D15/31

(Continued)

(**) Term: **14 Years**

Primary Examiner — Mark Goodwin

(21) Appl. No.: **29/525,501**

(74) *Attorney, Agent, or Firm* — Rebecca L. Henkel; Rickard K. DeMille

(22) Filed: **Apr. 30, 2015**

(57) **CLAIM**

(51) **LOC (10) Cl.** **15-03**

The ornamental design for a self-propelled agricultural applicator hood, as shown and described.

(52) **U.S. Cl.**

DESCRIPTION

USPC **D15/31**

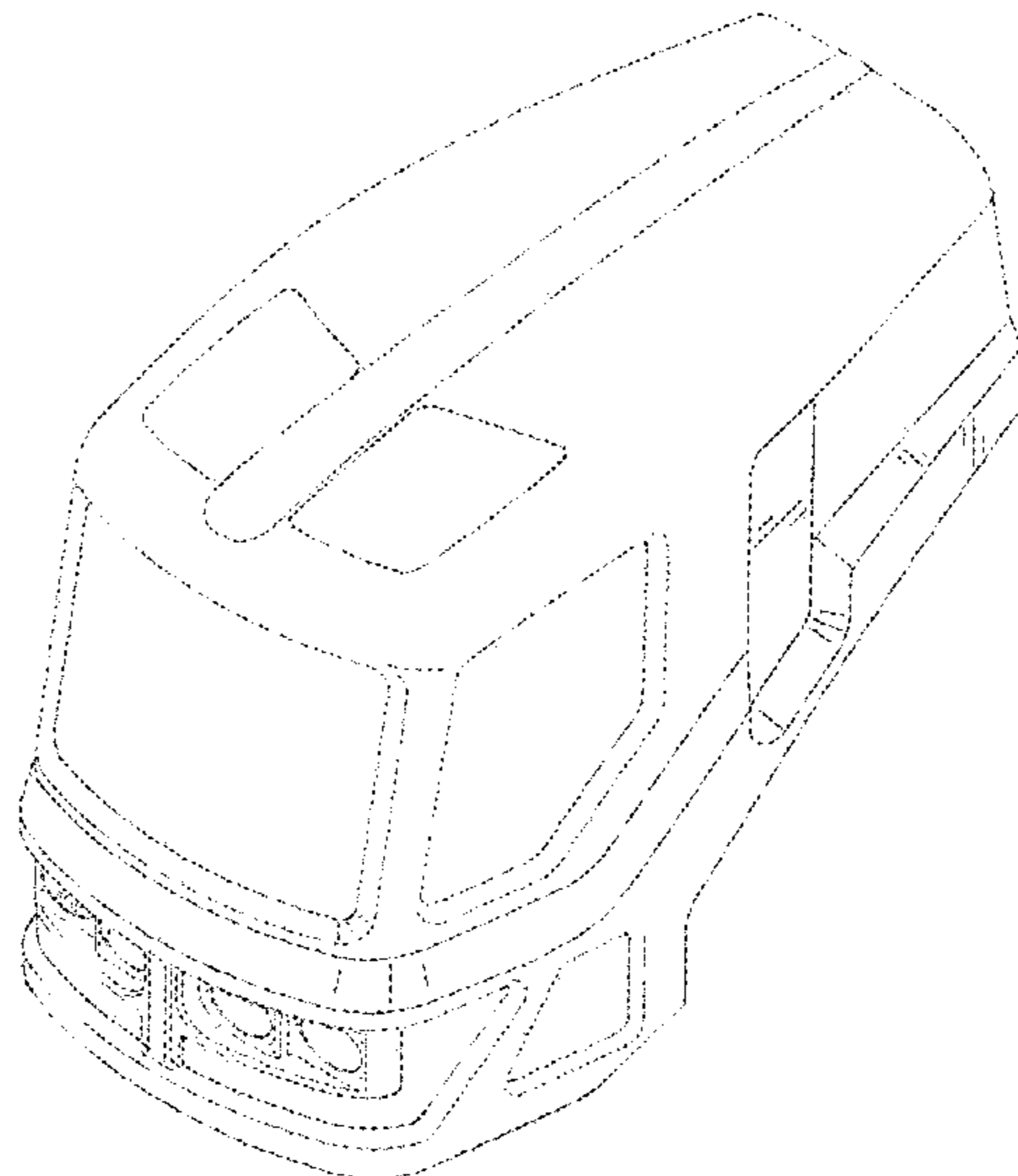
(58) **Field of Classification Search**

USPC D15/10, 11, 13–17, 28, 22–26, 31; D12/173; 180/69.21, 89.1, 89.12, 900, 180/69.2, 68.1, 69.1; 56/13.3, 13.4, 15.8, 56/15.9, 320.1

CPC B62D 25/10; B62D 25/00; B62D 49/00–49/085; B60R 19/52; B60R 21/38; B60K 13/02; B60K 11/08; B60K 11/04; F01P 11/10; F01P 5/06; F01P 2001/005; B60Y 2200/221

See application file for complete search history.

1 Claim, 3 Drawing Sheets



(56)

References Cited

U.S. PATENT DOCUMENTS

D735,248 S * 7/2015 Okuyama D15/31
D735,775 S * 8/2015 Okuyama D15/31

* cited by examiner

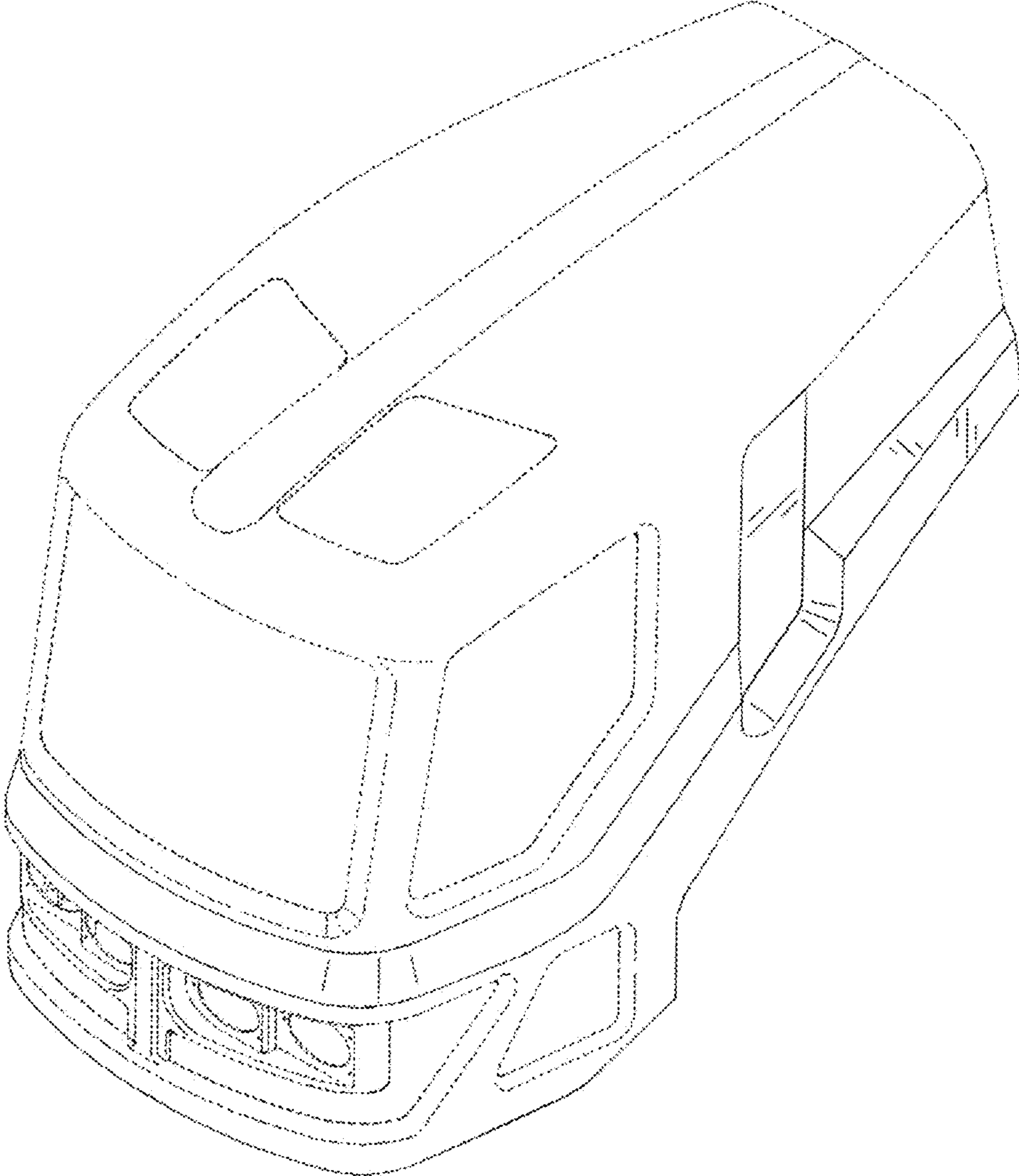


FIG. 1

FIG. 2

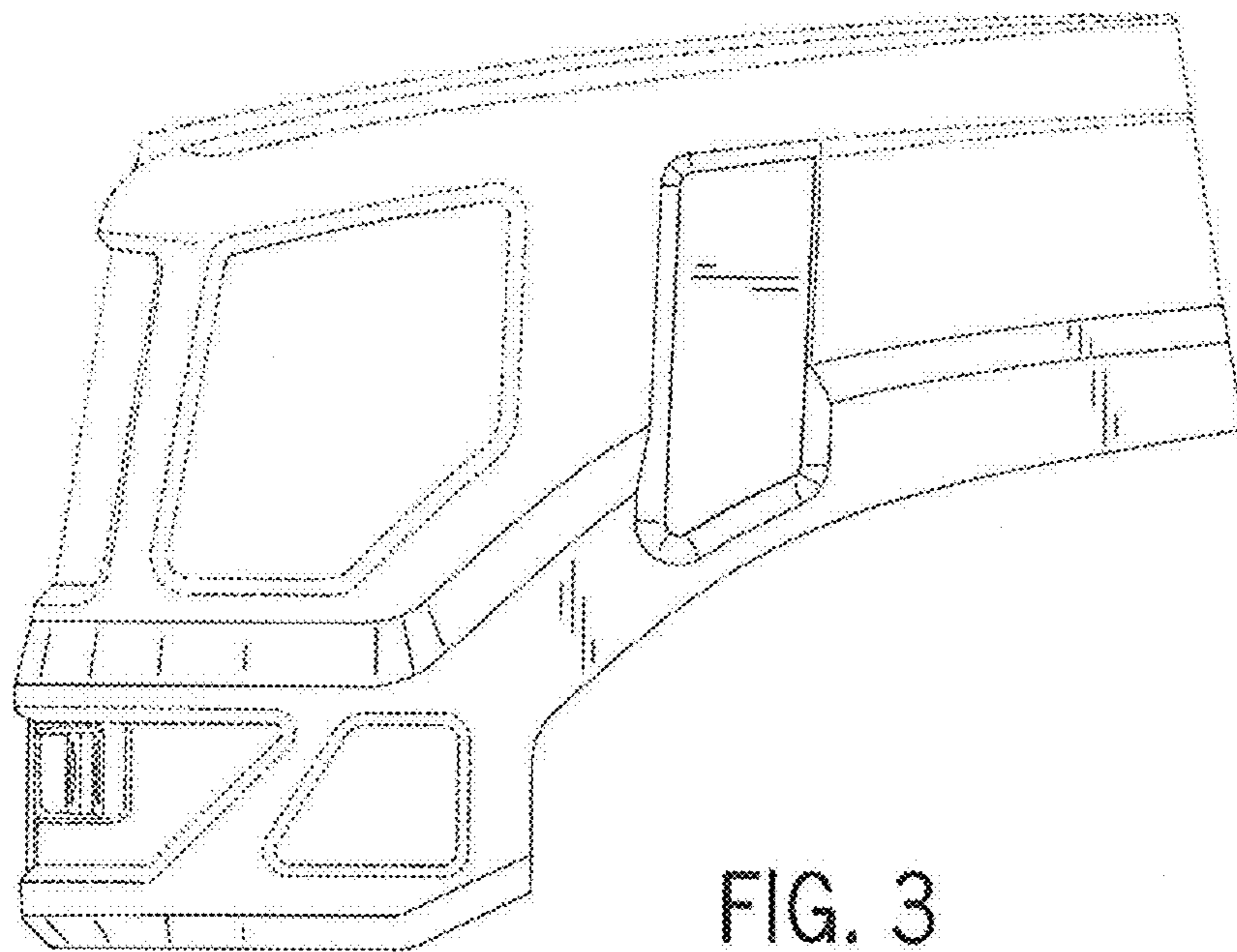
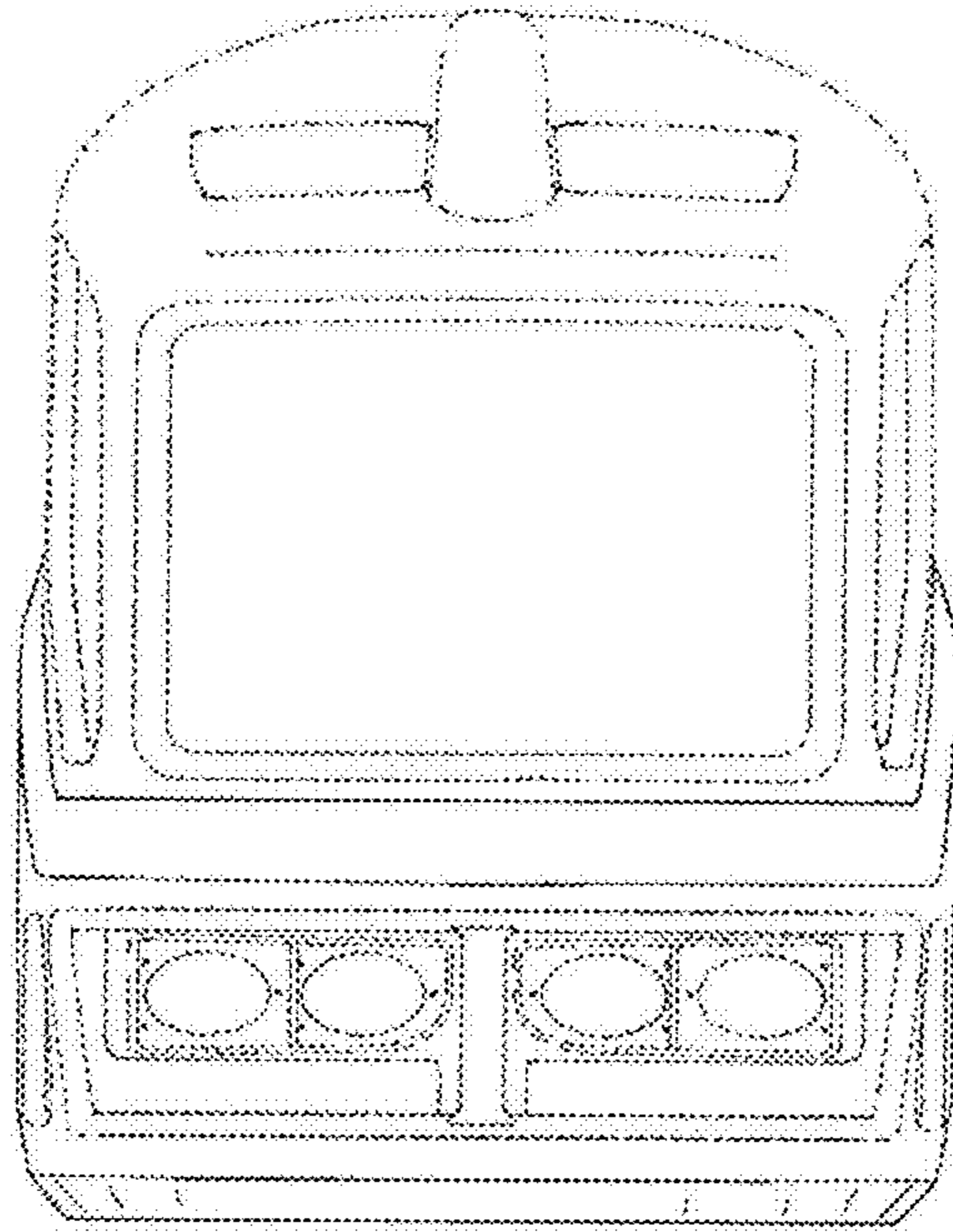


FIG. 3

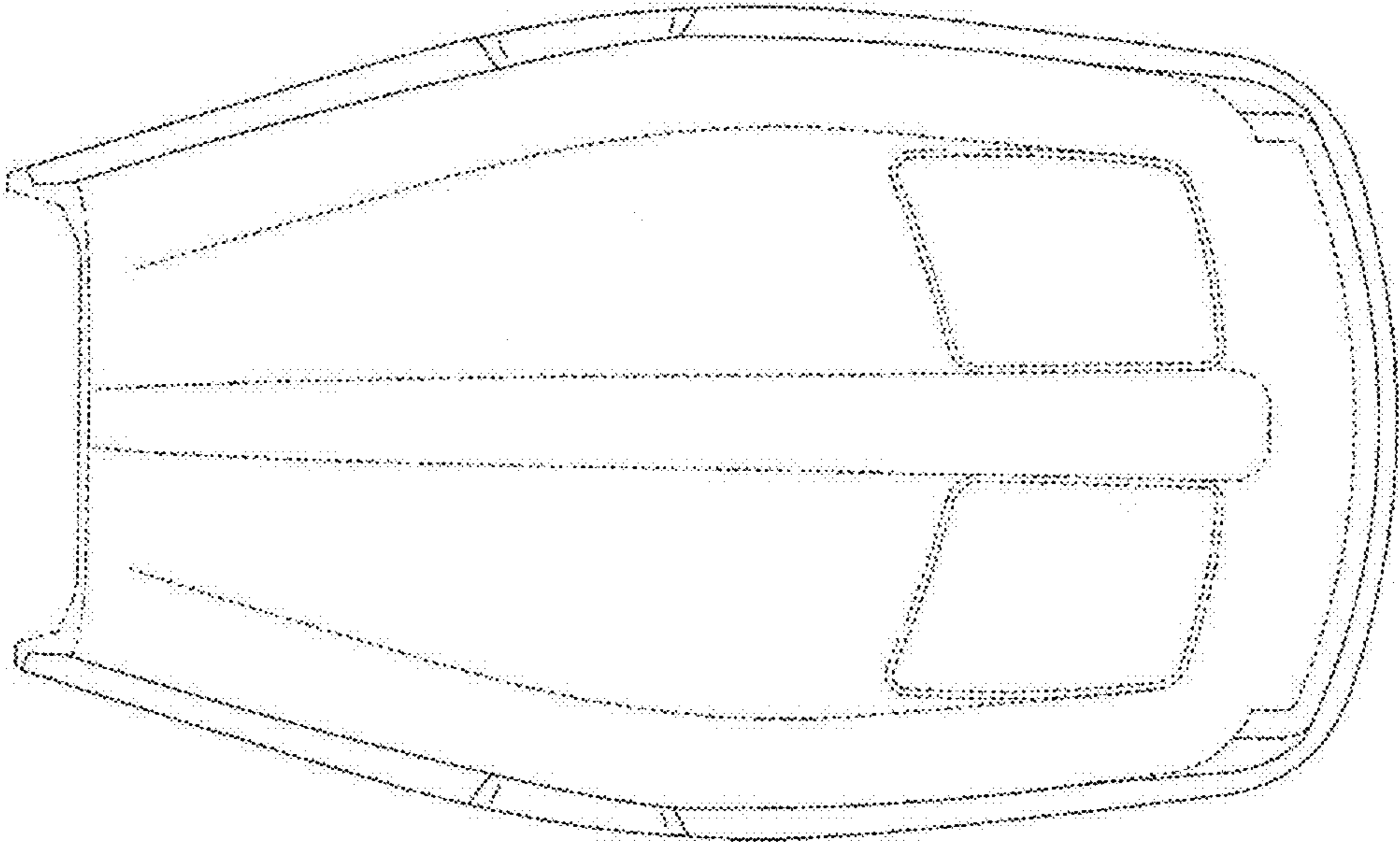


FIG. 4

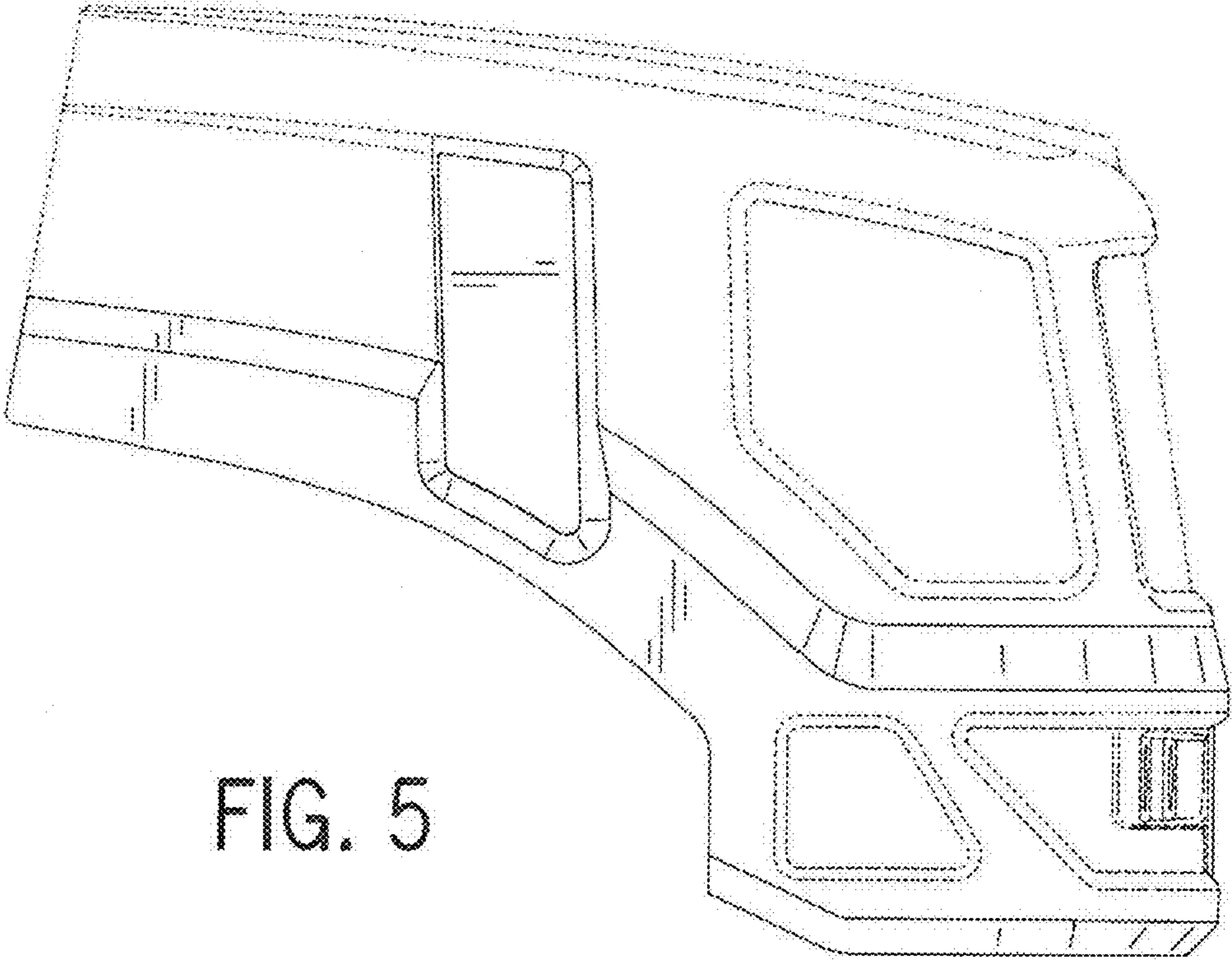


FIG. 5