



US00D777216S

(12) **United States Design Patent**
Allemeier et al.

(10) **Patent No.:** **US D777,216 S**
(45) **Date of Patent:** **** Jan. 24, 2017**

(54) **BATTERY BOX FOR AN AGRICULTURAL VEHICLE**

(71) Applicant: **Deere & Company**, Moline, IL (US)

(72) Inventors: **Tom Allemeier**, München (DE);
Florian Teubner, München (DE)

(73) Assignee: **DEERE & COMPANY**, Moline, IL (US)

(**) Term: **15 Years**

(21) Appl. No.: **29/539,612**

(22) Filed: **Sep. 16, 2015**

(51) **LOC (10) Cl.** **15-03**

(52) **U.S. Cl.**
USPC **D15/28**

(58) **Field of Classification Search**
USPC D15/10, 22-28; D13/119; 180/68.5;
296/37.1; 280/164.1
CPC B60R 16/04; B60R 16/00; H01M 2/1094
See application file for complete search history.

(56) **References Cited**

U.S. PATENT DOCUMENTS

D252,354 S *	7/1979	Uyeda	D13/104
4,723,618 A *	2/1988	Coonradt	H01M 2/1083
				180/68.5
5,547,036 A *	8/1996	Gawaskar	B60R 16/04
				180/68.5
D438,877 S *	3/2001	Gukeisen	D15/28

D440,984 S *	4/2001	Norfleet	D15/28
6,340,191 B1 *	1/2002	Brady	B60R 3/00
				280/164.1
D470,104 S *	2/2003	Owen	D13/119
D495,878 S *	9/2004	Greene	224/410
D566,134 S *	4/2008	Ito	D15/11
D588,061 S *	3/2009	Bao	D13/122
D602,862 S *	10/2009	Reed	D13/119
7,722,066 B2 *	5/2010	O'Bireck	B60K 1/04
				280/163
D678,918 S *	3/2013	Hagura	D15/28
D708,233 S *	7/2014	Furuki	D15/28
D720,780 S *	1/2015	Chlystek	D15/28

* cited by examiner

Primary Examiner — Mark Goodwin

(57) **CLAIM**

The ornamental design for a battery box for an agricultural vehicle, as shown and described.

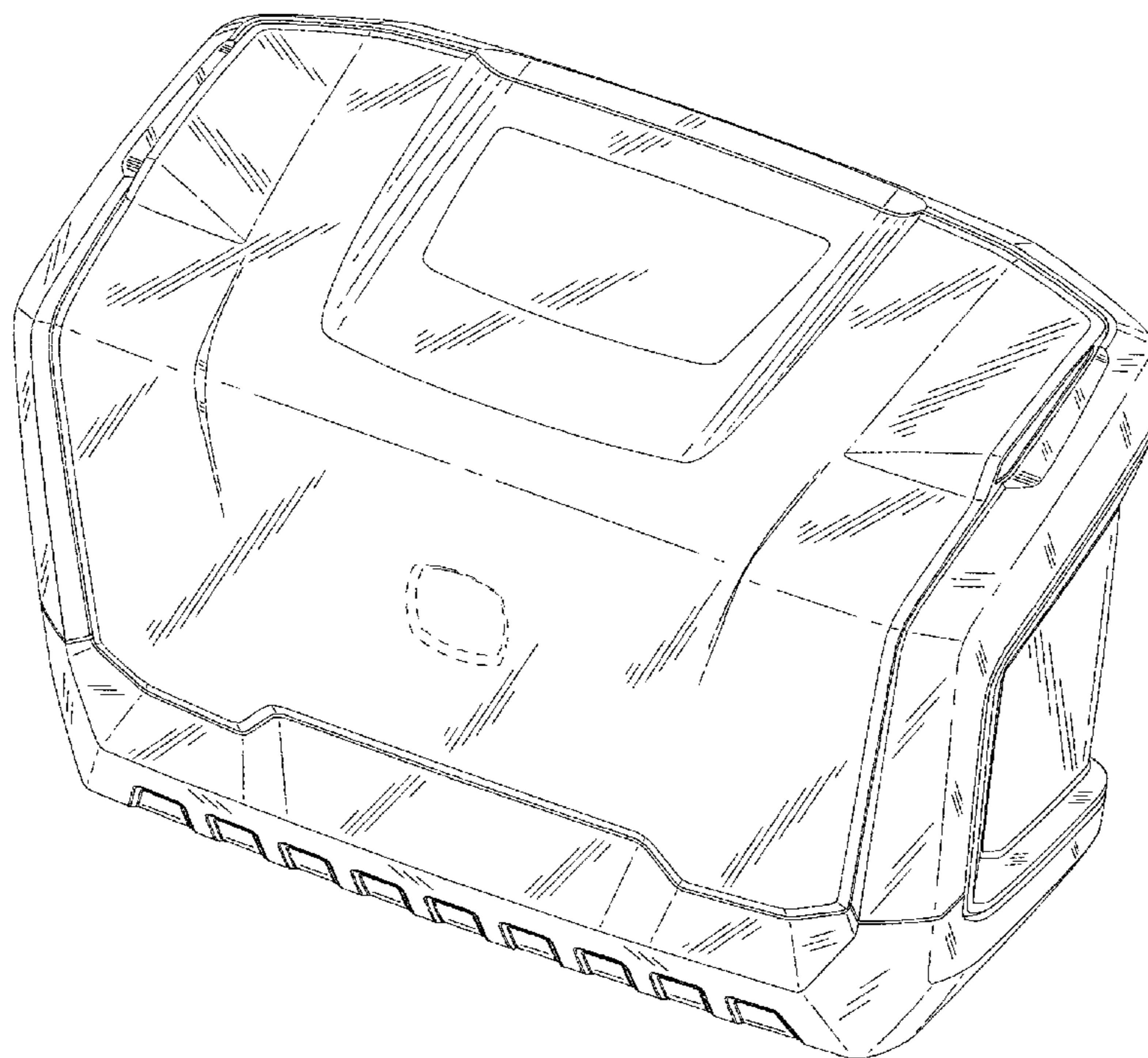
DESCRIPTION

FIG. 1 is a top perspective view of a battery box for an agricultural vehicle embodying our new design;
FIG. 2 is a rear perspective view thereof;
FIG. 3 is a front view thereof;
FIG. 4 is a side view thereof; and,
FIG. 5 is a rear view thereof.

The broken line representations in the figures show unclaimed environment or boundaries, and thus form no part of the claimed design.

The nature of this product is a battery box for an agricultural vehicle, such as a tractor.

1 Claim, 5 Drawing Sheets



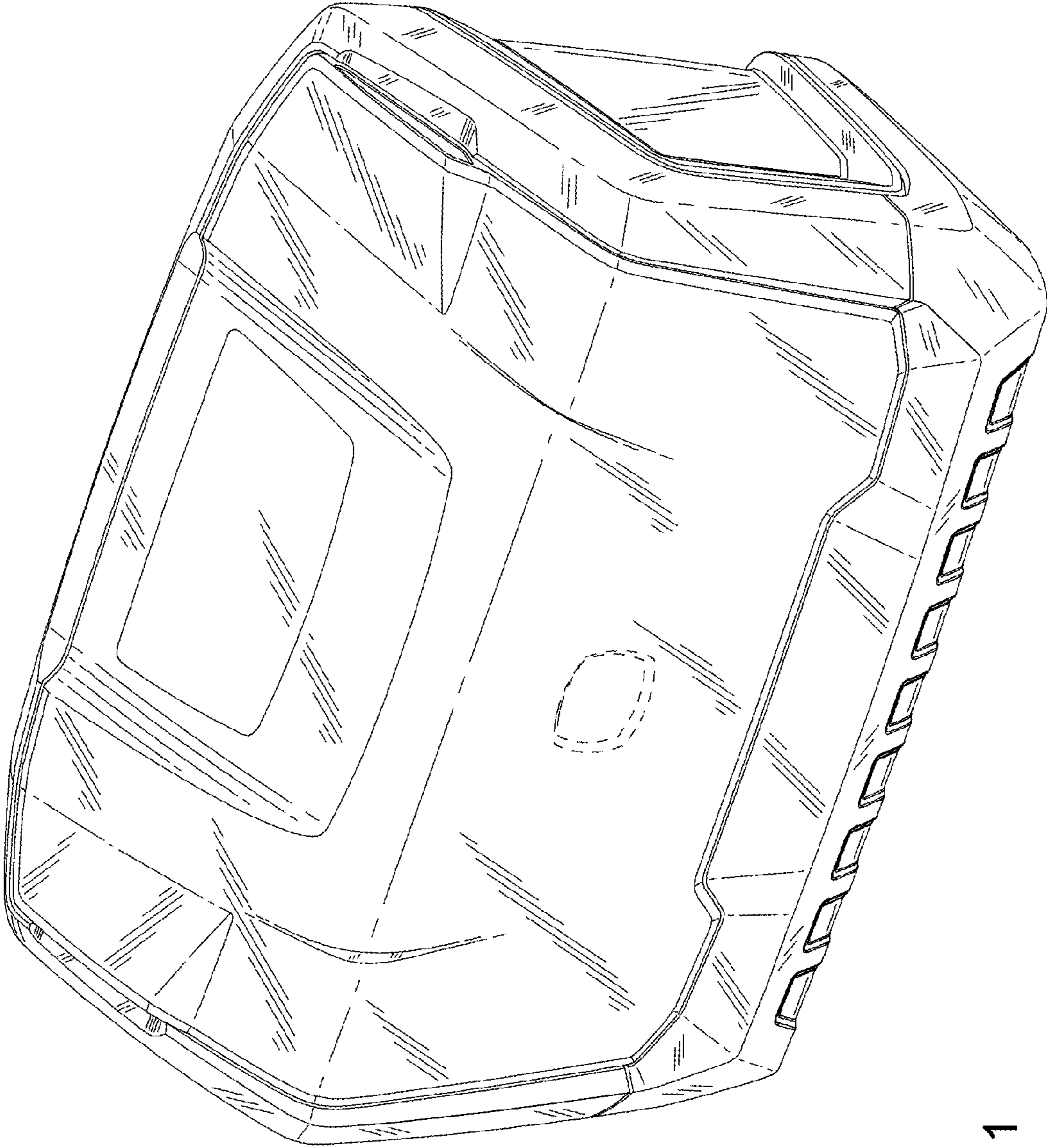


FIG. 1

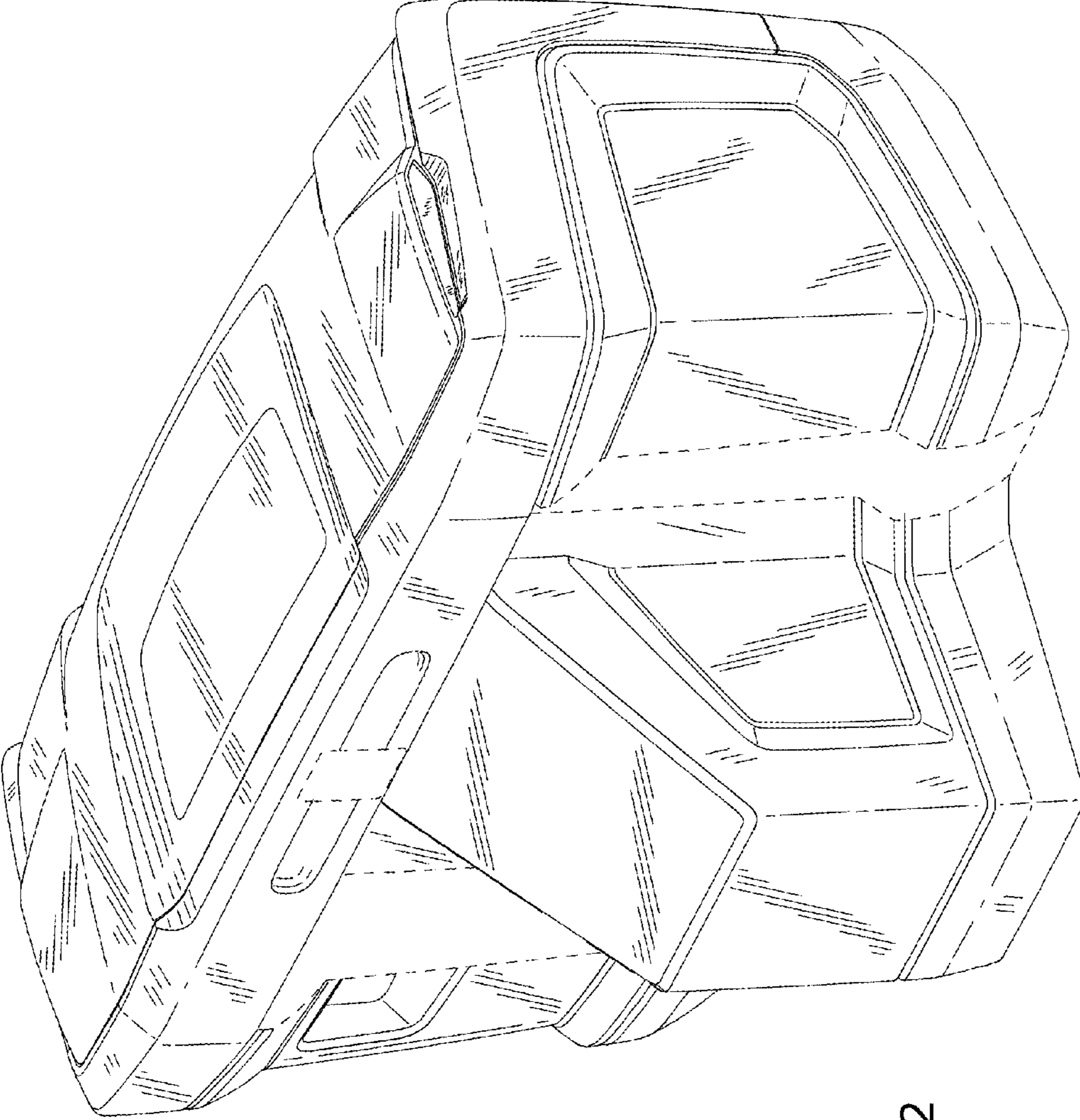


FIG. 2

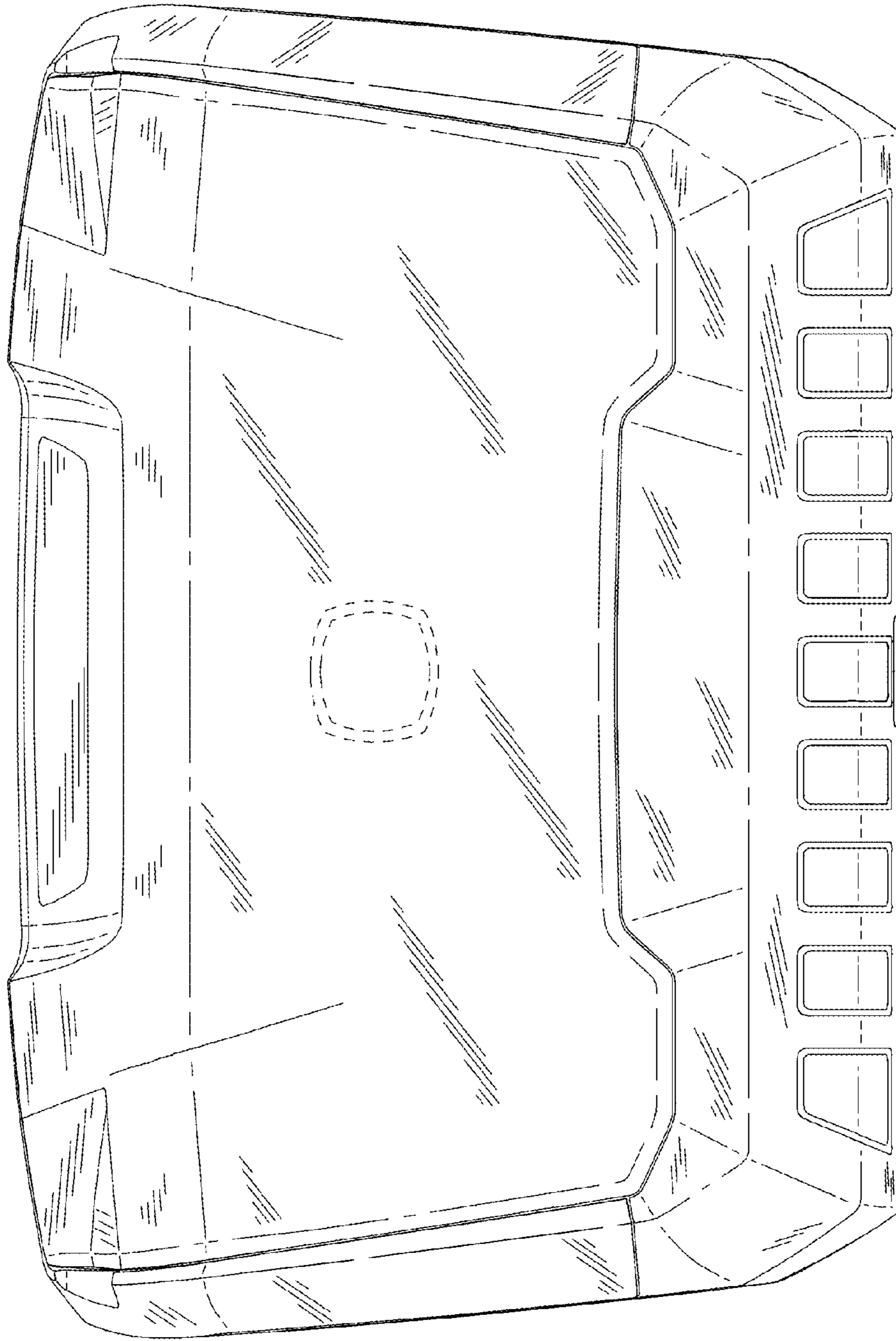
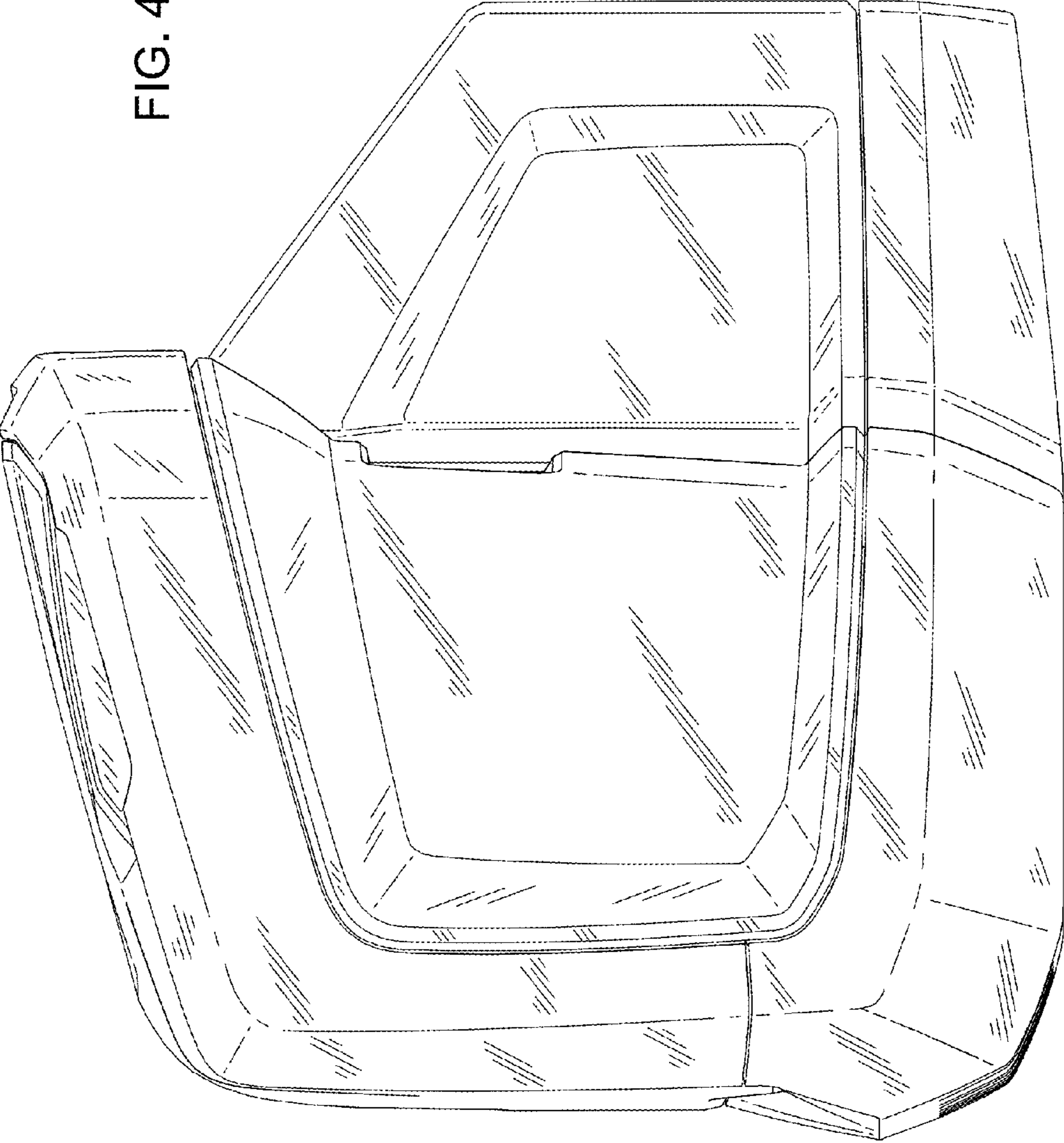


FIG. 3

FIG. 4



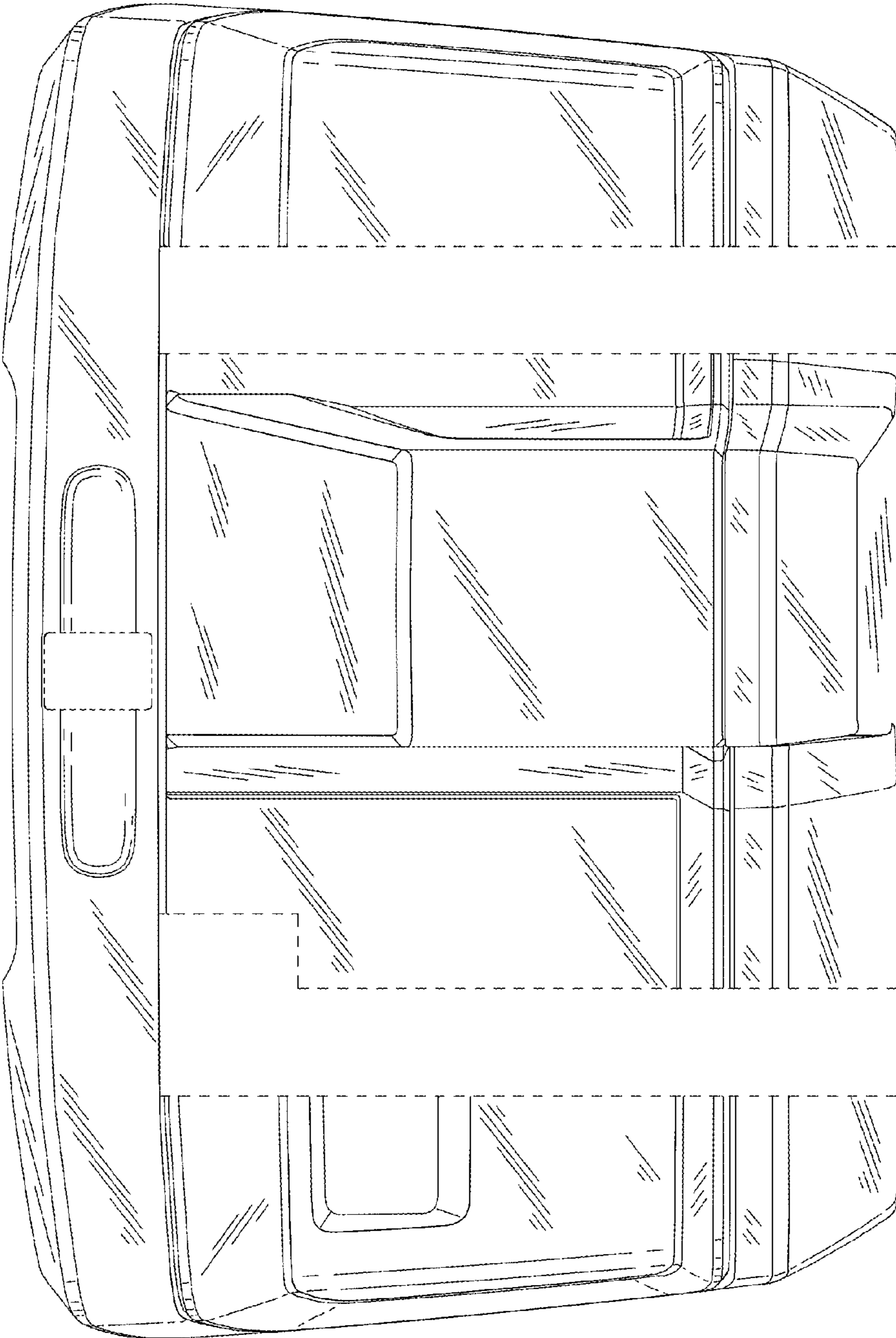


FIG. 5