



US00D777214S

(12) **United States Design Patent**  
**Moritaka et al.**

(10) **Patent No.:** **US D777,214 S**

(45) **Date of Patent:** **\*\* Jan. 24, 2017**

(54) **TRACTOR**

CPC ..... A01B 51/026; B62D 49/02; B62D 33/06;  
B62D 33/0604; B62D 33/0617; B62D

(71) Applicant: **mitsubishi agricultural**  
**MACHINERY CO., LTD.,**  
Shimane-Prefecture (JP)

25/10; B60K 15/063; B60K  
15/073; B60K 2015/0637

See application file for complete search history.

(72) Inventors: **Yoshiyuki Moritaka,**  
Shimane-Prefecture (JP); **Yukihiro**  
**Komatsu,** Shimane-Prefecture (JP);  
**Hiromu Kadowaki,** Shimane-Prefecture  
(JP); **Koji Nakashima,**  
Shimane-Prefecture (JP); **Satoshi**  
**Tamura,** Shimane-Prefecture (JP);  
**Yasuhiro Kodama,** Shimane-Prefecture  
(JP); **Keiichi Baba,** Shimane-Prefecture  
(JP); **Toshinobu Watanabe,**  
Shimane-Prefecture (JP); **Kenshiro**  
**Yakushiji,** Shimane-Prefecture (JP);  
**Hiroataka Yato,** Shimane-Prefecture  
(JP); **Akira Kurisu,** Shimane-Prefecture  
(JP)

(56)

**References Cited**

U.S. PATENT DOCUMENTS

D419,164 S *	1/2000	Heiler .....	D12/163
D438,546 S *	3/2001	Katoh .....	D15/23
D440,234 S *	4/2001	Katoh .....	D15/23
D498,245 S *	11/2004	Kuwae .....	D15/23
D501,487 S *	2/2005	Katoh .....	D15/23
D519,130 S *	4/2006	Higashikawa .....	D15/23
D519,131 S *	4/2006	Kuwae .....	D15/23
D526,335 S *	8/2006	Kuwae .....	D15/23
D527,026 S *	8/2006	Kuwae .....	D15/23
D537,454 S *	2/2007	Higashikawa .....	D15/23

(Continued)

FOREIGN PATENT DOCUMENTS

JP	1204214	5/2004
JP	1465382	3/2013

*Primary Examiner* — Mark Goodwin

(74) *Attorney, Agent, or Firm* — Wenderoth, Lind &  
Ponack, L.L.P.

(73) Assignee: **Mitsubishi Mahindra Agricultural**  
**Machinery Co., Ltd.,** Shimane  
Prefecture (JP)

(\*\*) Term: **15 Years**

(21) Appl. No.: **29/534,161**

(22) Filed: **Jul. 27, 2015**

(30) **Foreign Application Priority Data**

Jan. 29, 2015 (JP) ..... 2015-001573

(51) **LOC (10) Cl.** ..... **15-03**

(52) **U.S. Cl.**  
USPC ..... **D15/26; D15/23**

(58) **Field of Classification Search**  
USPC ..... D15/10, 14, 15, 22-26, 33; 180/69.2,  
180/89.1, 89.12, 900; 56/12.7, 15.8, 16.7,  
56/13.3, 10.1, 202, 320.1

(57)

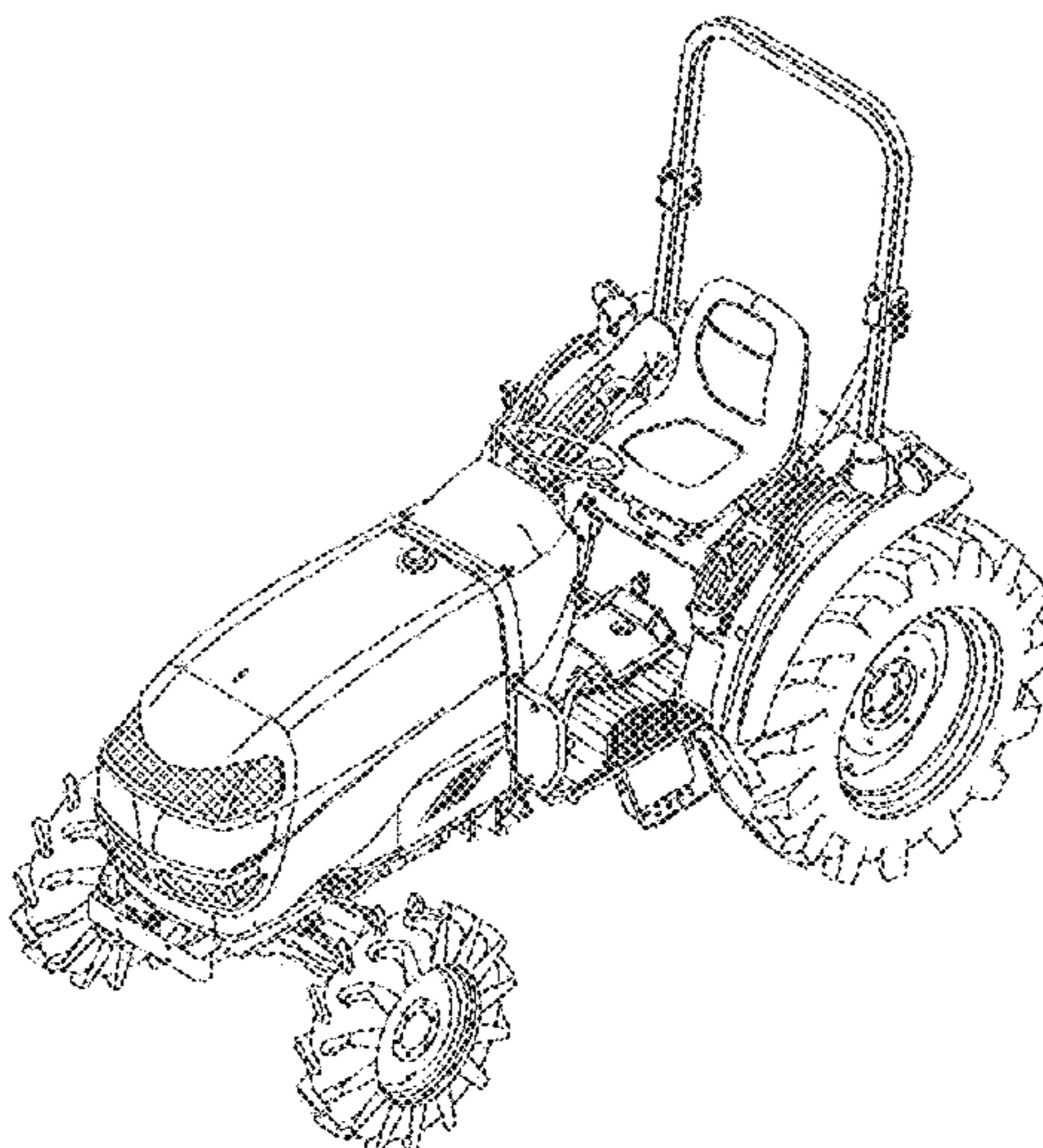
**CLAIM**

The ornamental design for a tractor, as shown and described.

**DESCRIPTION**

FIG. 1 is a front view of the tractor showing our new design;  
FIG. 2 is a back view of the tractor;  
FIG. 3 is left side view of the tractor;  
FIG. 4 is a right side view of the tractor;  
FIG. 5 is a top view of the tractor; and,  
FIG. 6 is a perspective view of the tractor.

**1 Claim, 6 Drawing Sheets**



(56)

## References Cited

## U.S. PATENT DOCUMENTS

D547,333	S	*	7/2007	Nishi	.....	D15/15
D553,159	S	*	10/2007	Higashikawa	.....	D15/15
D553,161	S	*	10/2007	Matsumoto	.....	D15/17
D555,674	S	*	11/2007	Kuwae	.....	D15/23
D558,797	S	*	1/2008	Yamamoto	.....	D15/23
D564,544	S	*	3/2008	Higashikawa	.....	D15/23
D581,953	S	*	12/2008	Matsumoto	.....	D15/15
D599,826	S	*	9/2009	Kuwae	.....	D15/23
D600,255	S	*	9/2009	Kushita	.....	D15/23
D602,047	S	*	10/2009	Kushita	.....	D15/23
D605,668	S	*	12/2009	Matsumoto	.....	D15/23
D613,313	S	*	4/2010	Bhanuprakash	.....	D15/23
D641,027	S	*	7/2011	Kawashiri	.....	D15/23
D674,819	S	*	1/2013	Hagele	.....	D15/23
D678,353	S	*	3/2013	Kakudate	.....	D15/23
D692,463	S	*	10/2013	Matsui	.....	D15/23
D693,374	S	*	11/2013	Chlystek	.....	D15/23
D693,375	S	*	11/2013	Chlystek	.....	D15/23
D693,376	S	*	11/2013	Chlystek	.....	D15/28
D697,536	S	*	1/2014	Nuebel	.....	D15/23
D703,699	S	*	4/2014	Shimomura	.....	D15/23
D706,837	S	*	6/2014	Takagi	.....	D15/23
D710,911	S	*	8/2014	Iwata	.....	D15/23
D717,838	S	*	11/2014	Kuwae	.....	D15/23
D720,369	S	*	12/2014	Furukawa	.....	D15/23
D729,851	S	*	5/2015	Kushita	.....	D15/23
D747,363	S	*	1/2016	Okuyama	.....	D15/22
D748,677	S	*	2/2016	Kushita	.....	D15/26
D749,144	S	*	2/2016	Higashikawa	.....	D15/23
D749,645	S	*	2/2016	Okuyama	.....	D15/26
D752,650	S	*	3/2016	Margutti	.....	D15/23
D756,421	S	*	5/2016	Okuyama	.....	D15/26
D759,128	S	*	6/2016	Yang	.....	D15/23
D759,730	S	*	6/2016	Okuyama	.....	D15/26

\* cited by examiner

FIG. 1

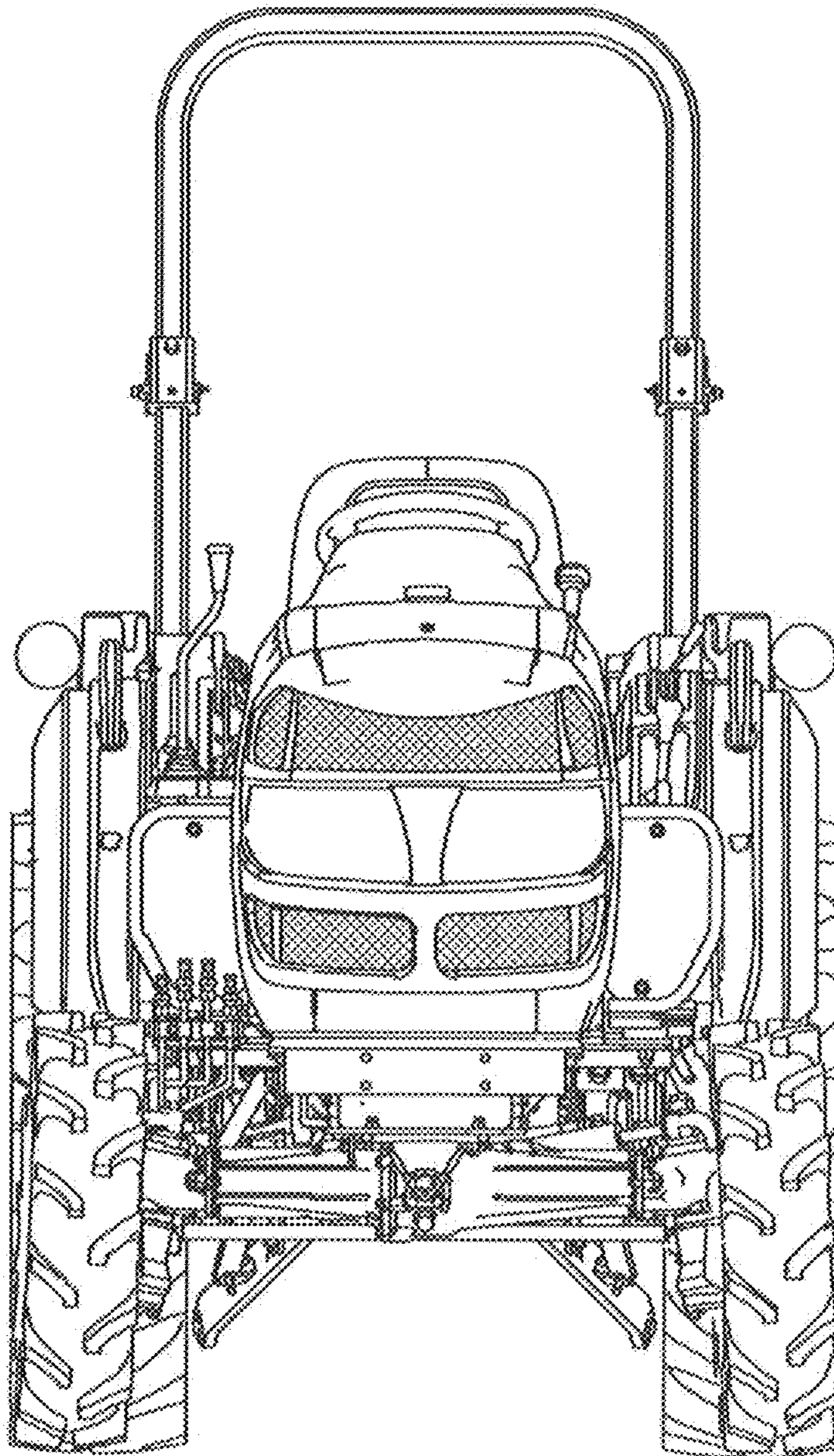


FIG.2

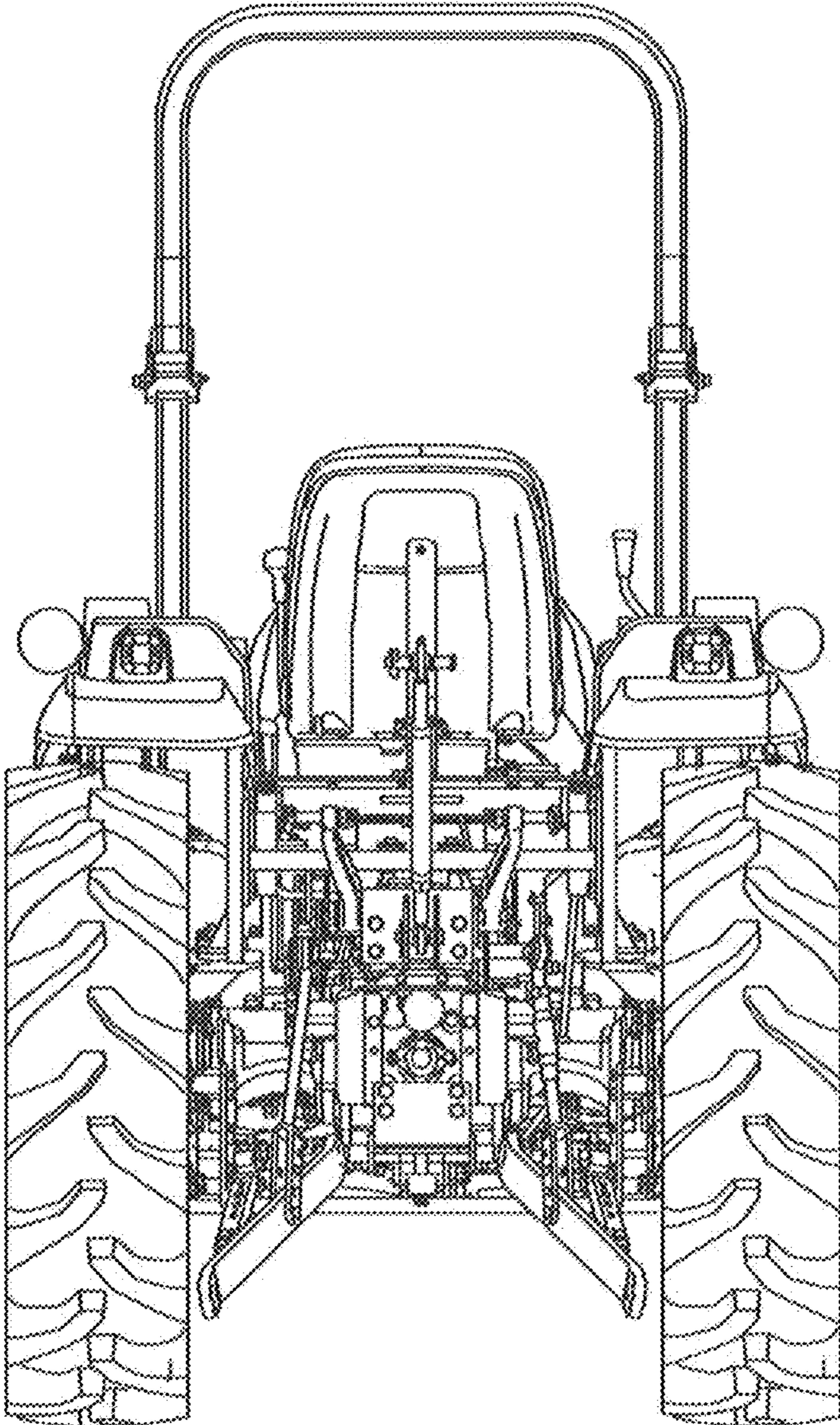


FIG.3

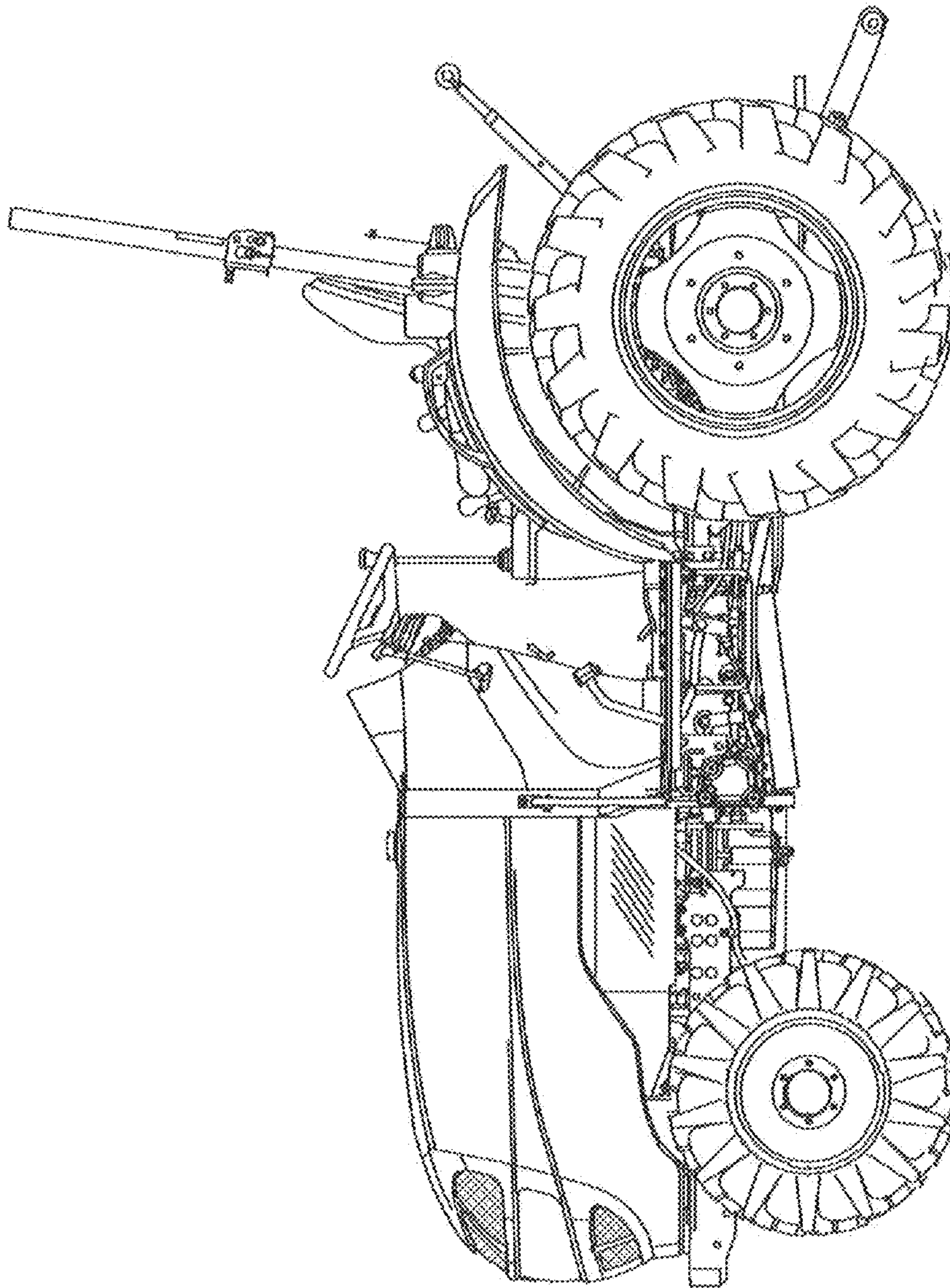


FIG.4

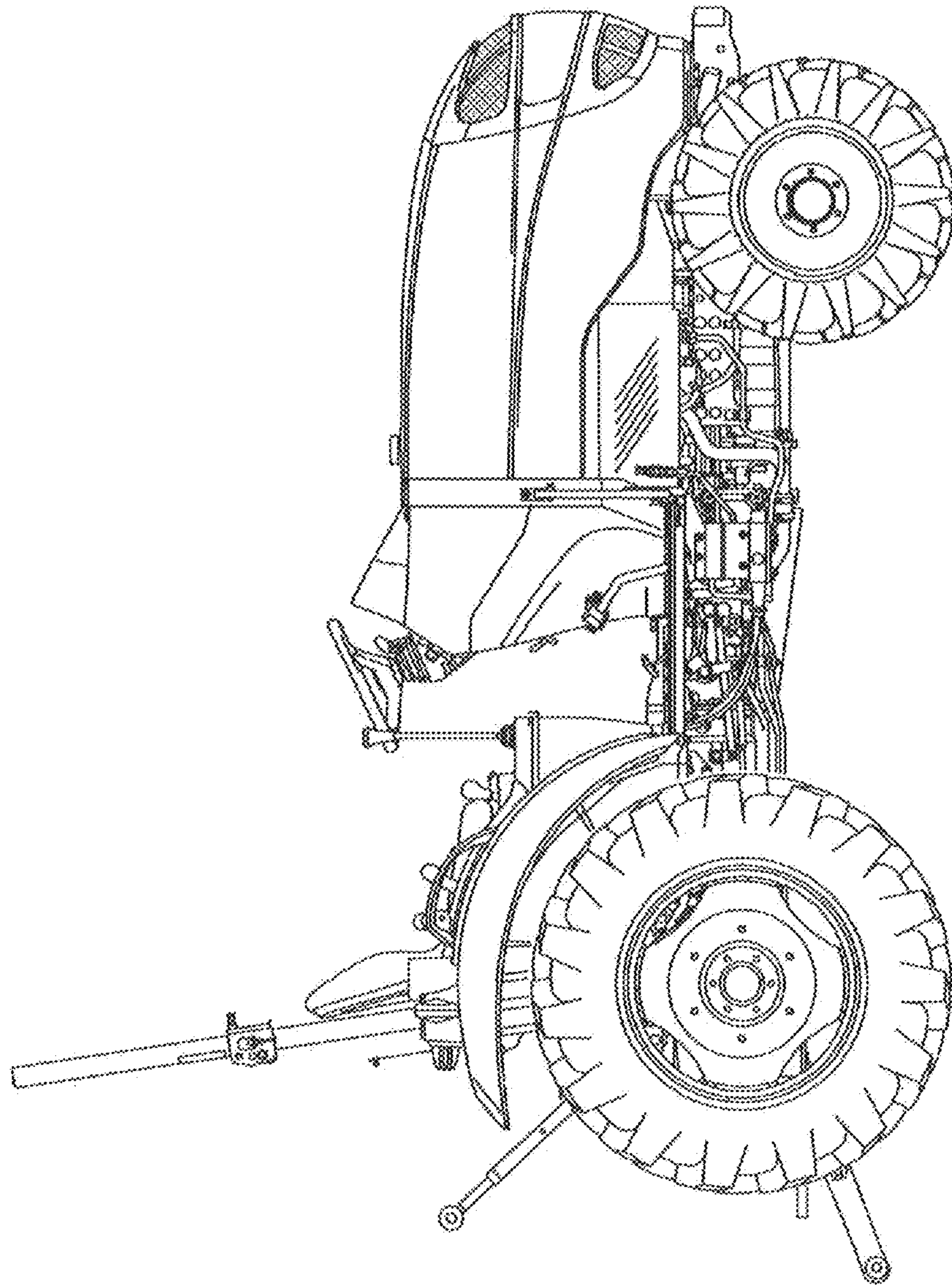


FIG. 5

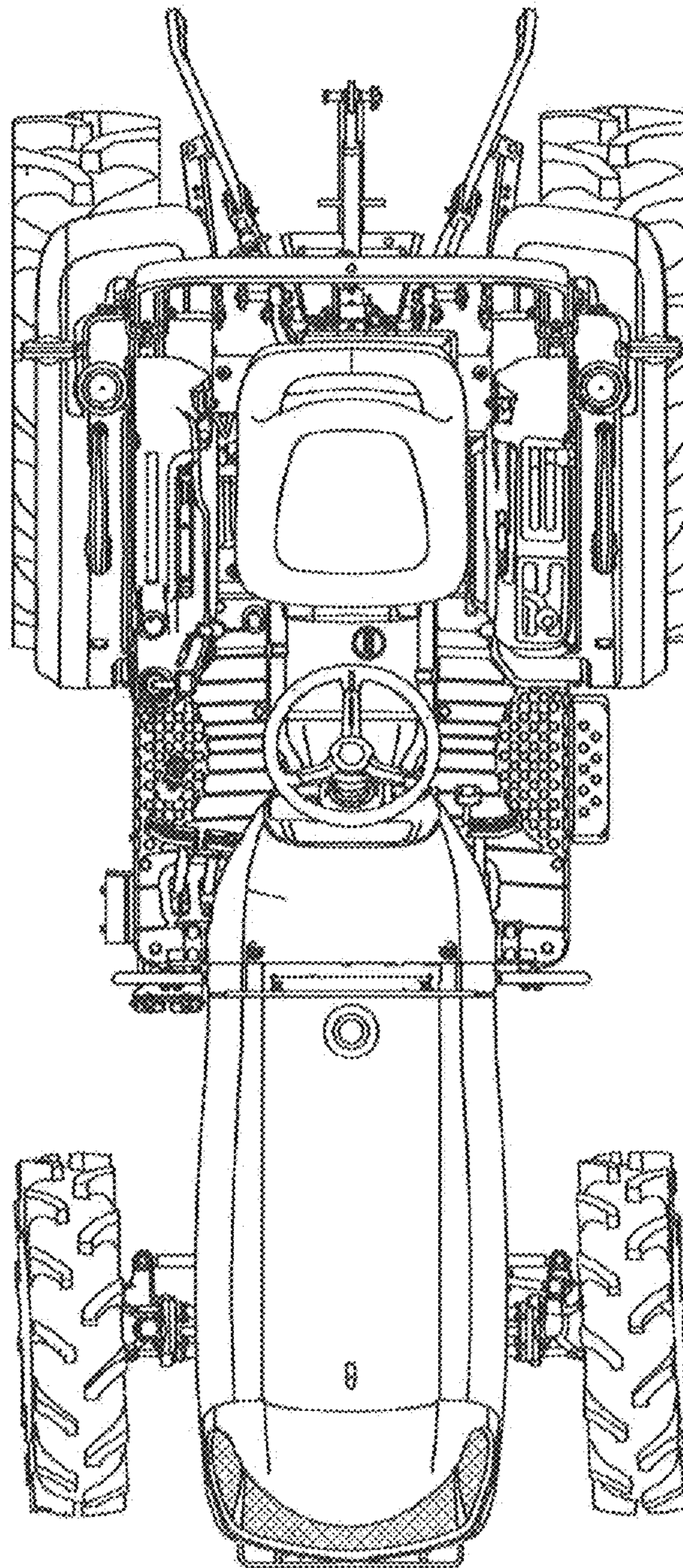


FIG.6

