



US00D777213S

(12) **United States Design Patent** (10) **Patent No.:** **US D777,213 S**
Ohser (45) **Date of Patent:** **** Jan. 24, 2017**

(54) **COMPRESSOR**

(71) Applicant: **Klaus Ohser**, Wiedemar OT Kyhna (DE)

(72) Inventor: **Klaus Ohser**, Wiedemar OT Kyhna (DE)

(73) Assignee: **BITZER Kuehlmaschinenbau GmbH**, Sindelfingen (DE)

(**) Term: **14 Years**

(21) Appl. No.: **29/524,650**

(22) Filed: **Apr. 22, 2015**

Related U.S. Application Data

(62) Division of application No. 29/466,228, filed on Sep. 5, 2013, now Pat. No. Des. 733,764.

Foreign Application Priority Data

(30) Mar. 8, 2013 (EM) 002198689
Mar. 8, 2013 (EM) 002198689-0001
Mar. 8, 2013 (EM) 002198689-0002
Mar. 8, 2013 (EM) 002198689-0003
Mar. 8, 2013 (EM) 002198689-0004

(51) **LOC (10) Cl.** **15-02**

(52) **U.S. Cl.**
USPC **D15/9**

(58) **Field of Classification Search**
USPC D15/7-9; D23/231, 232, 225; 417/60, 417/235, 265, 321, 355, 358, 363, 359, 417/410.1, 415-416, 405, 900, 231, 313, 417/273, 539; 60/408, 412; 184/26-37; 415/140-147; 123/495, 509; 418/259

(Continued)

(56) **References Cited**

U.S. PATENT DOCUMENTS

D394,068 S 5/1998 Pollich et al.
D466,522 S * 12/2002 Huang D15/7
(Continued)

Primary Examiner — Ralf Seifert

(74) *Attorney, Agent, or Firm* — Reinhart Boerner Van Deuren P.C.

(57) **CLAIM**

I claim the ornamental design for a compressor, as shown and described.

DESCRIPTION

The design application contains at least one drawing executed in color. Copies of this design application publication with color drawings will be provided by the Office upon request and payment of the necessary fee.

FIG. 1 is a perspective view from the front and left hand side of a compressor according to a first embodiment:

FIG. 2 is a front view of FIG. 1;

FIG. 3 is a left side view of FIG. 1;

FIG. 4 is a right view of FIG. 1;

FIG. 5 is a rear view of FIG. 1;

FIG. 6 is a top view of FIG. 1;

FIG. 7 is a bottom view of FIG. 1;

FIG. 8 is a perspective view from the front and left hand side of a compressor employing green color according to a second embodiment;

FIG. 9 is a front view of FIG. 8;

FIG. 10 is a left side view of FIG. 8;

FIG. 11 is a right view of FIG. 8;

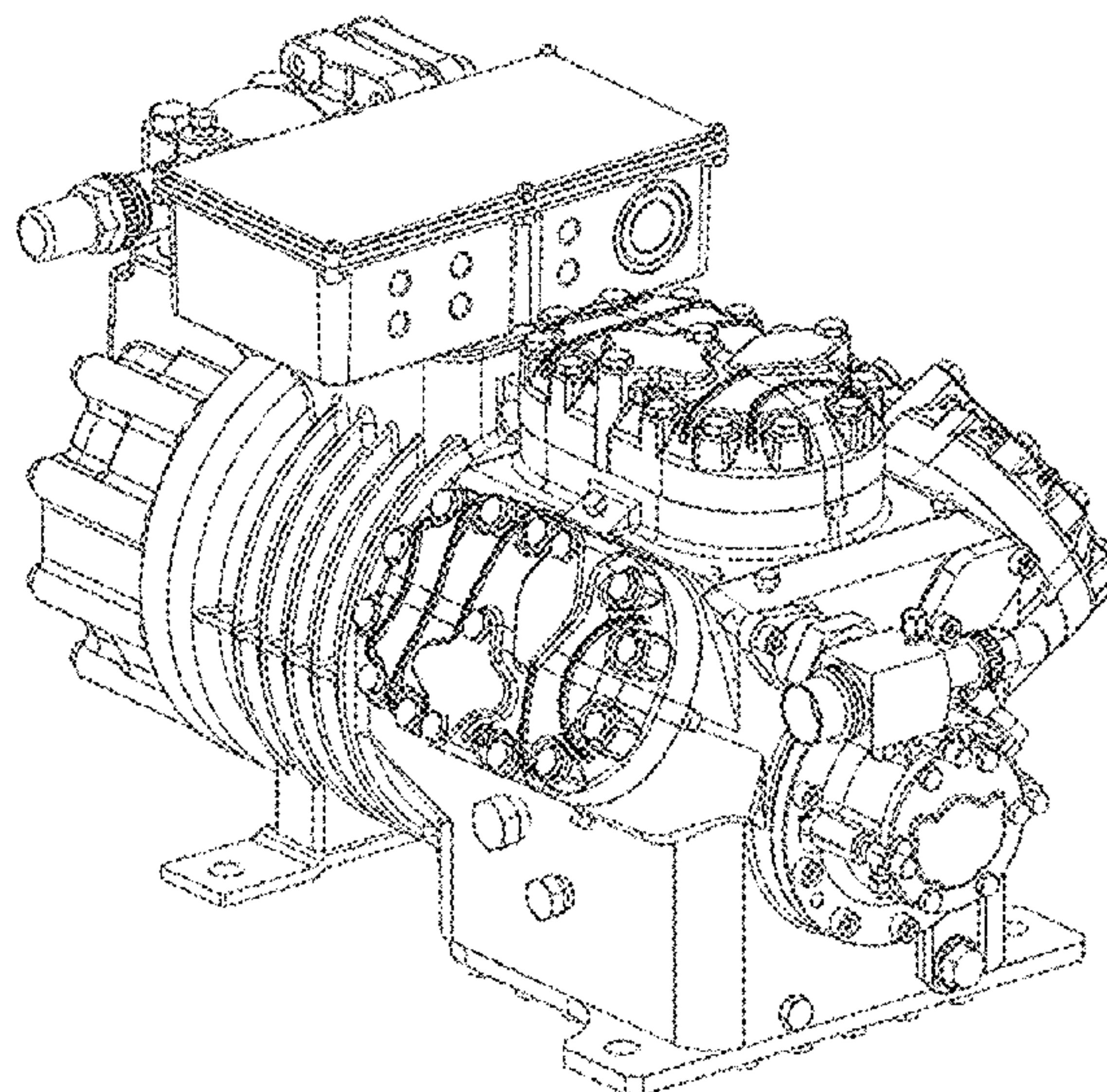
FIG. 12 is a rear view of FIG. 8;

FIG. 13 is a top view of FIG. 8; and,

FIG. 14 is a bottom view of FIG. 8.

Broken lines are included for the purpose of illustrating portions of the compressor that form no part of the claimed design.

1 Claim, 14 Drawing Sheets
(7 of 14 Drawing Sheet(s) Filed in Color)



(58) **Field of Classification Search**

CPC F01B 3/00; F01B 13/04; F01B 1/26;
F04B 1/12; F04B 39/124; F04B 27/08

See application file for complete search history.

(56) **References Cited**

U.S. PATENT DOCUMENTS

D467,254 S	12/2002	Ullrich	
D479,247 S	9/2003	Ullrich	
D499,745 S	12/2004	Hsiao	
D512,442 S *	12/2005	Moser, III	D15/9
D518,068 S	3/2006	Rodopoulos	
D531,194 S	10/2006	Hertenstein et al.	
D538,826 S	3/2007	Kienzle	
D573,159 S	7/2008	Etter	
D595,748 S	7/2009	Kratschmer	
D614,673 S	4/2010	Chen	
D619,624 S	7/2010	Iwagoshi et al.	
D656,518 S	3/2012	Varini	
D684,197 S	6/2013	Kienzle et al.	
D690,324 S	9/2013	Kienzle et al.	
D709,524 S	7/2014	Ohser et al.	
D717,344 S	11/2014	Ohser et al.	
D720,778 S *	1/2015	Lim	D15/9
D732,641 S	6/2015	Hermann	
D733,764 S *	7/2015	Ohser	D15/9
D745,896 S *	12/2015	Ohser	D15/9

* cited by examiner

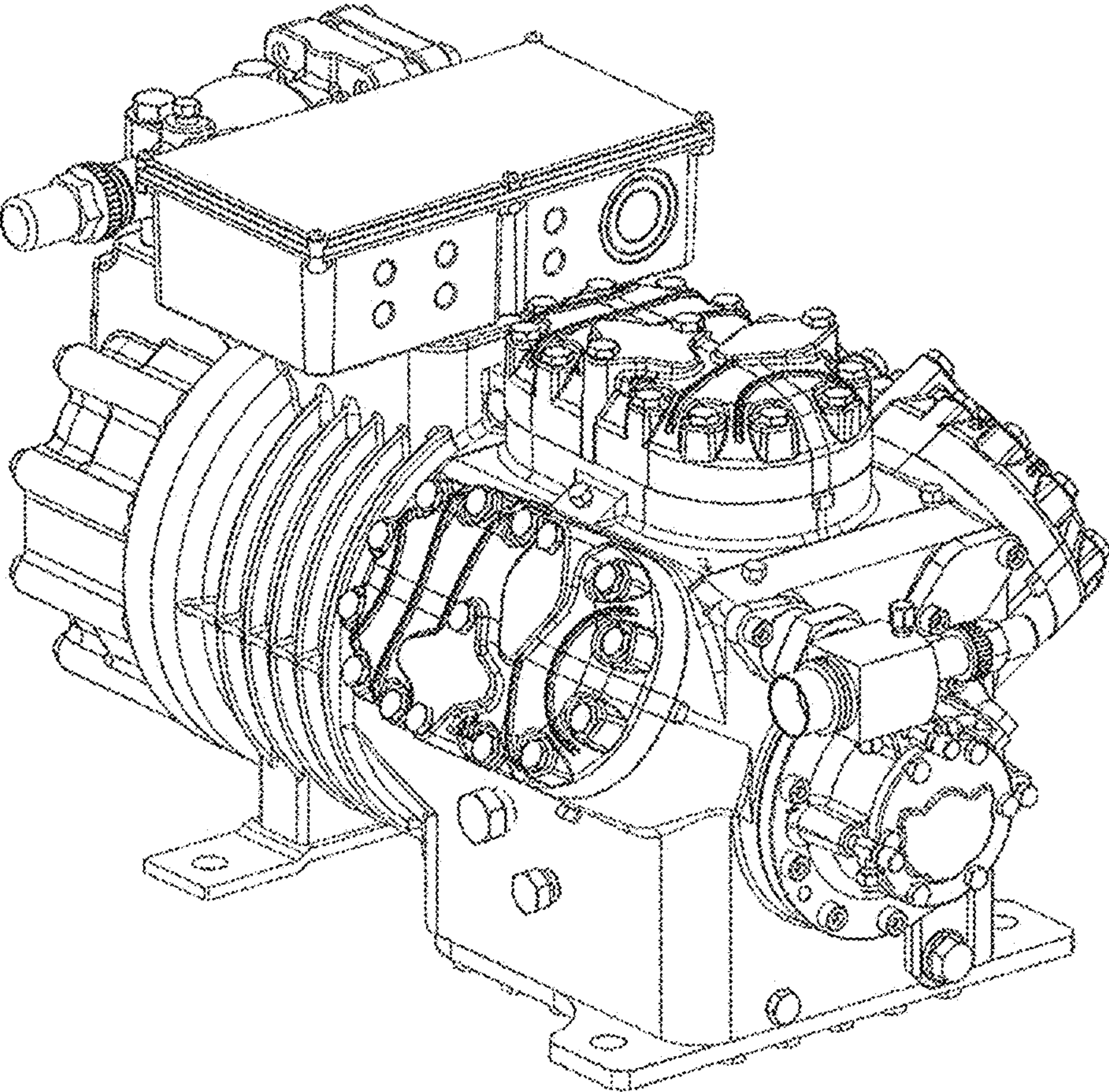


FIG. 1

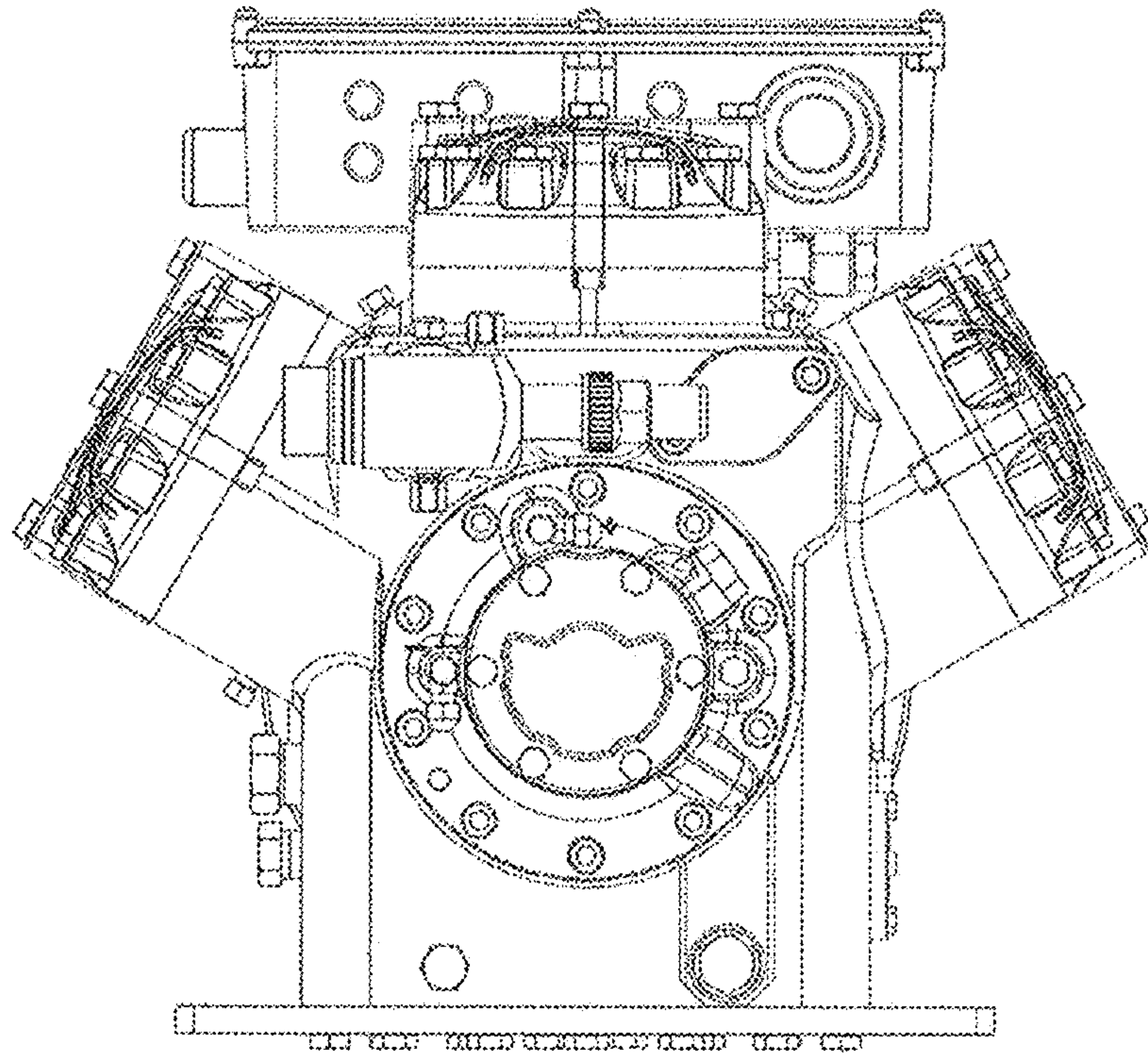


FIG. 2

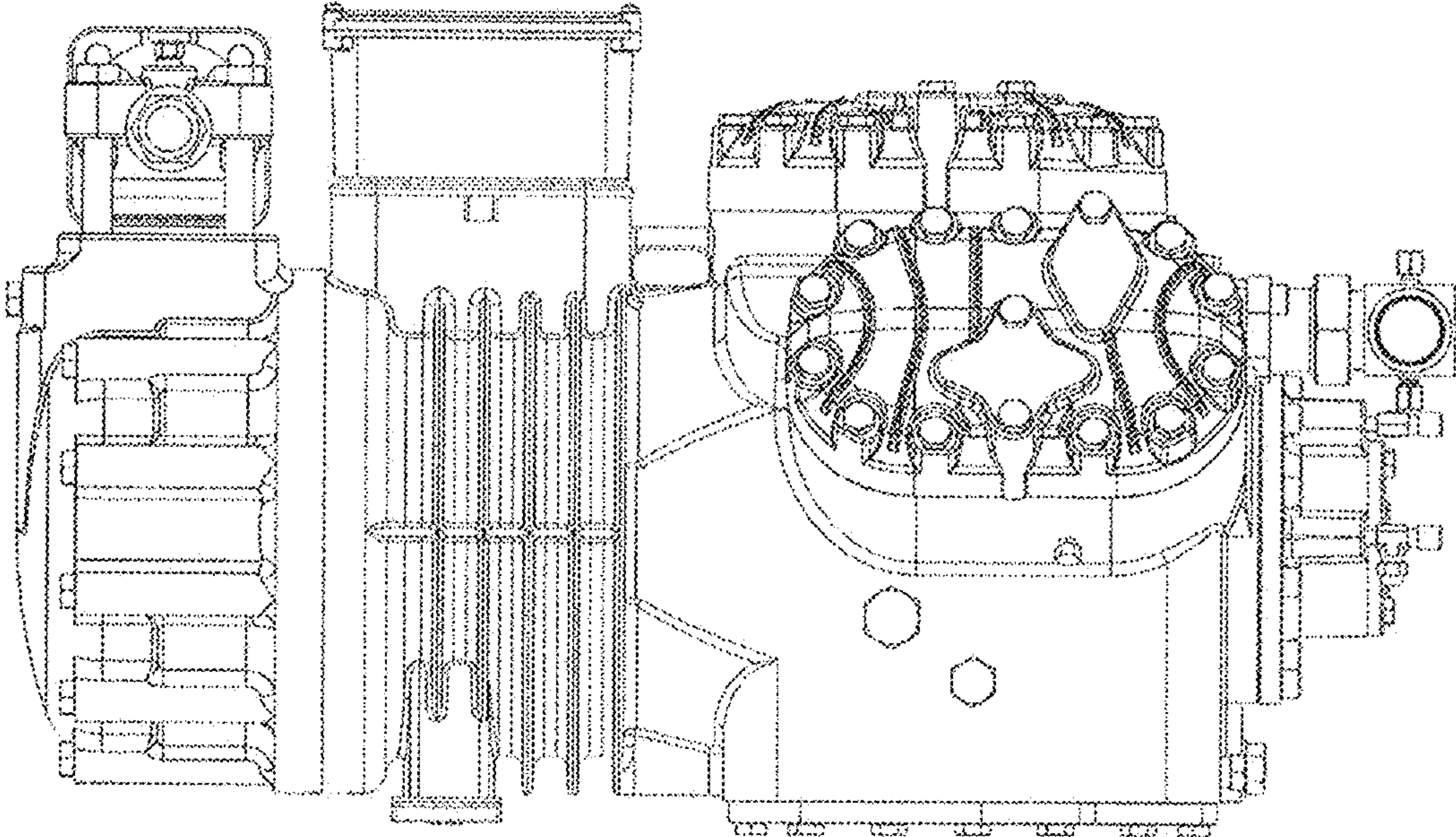


FIG. 3

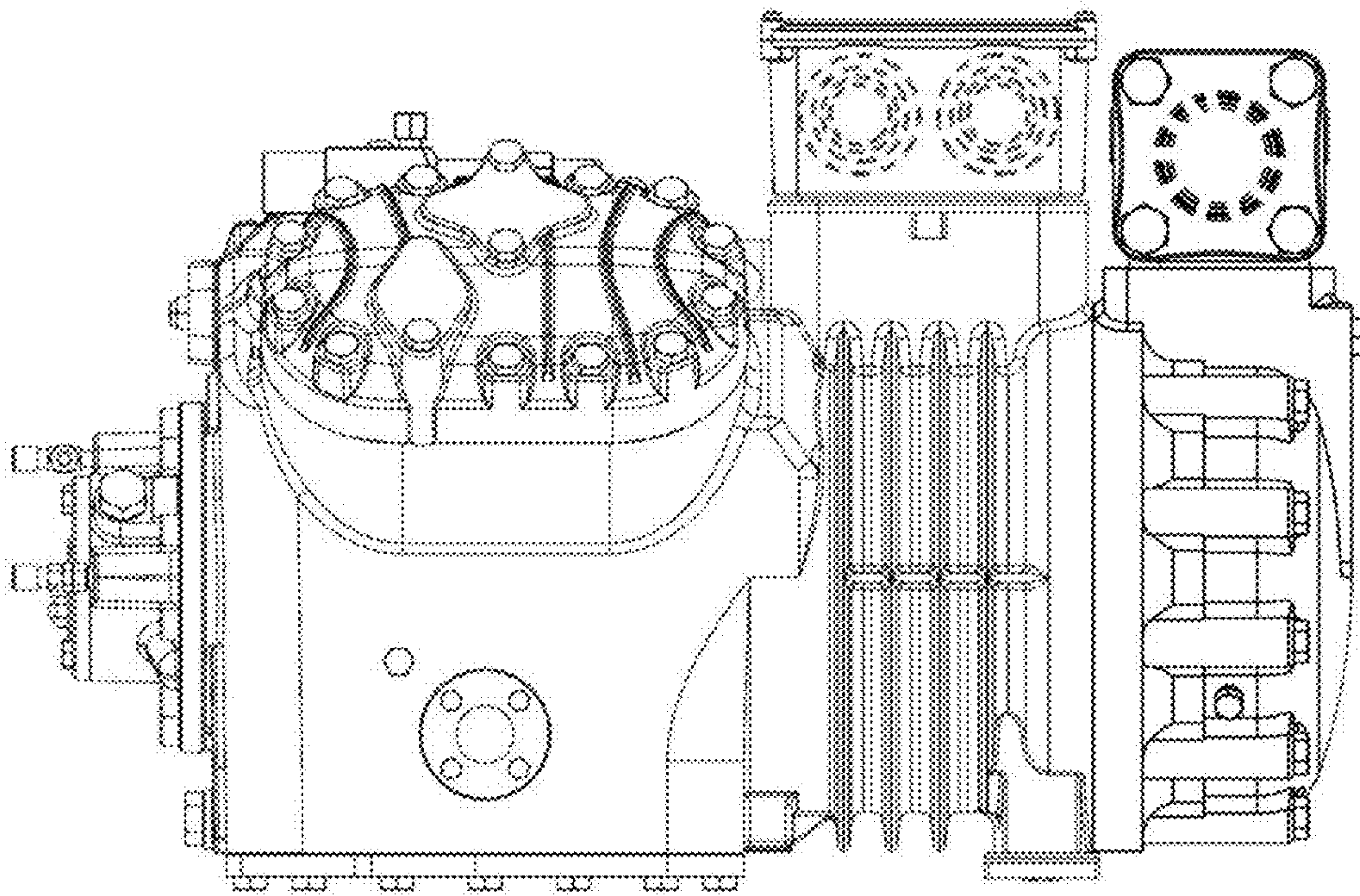


FIG. 4

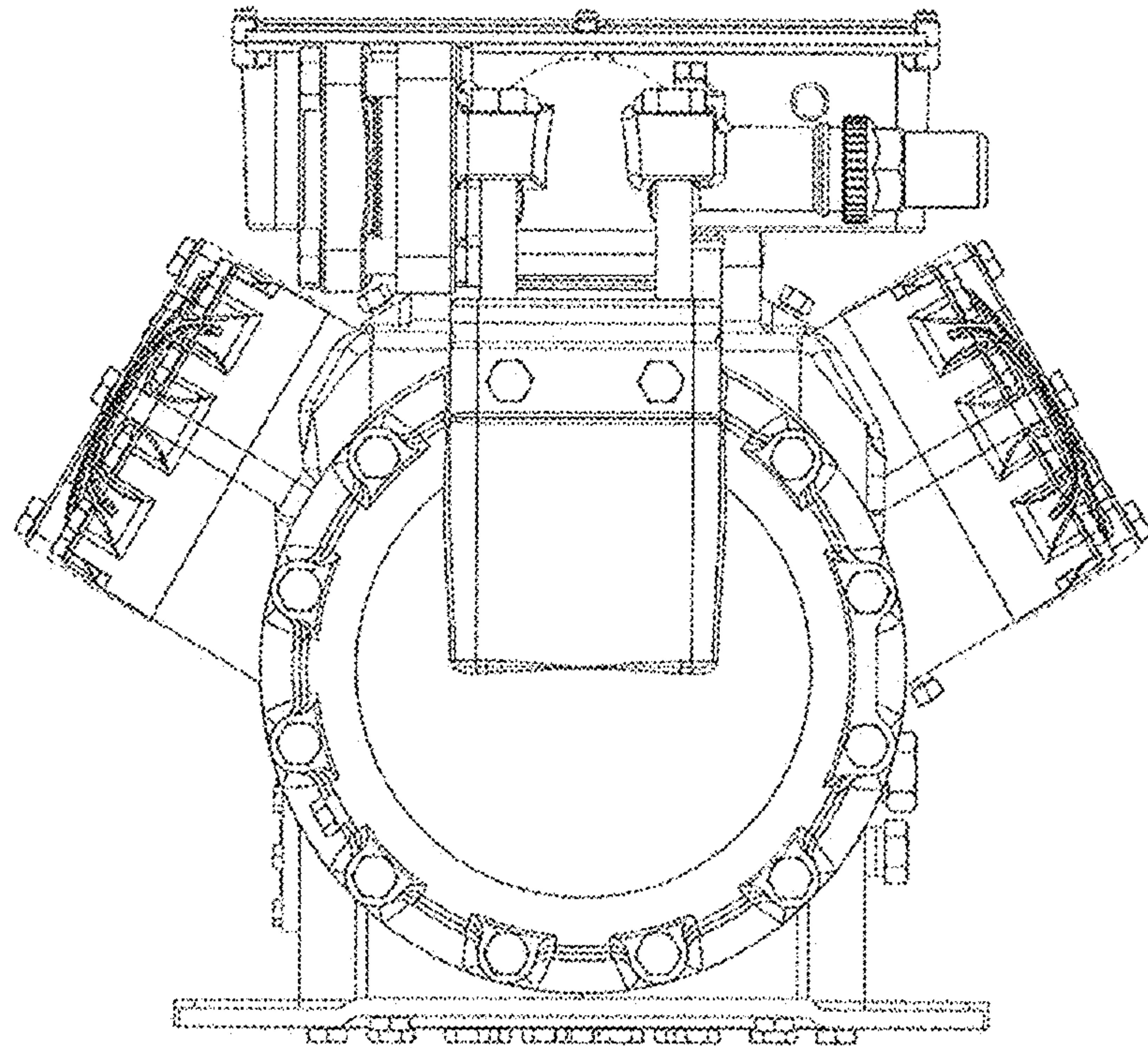


FIG. 5

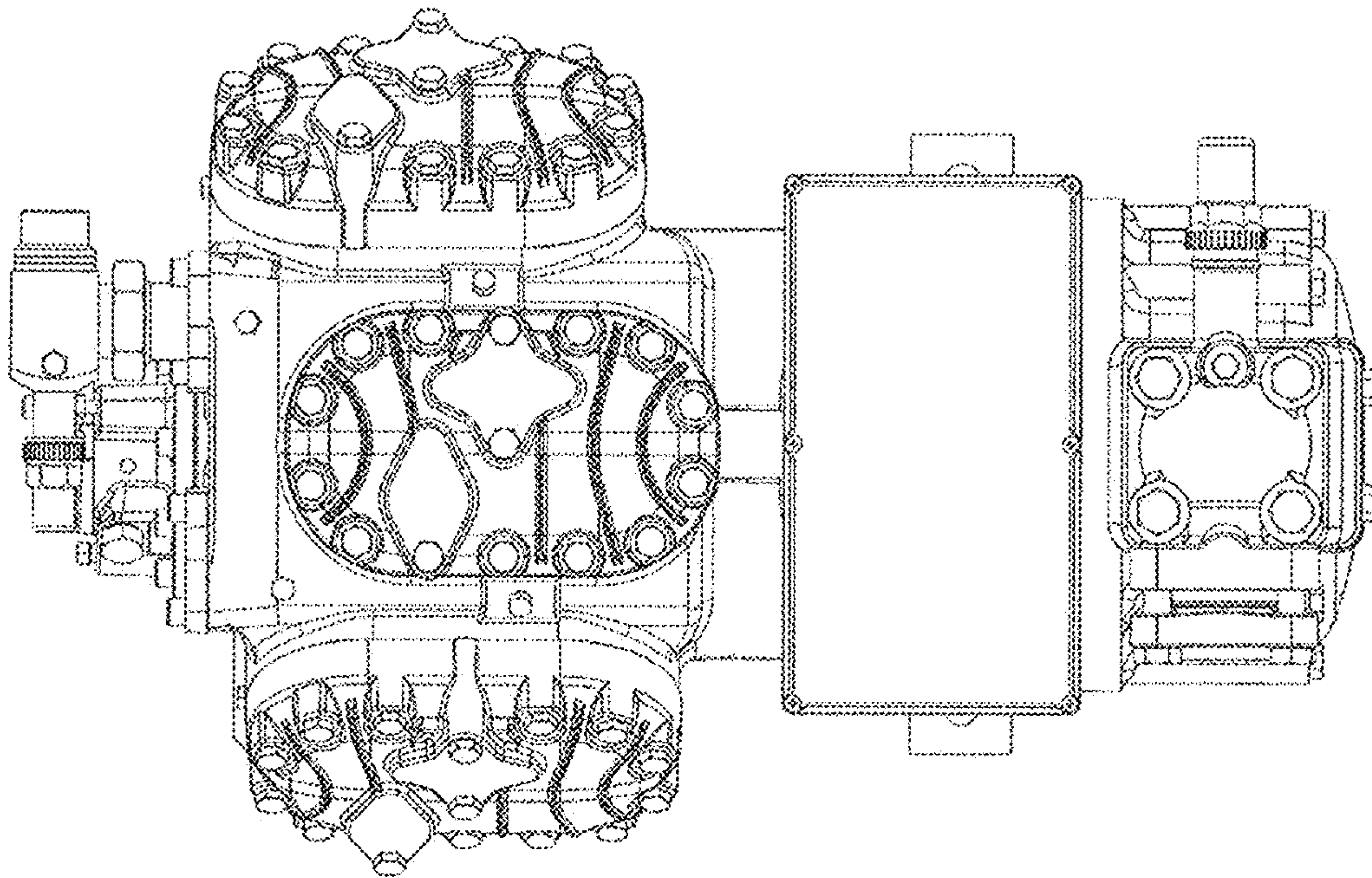


FIG. 6

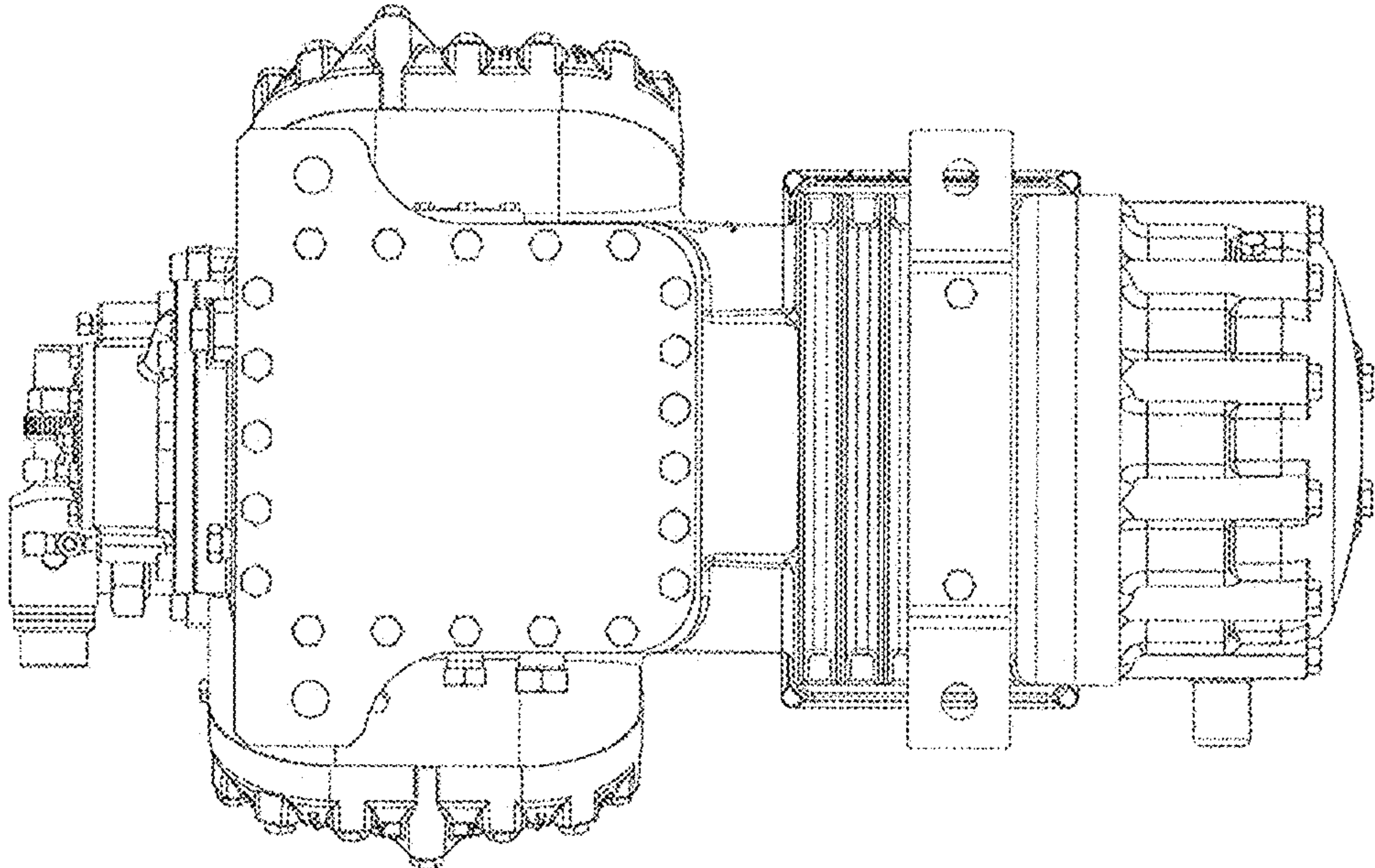


FIG. 7

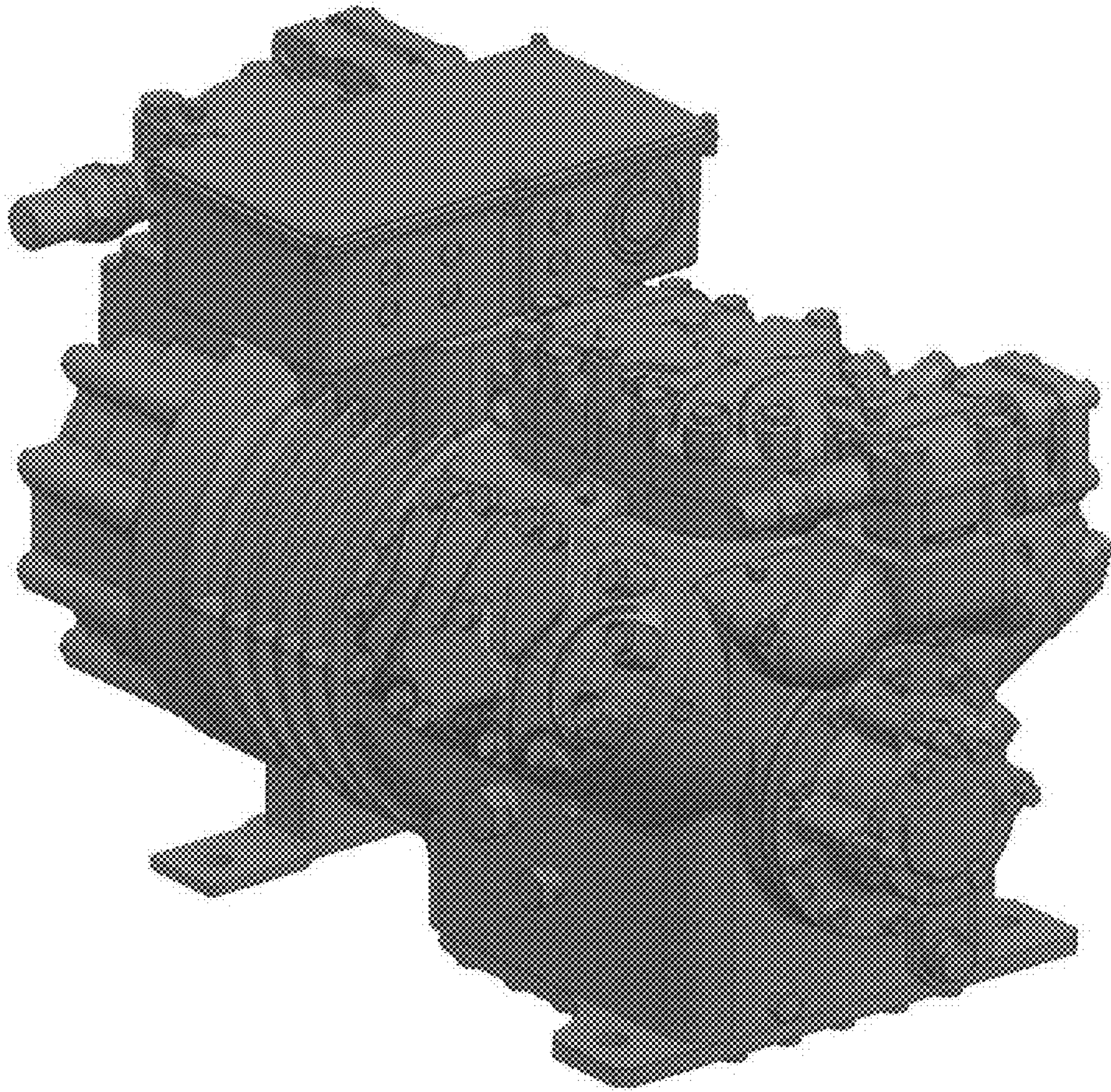


FIG. 8

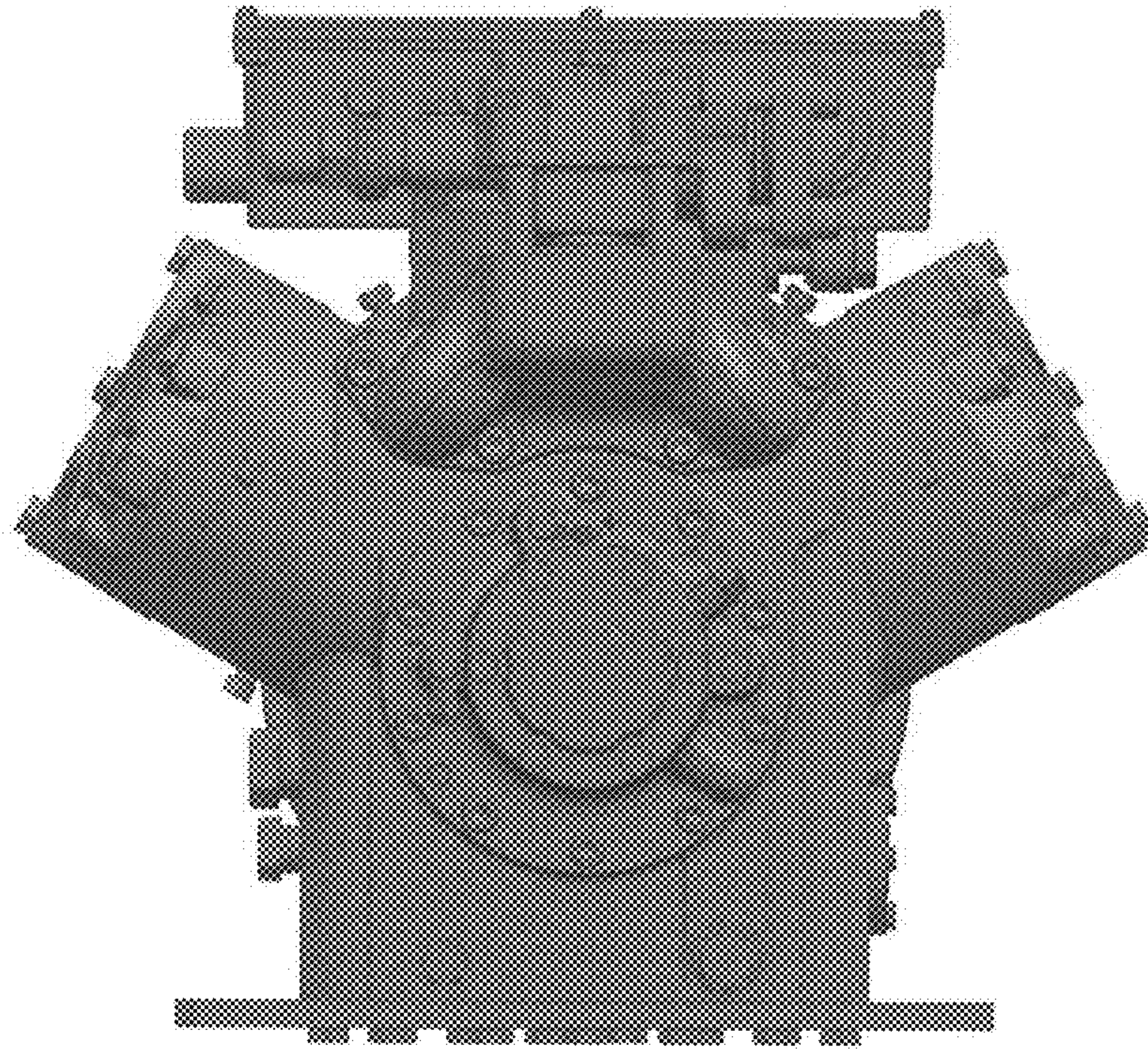


FIG. 9

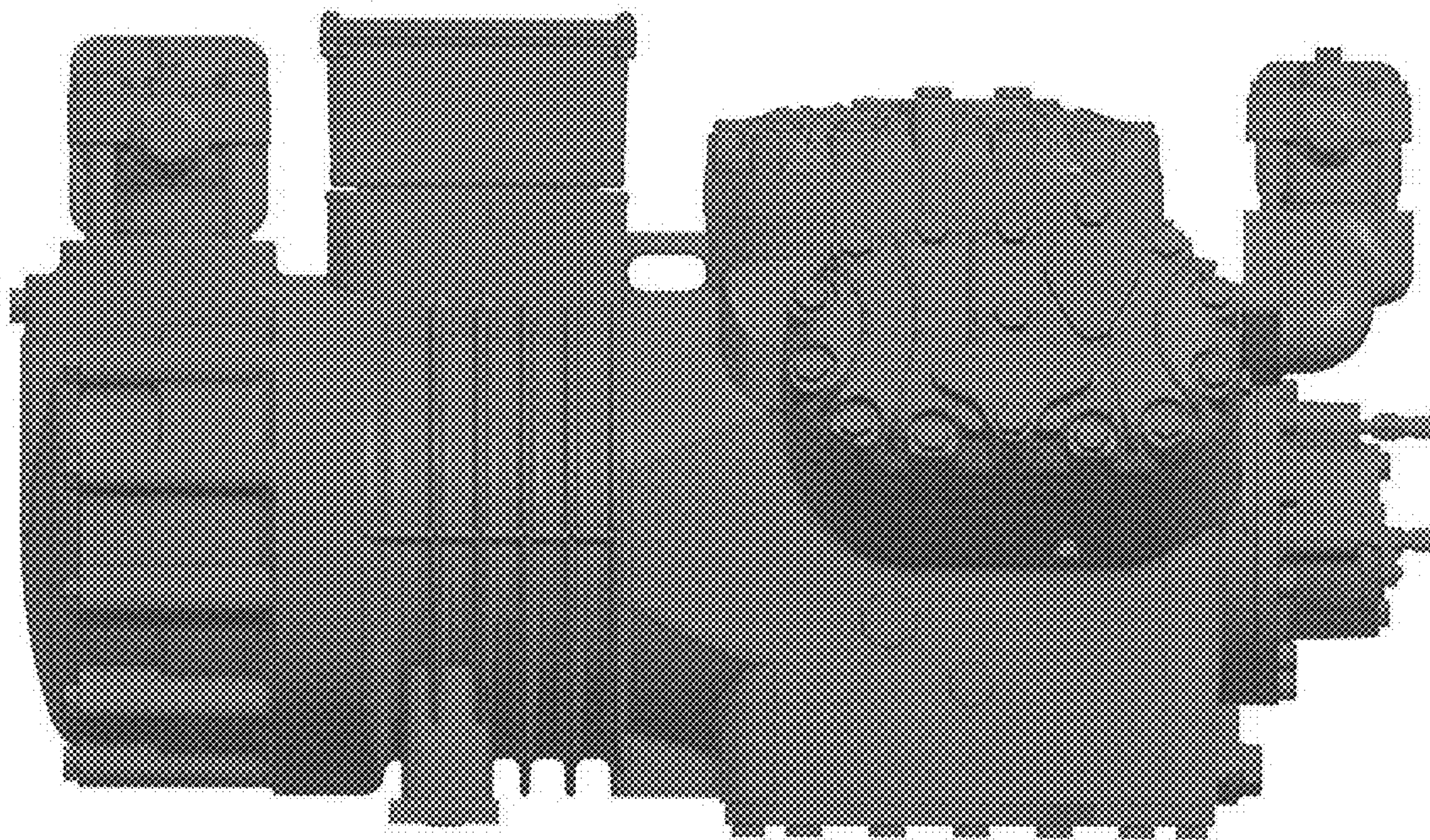


FIG. 10

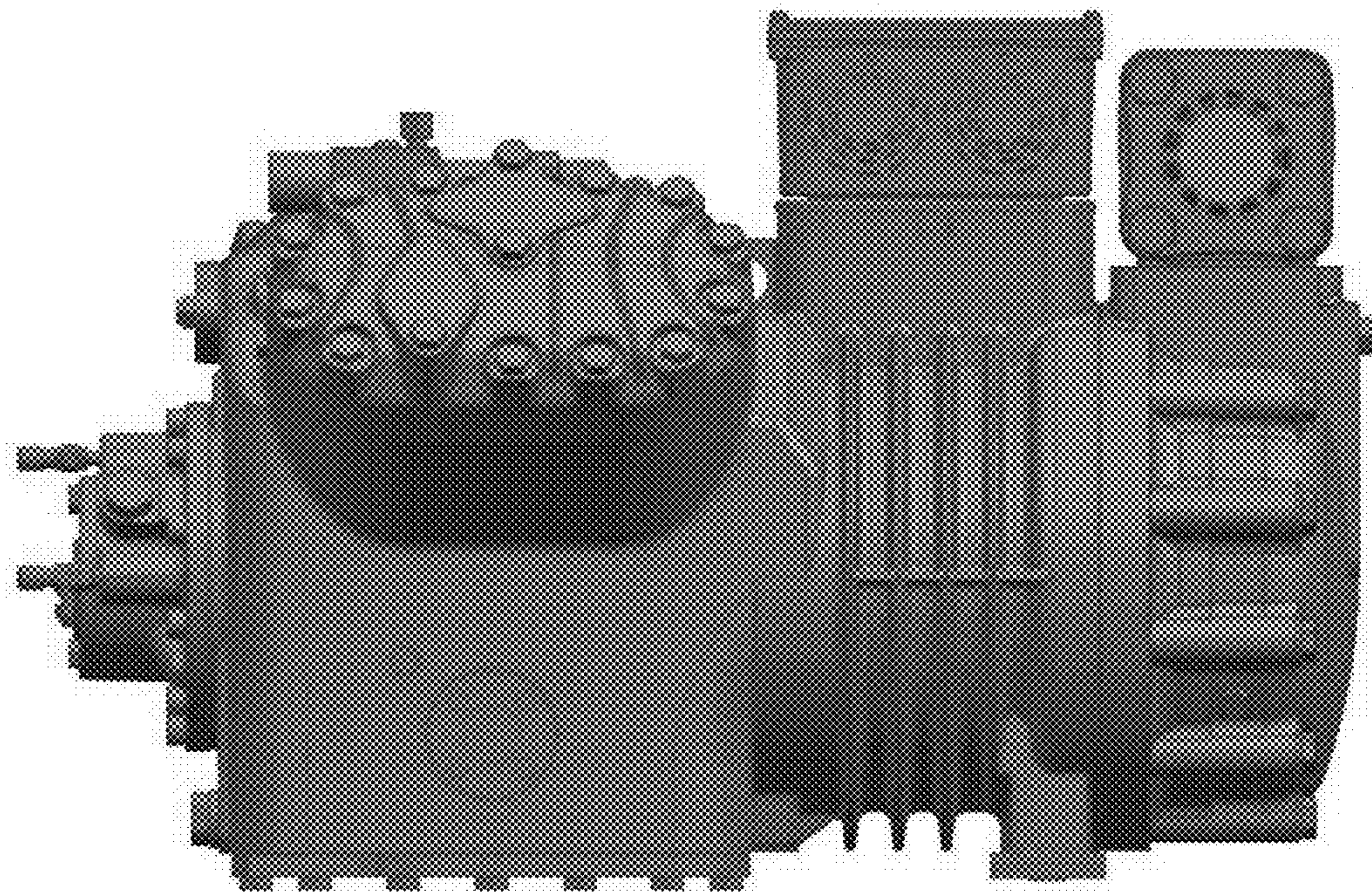


FIG. 11

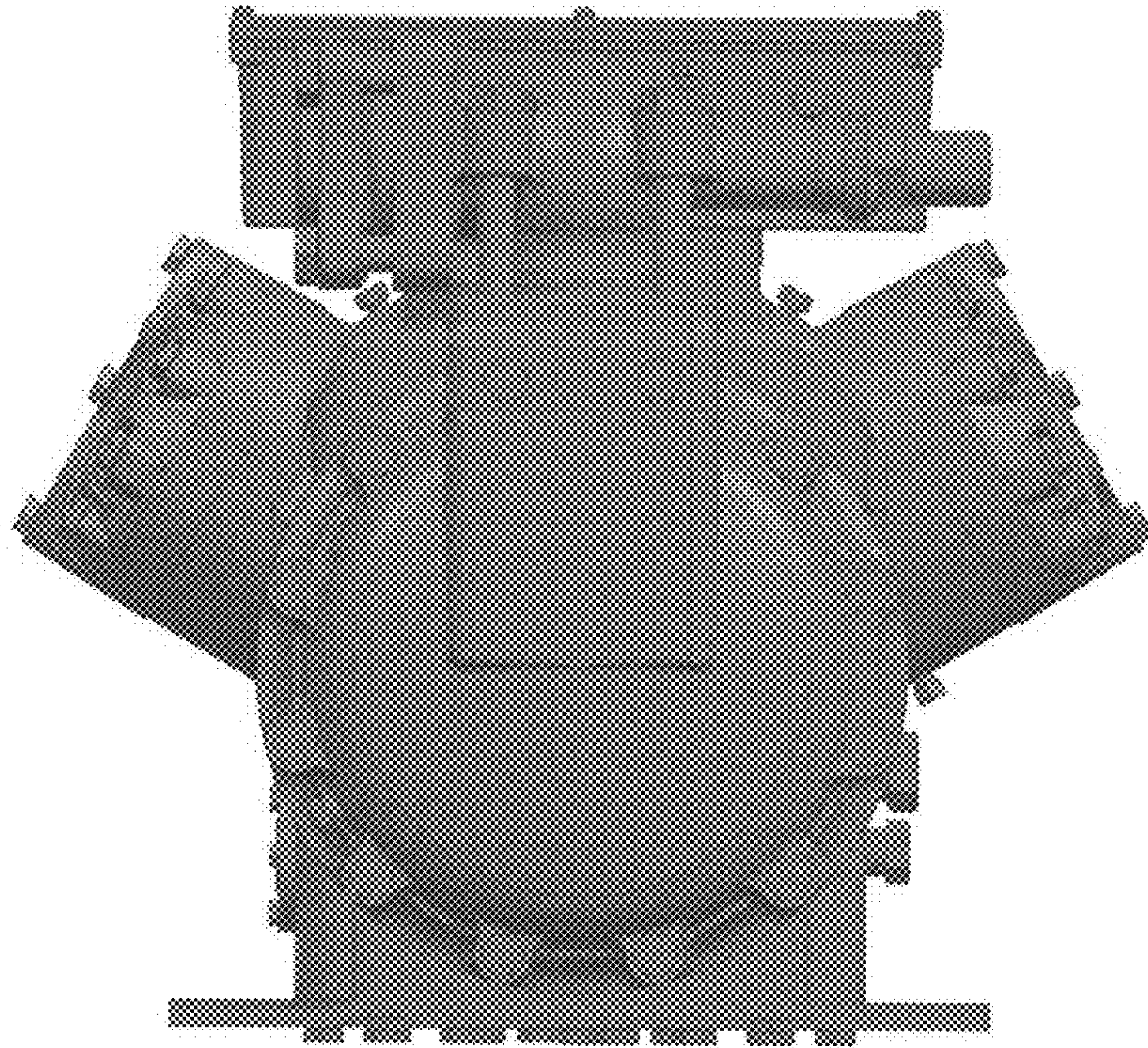


FIG. 12

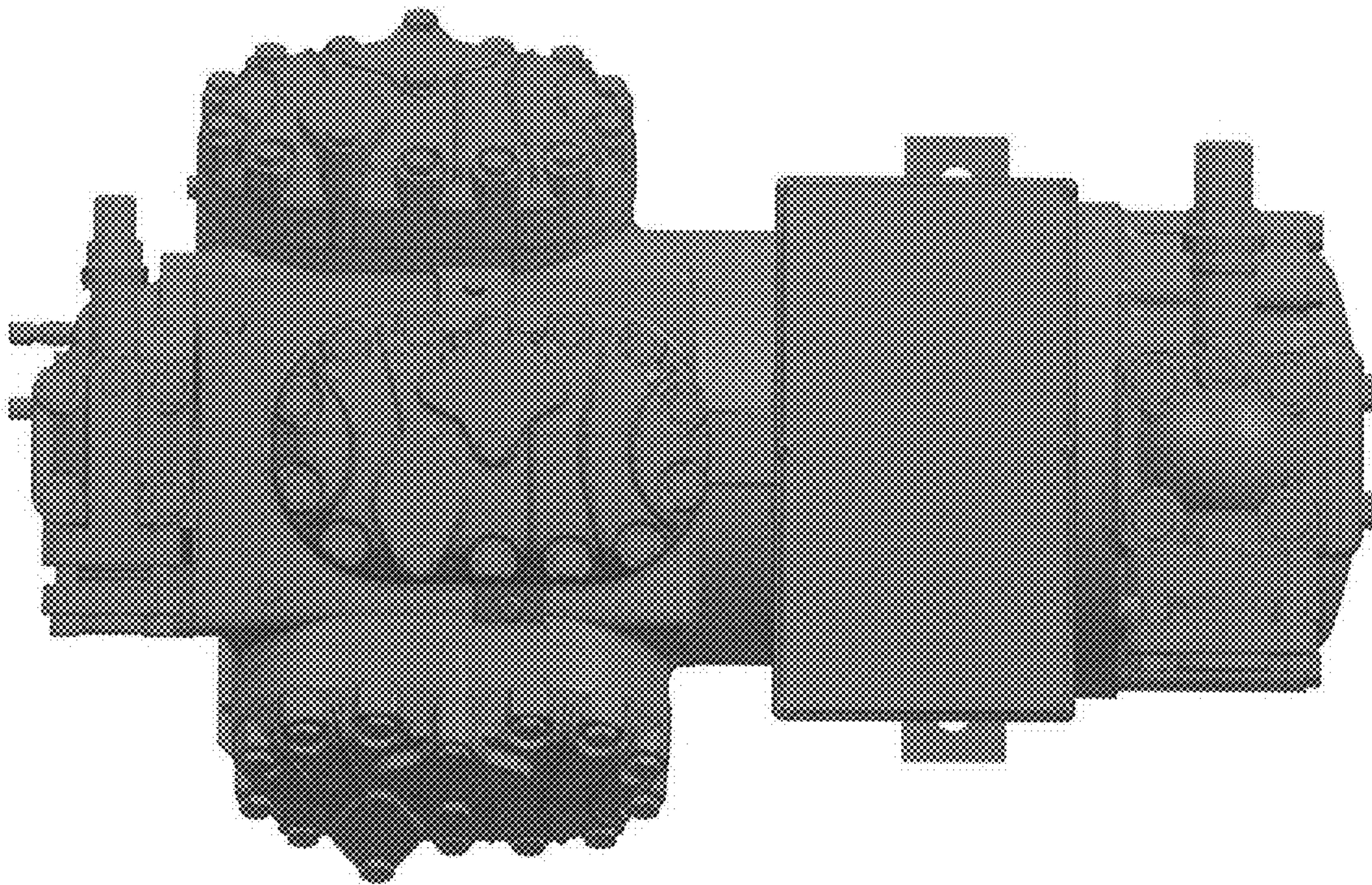


FIG. 13

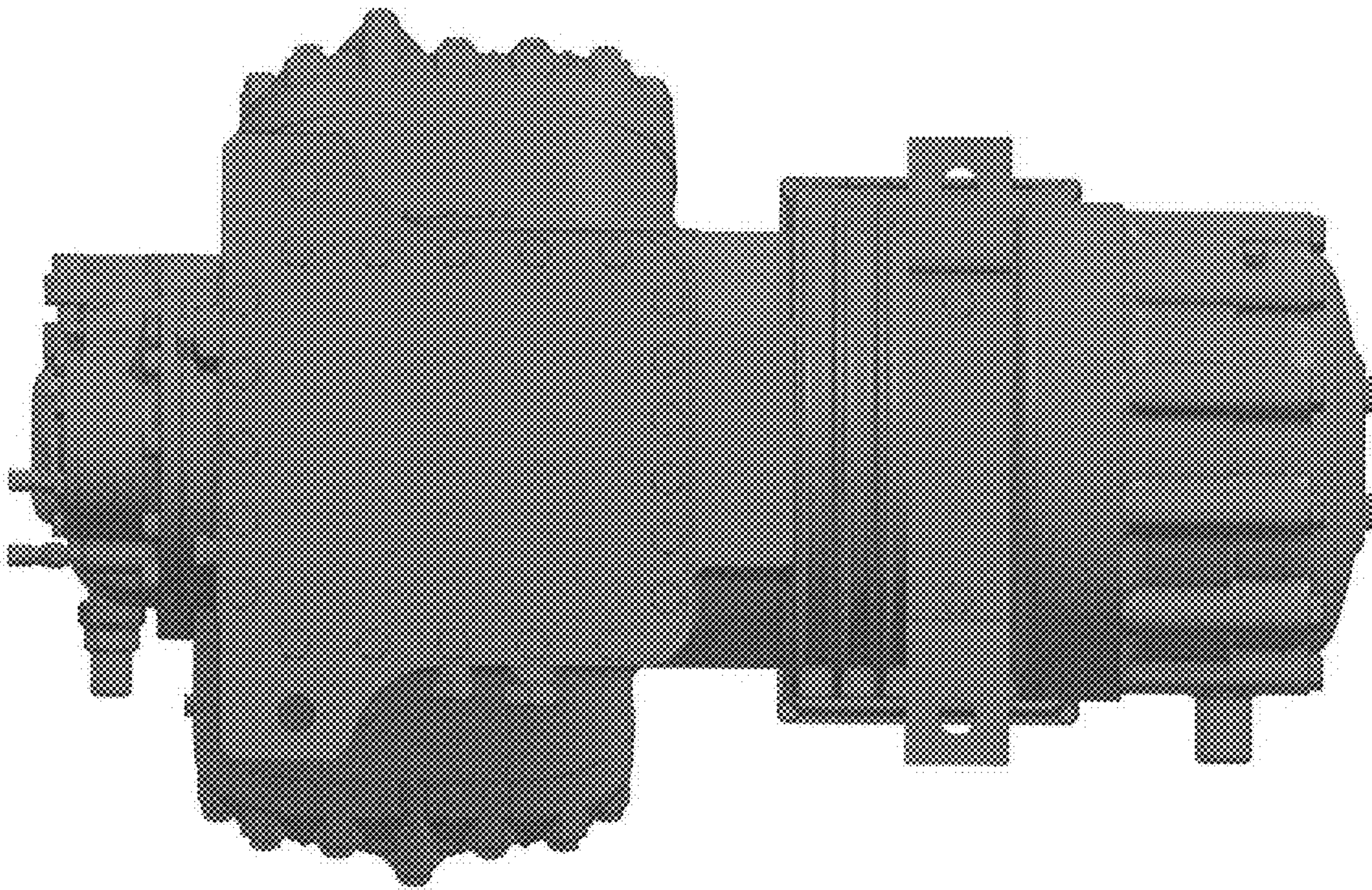


FIG. 14