



US00D777211S

(12) **United States Design Patent** (10) **Patent No.:** **US D777,211 S**
Wall et al. (45) **Date of Patent:** **** Jan. 24, 2017**

(54) **OVAL AIR FILTER** 5,447,546 A * 9/1995 Thibodeau B01D 46/24
261/23.2
(71) Applicants: **Jere James Wall**, Helendale, CA (US); D497,619 S * 10/2004 Reitsma D15/5
Steve Williams, Beaumont, CA (US) D530,807 S * 10/2006 Miyagishima D15/5
8,960,171 B1 * 2/2015 Sinden F02M 19/00
123/590
(72) Inventors: **Jere James Wall**, Helendale, CA (US); 2004/0031254 A1 * 2/2004 Takimoto B01D 39/02
Steve Williams, Beaumont, CA (US) 55/524
2004/0187455 A1 * 9/2004 Niakan B01D 39/083
55/486
(73) Assignee: **K&N Engineering, Inc.**, Riverside, CA (US) 2006/0090429 A1 * 5/2006 Wall B01D 46/0004
55/418
(**) Term: **14 Years** 2015/0075121 A1 * 3/2015 Leitner F02M 35/082
55/309

(21) Appl. No.: **29/518,674**

* cited by examiner

(22) Filed: **Feb. 26, 2015**

Primary Examiner — T. Chase Nelson

(51) **LOC (10) Cl.** **15-01**

Assistant Examiner — Ania Aman

(52) **U.S. Cl.**
USPC **D15/5**

(74) *Attorney, Agent, or Firm* — Rutan & Tucker LLP;
Hani Z. Sayed

(58) **Field of Classification Search**
USPC D15/1-6; D23/365, 209, 363, 358, 386,
D23/354, 341, 364, 303
CPC .. F02M 19/00; F02M 17/46; F02M 35/02416;
F02M 35/0201; F02M 35/02; F02M
35/024; B01D 46/0002; B01D 46/0004;
B01D 46/2422; B01D 2046/2488
See application file for complete search history.

(57) **CLAIM**

The ornamental design for an oval air filter, as shown and described.

DESCRIPTION

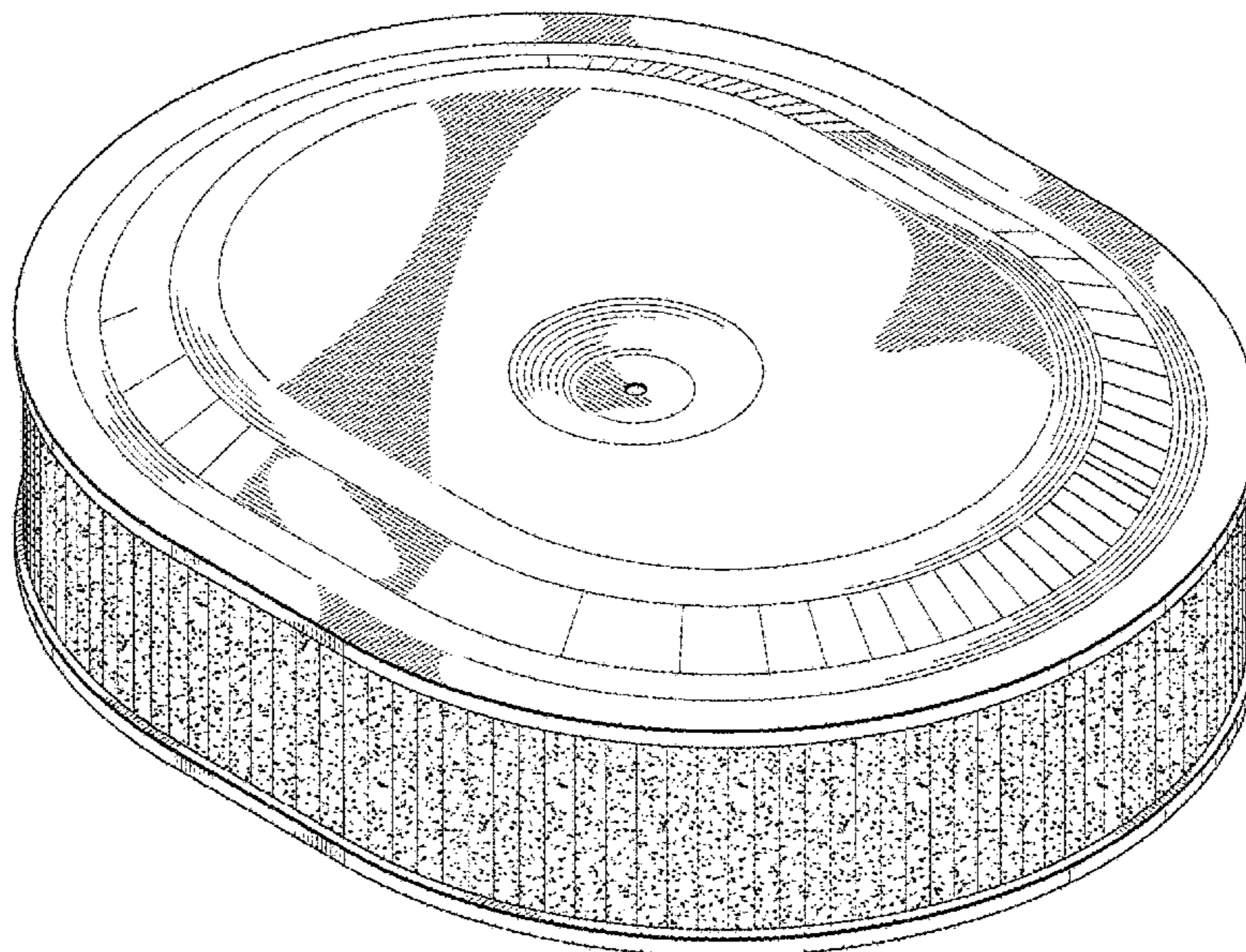
FIG. 1 is a top, front, left side perspective view of the oval air filter of the present invention;
FIG. 2 is a front elevation view, the rear elevation view being a mirror image;
FIG. 3 is a left side elevation view, the right side elevation view being a mirror image;
FIG. 4 is a top plan view;
FIG. 5 is a bottom plan view; and,
FIG. 6 is a bottom, rear, right side perspective view.

(56) **References Cited**

U.S. PATENT DOCUMENTS

3,039,254 A * 6/1962 Thornburgh B01D 46/0002
55/332
3,460,321 A * 8/1969 Canzoneri B01D 39/18
55/495
3,541,765 A * 11/1970 Adler F02M 25/0854
123/519
5,102,436 A * 4/1992 Grabowski B01D 46/0023
55/483

1 Claim, 4 Drawing Sheets



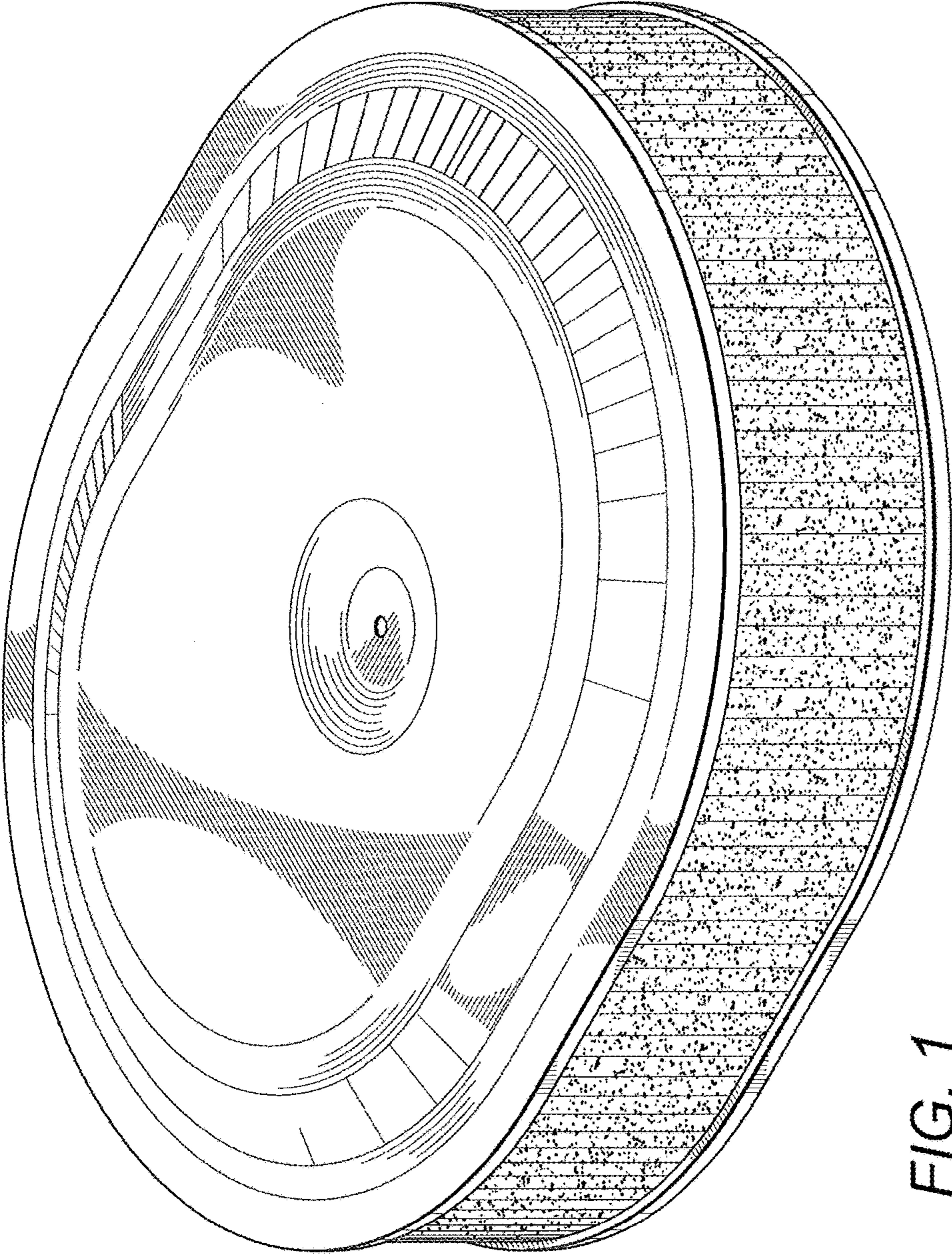


FIG. 1

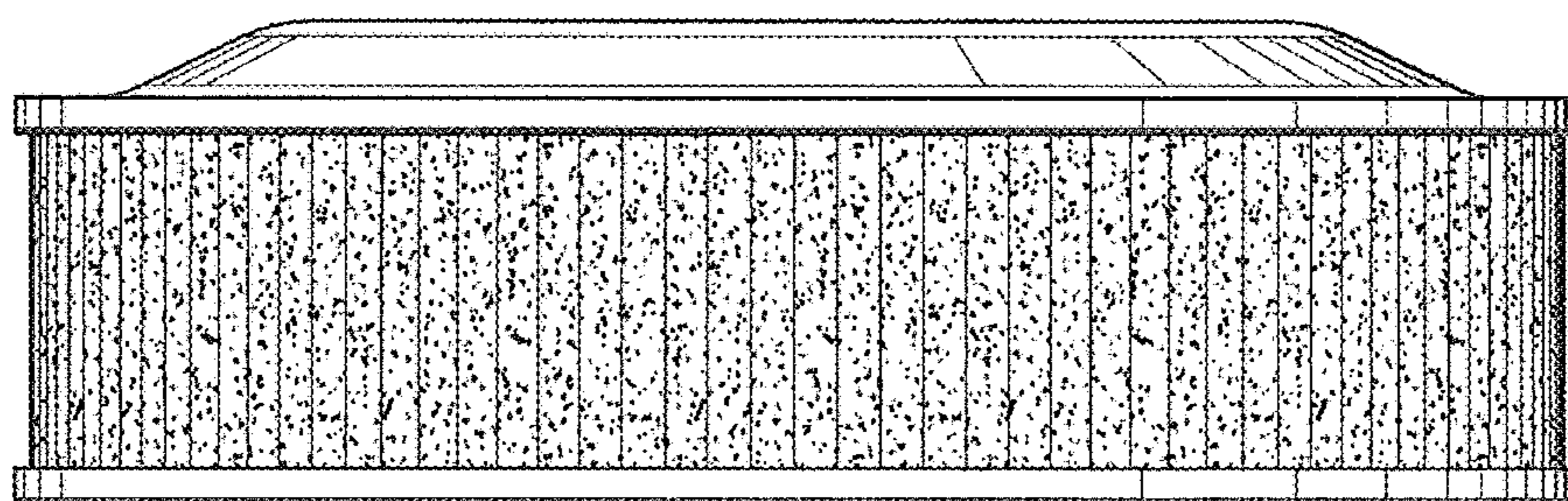
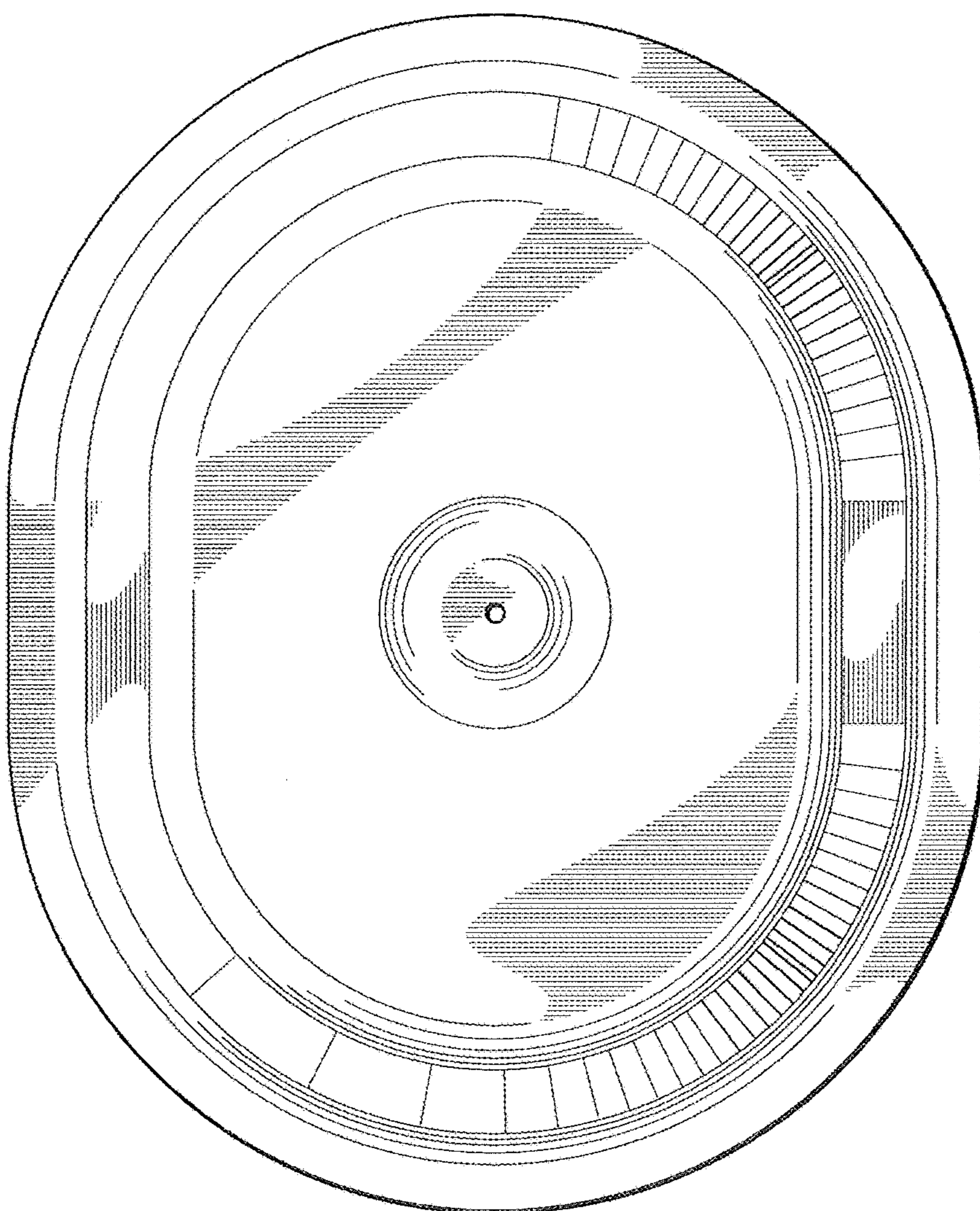


FIG. 2

FIG. 4



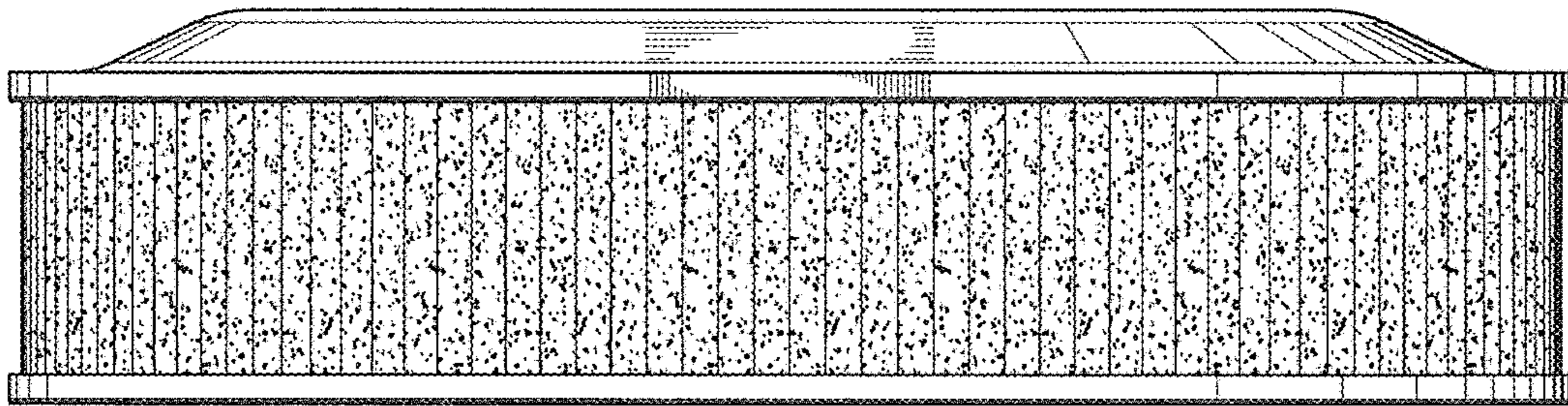
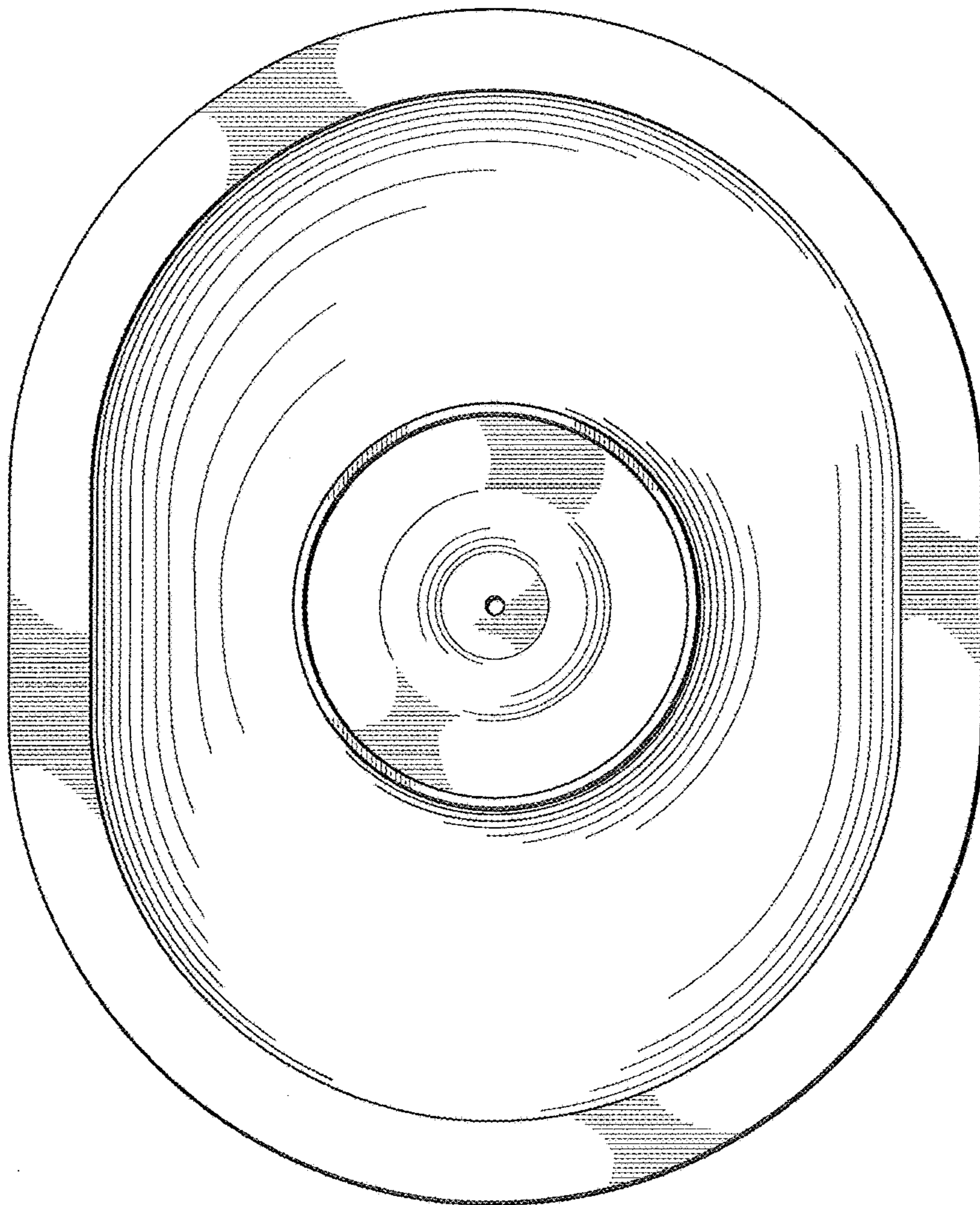


FIG. 3

FIG. 5



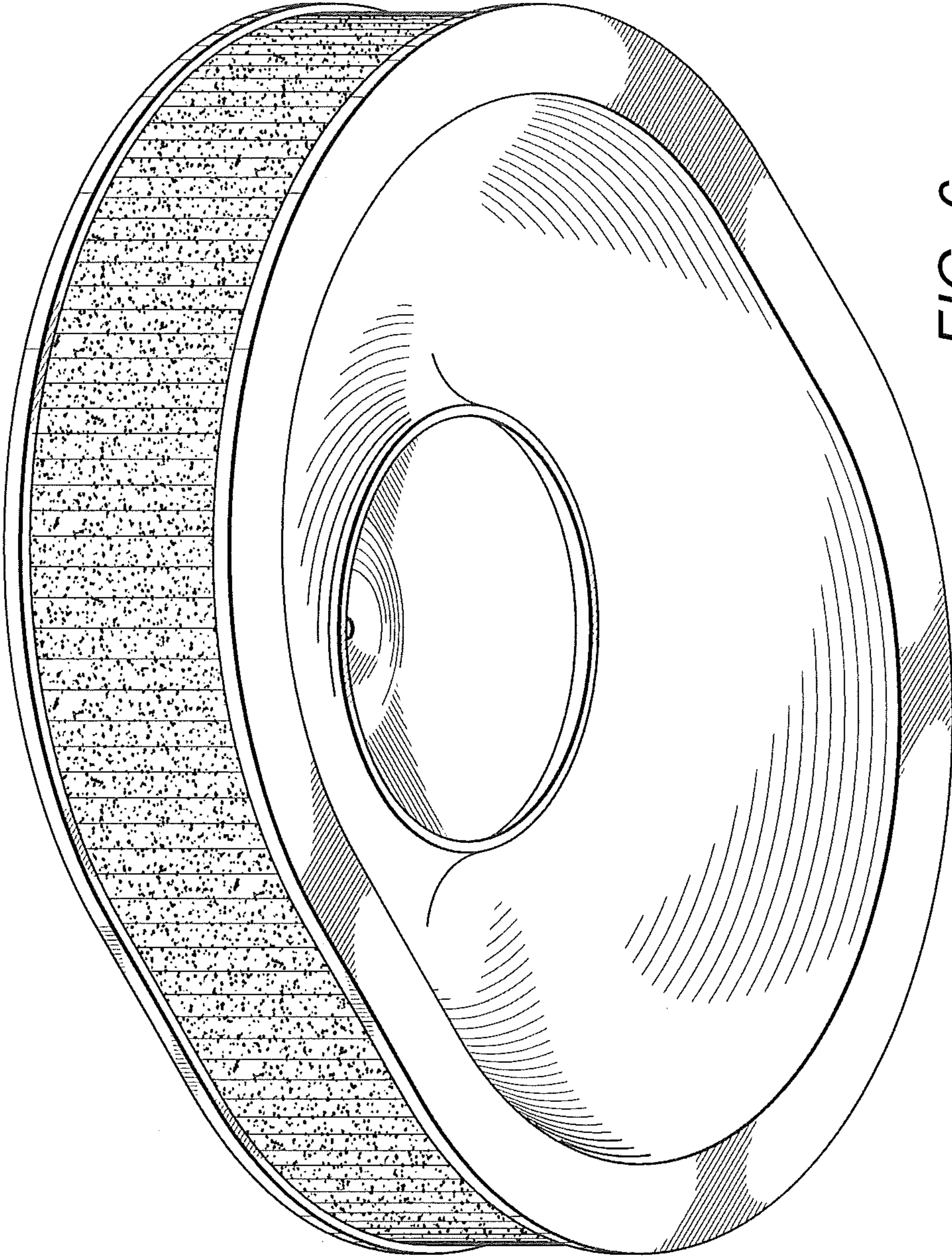


FIG. 6