



US00D777179S

(12) **United States Design Patent** (10) **Patent No.:** **US D777,179 S**
Burns (45) **Date of Patent:** **** Jan. 24, 2017**

(54) **DISPLAY SCREEN OR PORTION THEREOF WITH COLOR GRAPHICAL USER INTERFACE**

(71) Applicant: **SPKDRM LLC**, Redwood City, CA (US)

(72) Inventor: **Joel Thomas Burns**, Woodside, CA (US)

(73) Assignee: **SPKDRM LLC**, Redwood City, CA (US)

(**) Term: **14 Years**

(21) Appl. No.: **29/522,055**

(22) Filed: **Mar. 27, 2015**

(51) **LOC (10) Cl.** **14-04**

(52) **U.S. Cl.**
USPC **D14/485**

(58) **Field of Classification Search**
USPC D14/485-495
CPC G06F 17/5045; G06F 3/04817; G06F 3/0481;
H04N 1/00424
See application file for complete search history.

(56) **References Cited**

U.S. PATENT DOCUMENTS

D385,545 S	*	10/1997	Levin	D14/489
D676,057 S	*	2/2013	Lee	D14/487
D699,730 S	*	2/2014	Brinda	D14/485
D716,321 S	*	10/2014	Fan	D14/485
D730,917 S	*	6/2015	Lee	D14/485
D734,344 S	*	7/2015	Clare	D14/485
D739,415 S	*	9/2015	Barling	D14/485
D743,974 S	*	11/2015	Herold	D14/485
D743,992 S	*	11/2015	Lee	D14/487
D745,533 S	*	12/2015	Luo	D14/485
D746,320 S	*	12/2015	Shardlow	D14/487
D748,126 S	*	1/2016	Sarukkai	D14/486

D749,606 S	*	2/2016	Wang	D14/486
D749,615 S	*	2/2016	Noack	D14/486
D749,634 S	*	2/2016	Cho	D14/489
D750,640 S	*	3/2016	Kim	D14/485
D750,642 S	*	3/2016	Lee	D14/485
D751,091 S	*	3/2016	Suzuki	D14/486
D751,584 S	*	3/2016	Nuovo	D14/485
D751,599 S	*	3/2016	Connolly	D14/488
D752,060 S	*	3/2016	Kim	D14/485
D754,674 S	*	4/2016	Lee	D14/485
D762,663 S	*	8/2016	Lee	D14/485
D763,266 S	*	8/2016	Myung	D14/485

* cited by examiner

Primary Examiner — Eric Goodman

Assistant Examiner — Sloan Rozin

(74) *Attorney, Agent, or Firm* — Nixon Peabody LLP

(57) **CLAIM**

I claim the ornamental design for a display screen or portion thereof with color graphical user interface, as shown and described.

DESCRIPTION

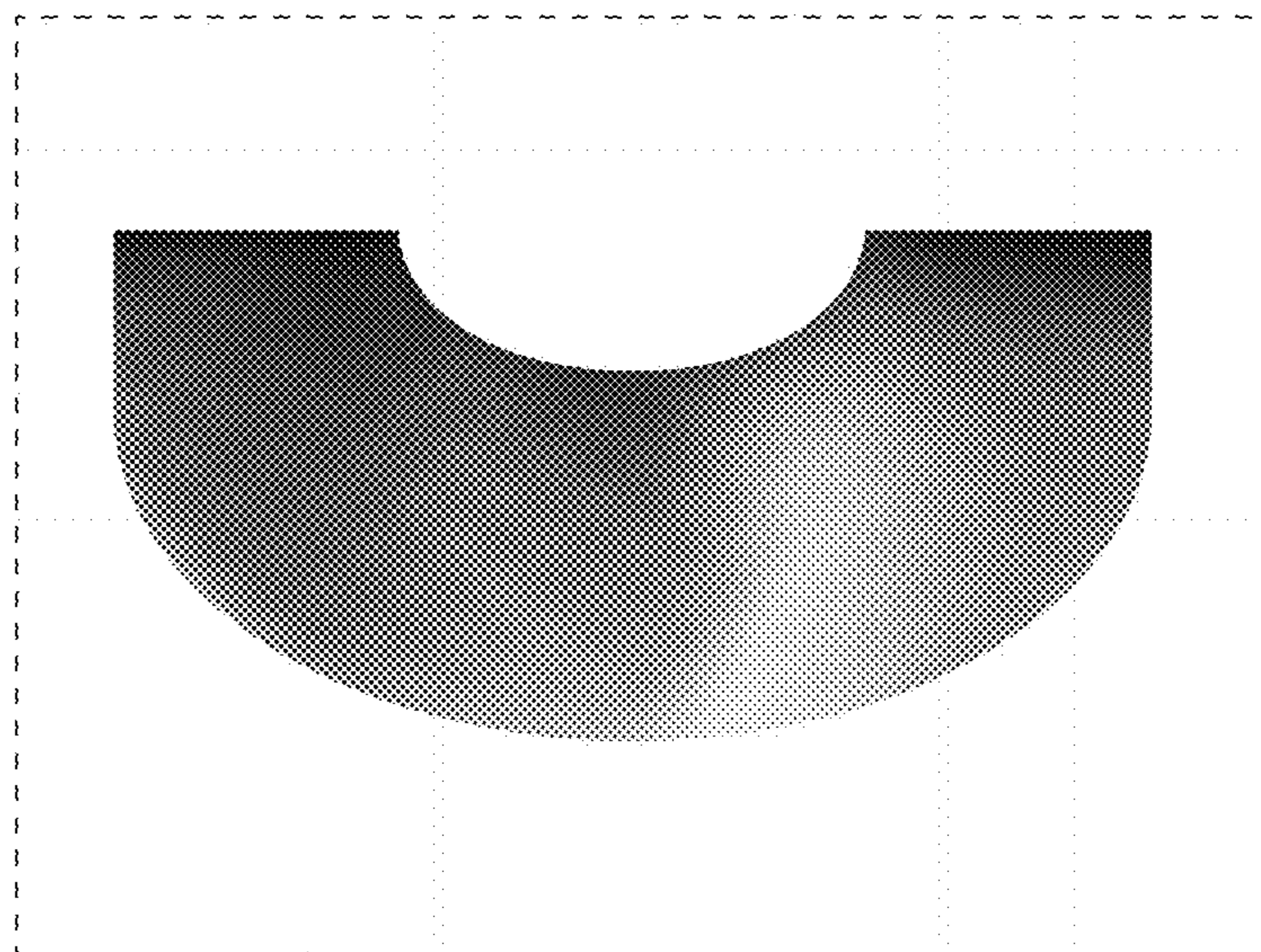
The patent or application file contains at least one drawing executed in color. Copies of this patent or patent application publication with color drawing(s) will be provided by the Office upon request and payment of the necessary fee.

FIG. 1 is a front view of a display screen or portion thereof with color graphical user interface showing an embodiment of my new design; and,

FIG. 2 is a front view of a display screen or portion thereof with color graphical user interface showing another embodiment of my new design.

The dashed broken lines around the figures show a display screen or portion thereof that form no part of the claimed invention.

1 Claim, 2 Drawing Sheets
(2 of 2 Drawing Sheet(s) Filed in Color)



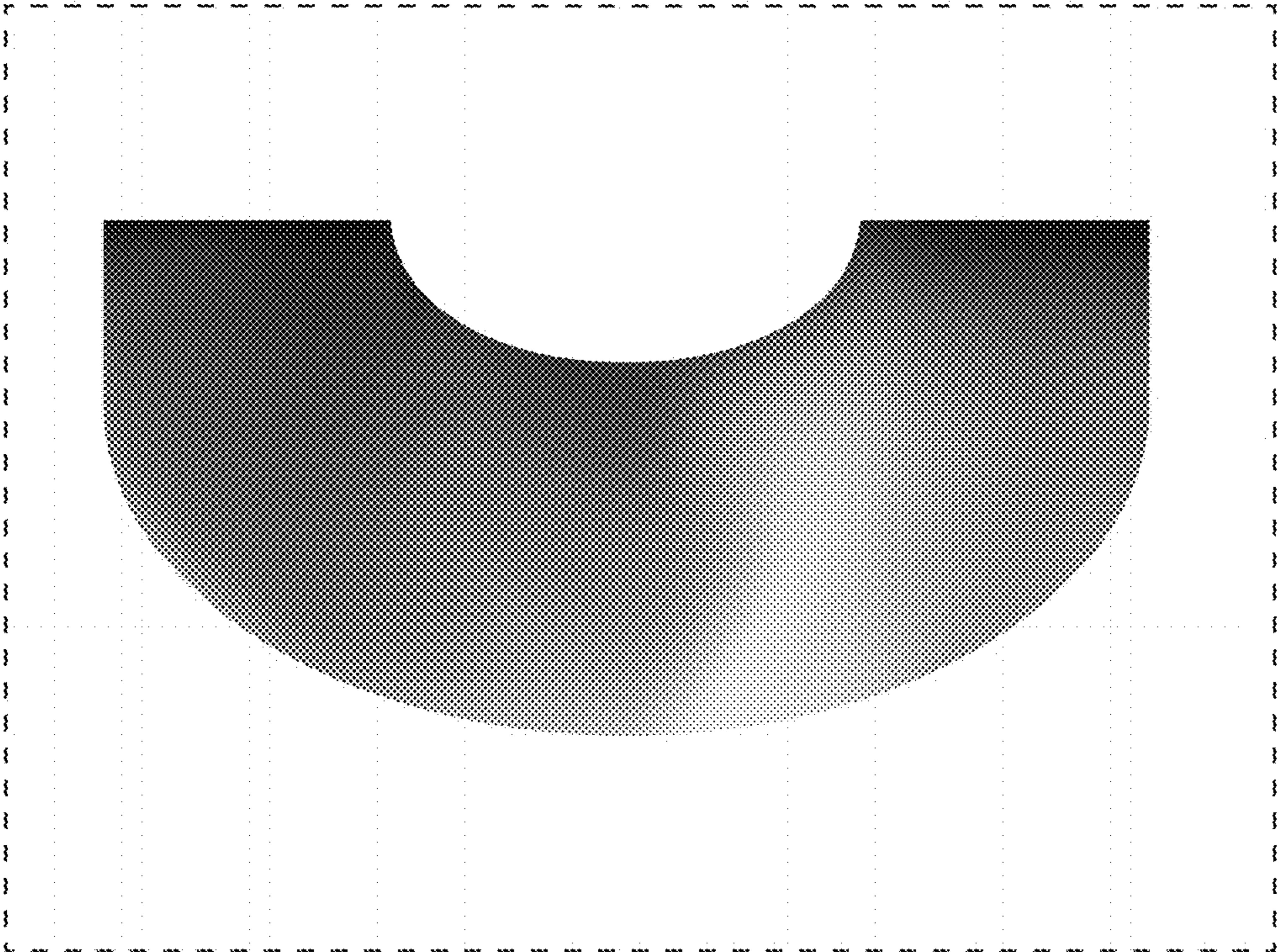


FIG. 1

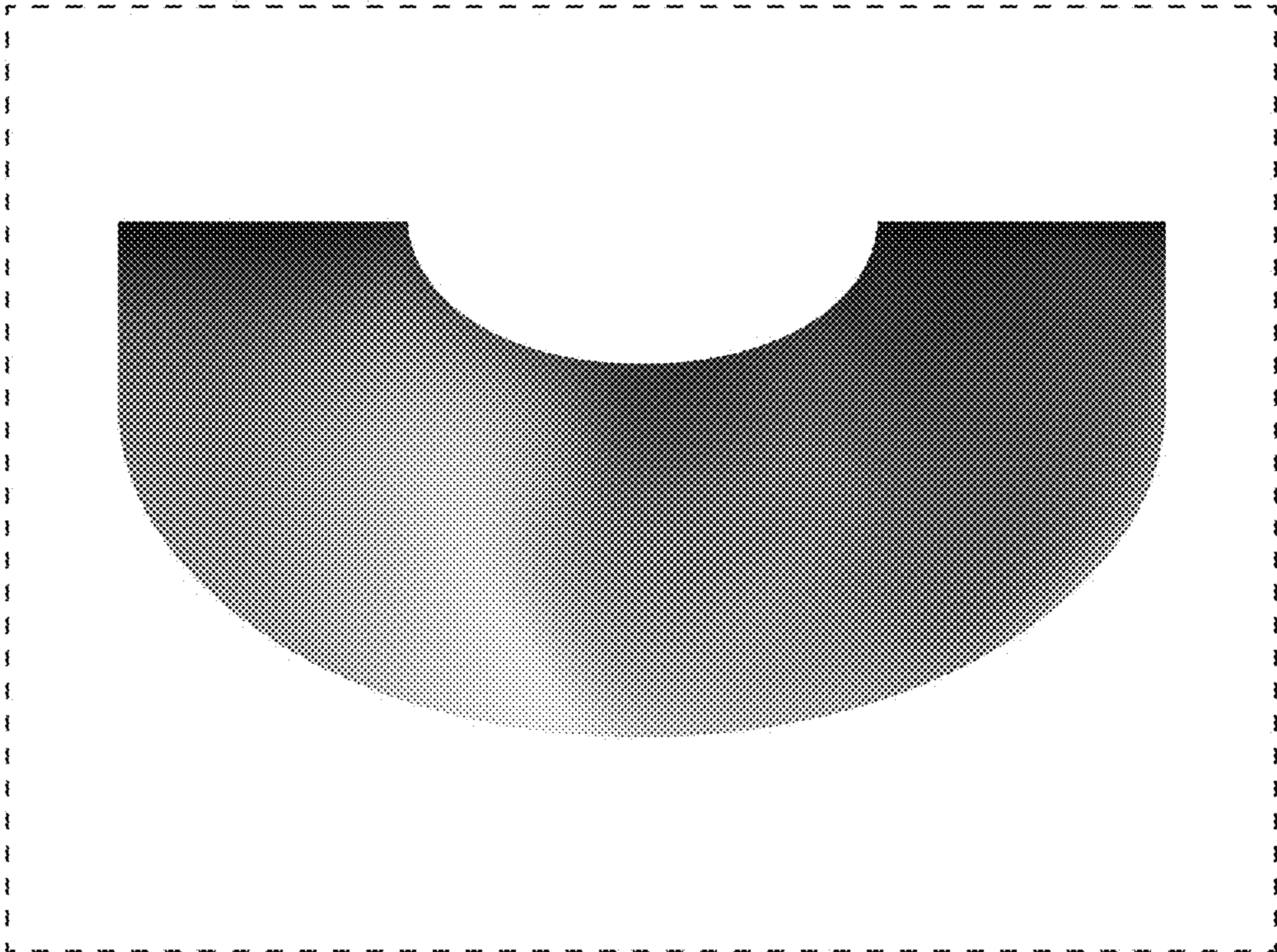


FIG. 2