



US00D777170S

(12) **United States Design Patent**  
**Mihara**

(10) **Patent No.:** **US D777,170 S**  
(45) **Date of Patent:** **\*\* Jan. 24, 2017**

- (54) **OIL DAMPER**
- (71) Applicant: **NIDEC SANKYO CORPORATION,**  
Nagano (JP)
- (72) Inventor: **Naoya Mihara,** Nagano (JP)
- (73) Assignee: **NIDEC SANKYO CORPORATION,**  
Nagano (JP)
- (\*\*) Term: **15 Years**
- (21) Appl. No.: **29/539,129**
- (22) Filed: **Sep. 10, 2015**
- (30) **Foreign Application Priority Data**

Mar. 13, 2015 (JP) ..... 2015-005502

- (51) **LOC (10) Cl.** ..... **14-99**
- (52) **U.S. Cl.**  
USPC ..... **D14/483**

- (58) **Field of Classification Search**  
USPC ..... D15/28, 147, 199, 143; D14/474-483,  
D14/496, 299; 4/236, 248; 16/330;  
188/290, 283  
CPC ..... E05Y 2201/21; E05Y 2201/266; E05Y  
2201/256; E05F 3/14; F16F 9/12; F16F  
9/145; F16F 9/14; F16F 9/516; F16F 9/50;  
F16F 2230/0064; A47K 13/12; A47K  
13/04; Y10T 16/540255; Y10T 464/50  
See application file for complete search history.

(56) **References Cited**

**U.S. PATENT DOCUMENTS**

- 4,796,732 A \* 1/1989 Kong ..... E05F 3/108  
137/513.3
- 4,893,522 A \* 1/1990 Arakawa ..... E05F 3/14  
16/82
- 5,153,946 A \* 10/1992 Yoke ..... A47K 13/10  
188/307

- 5,211,267 A \* 5/1993 Clark ..... F16D 57/00  
16/82
- 5,906,010 A \* 5/1999 Suzuki ..... A47K 13/12  
16/342
- 6,393,624 B1 \* 5/2002 Iwashita ..... A47K 13/10  
4/246.3
- D479,242 S \* 9/2003 Kurachi ..... D14/483
- 6,634,033 B2 \* 10/2003 Mizuno ..... F16F 9/14  
188/305
- D494,601 S \* 8/2004 Arisaka ..... D14/483
- D494,602 S \* 8/2004 Arisaka ..... D14/483
- D513,264 S \* 12/2005 Hayashi ..... D14/483
- D566,123 S \* 4/2008 Takei ..... D14/483
- D584,315 S \* 1/2009 Yamaguchi ..... D14/483
- 7,798,296 B2 \* 9/2010 Iwashita ..... F16F 9/145  
188/290
- D669,484 S \* 10/2012 Suzuki ..... D14/483
- D669,485 S \* 10/2012 Suzuki ..... D14/483

(Continued)

*Primary Examiner* — Mark Goodwin

(74) *Attorney, Agent, or Firm* — Jianq Chyun IP Office

(57) **CLAIM**

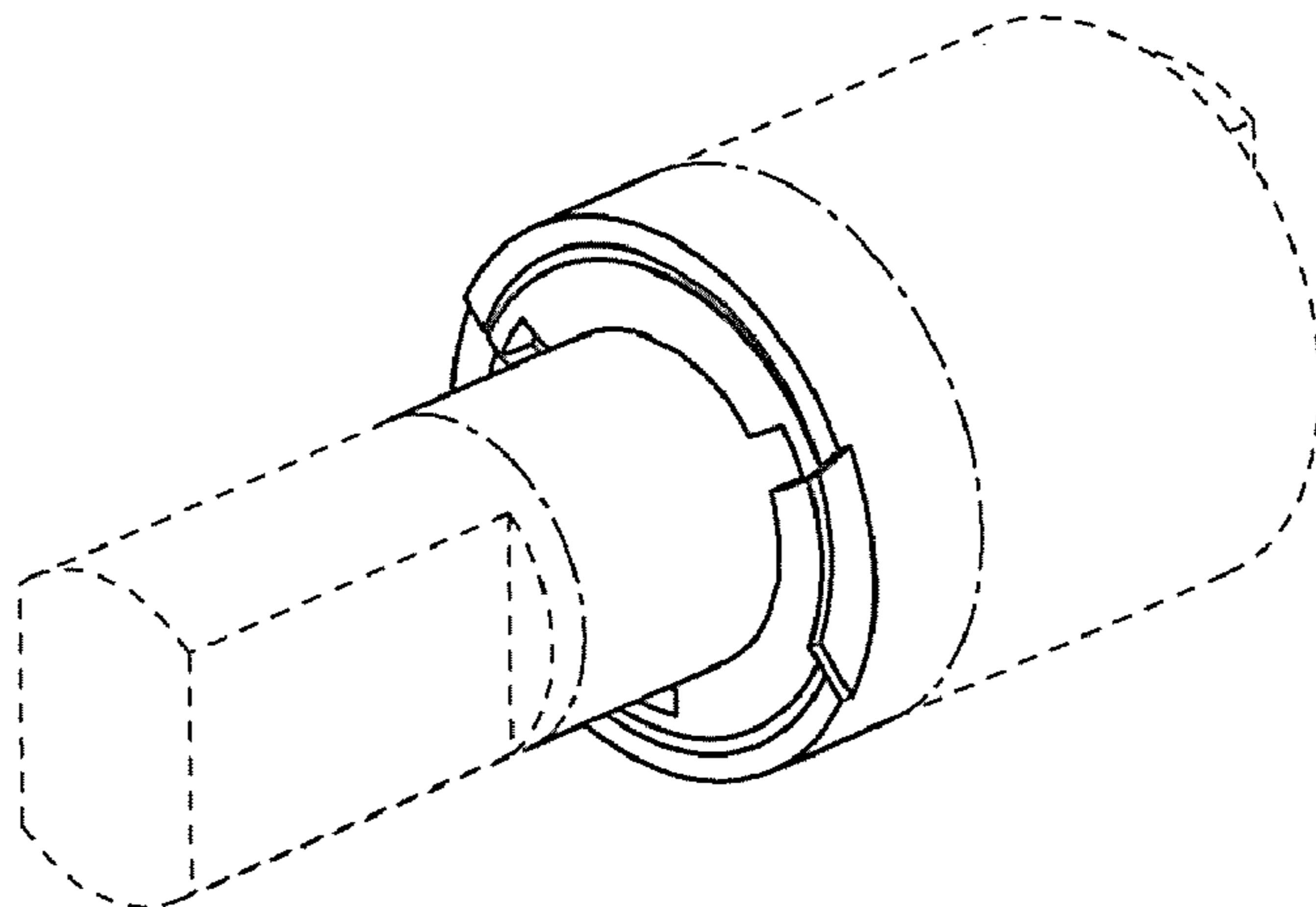
The ornamental design for an oil damper, as shown and described.

**DESCRIPTION**

FIG. 1 is a front perspective view of an oil damper showing my new design;  
 FIG. 2 is a rear perspective view thereof;  
 FIG. 3 is a front view thereof;  
 FIG. 4 is a rear view thereof;  
 FIG. 5 is a left side view thereof;  
 FIG. 6 is a right side view thereof;  
 FIG. 7 is a top view thereof; and,  
 FIG. 8 is a bottom view thereof.

The dashed broken lines show portions of the oil damper and form no part of the claimed design. The dot-dashed broken lines represent a boundary of the claimed design and form no part of the claimed design.

**1 Claim, 5 Drawing Sheets**



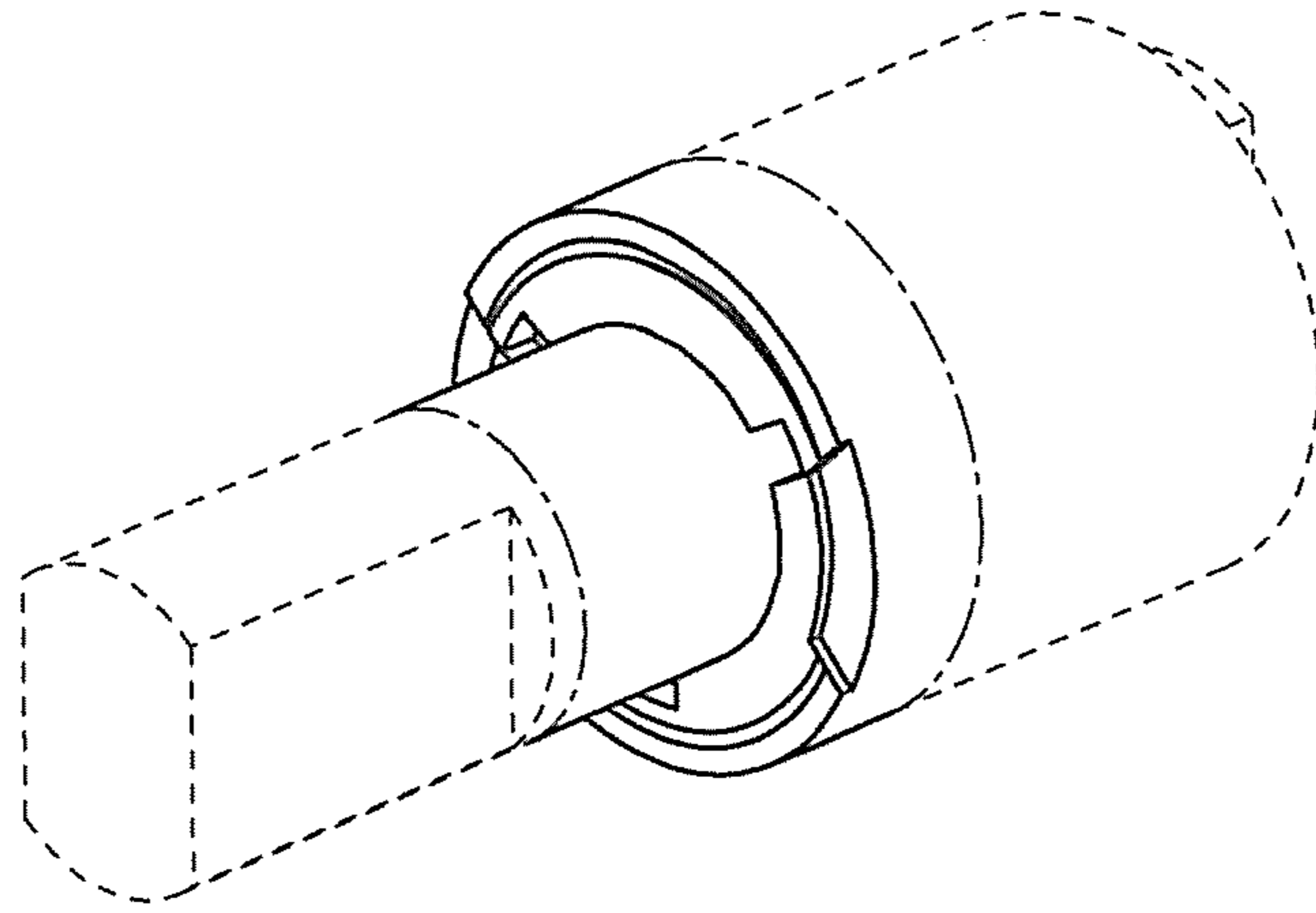
(56)

References Cited

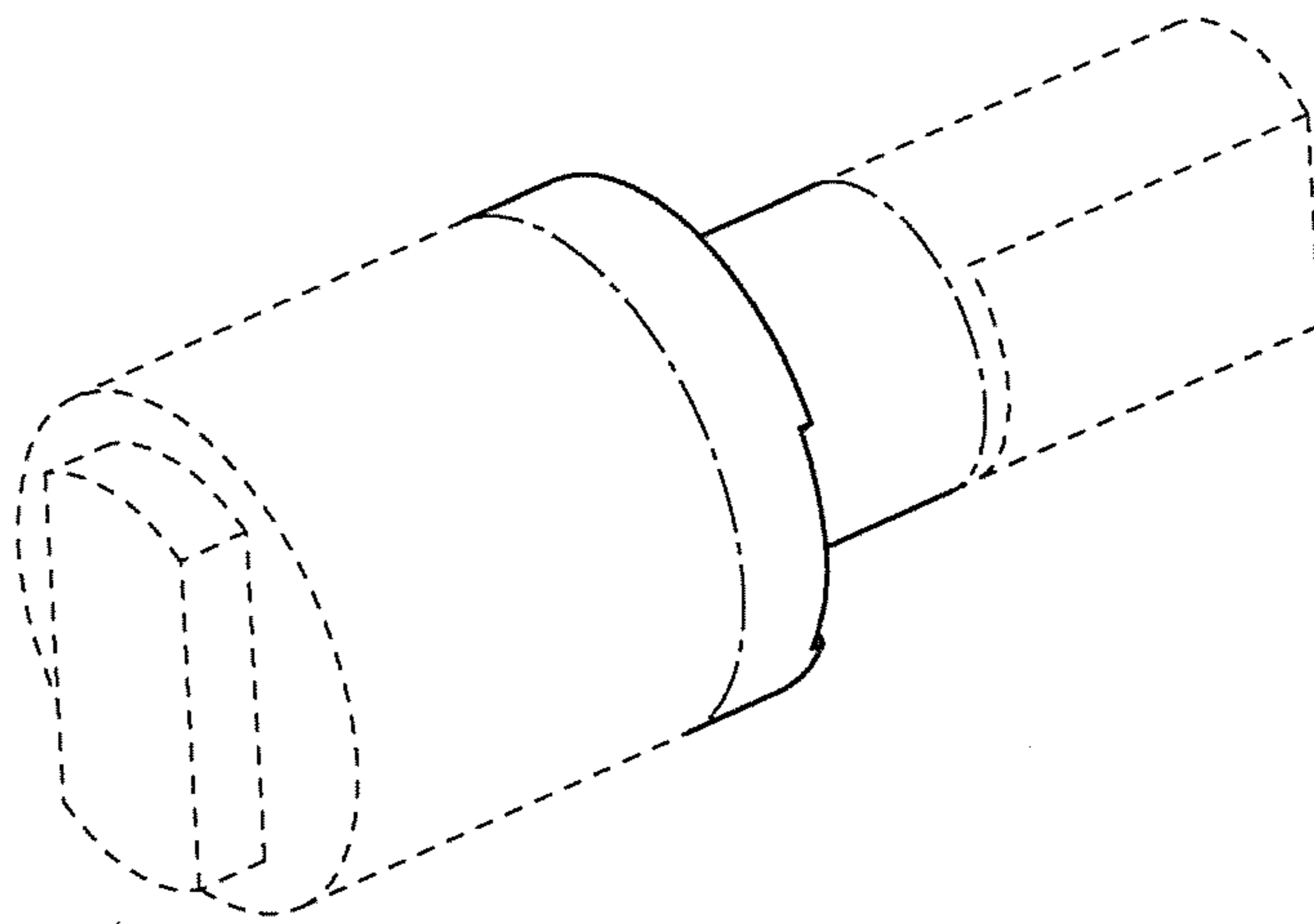
U.S. PATENT DOCUMENTS

D670,298	S *	11/2012	Shimozaki	.....	D14/483
D670,299	S *	11/2012	Suzuki	.....	D14/483
D670,300	S *	11/2012	Suzuki	.....	D14/483
D670,301	S *	11/2012	Suzuki	.....	D14/483
D670,302	S *	11/2012	Suzuki	.....	D14/483
D670,303	S *	11/2012	Shimozaki	.....	D14/483
D670,304	S *	11/2012	Shimozaki	.....	D14/483
D670,305	S *	11/2012	Shimozaki	.....	D14/483
D670,307	S *	11/2012	Shimozaki	.....	D14/483
8,307,503	B1 *	11/2012	Burger	.....	E05F 1/1215 16/277
8,439,172	B2 *	5/2013	Lee	.....	A47K 13/12 16/330
8,516,657	B2 *	8/2013	Yoshida	.....	A47K 13/12 16/284
8,769,770	B2 *	7/2014	Kullman	.....	B65F 1/068 16/49
9,414,724	B2 *	8/2016	Vallance	.....	A47K 13/12
2003/0126717	A1 *	7/2003	Iwashita	.....	A47K 13/10 16/82
2003/0234145	A1 *	12/2003	Iwashita	.....	A47K 13/12 188/290
2005/0246863	A1 *	11/2005	Chesworth	.....	E05F 1/063 16/221
2006/0230573	A1 *	10/2006	Kao	.....	E05F 3/20 16/50
2010/0102494	A1 *	4/2010	Duc	.....	E05F 1/12 267/140.12
2012/0080278	A1 *	4/2012	Lee	.....	A47K 13/12 188/283
2012/0090932	A1 *	4/2012	Liu	.....	A47K 13/12 188/290

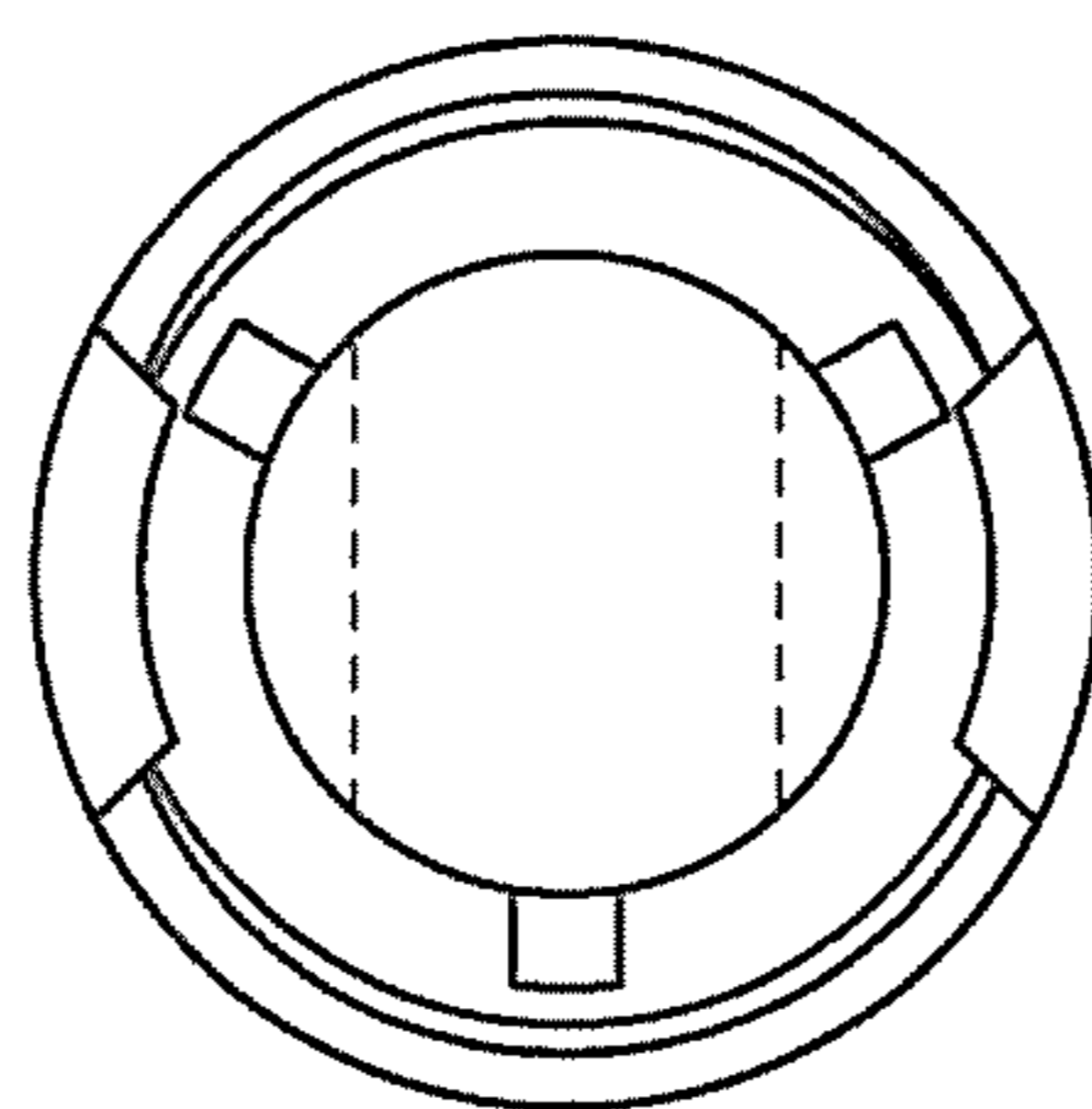
\* cited by examiner



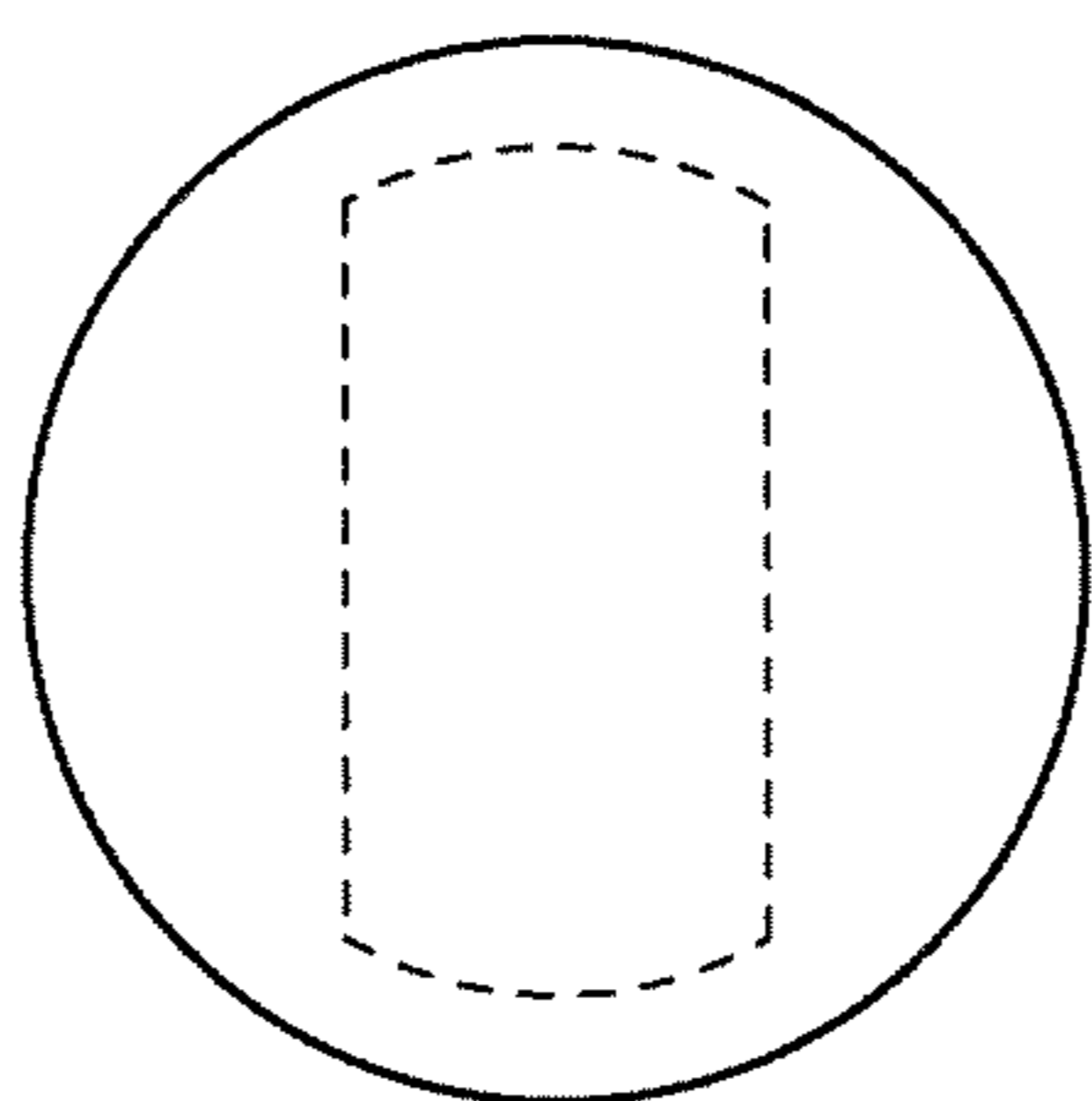
**FIG. 1**



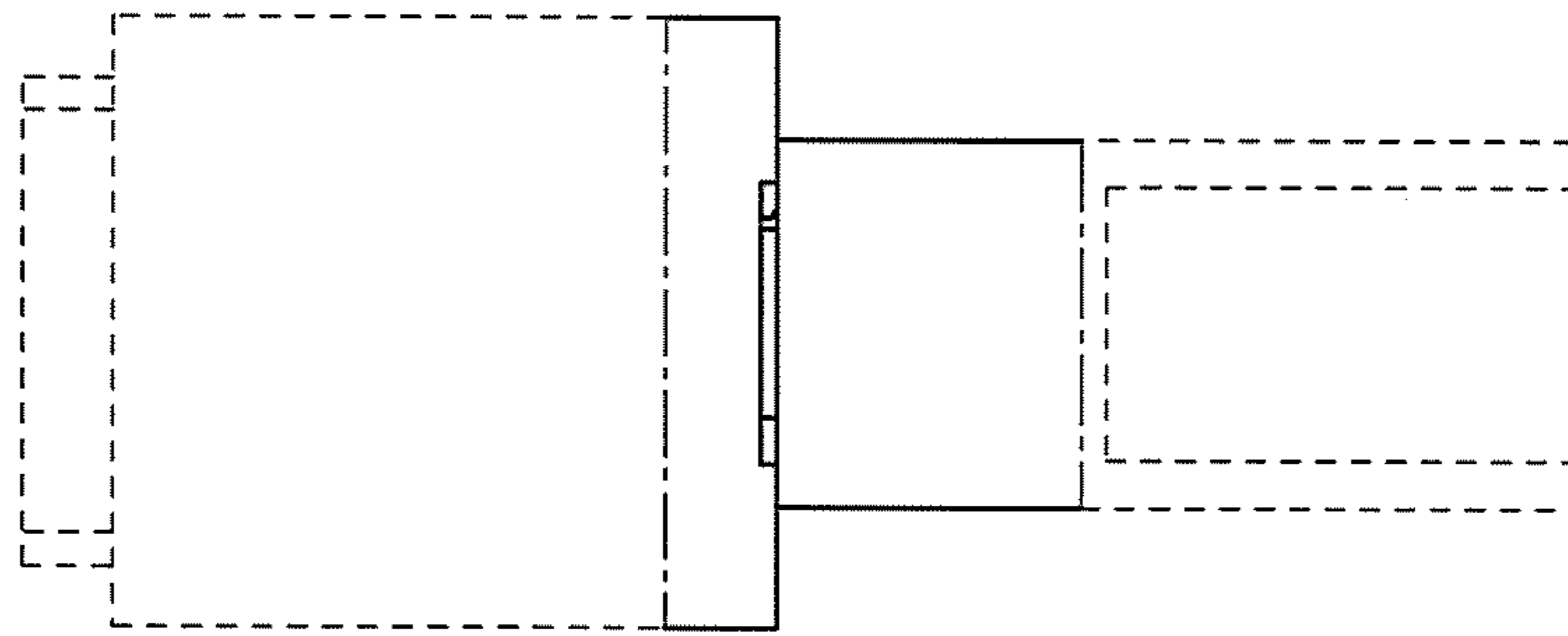
**FIG. 2**



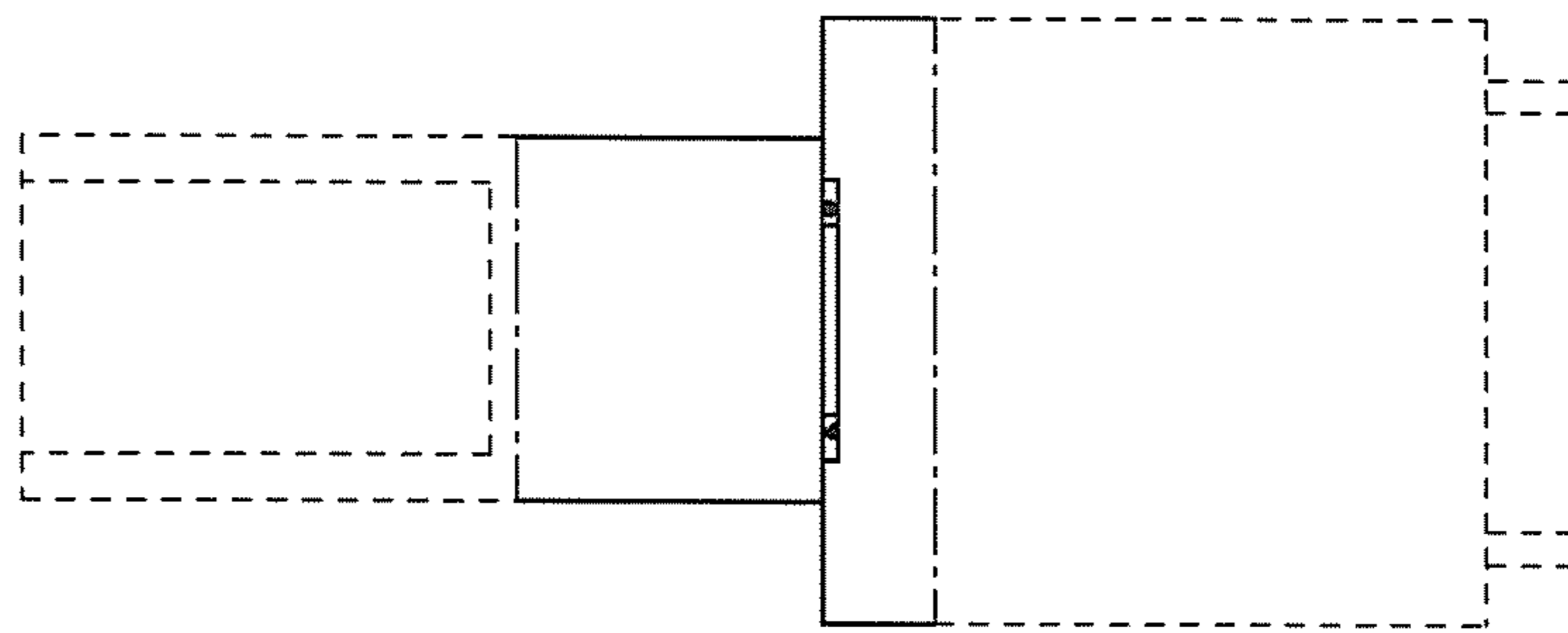
**FIG. 3**



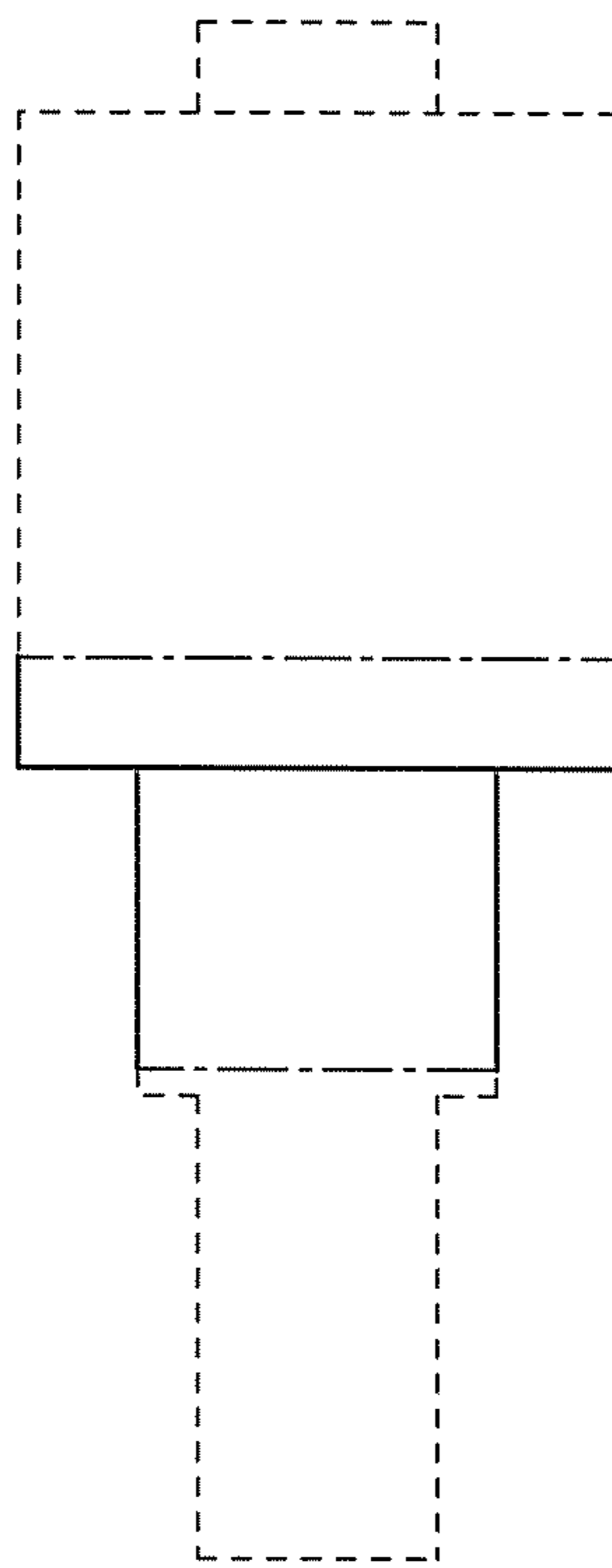
**FIG. 4**



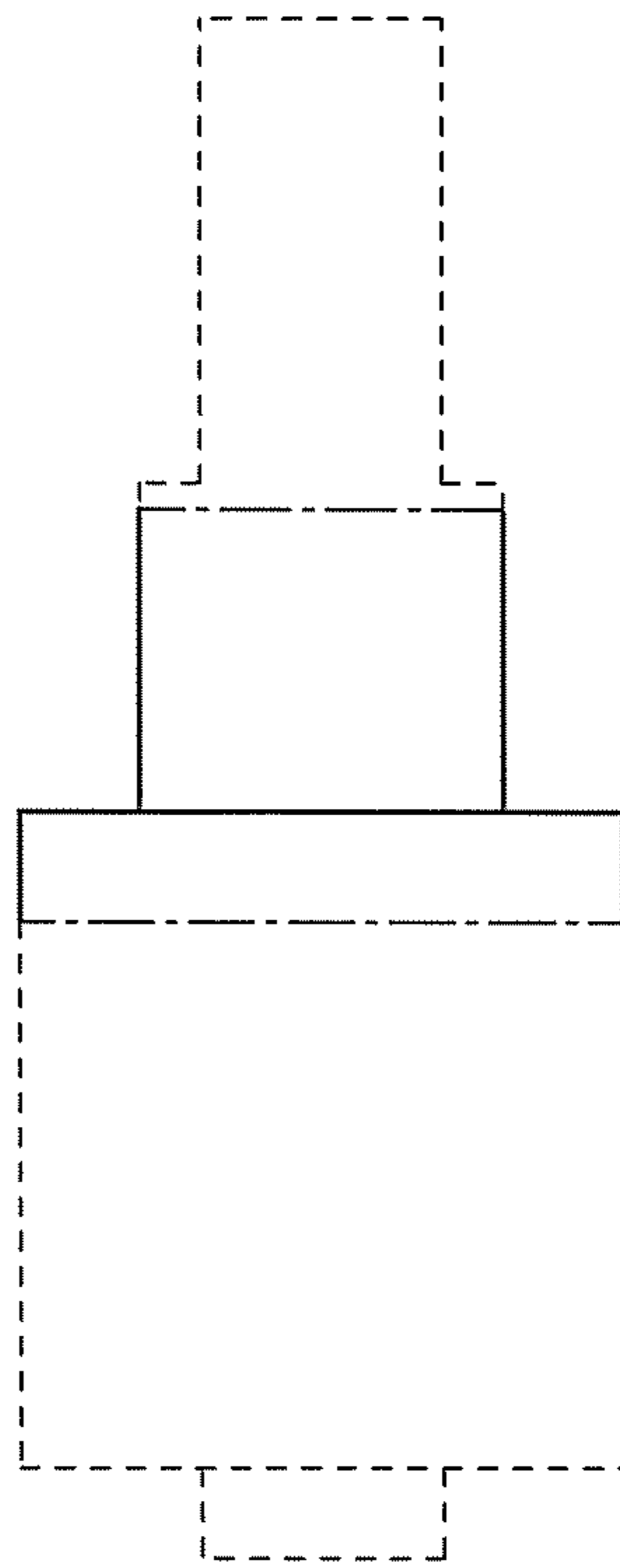
**FIG. 5**



**FIG. 6**



**FIG. 7**



**FIG. 8**