



US00D777167S

(12) **United States Design Patent** (10) **Patent No.:** **US D777,167 S**
Wengreen (45) **Date of Patent:** **** Jan. 24, 2017**

(54) **MOUNT FOR ELECTRONIC DEVICES**
(71) Applicant: **Innovelis, Inc.**, Sammamish, WA (US)
(72) Inventor: **Eric John Wengreen**, Sammamish, WA (US)
(73) Assignee: **Innovelis, Inc.**, Sammamish, WA (US)

4,158,450 A 6/1979 Suzuki
4,467,244 A 8/1984 Dickie
4,519,656 A 5/1985 Raz
D280,466 S 9/1985 Seltzer
D282,034 S 1/1986 Janke
4,602,761 A 7/1986 Carter
4,697,780 A 10/1987 Wenkman
4,746,042 A 5/1988 King

(Continued)

(**) Term: **15 Years**

OTHER PUBLICATIONS

(21) Appl. No.: **29/542,610**

Out of Sight Bracket—Website Part 1 (downloaded on Nov. 13, 2013 from http://www.outofsightbracket.com/OutOfSightBracket/Out_of_Sight_Bracket_for_Apple_TV.html). The website says the Out of Sight Bracket is “Patent Pending.” The Out of Sight Bracket might have been made by Gordon H. Beckhart.

(22) Filed: **Oct. 15, 2015**

(Continued)

(51) **LOC (10) Cl.** **08-07**

(52) **U.S. Cl.**
USPC **D14/447**

Primary Examiner — Angela J Lee

(58) **Field of Classification Search**
USPC D14/447, 432, 434, 439, 440, 451, 452,
D14/457, 239; D8/363, 373, 380;
D6/406.3, 406.4, 406.5, 406.6; D12/415
CPC A47B 21/04; A47B 2097/006; A47B
2097/005; A47B 2023/049; A45C
2011/002; A45C 2011/003; F16M
2200/00; F16M 13/00

(57) **CLAIM**

The ornamental design for a mount for electronic devices, as shown and described.

See application file for complete search history.

DESCRIPTION

(56) **References Cited**

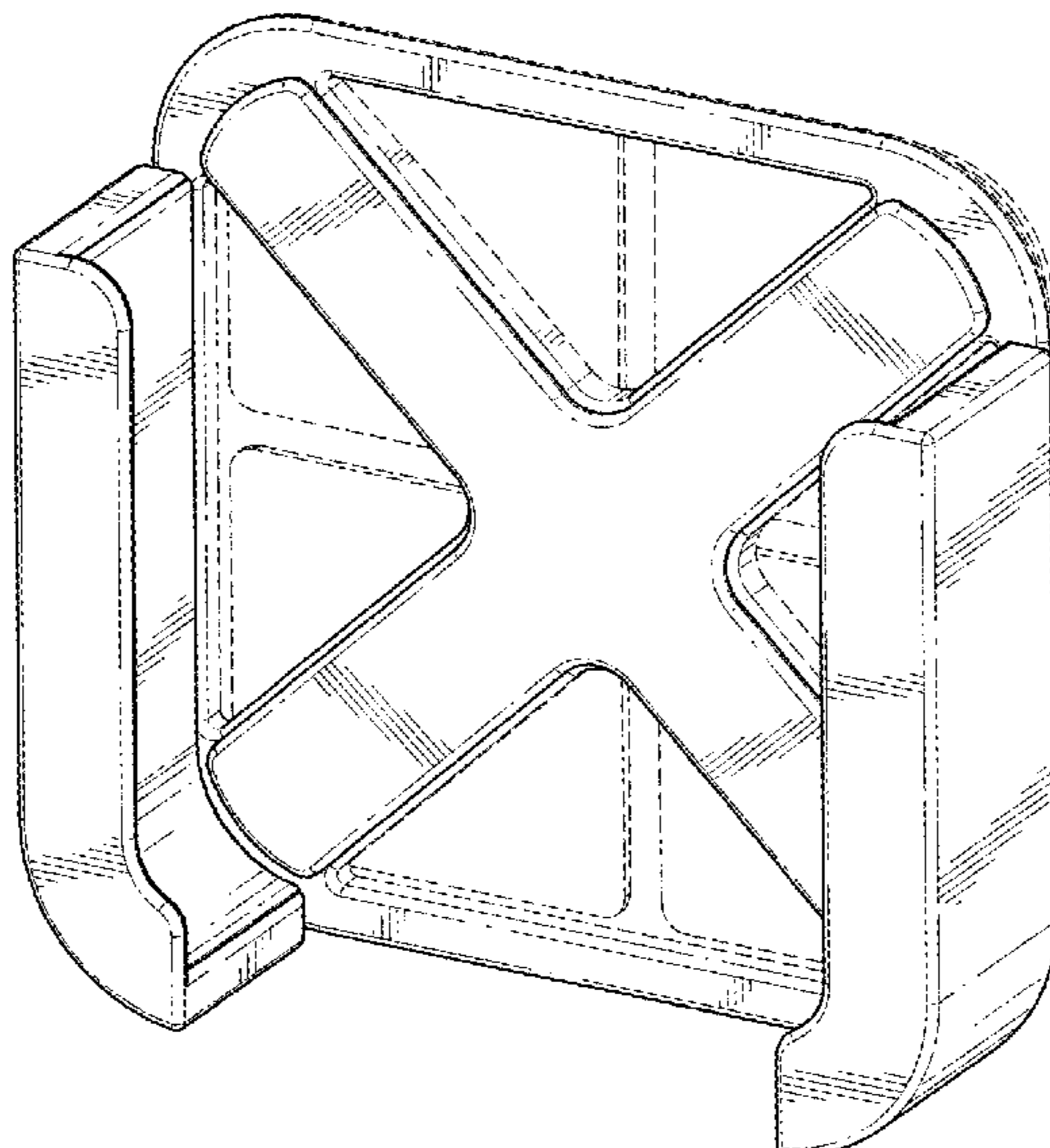
U.S. PATENT DOCUMENTS

1,618,573 A 2/1927 Cole
2,584,646 A 2/1952 Wagstaff
3,091,378 A 5/1963 O’Dwyer
D196,542 S 10/1963 Zelnick
3,176,950 A 4/1965 Hittesdorf
3,279,009 A 10/1966 Teasdale
3,294,298 A 12/1966 Danielson
3,477,679 A 11/1969 Lovitz
3,990,617 A 11/1976 Carter
D242,766 S 12/1976 Neece
4,067,532 A 1/1978 Viteretto

FIG. 1 is a front, side, and top perspective view of a mount for electronic devices embodying the new design; FIG. 2 is a back, side, and bottom perspective view thereof; FIG. 3 is a front view thereof; FIG. 4 is a back view thereof; FIG. 5 is a top view thereof; FIG. 6 is a bottom view thereof; and, FIG. 7 is a first side view thereof, the second side view being a mirror image.

The broken lines form no part of the claimed design. The broken lines depict portions of the mount for electronic devices in which the claimed design is embodied and form no part of the claimed design.

1 Claim, 3 Drawing Sheets



(56)

References Cited

U.S. PATENT DOCUMENTS

4,771,927	A	9/1988	Ventura	D560,411	S	1/2008	Chung	
4,815,683	A	3/1989	Ferrante	D564,529	S	3/2008	Hughes	
4,825,590	A	5/1989	Cullinane	D565,399	S	4/2008	Grey	
4,826,115	A	5/1989	Novitski	D568,889	S	5/2008	Hughes	
4,840,773	A	6/1989	Wade	7,367,089	B2	5/2008	Cooke	
4,852,843	A	8/1989	Chandler	D570,801	S	6/2008	Allen	
4,974,764	A	12/1990	Cantwell	D586,795	S	2/2009	Richter	
D317,157	S	5/1991	Jondelius	D596,172	S	7/2009	Ahlqvist	
5,038,985	A	8/1991	Chapin	D598,945	S	8/2009	Gillespie	
5,092,395	A	3/1992	Amidzich	7,580,255	B2	8/2009	Crooijmans	
5,227,582	A	7/1993	Velasco	D601,000	S	9/2009	Cole	
5,273,690	A	12/1993	McDowell	D609,030	S	2/2010	Barabas	
5,297,318	A	3/1994	Adolphson	D610,579	S	2/2010	Behar	
D351,341	S	10/1994	Hung	D624,949	S	10/2010	Nakayama	
5,385,282	A	1/1995	Chen	D625,729	S	10/2010	McNames	
5,400,990	A	3/1995	Frankel	D628,611	S	12/2010	Lewis	
D359,616	S	6/1995	Ishibashi	7,854,420	B2	12/2010	Depay	
D361,335	S	8/1995	Rudkiewicz	D633,503	S	3/2011	Bo	
D361,462	S	8/1995	Newham	7,959,121	B1	6/2011	Barnes	
D369,465	S	5/1996	Scheid	7,980,435	B2	7/2011	Tages	
5,535,093	A	7/1996	Noguchi	D648,727	S	11/2011	Van Den Nieuwenhuizen	
D376,787	S	12/1996	Calfee	D657,362	S	4/2012	Lister	
5,593,124	A	1/1997	Wang	D662,491	S	6/2012	Andre	
5,619,395	A	4/1997	McBride	D667,411	S	9/2012	Kim	
5,619,774	A	4/1997	Perry	D669,890	S	10/2012	Hopkins	D14/251
D388,107	S	12/1997	Huckins	D672,308	S	12/2012	Cobbett	
D390,849	S	2/1998	Richter	8,322,584	B2	12/2012	Dethmers	
5,850,998	A	12/1998	Parsey	D686,629	S	7/2013	Trinh	D14/447
D407,408	S	3/1999	Hoff	8,544,805	B2	10/2013	Virgin	
D409,079	S	5/1999	Sobczynski	D695,748	S	12/2013	Morris	
5,899,371	A	5/1999	Weliver	D700,832	S	3/2014	Ng	
D411,542	S	6/1999	Richter	D705,229	S	5/2014	Wengreen	
5,914,707	A	6/1999	Kono	D710,340	S	8/2014	Wengreen	
5,961,083	A	10/1999	Hartman	D712,906	S	9/2014	Wengreen	
5,979,724	A	11/1999	Loewenthal	D713,395	S	9/2014	Godycki	D14/250
D420,149	S	2/2000	Hersh	D713,399	S	9/2014	Green	
6,039,173	A	3/2000	Crow	8,848,113	B2	9/2014	Wengreen	
D425,353	S	5/2000	Foy	D714,793	S	10/2014	Kim	
6,073,901	A	6/2000	Richter	D716,580	S	11/2014	Wengreen	
		 B60R 11/0241	D717,804	S	11/2014	Budge	D14/447
			224/558	8,896,768	B1	11/2014	Wengreen	
6,102,660	A	8/2000	Lee	8,934,060	B1	1/2015	Wengreen	
6,105,923	A	8/2000	Robertson	8,934,061	B1	1/2015	Wengreen	
D431,250	S	9/2000	Richter	8,939,417	B1	1/2015	Wengreen	
6,163,997	A	12/2000	Deralas	D723,042	S	2/2015	Lee	
6,193,546	B1	2/2001	Sadler	8,988,616	B2	3/2015	Wengreen	
D443,493	S	6/2001	Skeem	D729,544	S	5/2015	Wengreen	D6/567
6,275,885	B1	8/2001	Chin	D732,939	S	6/2015	Cannaverde	
6,336,615	B1	1/2002	Jeon	D733,542	S	7/2015	Cannaverde	
D456,024	S	4/2002	Richter	D734,305	S	7/2015	Wengreen	
D456,413	S	4/2002	Malson	D735,174	S	7/2015	Wengreen	
6,485,144	B1	11/2002	Liao	9,131,195	B2	9/2015	Wengreen	
D471,547	S	3/2003	Ruohonen	D746,599	S	1/2016	Olson	D6/300
6,554,527	B1	4/2003	O'Donnell	D749,549	S	2/2016	Wengreen	
6,560,983	B1	5/2003	Schimmeyer	D749,597	S	2/2016	Wengreen	
6,691,374	B2	2/2004	Coyne	D752,415	S	3/2016	Lu	
6,888,940	B1	5/2005	Deppen	9,339,112	B2	5/2016	Wengreen	
D508,605	S	8/2005	Shih-Ming	D759,005	S	6/2016	Murakami	D14/251
6,939,641	B2	9/2005	Kincaid	D763,835	S	8/2016	Wengreen	D14/238.1
7,047,601	B1	5/2006	Vernon-Woods	D765,063	S	8/2016	Wengreen	D14/238.1
7,079,384	B2	7/2006	Wang	D765,064	S	8/2016	Wengreen	D14/238.1
7,080,764	B2	7/2006	McNicholas	D770,171	S	11/2016	Lai	D14/253
7,113,218	B2	9/2006	Battles	2005/0023419	A1	2/2005	Frankel	
D529,713	S	10/2006	Guyot	2005/0211861	A1	9/2005	Lee	
D529,905	S	10/2006	Richter	2005/0236541	A1	10/2005	Chang	
D530,713	S	10/2006	Richter	2006/0224575	A1	10/2006	Ostojic	
D533,175	S	12/2006	Richter	2007/0097617	A1	5/2007	Searby	
7,145,603	B2	12/2006	Whitby	2007/0235609	A1	10/2007	Chun	
D535,826	S	1/2007	Toghanian	2007/0264169	A1	11/2007	Chen	
D536,239	S	2/2007	Tallman	2008/0078793	A1	4/2008	Brown	
7,222,762	B2	5/2007	Rees	2009/0218454	A1	9/2009	Stanley	
D545,343	S	6/2007	Braun	2009/0296997	A1	12/2009	Rocheford	
D547,863	S	7/2007	Heinsch	2010/0281671	A1	11/2010	De Vaan	
D551,008	S	9/2007	Hidalgo	2010/0288895	A1	11/2010	Shamie	
D553,352	S	10/2007	Allen	2010/0314277	A1	12/2010	Murray	
D557,266	S	12/2007	Hughes	2011/0242439	A1	10/2011	Calderon	
				2012/0126081	A1	5/2012	Wengreen	
				2012/0127379	A1	5/2012	Wengreen	
				2012/0168516	A1	7/2012	Bolger	

(56)

References Cited

U.S. PATENT DOCUMENTS

2012/0312950 A1 12/2012 Sears
 2014/0061406 A1 3/2014 Chevalier
 2014/0241705 A1* 8/2014 Wengreen H04N 5/64
 386/359
 2015/0305502 A1 10/2015 Wengreen

OTHER PUBLICATIONS

Out of Sight Bracket—Website Part 2 (downloaded on Nov. 13, 2013 from http://www.outofsightbracket.com/OutOfSightBracket/How_to_mount_your_Apple_TV_or_AirPort_Express.html). The website says the Out of Sight Bracket is “Patent Pending.” The Out of Sight Bracket might have been made by Gordon H. Beckhart.
 Out of Sight Bracket—Website Part 3 (downloaded on Nov. 13, 2013 from <http://www.soundandvision.com/content/bracket-keeps-apple-airport-express-and-apple-tv-out-sight>).
 TV Tray—Website (downloaded on Nov. 13, 2013 from <http://h-sq.com/products/tvtray/>).
 TV Tray—Installation Guide (downloaded on Nov. 13, 2013 from http://www.h-sq.com/downloads/tvtx_ug.pdf).
 Cosmos Tray—Website (downloaded on Nov. 13, 2013 from http://www.amazon.com/Cosmos-MD199LL-AirPort-Express-Station/dp/B00C2JNGB2/ref=sr_1_4?ie=UTF8&qid=1384406376&sr=8-4&keywords=apple+tv+mount).
 CTA Digital—Website (downloaded on Nov. 13, 2013 from <http://www.ctadigital.com/downloads/KIN-WMC-final.pdf>).
 PDP Mounting Clip—Part 1 (downloaded on Nov. 13, 2013 from <http://www.amazon.com/Kinect-Sensor-TV-Mounting-Clip-Xbox/dp/B004XV6ST4>).
 PDP Mounting Clip—Part 2 (downloaded on Nov. 13, 2013 from http://www.microsoftstore.com/store/msusa/en_US/pdp/Kinect-Sensor-TV-Mounting-Clip/productID.253726200).
 PDP Mounting Clip—Part 3 (downloaded on Nov. 13, 2013 from <http://www.bestbuy.com/site/pdp-sensor-mounting-clip-for-kinect/3521258.p?id=1218408957863&skuId=3521258>).
 ScreenDeck (downloaded on Nov. 13, 2013 from http://news.cnet.com/8301-17938_105-20071226-1/screendeck-adds-top-shelf-to-your-flat-panel-tv/).
 Center Stage Bracket—Part 1 (downloaded on Nov. 13, 2013 from <http://www.bestbuy.com/site/center-stage-bracket-satellite-center-channel-speaker-shelf-bracket-black/5857191.p?id=1218697292805&skuId=5857191>).
 Center Stage Bracket—Part 2 (downloaded on Nov. 13, 2013 from <http://www.bestbuy.com/site/center-stage-bracket-satellite-center-channel-speaker-shelf-bracket-black/5857191.p?id=1218697292805&skuId=5857191>).
 DreamGear TriMount (downloaded on Nov. 14, 2013 from <http://www.dreamgear.net/shop-by-platform/universal/trimount.html>).
 Cisco router wall mounting instructions (downloaded on Jan. 2, 2014 from <http://www.cisco.com/en/US/docs/routers/access/1800/1841/hardware/installation/guide/18inst.pdf>).
 Cisco wall mounting bracket (downloaded on Jan. 2, 2014 from <http://www.cisco.com/en/US/docs/routers/access/800/806/hardware/installation/guide/install.pdf>).
 Netgear ProSafe (downloaded on Jan. 2, 2014 from http://www.storagereview.com/netgear_prosafe_wndap660_dualband_wireless_access_point_review) article includes a date of Dec. 21, 2012.
 Wireless router picture (downloaded on Jan. 2, 2014 from <http://www.techwarelabs.com/wp-content/gallery/genius-esr9850-wireless-router/router-bottom.jpg>).
 Apple TV, downloaded on Feb. 3, 2014 from <http://www.apple.com/appletv/what-is/>.
 Roku media players—Part 1, downloaded on Feb. 3, 2014 from <http://www.roku.com/products/roku-2>.

Roku media players—Part 2, downloaded on Feb. 3, 2014 from <http://www.roku.com/products/compare>.
 Innovelis, Inc. Product—TotalMount—Apple TV Mounting Kit, downloaded from Amazon.com on Feb. 3, 2014, first available on Amazon.com on Jun. 22, 2011: http://www.amazon.com/TotalMount-Apple-Universal-Mounting-Kit/dp/B0057CVH6W/ref=sr_1_1?ie=UTF8&qid=1391473446&sr=8-1&keywords=TOTALMOUNT.
 Innovelis, Inc. Product—TotalMount—Roku Mounting Kit, downloaded from Amazon.com on Feb. 3, 2014, first available on Amazon.com on Jun. 14, 2012: http://www.amazon.com/TotalMount-ROKU-UNIVERSAL-MOUNTING-Compatible/dp/B008B1125W/ref=sr_1_2?ie=UTF8&qid=1391473922&sr=8-2&keywords=totalmount.
 Innovelis, Inc. Product—TotalMount—Remote Holder, downloaded from Amazon.com on Feb. 3, 2014, first available on Amazon.com on Jul. 2, 2013: http://www.amazon.com/Apple-TV-Remote-Holder-TotalMount/dp/B00DR76YJO/ref=sr_1_3?ie=UTF8&qid=1391474218&sr=8-3&keywords=totalmount.
 Innovelis, Inc. Product—TotalMount—AirPort Express Mounting Kit, downloaded from Amazon.com on Feb. 3, 2014, first available on Amazon.com in approximately Sep. 2012: http://www.amazon.com/TotalMount-AirPort-Express-Mounting-Kit/dp/B009HC7BL8/ref=sr_1_4?ie=UTF8&qid=1391474218&sr=8-4&keywords=totalmount.
 Innovelis, Inc. Product—TotalMount—Roku Mounting Kit (Version 1), downloaded from Amazon.com on Feb. 3, 2014, first available on Amazon.com on Jan. 19, 2012: http://www.amazon.com/TotalMount-ROKU-MOUNTING-Compatible-Roku/dp/B006ZS4R46/ref=sr_1_5?ie=UTF8&qid=1391474218&sr=8-5&keywords=totalmount.
 Innovelis, Inc. Product—TotalMount—AirPort Extreme Mounting Kit, downloaded from Amazon.com on Feb. 3, 2014, first available on Amazon.com in approximately Apr. 2013: http://www.amazon.com/TotalMount-Compatible-generations-compatible-generation/dp/B00CK2CDLK/ref=sr_1_7?ie=UTF8&qid=1391474218&sr=8-7&keywords=totalmount.
 Innovelis, Inc. Product—TotalMount—Vizio Mounting Kit, downloaded from Amazon.com on Feb. 3, 2014, first available on Amazon.com in approximately May 2013: http://www.amazon.com/TotalMount-VIZIO-Co-Star-Mounting-Kit/dp/B00GDMXSZ8/ref=sr_1_10?ie=UTF8&qid=1391474218&sr=8-10&keywords=totalmount.
 Innovelis, Inc. Product—TotalMount—Amazon Fire TV Mounting System, downloaded from Amazon.com on Mar. 7, 2016, first available on Amazon.com in approximately Jul. 2014 http://www.amazon.com/TotalMount-VIZIO-Co-Star-Mounting-Kit/dp/B00GDMXSZ8/ref=sr_1_10?ie=UTF8&qid=1391474218&sr=8-10&keywords=totalmount.
 Amazon Fire TV, downloaded on Jun. 2, 2014 from <http://www.amazon.com/Fire-TV-streaming-media-player/dp/B00CX5P8FC>.
 Logitech HD Pro Webcam C910, downloaded on Oct. 9, 2014 from http://www.amazon.com/Logitech-Webcam-C910-1080p-Video/dp/B003M2YT96/ref=sr_1_6?ie=UTF8&qid=1287528024&sr=8-6.
 HP KQ246AA 8.0 MP Deluxe Webcam, downloaded on Oct. 9, 2014 from http://www.amazon.com/HP-KQ246AA-8-0-Deluxe-Webcam/dp/B001D8AGA2/ref=sr_1_4?ie=UTF8&qid=1410543707&sr=8-4&keywords=hp+webcam.
 Logitech Webcam C200, downloaded on Oct. 9, 2014 from http://www.amazon.com/Logitech-960-000415-Webcam-C200/dp/B002GP7ZTQ/ref=pd_cp_pc_0.
 USB 6 LED PC Webcam, downloaded on Oct. 9, 2014 from http://www.amazon.com/Webcam-Camera-Night-Vision-Meeting/dp/B00MTGV4F8/ref=sr_1_88?s=electronics&ie=UTF8&qid=1410543946&sr=1-88&keywords=webcam+clamp.
 Twelve South—HiRise Owner’s Guide (showing additional details regarding the product shown in U.S. Pat. No. D713,399), available at least as early as Aug. 8, 2013.

* cited by examiner

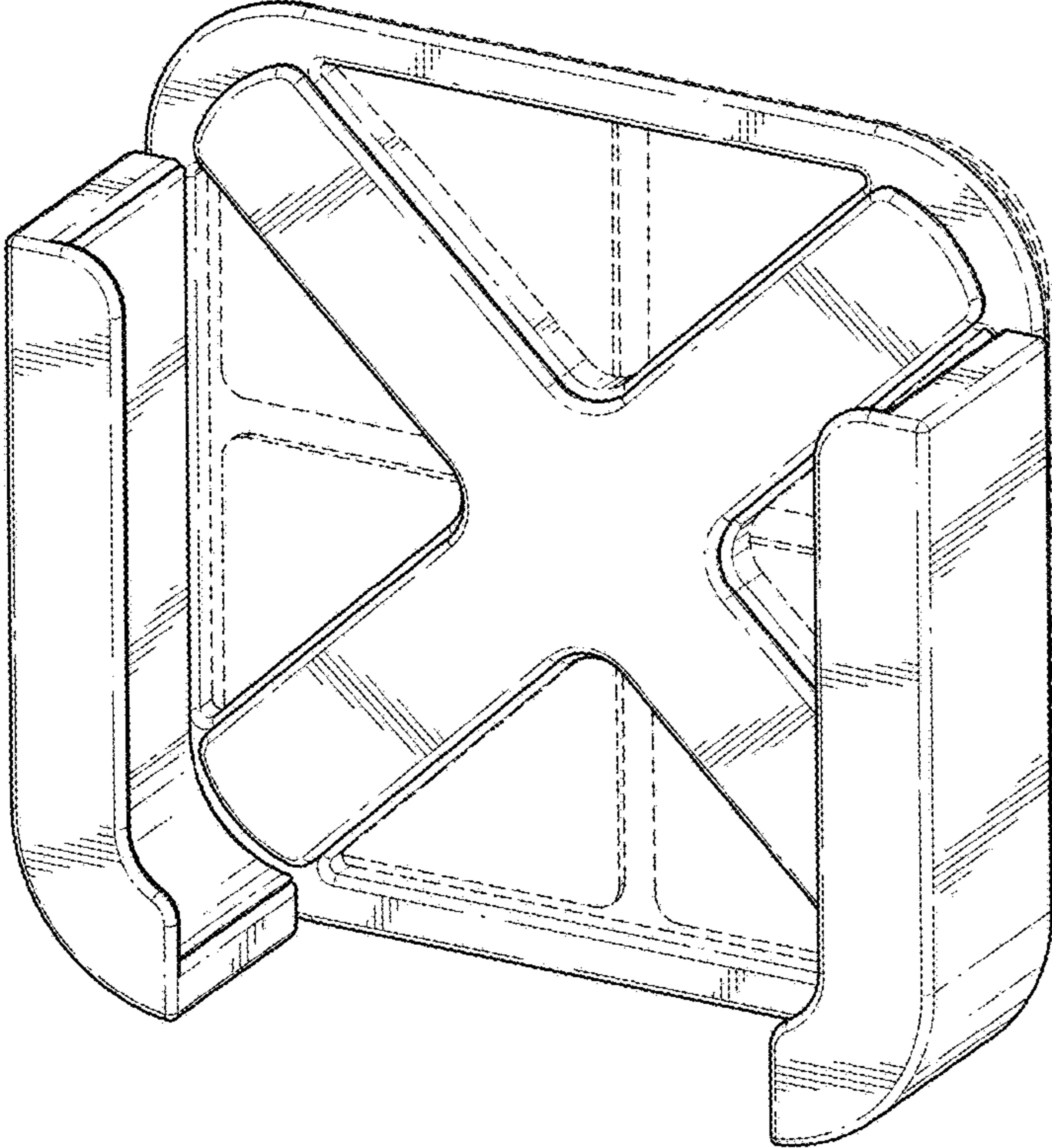


FIG. 1

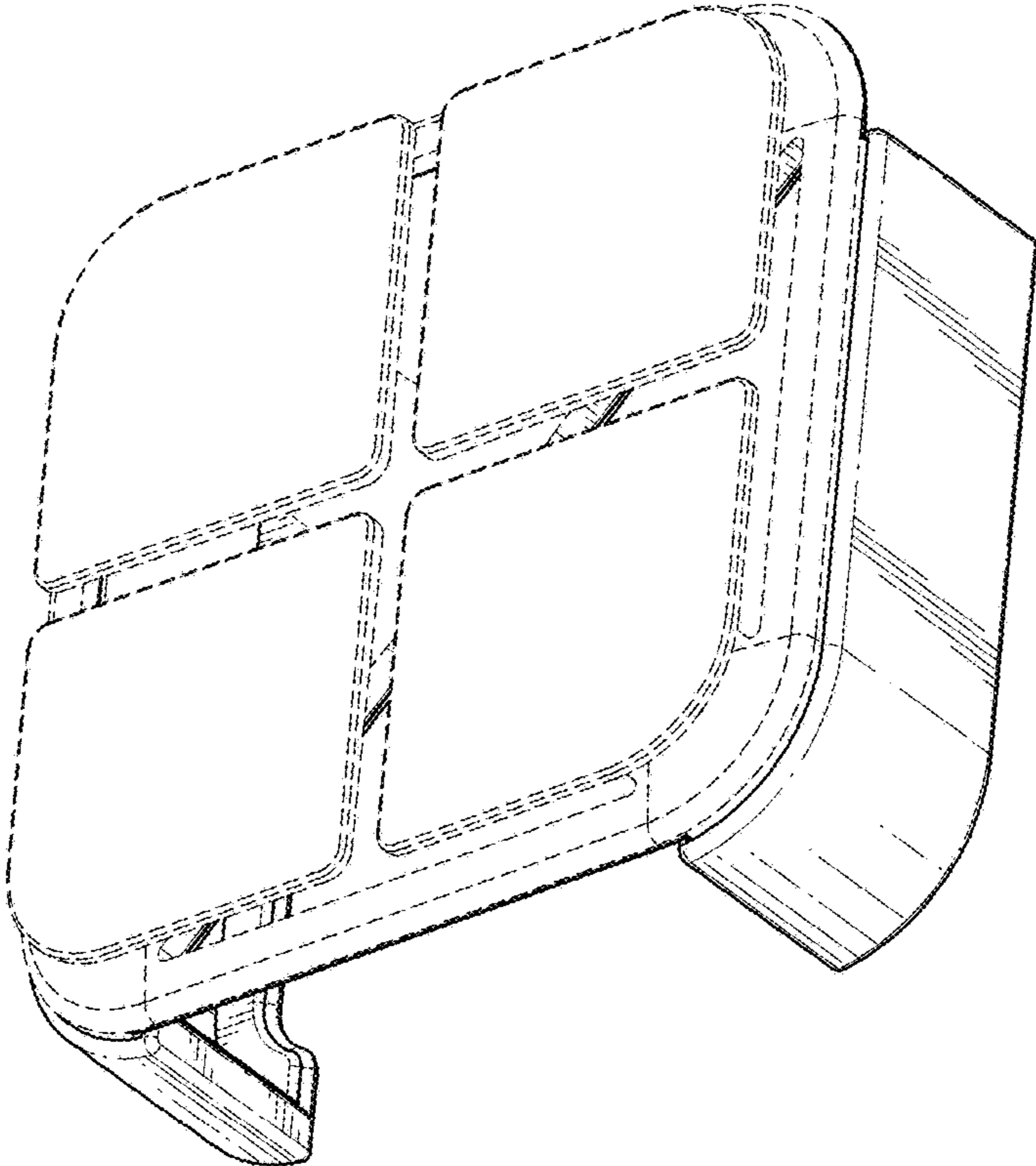


FIG. 2

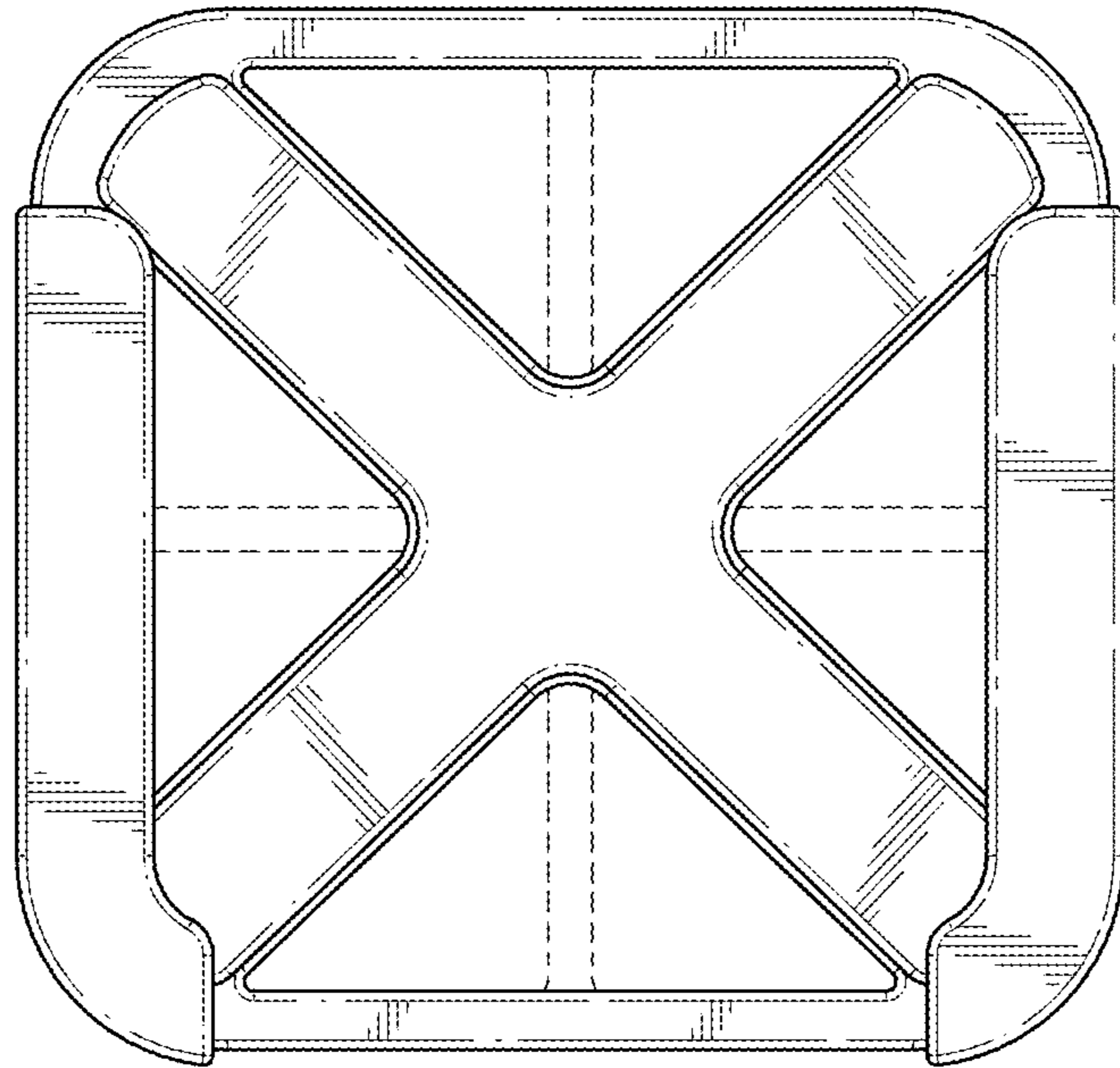


FIG. 3

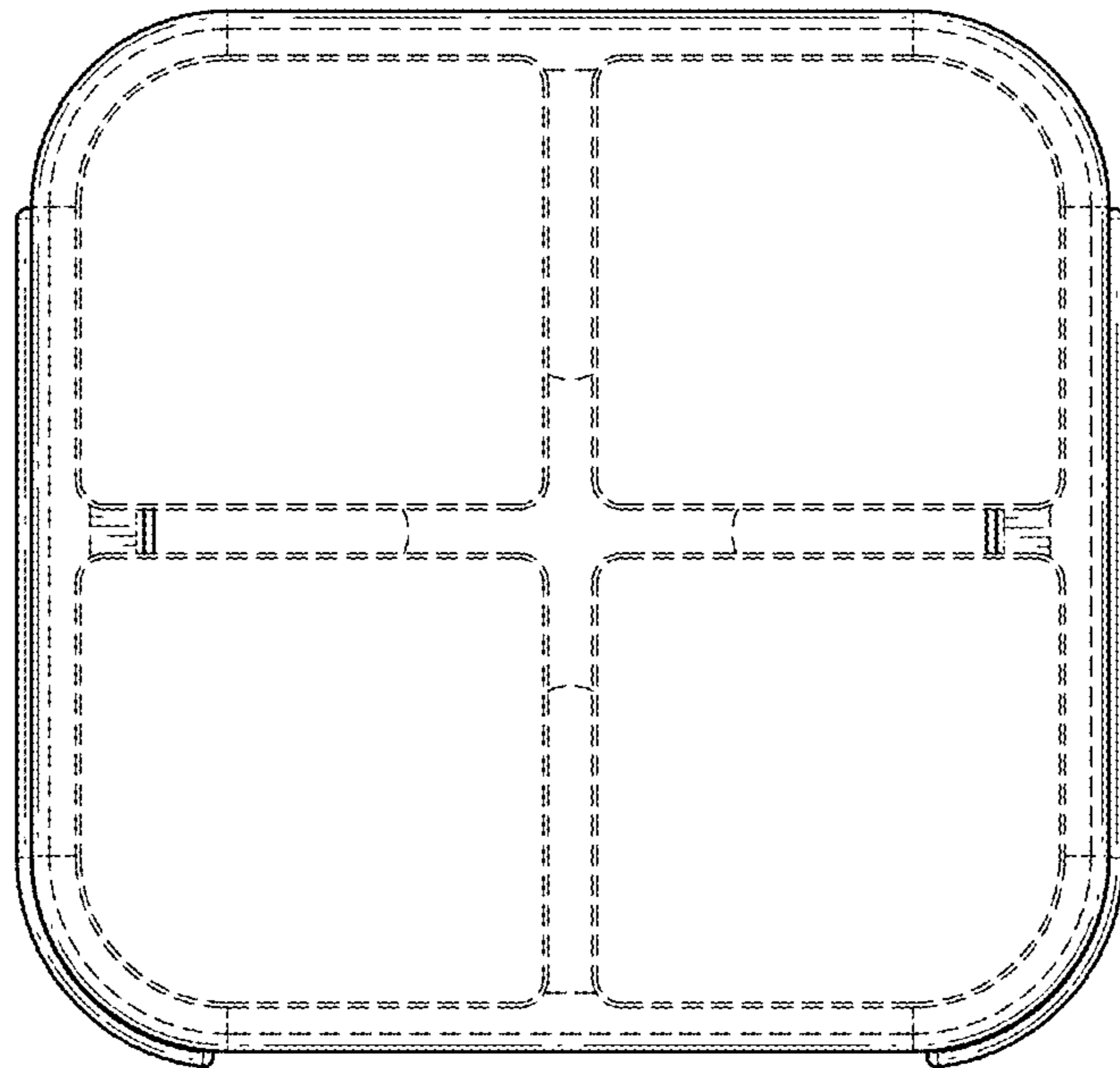


FIG. 4

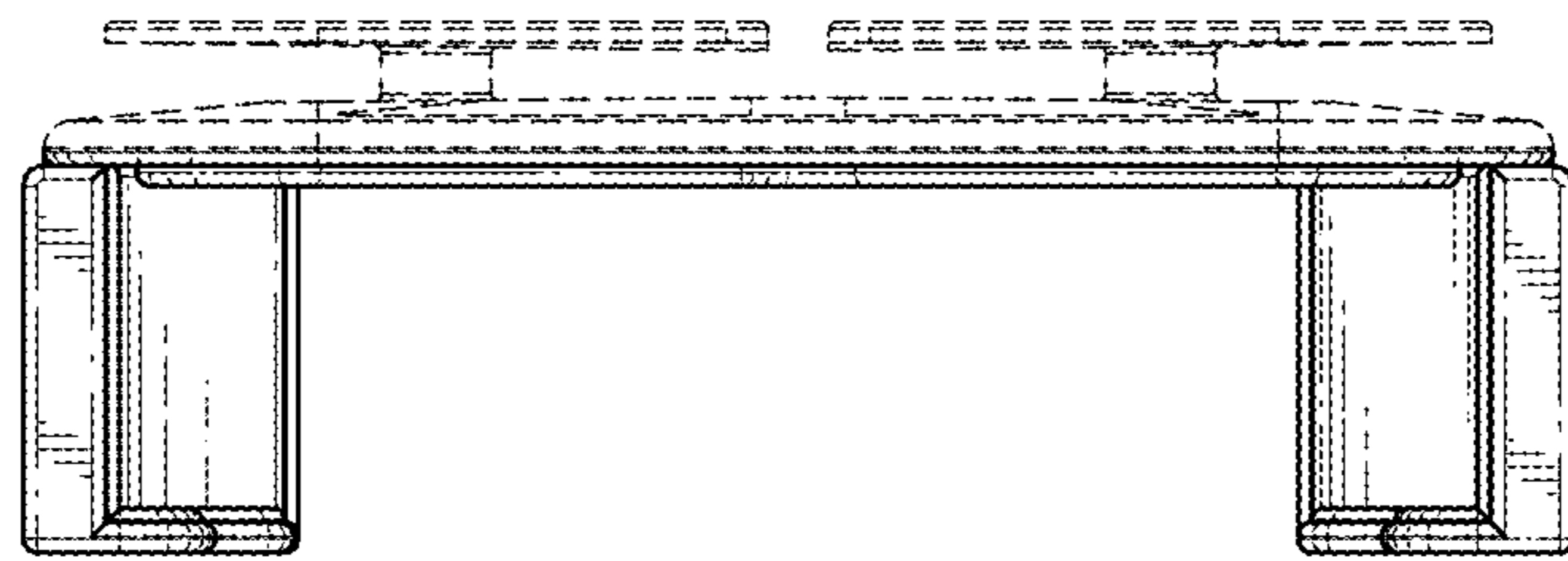


FIG. 5

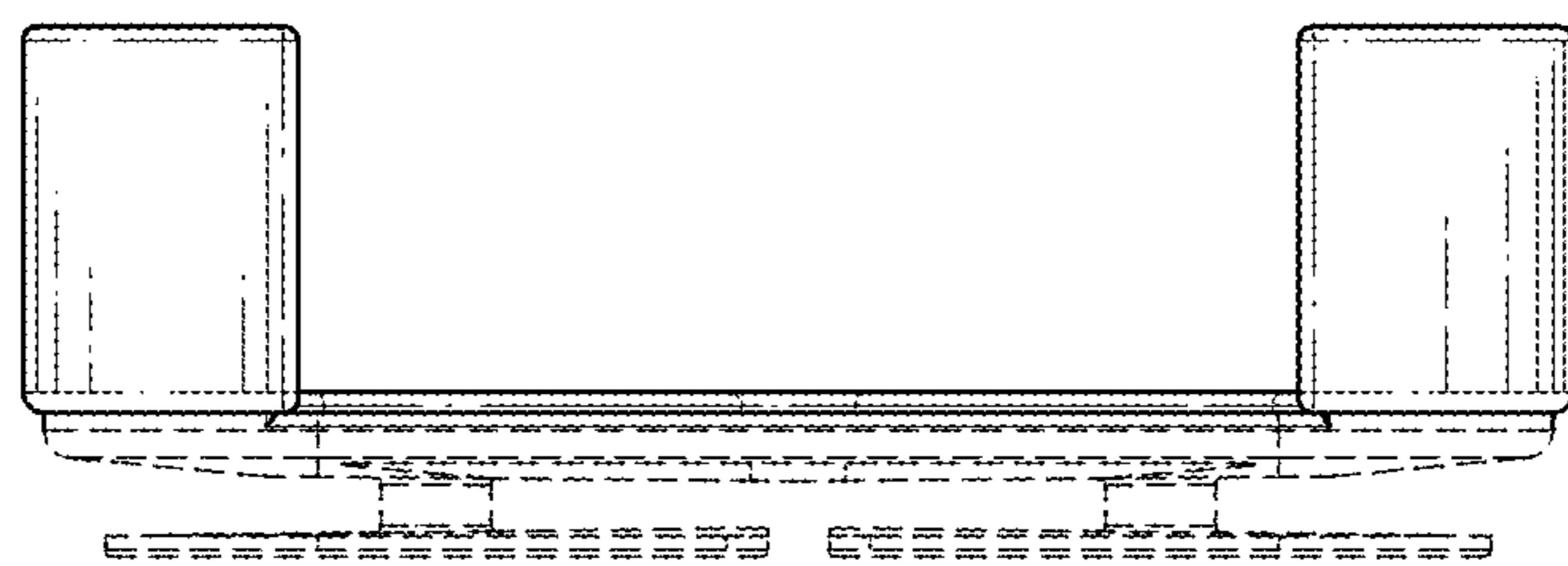


FIG. 6

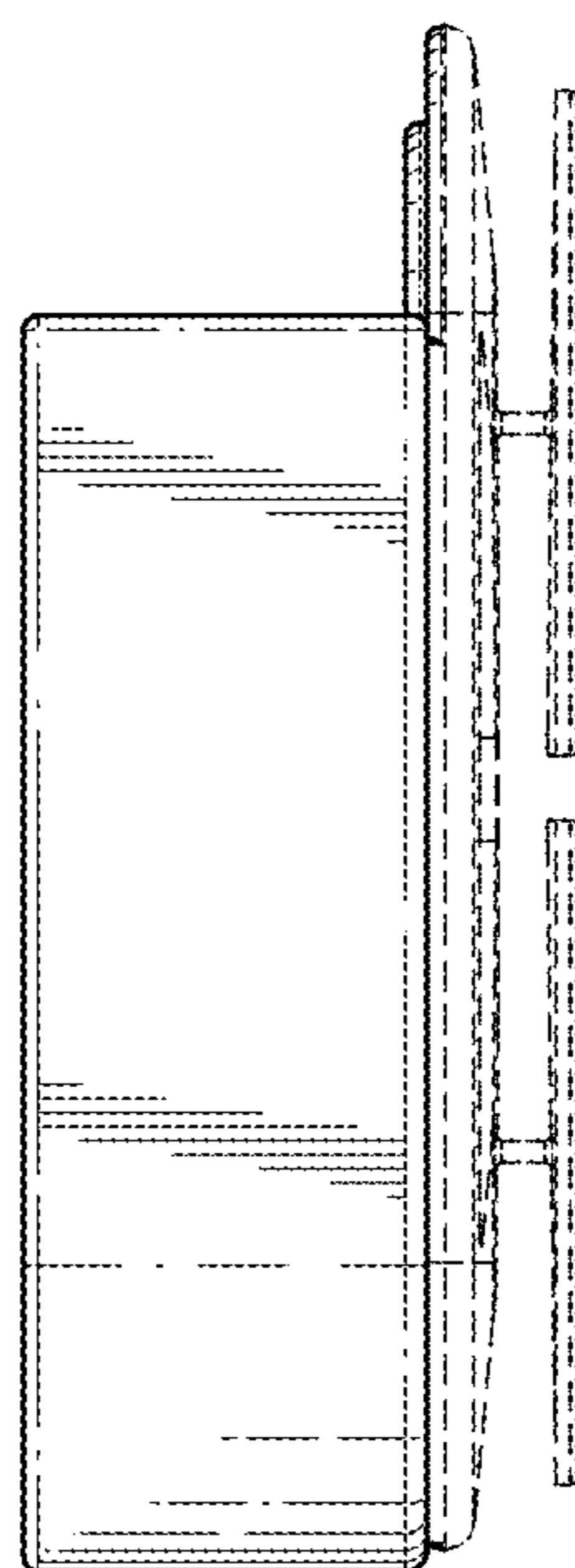


FIG. 7