



US00D777166S

(12) **United States Design Patent** (10) **Patent No.:** **US D777,166 S**  
**Bidwell et al.** (45) **Date of Patent:** **\*\* Jan. 24, 2017**

(54) **HANDLE FOR A TABLET COMPUTER**

(71) Applicant: **Hand Held Products, Inc.**, Fort Mill, SC (US)

(72) Inventors: **Dean Jeffrey Bidwell**, Renton, WA (US); **Matthew Willkens**, Seattle, WA (US); **Michael Wells**, Lake Stevens, WA (US); **Hyung Kim**, Lynnwood, WA (US); **David Memke**, Bainbridge Island, WA (US); **Andrew Walston**, Clinton, WA (US)

(73) Assignee: **Hand Held Products, Inc.**, Fort Mill, SC (US)

(\*\*) Term: **14 Years**

(21) Appl. No.: **29/523,098**

(22) Filed: **Apr. 7, 2015**

(51) **LOC (10) Cl.** ..... **08-07**

(52) **U.S. Cl.**  
USPC ..... **D14/447**

(58) **Field of Classification Search**  
USPC ..... D14/447, 432, 434, 439, 440, 451, 452, D14/457, 250, 251, 253; D3/218; D6/406.3, 406.4, 406.5, 406.6  
CPC ..... A45C 2011/003; A45C 2011/002; A45C 13/002; A47B 2023/049; A47B 2097/005; A47B 2097/006; A47B 21/04; A47B 23/00; A47B 23/043; A47B 2021/0307; A47B 2023/005; F16M 2200/00; H04B 1/3888; H04M 1/185; H04M 1/04

See application file for complete search history.

(56) **References Cited**

U.S. PATENT DOCUMENTS

D471,906 S \* 3/2003 Salazar ..... D13/108  
6,726,070 B2 4/2004 Lautner  
D554,116 S \* 10/2007 Liu ..... D13/108

D633,095 S 2/2011 Cullen et al.  
D643,430 S \* 8/2011 Nuovo ..... D14/434  
D681,647 S \* 5/2013 Choi ..... D14/451  
D688,672 S \* 8/2013 Seo ..... D14/451  
D697,920 S \* 1/2014 Fujioka ..... D14/447

(Continued)

FOREIGN PATENT DOCUMENTS

CA 2673217 A1 10/2009  
WO 2012/016281 A1 2/2012  
WO 2013/003146 A1 1/2013

OTHER PUBLICATIONS

Candies, Smartphone/Tables Stand-Pistol Grip, downloaded at <http://www.candies-gifts.com/smartphone-tablet-stand-postol-grip-green.html>, Dec. 2, 2013, pp. 1-2.

*Primary Examiner* — Angela J Lee

(74) *Attorney, Agent, or Firm* — Additon, Higgins & Pendleton, P.A.

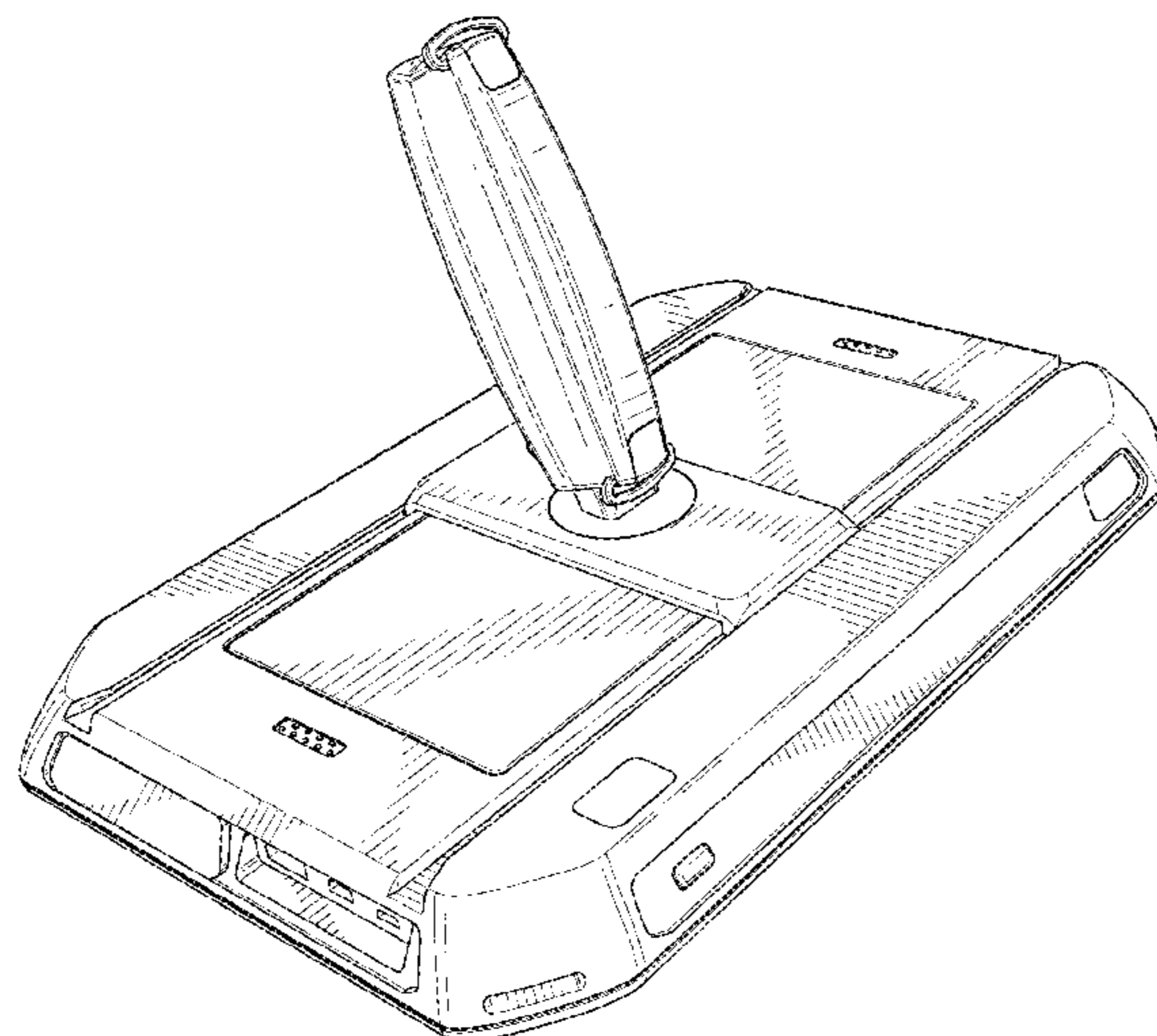
(57) **CLAIM**

The ornamental design for a handle for a tablet computer, as shown and described.

**DESCRIPTION**

FIG. 1 is a back perspective view of a first embodiment of the handle for a tablet computer.  
FIG. 2 is a top elevation view of the first embodiment of the handle for a tablet computer.  
FIG. 3 is a bottom elevation view of the first embodiment of the handle for a tablet computer.  
FIG. 4 is a right elevation view of the first embodiment of the handle for a tablet computer.  
FIG. 5 is a left elevation view of the first embodiment of the handle for a tablet computer.  
FIG. 6 is a back elevation view of the first embodiment of the handle for a tablet computer; and,  
FIG. 7 is a front elevation view of the first embodiment of the handle for a tablet computer.

**1 Claim, 7 Drawing Sheets**



(56)

**References Cited**

U.S. PATENT DOCUMENTS

D712,905 S *	9/2014	Miyazaki .....	D14/447
D713,399 S *	9/2014	Green .....	D14/253
D714,281 S *	9/2014	Reznik .....	D14/251
D733,116 S *	6/2015	Aspinall .....	D14/253
D745,014 S *	12/2015	Vales .....	D14/447
D748,935 S *	2/2016	Jiang .....	D14/235
D749,081 S *	2/2016	Serfoss .....	D14/447
2012/0326003 A1	12/2012	Solow et al.	

\* cited by examiner

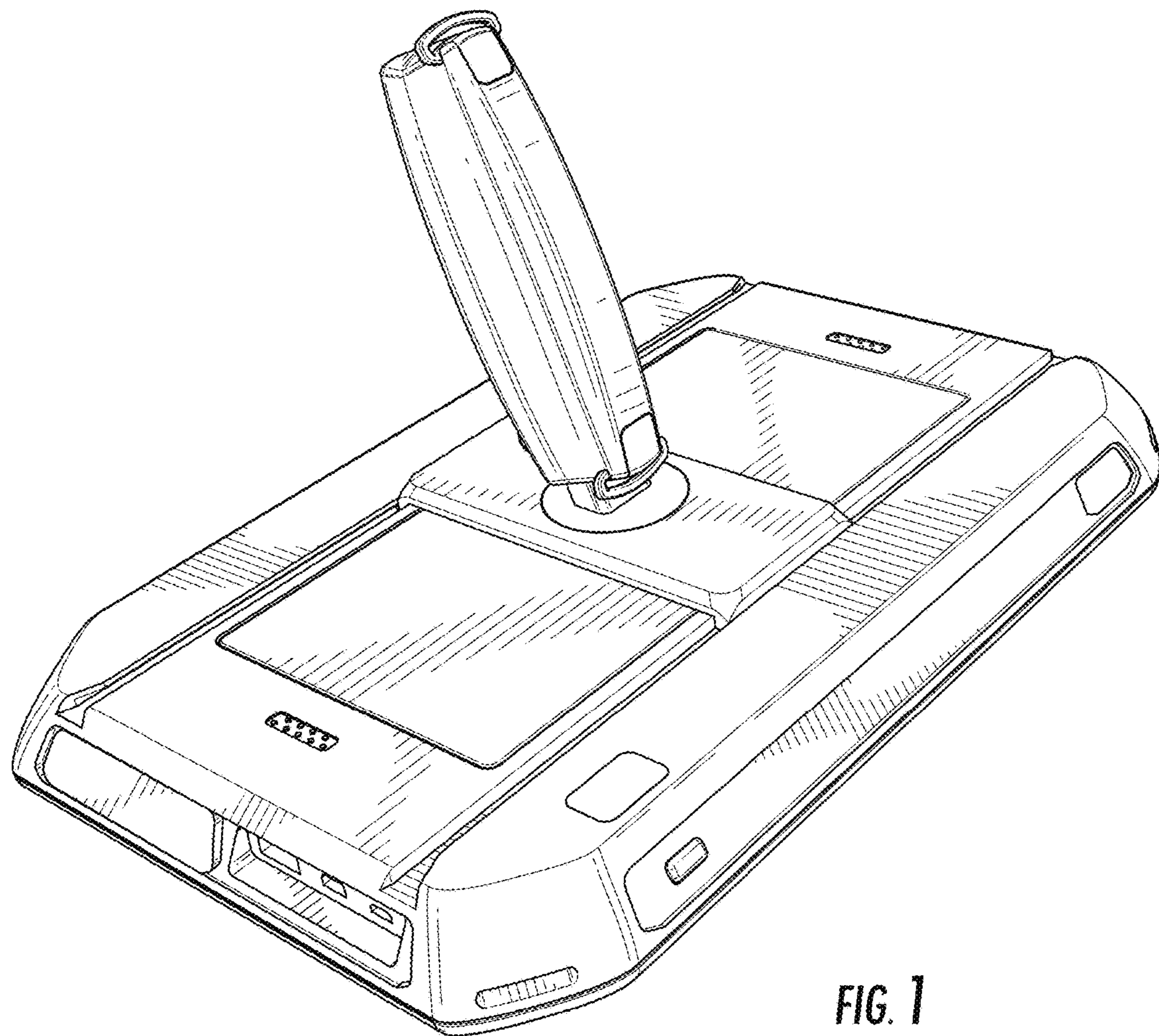


FIG. 1

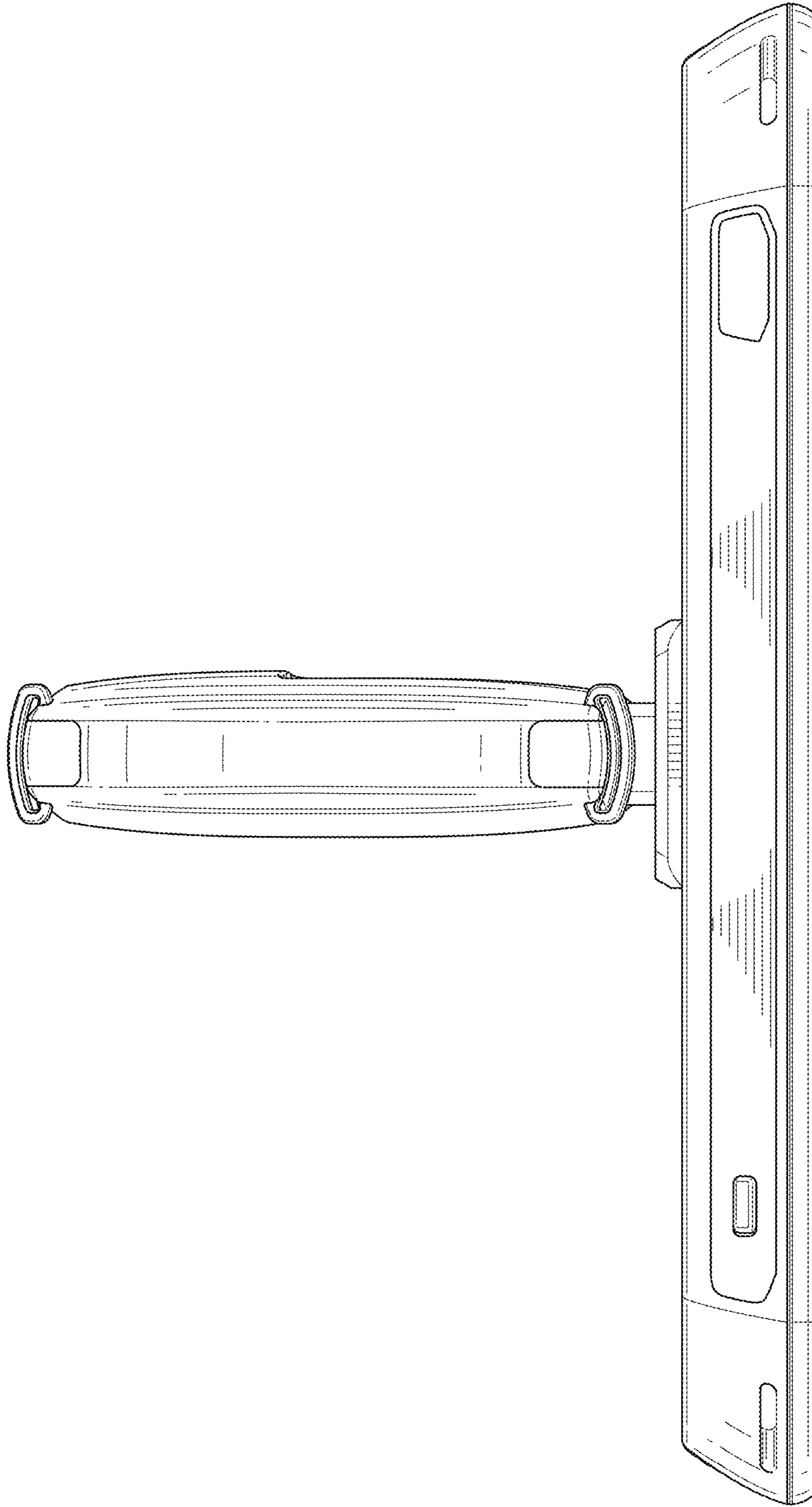


FIG. 2

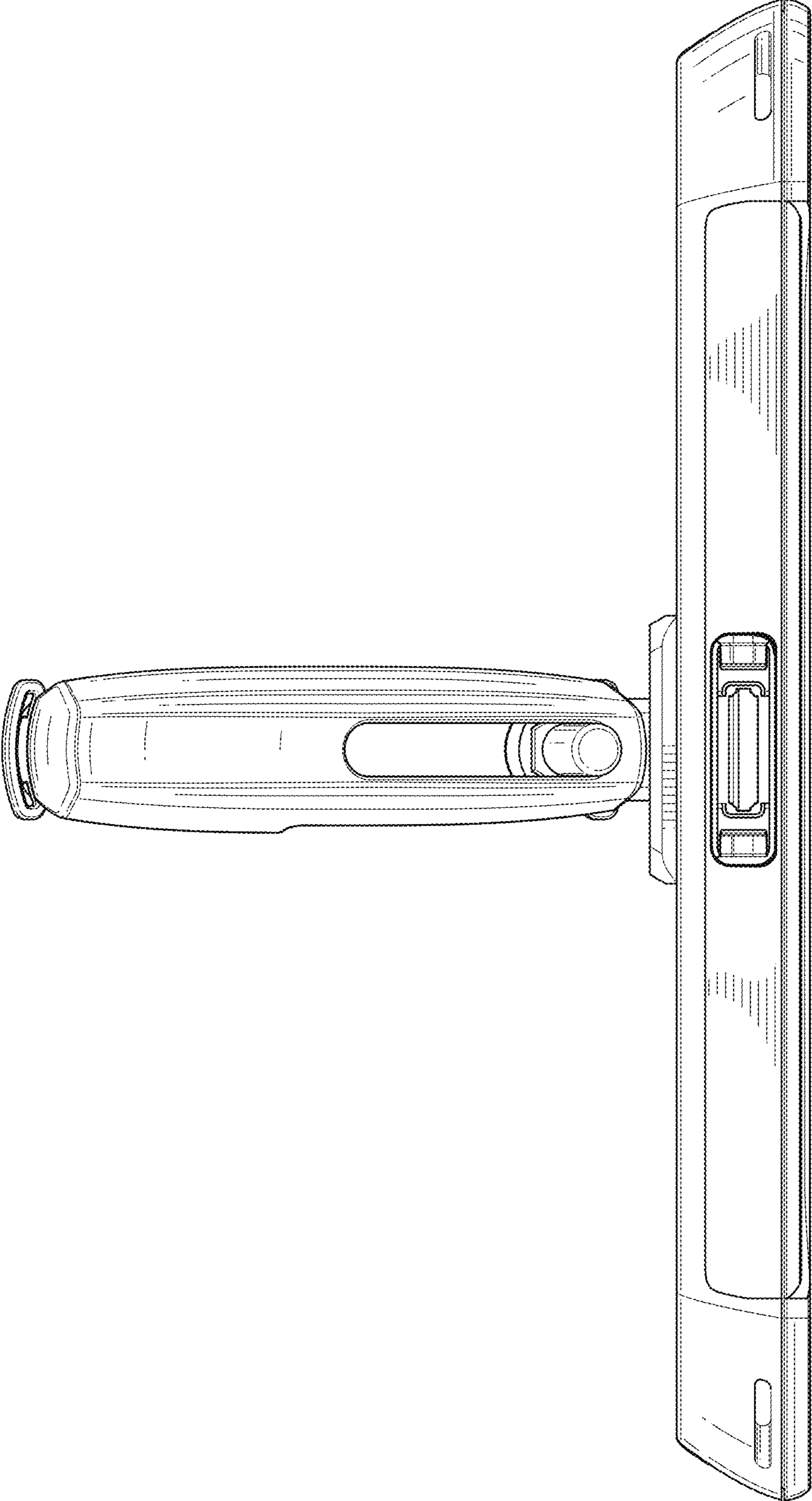


FIG. 3

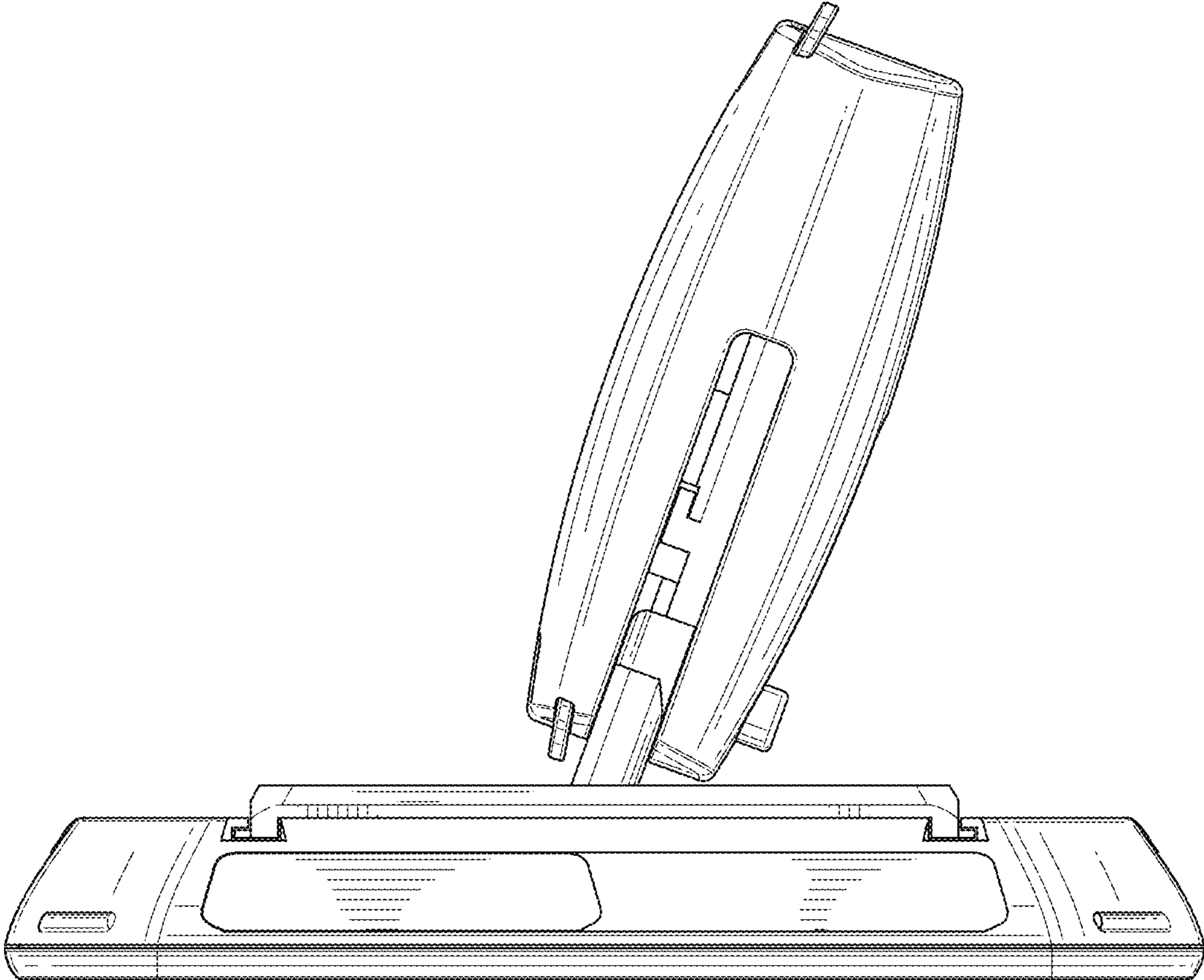


FIG. 4

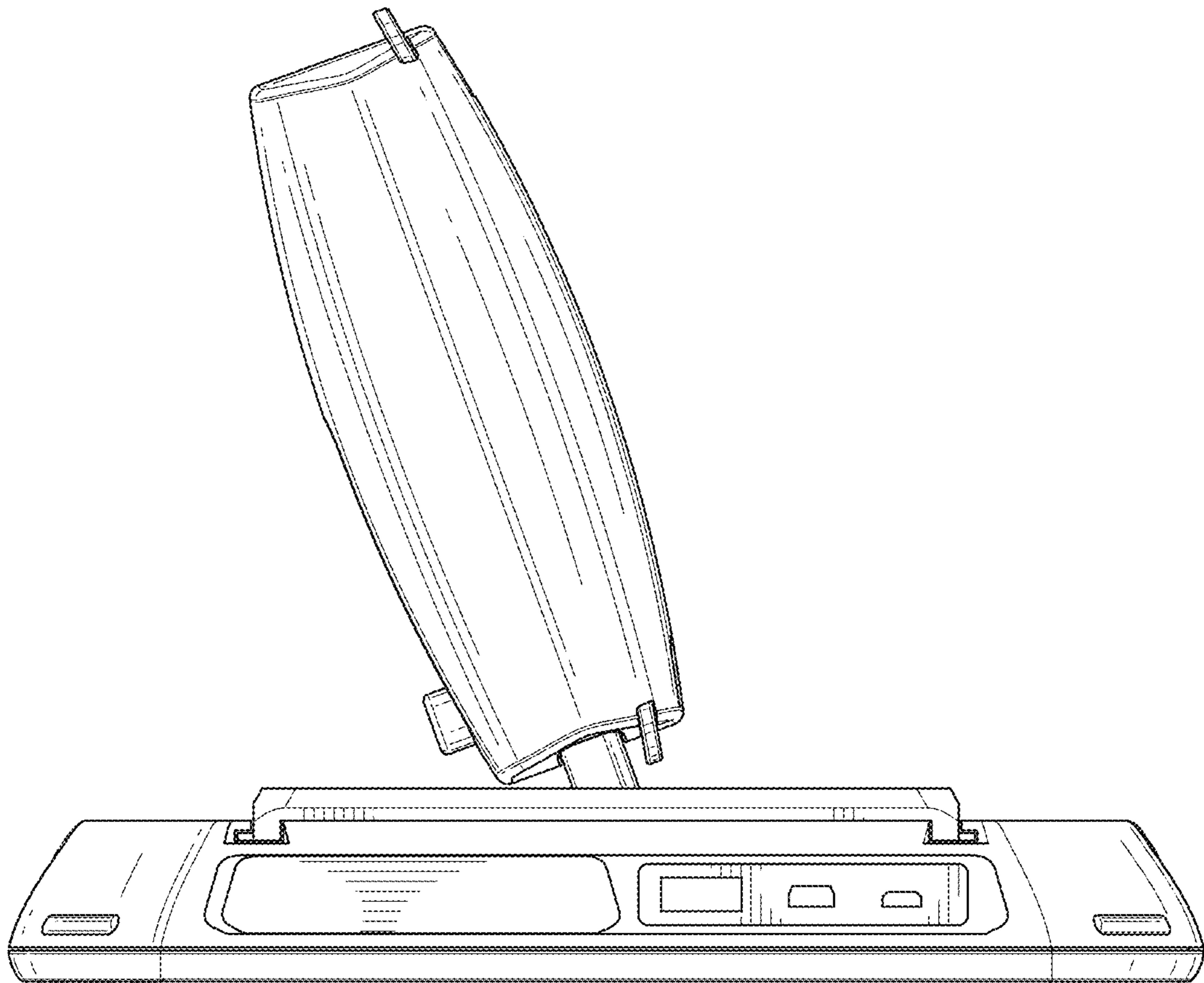


FIG. 5

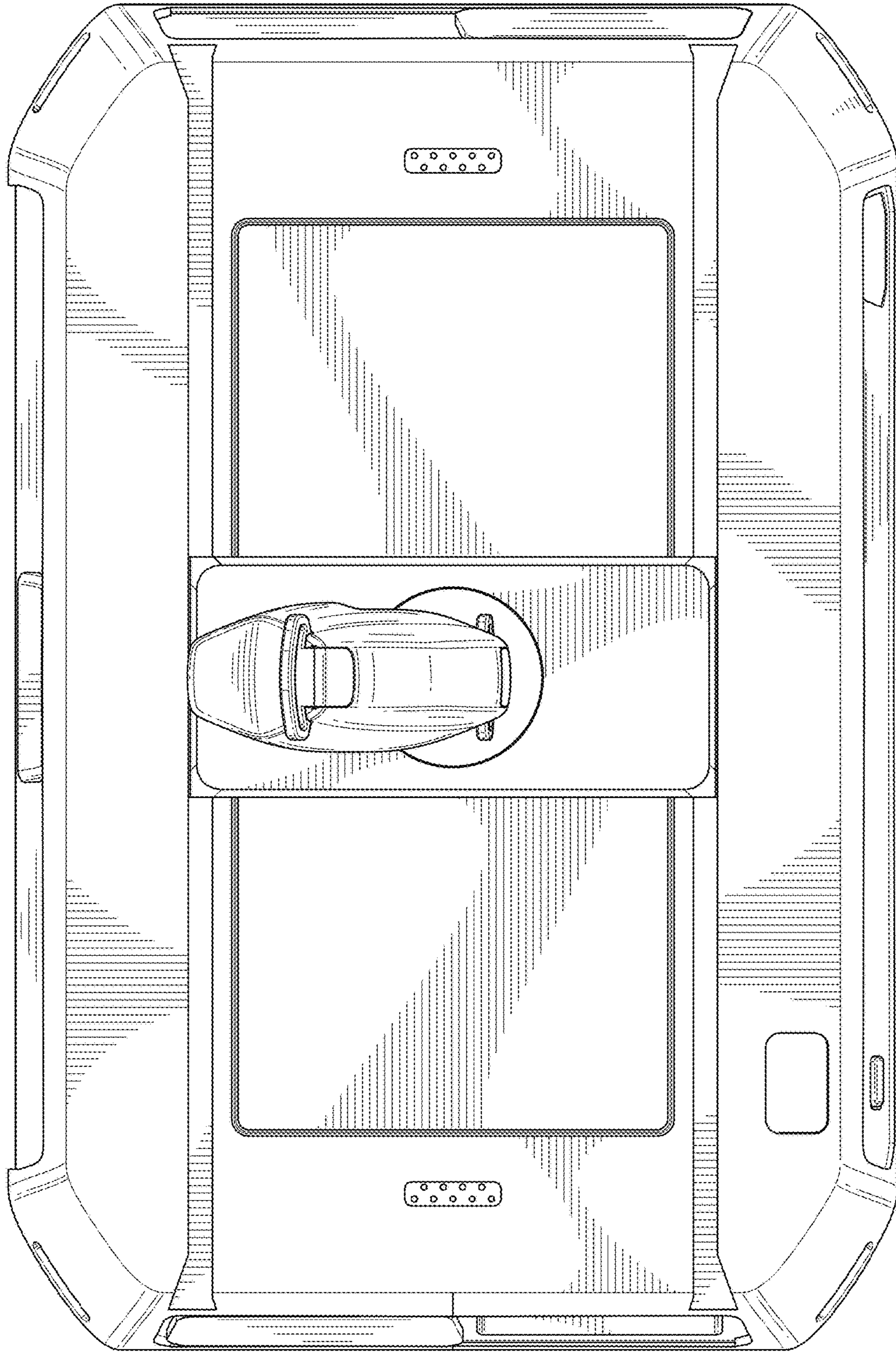


FIG. 6



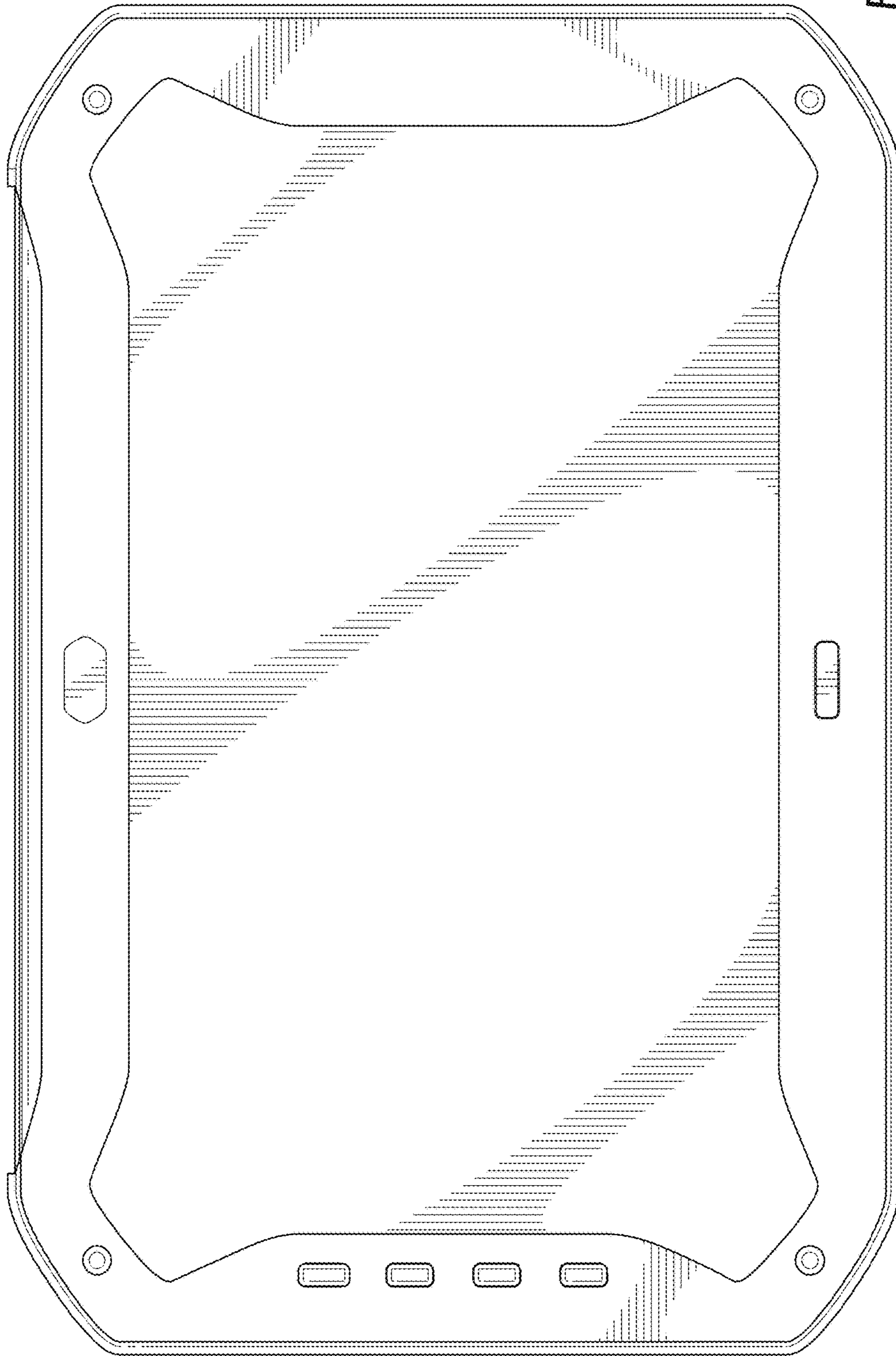


FIG. 7