



US00D777162S

(12) **United States Design Patent** (10) **Patent No.:** **US D777,162 S**
Erickson-Davis et al. (45) **Date of Patent:** **** Jan. 24, 2017**

- (54) **ELECTRONIC DEVICE COVER WITH DETACHABLE STRAP**
- (71) Applicant: **MY KIDENZA LLC**, Scottsdale, AZ (US)
- (72) Inventors: **Christe Erickson-Davis**, Scottsdale, AZ (US); **Scott Kendrick Warner**, Lehi, UT (US); **Joseph D. Bowers**, Jan Juc (AU)
- (73) Assignee: **My Kidenza LLC**, Scottsdale, AZ (US)
- (**) Term: **15 Years**
- (21) Appl. No.: **29/532,045**
- (22) Filed: **Jul. 1, 2015**

Related U.S. Application Data

- (63) Continuation-in-part of application No. 14/671,770, filed on Mar. 27, 2015, and a continuation-in-part of (Continued)
- (51) **LOC (10) Cl.** **14-03**
- (52) **U.S. Cl.**
USPC **D14/250**
- (58) **Field of Classification Search**
USPC D14/250, 341-347, 130, 138 C, 138 G, D14/138 R, 138 AA, 147, 203.1, 203.3, D14/203.7, 204.4, 218, 248
CPC A45C 1/06; A45C 11/00; A45C 2011/002; A45F 2200/0525; A45F 2200/0516; A45F 5/02; G06F 1/165; G06F 1/1613; G06F 1/1624; G06F 1/1626; G06F 3/0485; G06F 3/0488; G06F 1/1632; G06F 1/1607; G06F
- (Continued)

(56) **References Cited**
U.S. PATENT DOCUMENTS

- 3,924,304 A 12/1975 Grandmont
5,311,972 A 5/1994 Plath
(Continued)

OTHER PUBLICATIONS

Notice of Allowance for U.S. Appl. No. 29/478,131 mailed Jul. 8, 2015.
(Continued)

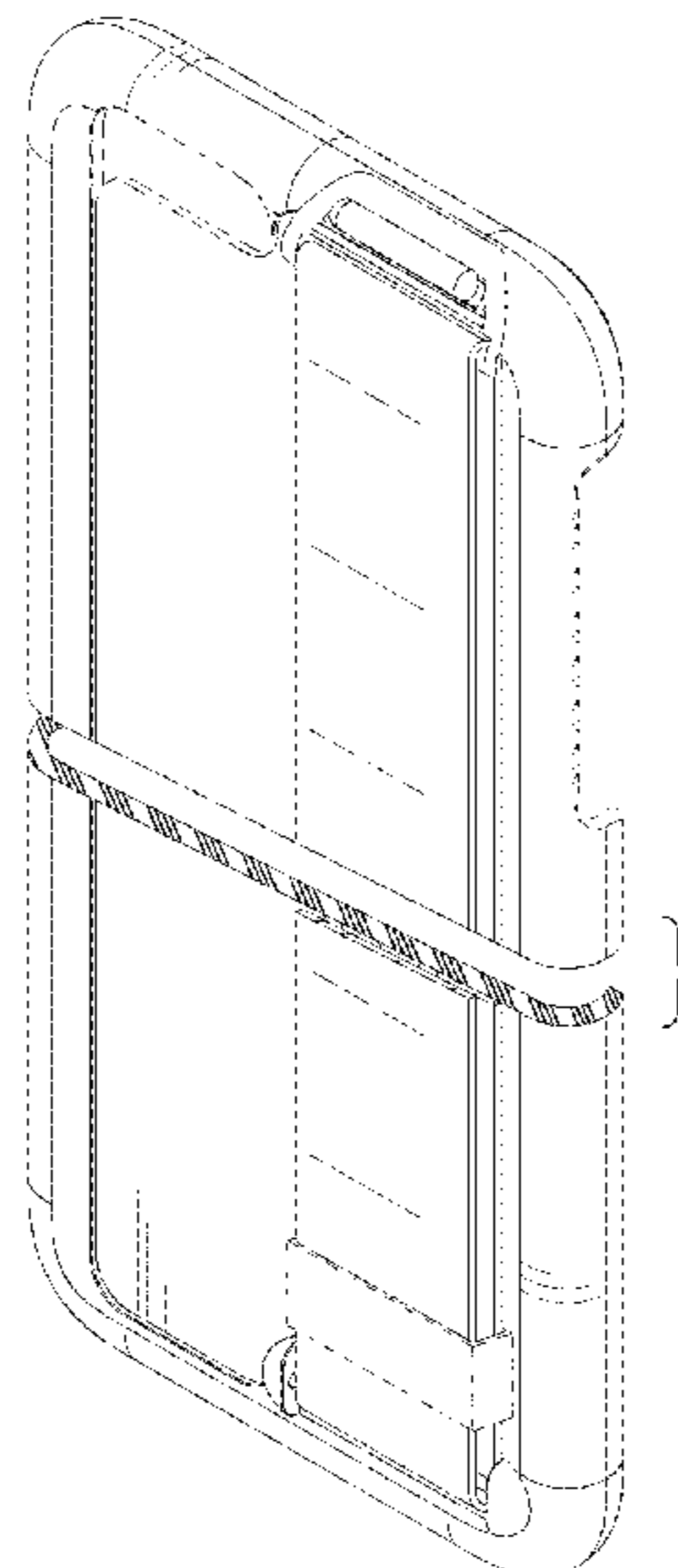
Primary Examiner — Freda S Nunn
(74) *Attorney, Agent, or Firm* — Workman Nydegger

(57) **CLAIM**
The ornamental design for an electronic device cover with detachable strap, as shown and described.

DESCRIPTION

FIG. 1 is a top, rear perspective view of an electronic device cover with detachable strap showing the detachable strap in a latched configuration;
 FIG. 2 is a top, front perspective view thereof;
 FIG. 3 is a rear elevation view thereof;
 FIG. 4 is a front elevation view thereof;
 FIG. 5 is a left side view thereof;
 FIG. 6 is a right side view thereof;
 FIG. 7 is a top plan view thereof;
 FIG. 8 is a bottom plan view thereof;
 FIG. 9 is a top, front perspective view thereof in a cell phone environment; and,
 FIG. 10 is a top, rear perspective view thereof showing the detachable strap in an unlatched configuration.
 The broken lines depicted in FIGS. 1-10 illustrate portions of the electronic device cover with detachable strap that form no part of the claimed design. Furthermore, the electronic device cover is shown with a symbolic break in its height. The appearance of any portion of the article between the break lines forms no part of the claimed design.

1 Claim, 8 Drawing Sheets



Related U.S. Application Data

application No. 29/478,131, filed on Dec. 31, 2013,
now Pat. No. Des. 738,872.

(58) **Field of Classification Search**

CPC 1/1628;G06F 1/1656; H04B 1/3888;
H04B 1/00; H04B 1/3883; H04M 1/0202;
H04M 1/0283; H04M 1/185; H04M 1/00;
H04M 1/0214; H04M 1/035; H04M 1/04;
H01M 10/46; H01M 2/1022; H05K
5/0217; H05K 5/03; H05K 7/00; H05K
5/0086; B29C 45/1676; H02J 7/00; H04Q
7/32; B65D 85/00; B65D 19/00; G03B
17/02

See application file for complete search history.

(56) **References Cited**

U.S. PATENT DOCUMENTS

6,646,864	B2	11/2003	Richardson
D638,254	S	5/2011	Barber
D660,597	S	5/2012	Leblanc
D669,458	S	10/2012	Wilson
D671,109	S	11/2012	Rothbaum
D673,162	S	12/2012	Young
D675,197	S	1/2013	Losiewicz
8,374,657	B2	2/2013	Interdonato
D677,252	S	3/2013	Baum

8,428,664	B1	4/2013	Wyers	
D686,199	S	* 7/2013	Fahrendorff D14/250
8,579,112	B2	11/2013	Bethea	
8,616,423	B2	12/2013	Wizikowski	
D702,672	S	4/2014	Mather	
D703,647	S	4/2014	Kim	
D705,767	S	5/2014	Yoon	
8,746,448	B1	6/2014	Bellace	
D709,439	S	* 7/2014	Ferber D13/103
D716,040	S	10/2014	Soriano	
D717,780	S	11/2014	Tussy	
D738,872	S	9/2015	Erickson-Davis	
2012/0063066	A1	3/2012	Floit	
2012/0187706	A1	7/2012	Kannaka	
2012/0261930	A1	10/2012	Bethea	
2013/0069499	A1*	3/2013	Modrell G06F 1/1656 312/223.1
2014/0049060	A1	2/2014	Rayner	
2014/0054910	A1	2/2014	Kim	
2014/0084035	A1	3/2014	Georges	
2014/0152034	A1	6/2014	Tussy	

OTHER PUBLICATIONS

Non-Final Office Action for U.S. Appl. No. 14/671,770 dated Feb. 10, 2016.

International Search Report for application No. PCT/US2016/024320 mailed on Jul. 5, 2016.

* cited by examiner

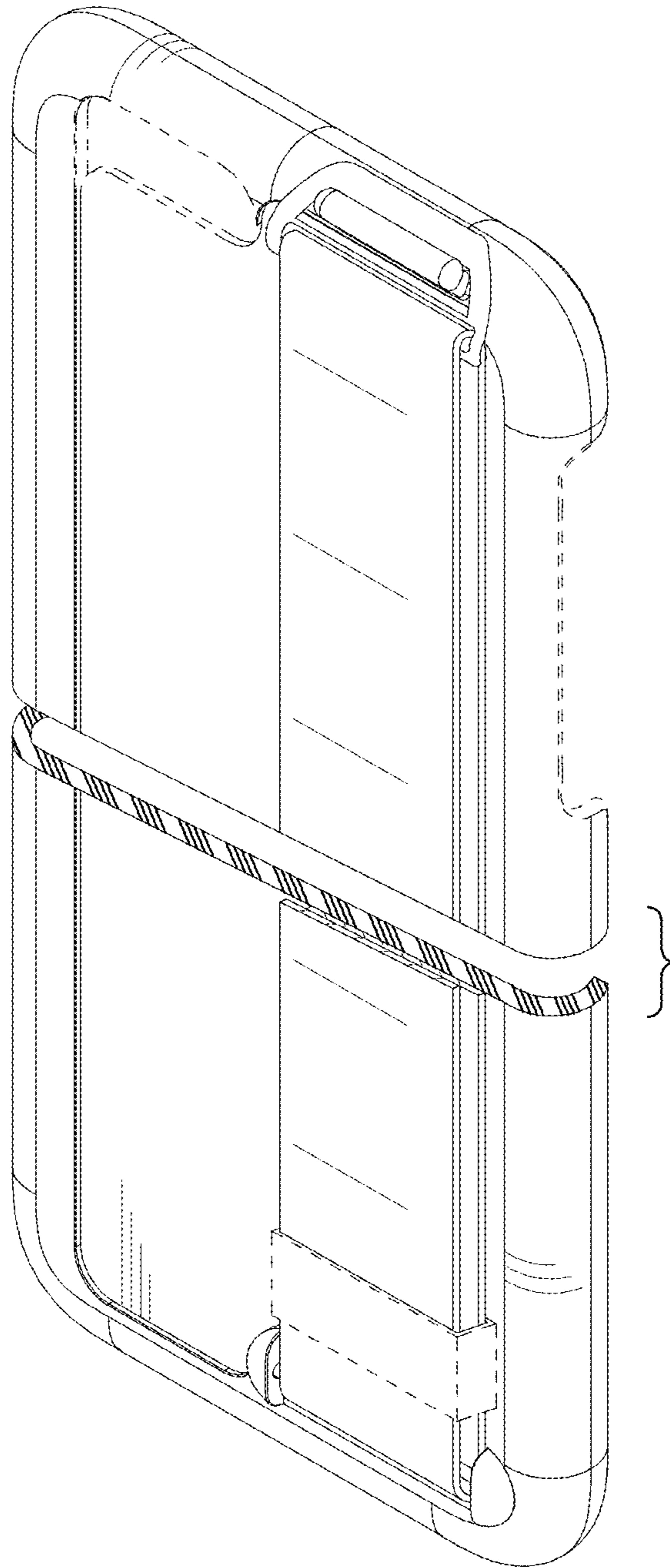


FIG. 1

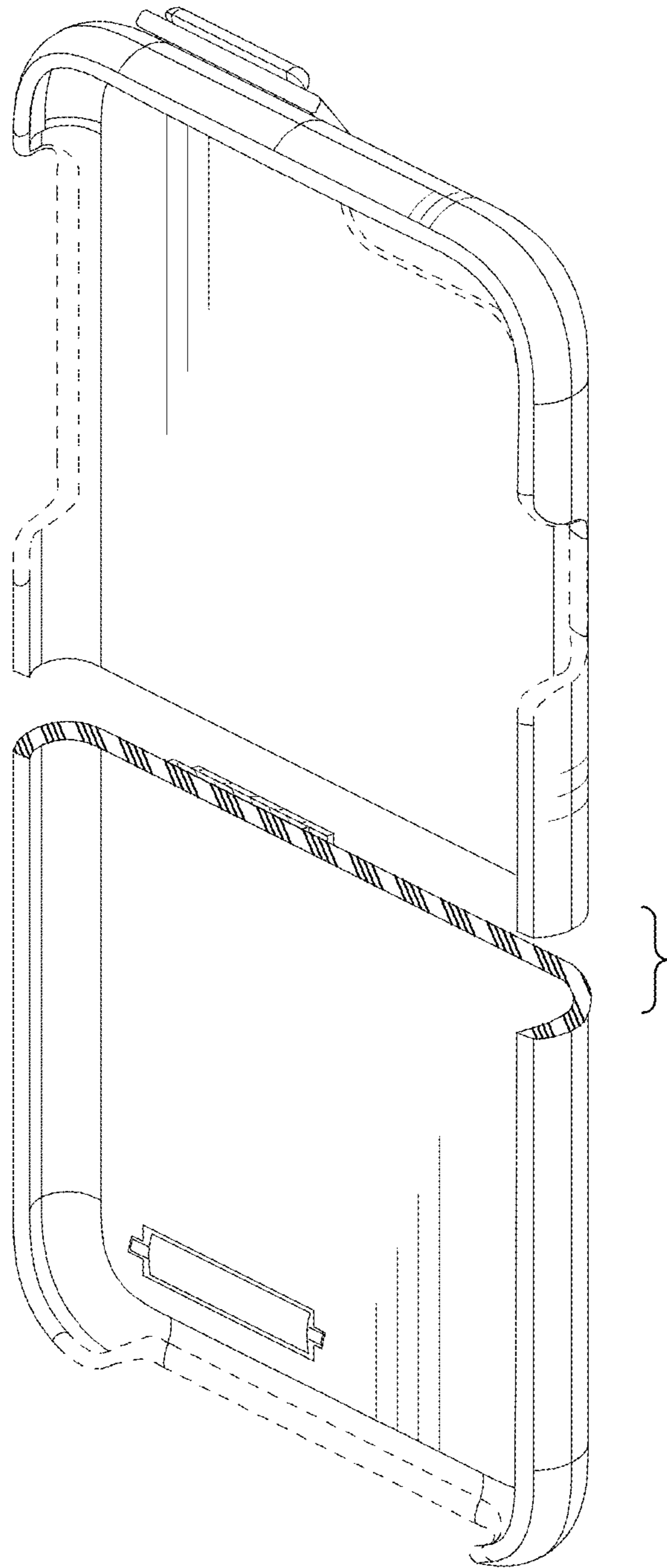


FIG. 2

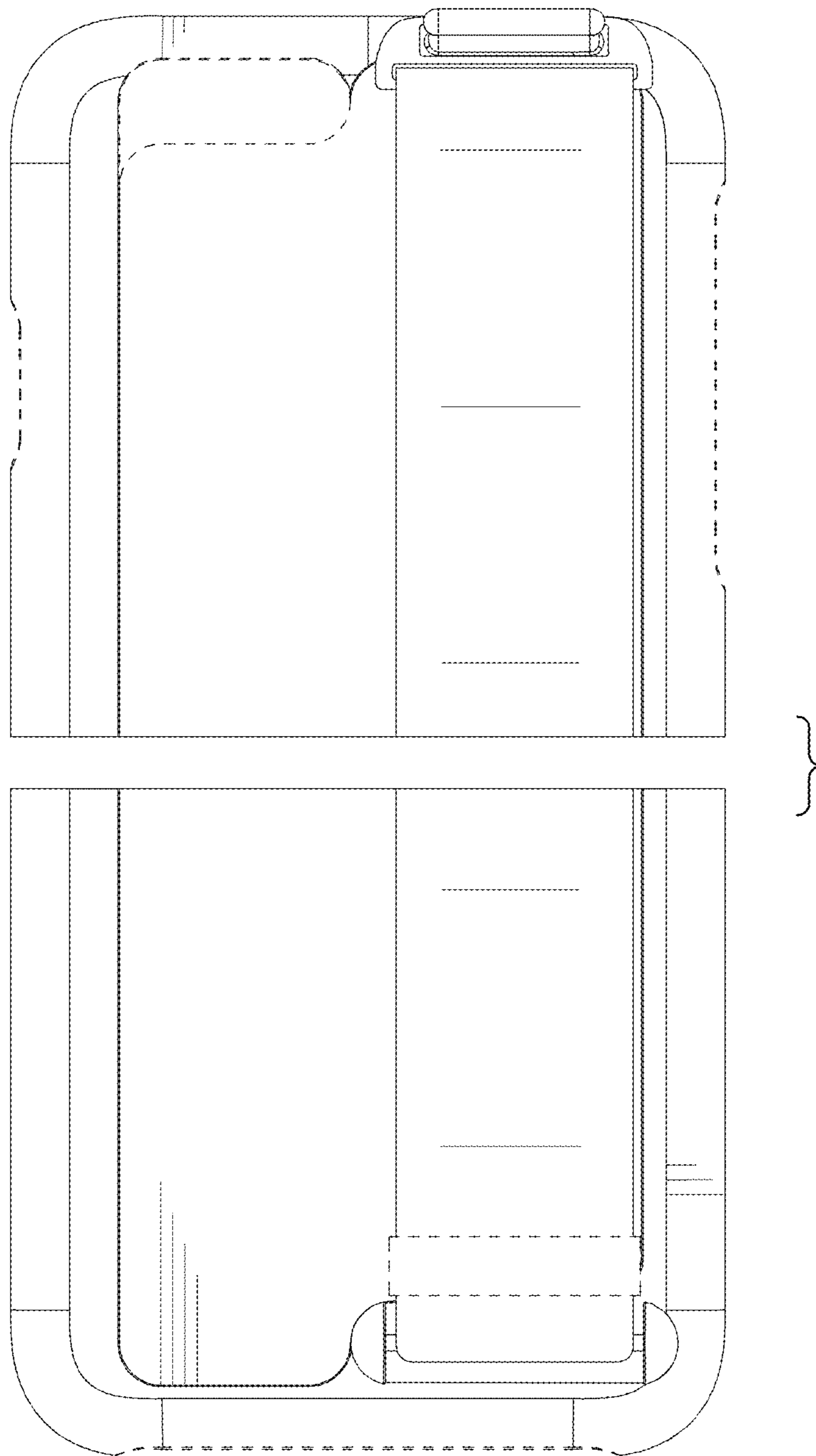


FIG. 3

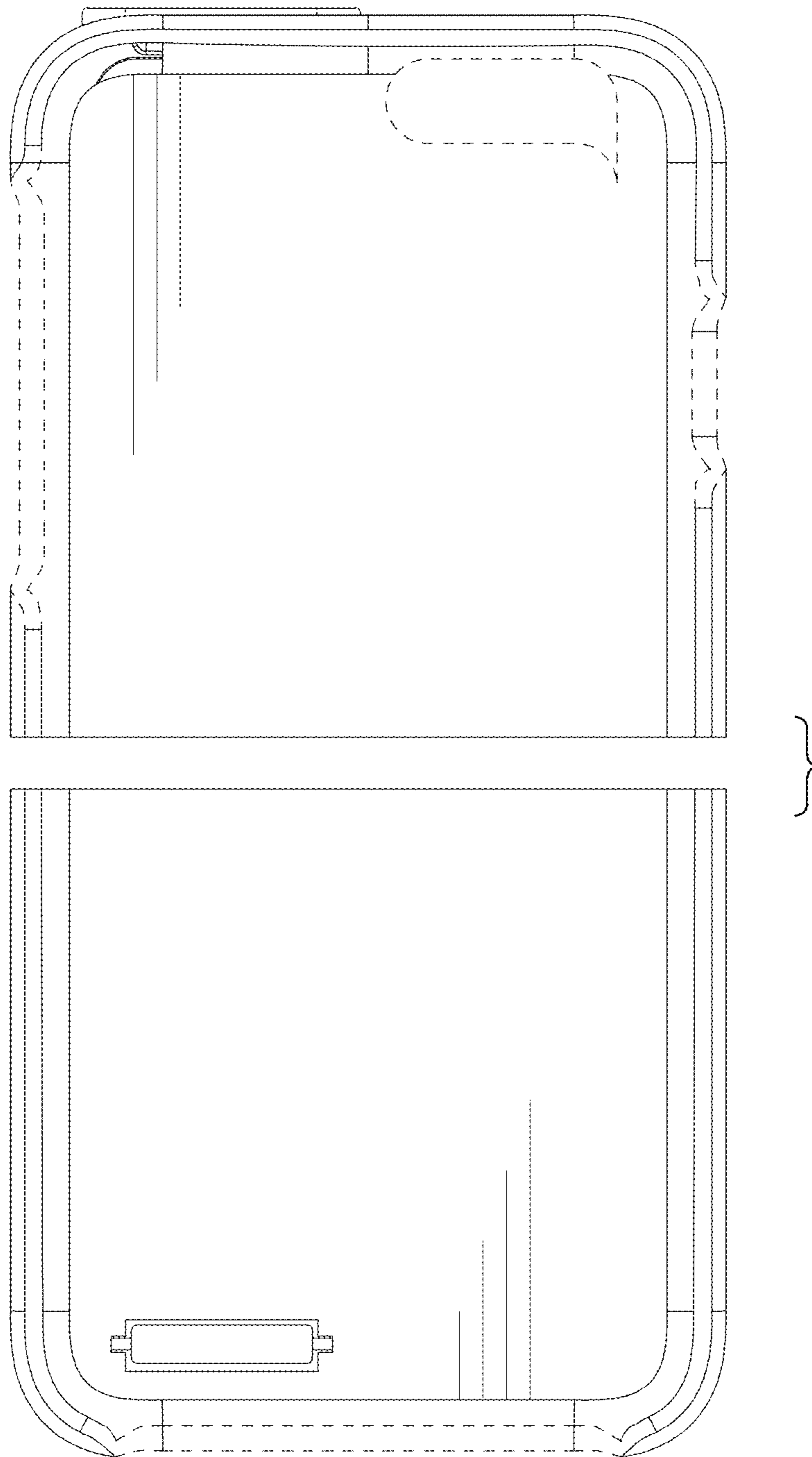


FIG. 4

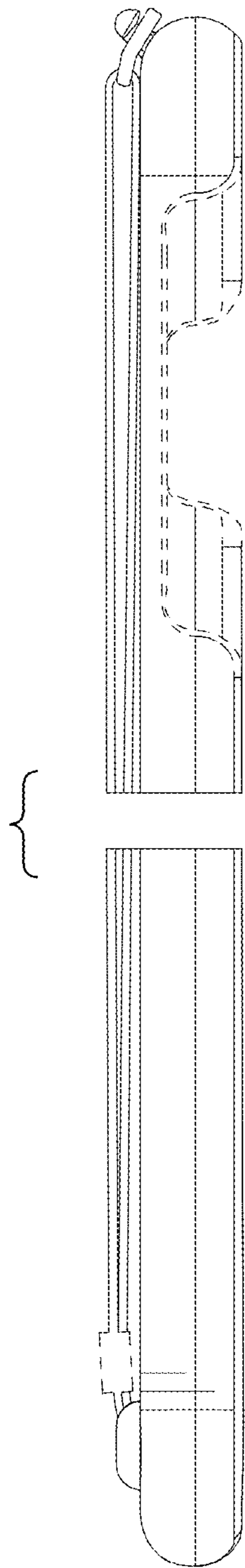


FIG. 5

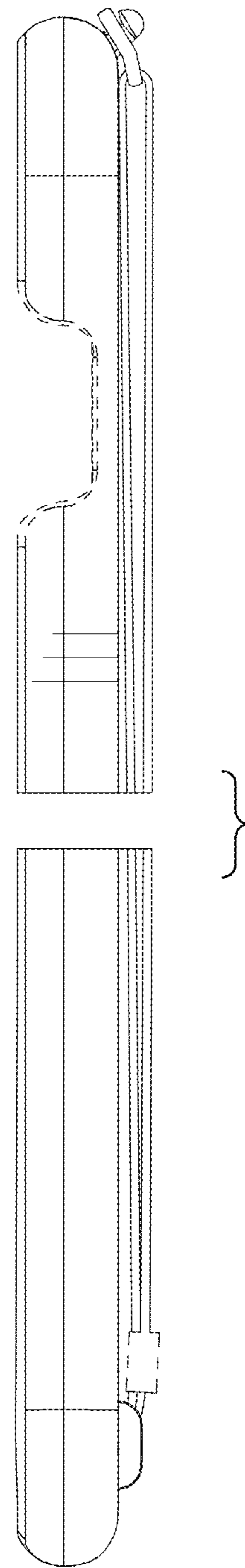


FIG. 6

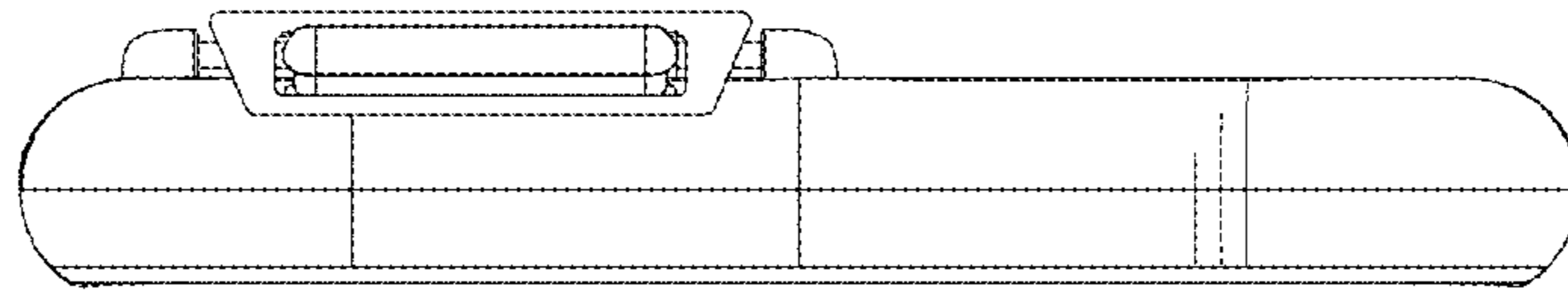


FIG. 7

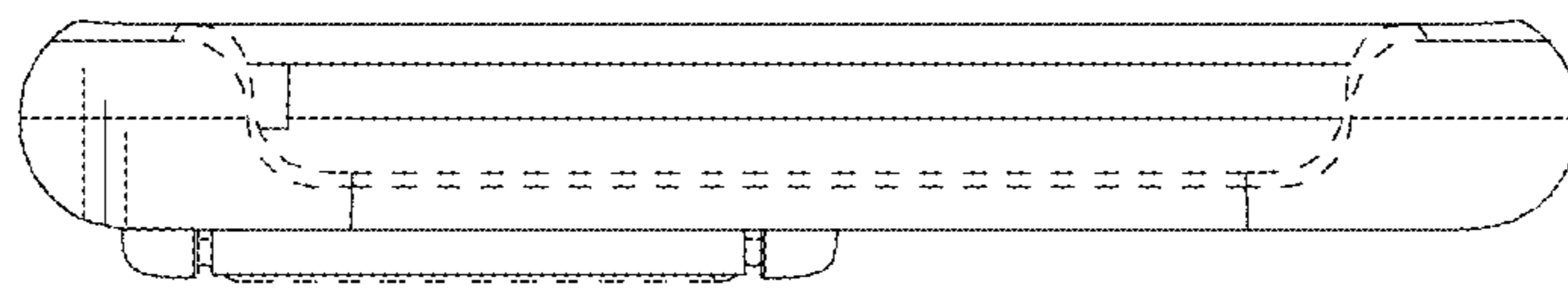


FIG. 8

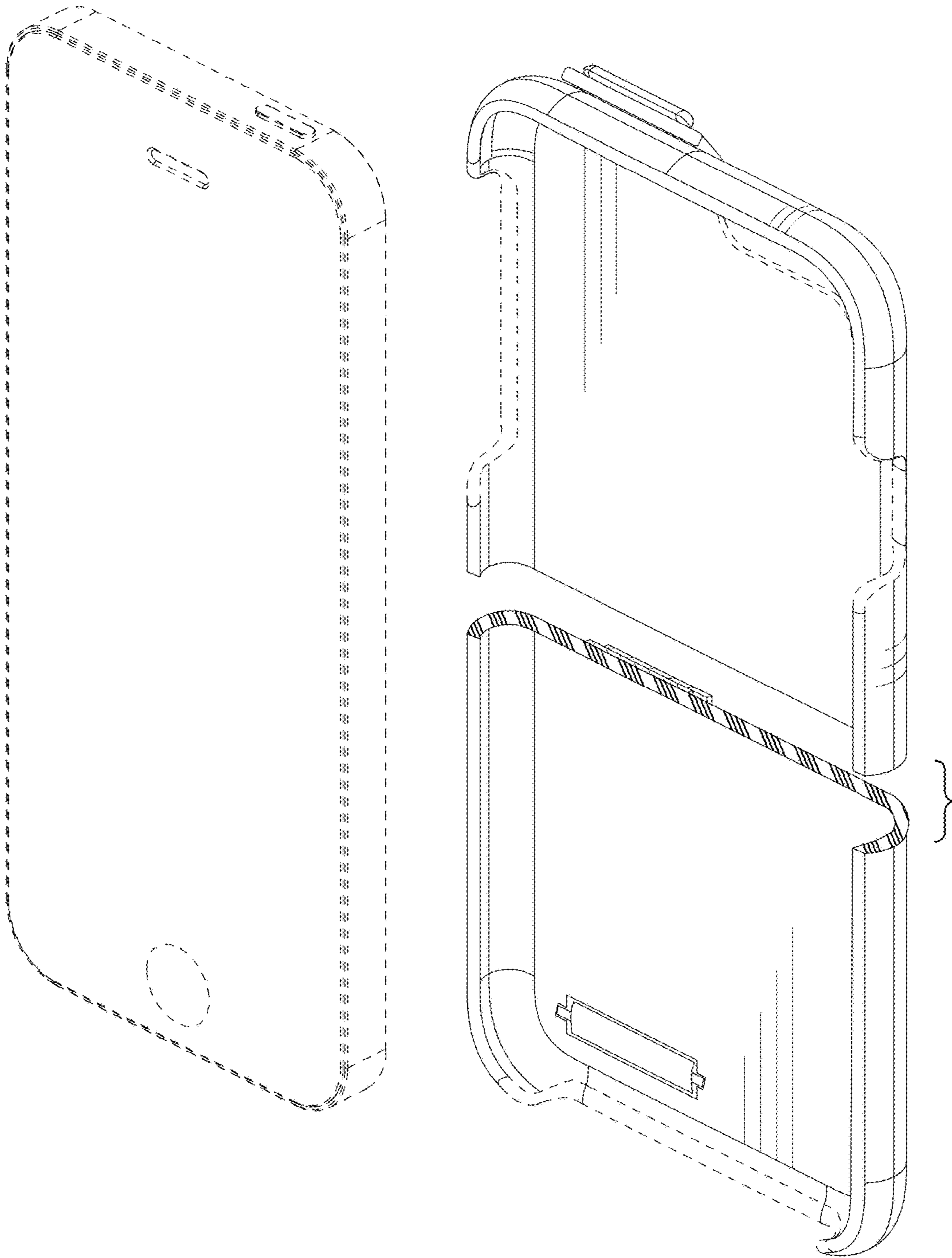


FIG. 9

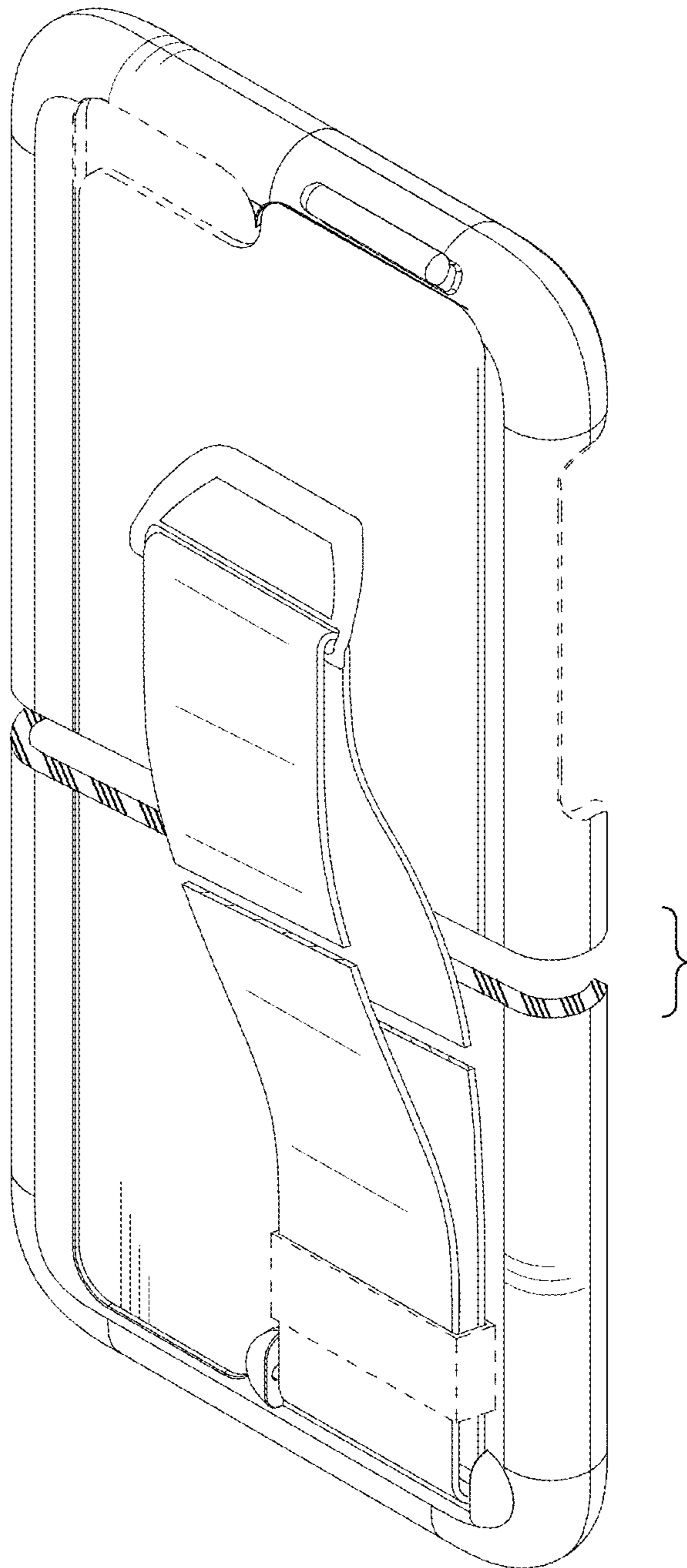


FIG. 10