



US00D777156S

(12) **United States Design Patent**
Kim

(10) **Patent No.:** **US D777,156 S**
(45) **Date of Patent:** **** Jan. 24, 2017**

(54) **CASE FOR ELECTRONIC DEVICES**

(71) Applicant: **Dae-Young Kim**, Seoul (KR)

(72) Inventor: **Dae-Young Kim**, Seoul (KR)

(73) Assignee: **SPIGEN KOREA CO., LTD.**,
Geumcheon-Gu, Seoul (KR)

(**) Term: **14 Years**

(21) Appl. No.: **29/518,090**

(22) Filed: **Feb. 19, 2015**

(51) **LOC (10) Cl.** **14-03**

(52) **U.S. Cl.**
USPC **D14/250**

(58) **Field of Classification Search**

USPC D14/143, 189, 203.2–203.7, 217, 238.1,
D14/240, 248, 250, 251–253, 440, 447,
D14/496; D13/103, 107–108, 119;
D3/201, 218, 247, 269, 273, 301, 303
CPC A45C 1/06; A45C 11/00; A45C 13/02;
A45C 2011/002; A45F 2005/026; A45F
2200/0525; A45F 2200/0516; H04B
1/3888; H04M 1/0283; H04M 1/0202
See application file for complete search history.

(56) **References Cited**

U.S. PATENT DOCUMENTS

D619,361 S * 7/2010 Andre D3/269
D646,265 S * 10/2011 Fathollahi D14/250
D676,035 S * 2/2013 Chang D14/250
D681,615 S * 5/2013 Fathollahi D14/250
8,517,172 B1 * 8/2013 Chang G06F 1/1626
206/320

(Continued)

OTHER PUBLICATIONS

<http://www.spigen.com/collections/galaxy-s6/products/galaxy-s6-case-tough-armor?variant=1160710157>—Earliest review date of May 12, 2015.*

(Continued)

Primary Examiner — Manpreet Matharu

Assistant Examiner — Mojtaba Tehrani

(74) *Attorney, Agent, or Firm* — East West Law Group;
Heedong Chae

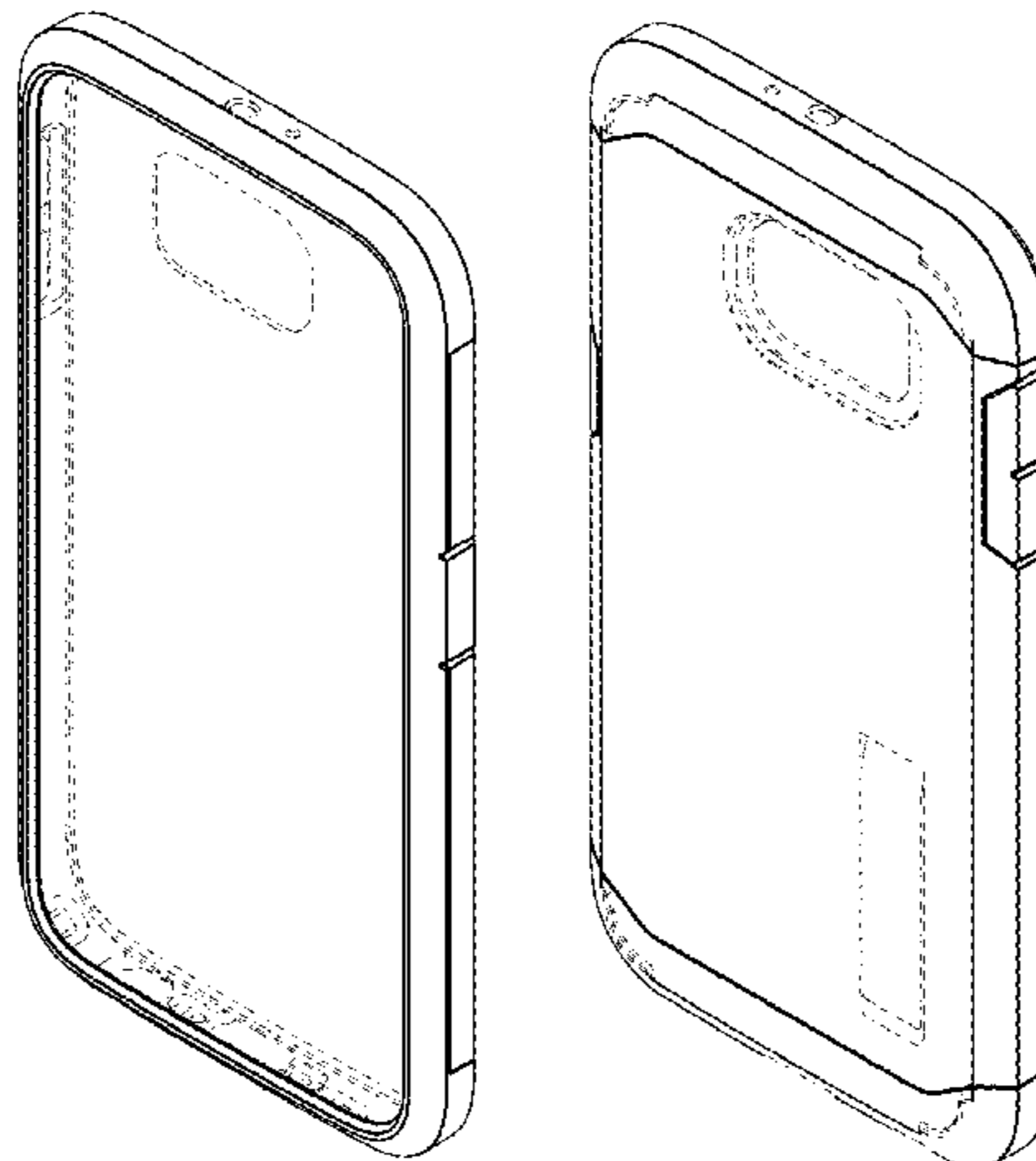
(57) **CLAIM**

The ornamental design for a case for electronic devices, as shown and described.

DESCRIPTION

FIG. 1 is a front perspective view of a case for electronic devices showing my new design;
FIG. 2 is a rear perspective view thereof;
FIG. 3 is a front elevational view thereof;
FIG. 4 is a rear elevational view thereof;
FIG. 5 is a left side elevational view thereof;
FIG. 6 is a right side elevational view thereof;
FIG. 7 is a top plan view thereof;
FIG. 8 is a bottom plan view thereof;
FIG. 9 is a rear perspective view thereof with a support leg extended;
FIG. 10 is an exploded rear perspective view thereof;
FIG. 11 is a front perspective view of the inner shell of the case;
FIG. 12 is a rear perspective view of the inner shell of the case;
FIG. 13 is a front perspective view of the support leg of the case;
FIG. 14 is a rear perspective view of the support leg of the case;
FIG. 15 is a front perspective view of the outer frame of the case; and,
FIG. 16 is a rear perspective view of the outer frame of the case.
The broken line in the figure drawings represents unclaimed environment only and forms no part of the claimed design.

1 Claim, 16 Drawing Sheets



(56)

References Cited

U.S. PATENT DOCUMENTS

8,706,176 B1 * 4/2014 Jia H04M 1/04
206/305
D706,254 S * 6/2014 Chang D14/217
D709,871 S * 7/2014 Lee D14/250
D749,068 S * 2/2016 Zaborski D14/250
D749,535 S * 2/2016 Joung D14/138 G
2011/0050606 A1 * 3/2011 Zhang H04M 1/0202
345/173

OTHER PUBLICATIONS

<http://www.spigen.com/collections/galaxy-s7/products/galaxy-s7-case-tough-armor-1?variant=12163553089>—Product review date of Mar. 8, 2016.*

http://www.amazon.com/Spigen%C2%AE-Gunmetal-EXTREME-Protection-Protective/dp/B01A7IDNWQ/ref=pd_sim_107_5?ie=UTF8&dpID=41hi9zQzsuL&dpSrc=sims&preST=_AC_UL160_SR160%2C160_&refRID=0YMPY3N34F4SHH1NNT—Earliest review date of Feb 17, 2016.*

* cited by examiner

FIG. 1

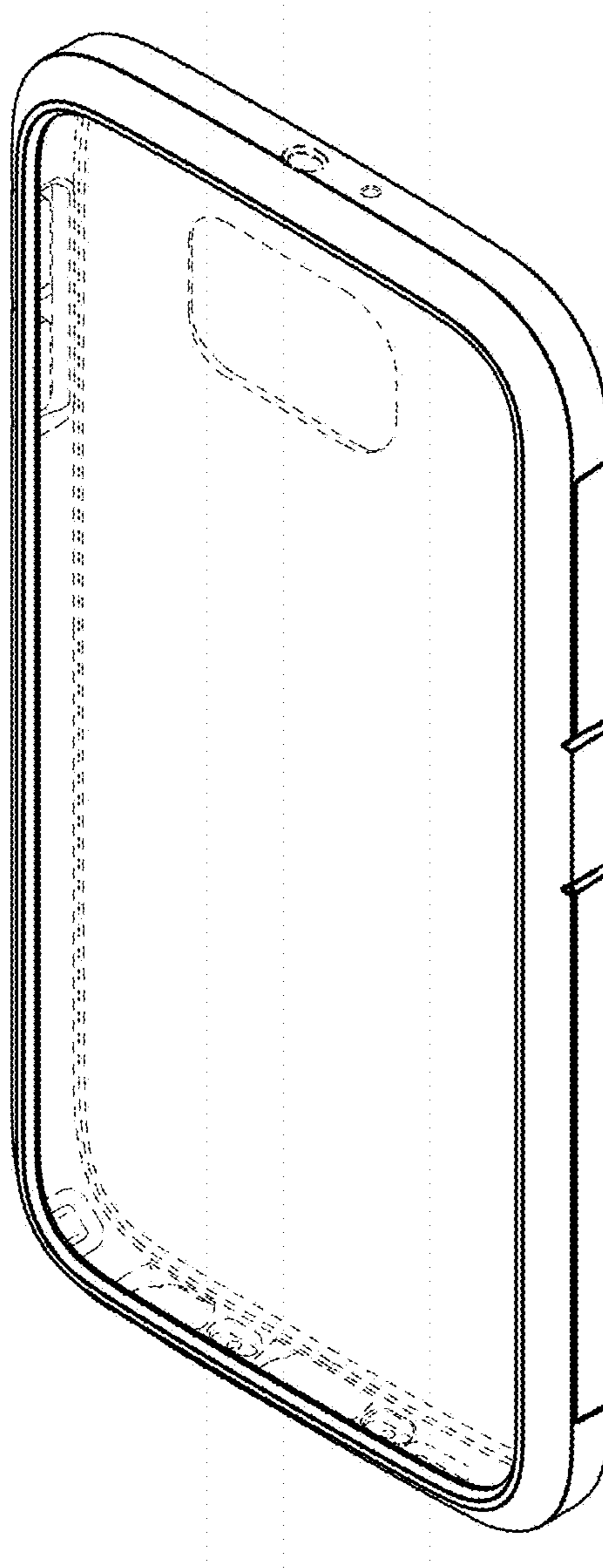


FIG. 2

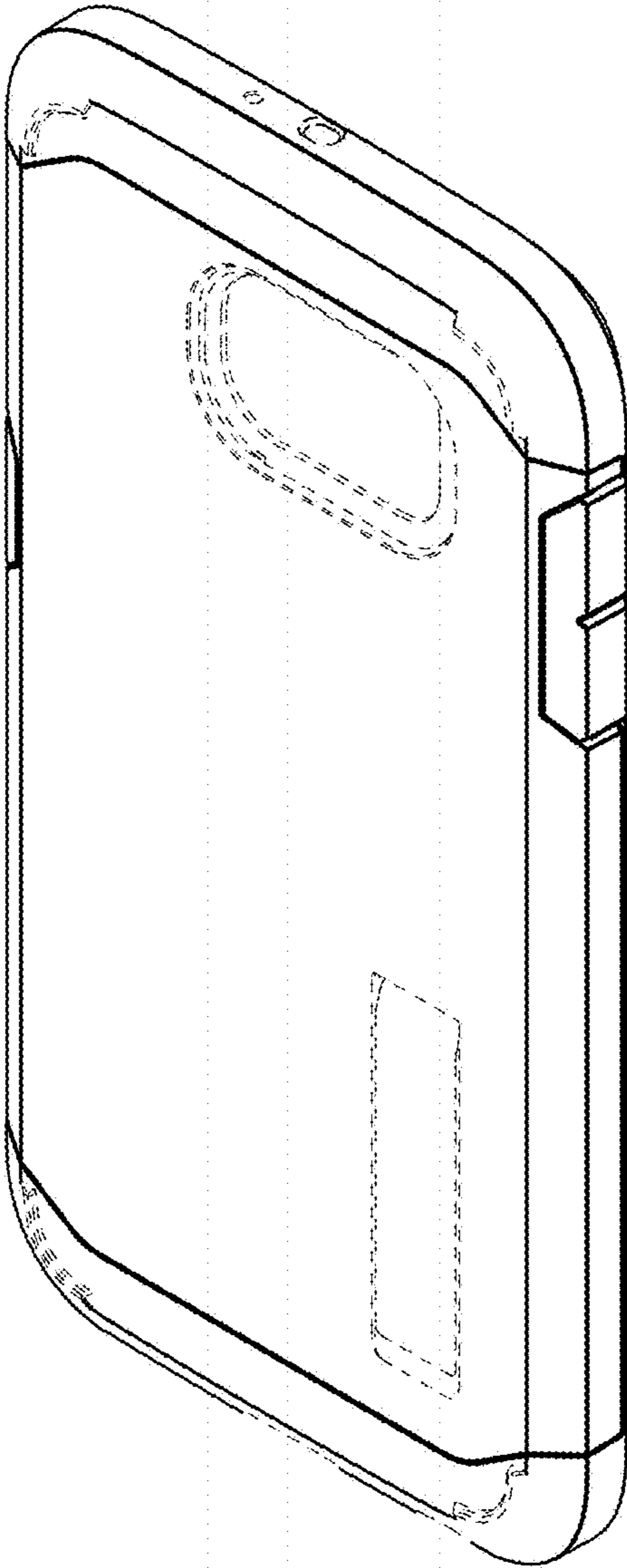


FIG. 3

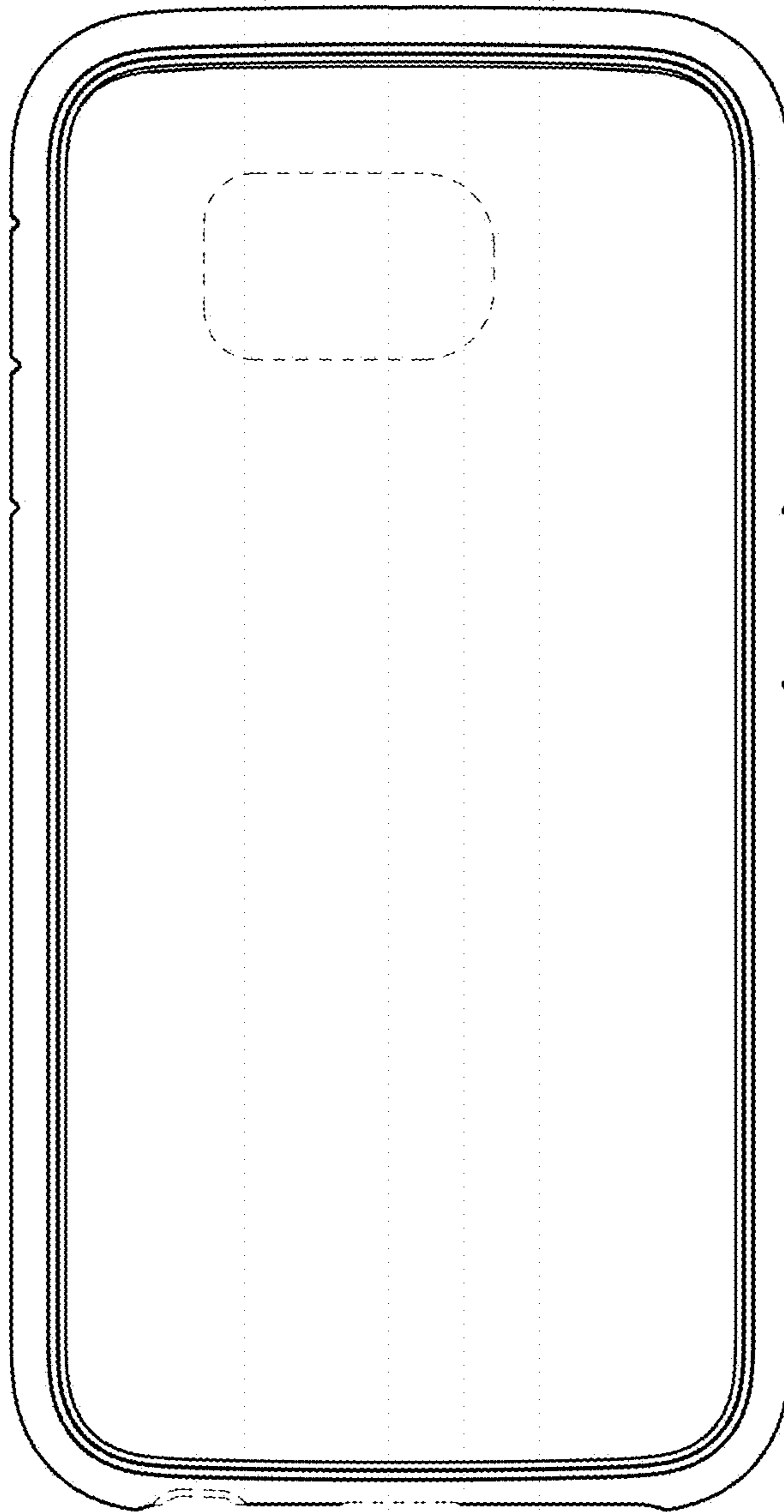


FIG. 4

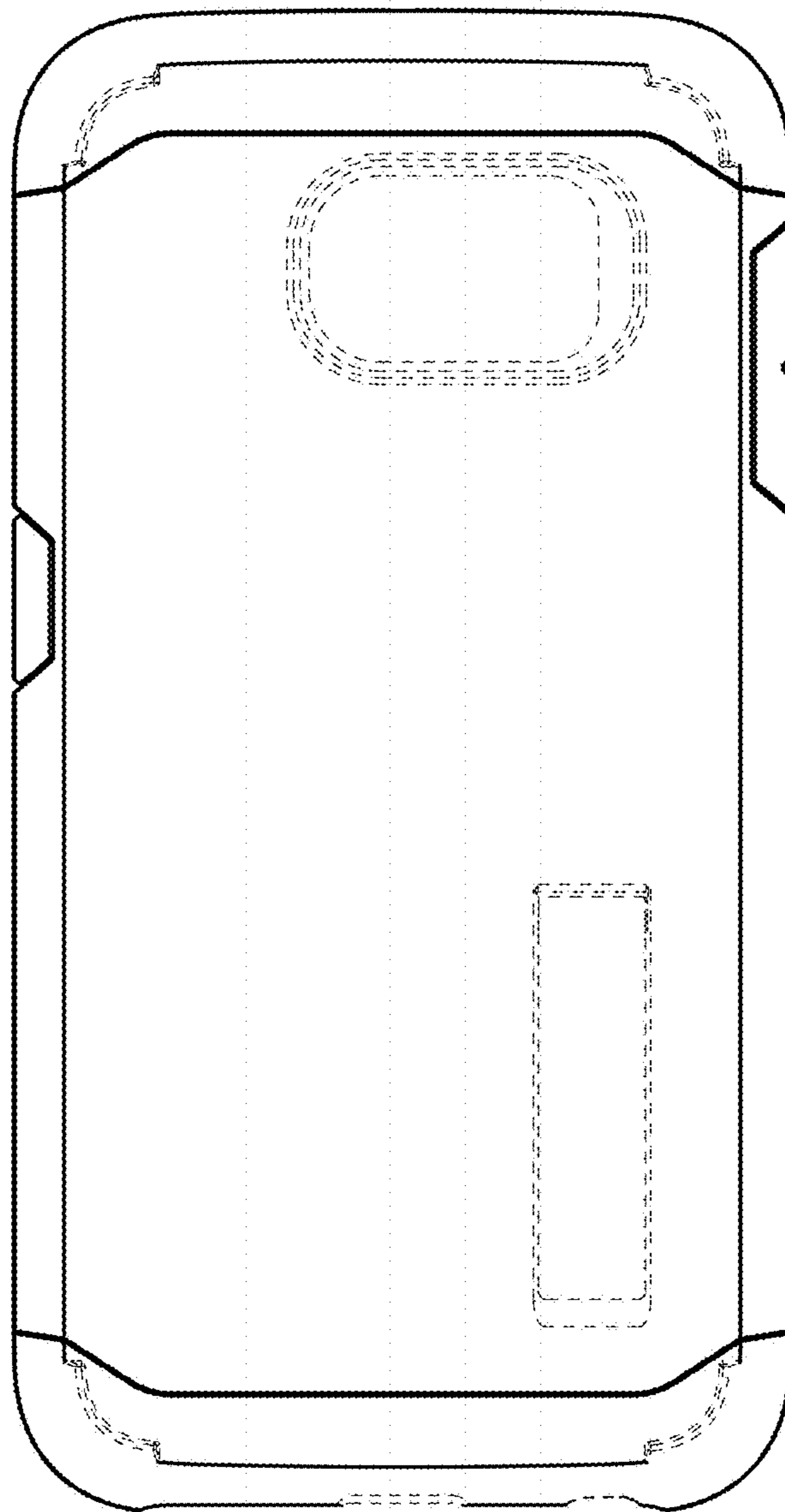


FIG. 5

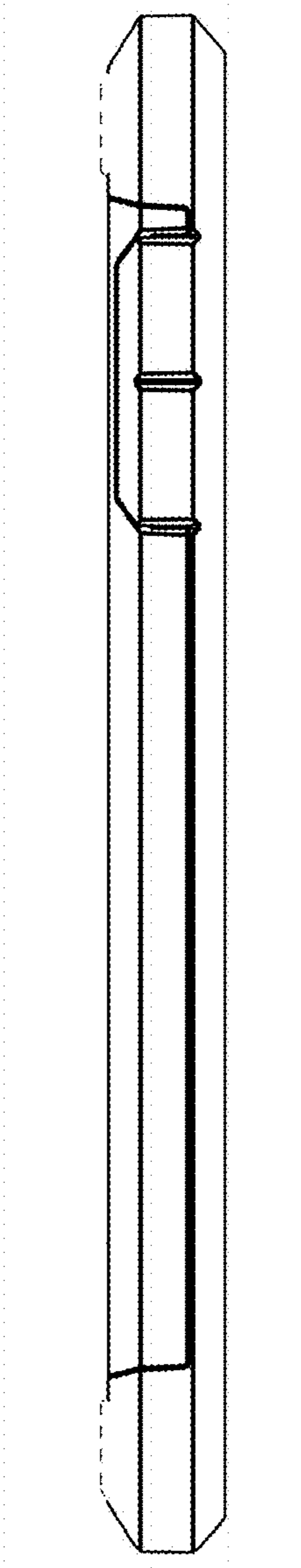


FIG. 6

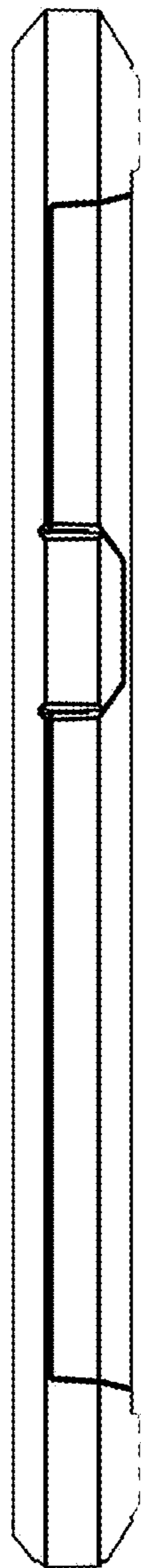


FIG. 7

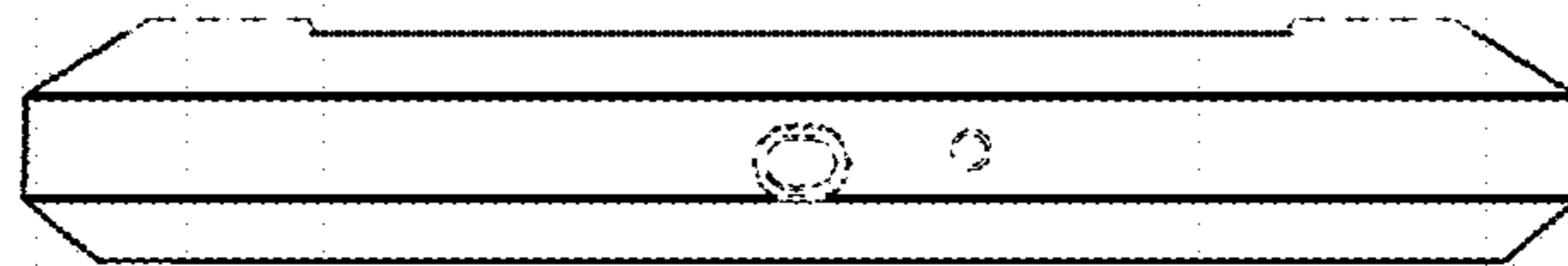


FIG. 8

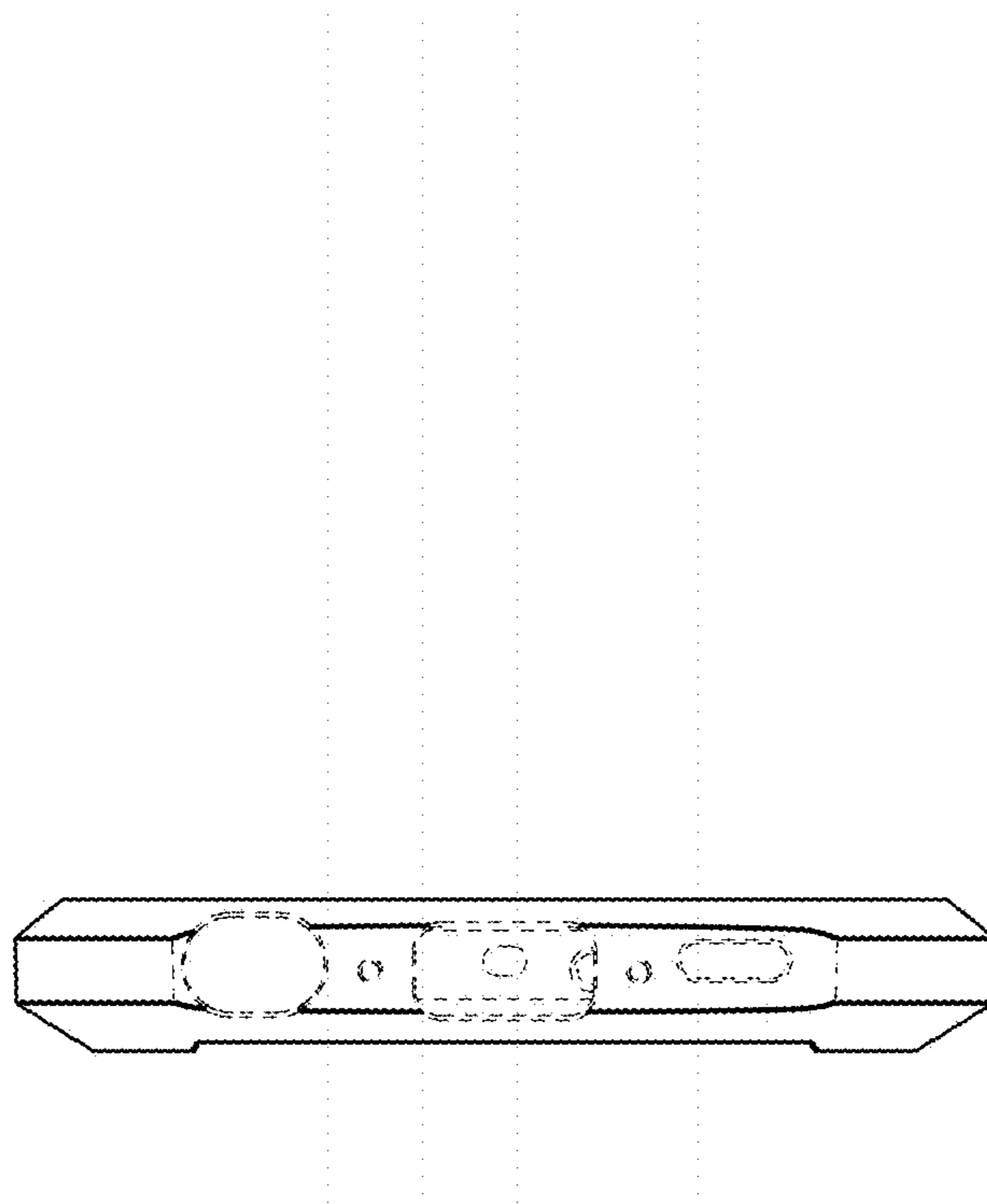


FIG. 9

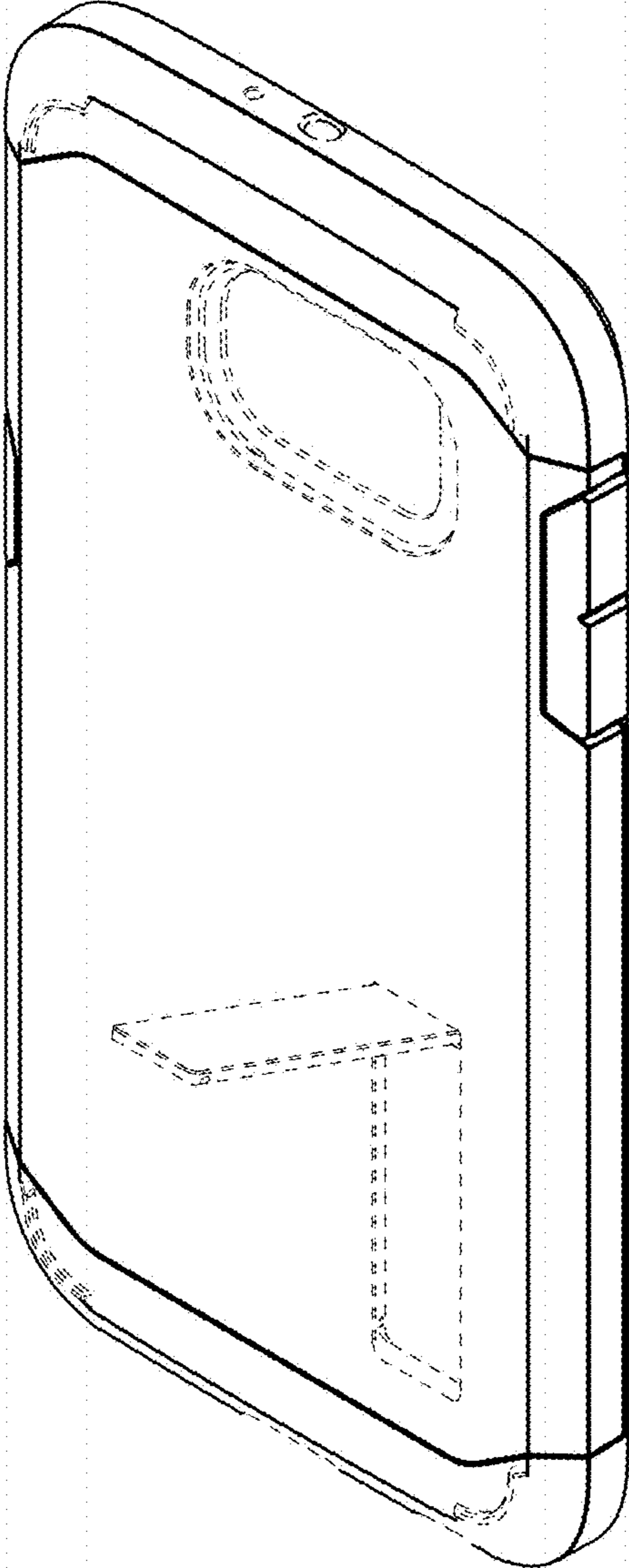


FIG. 10

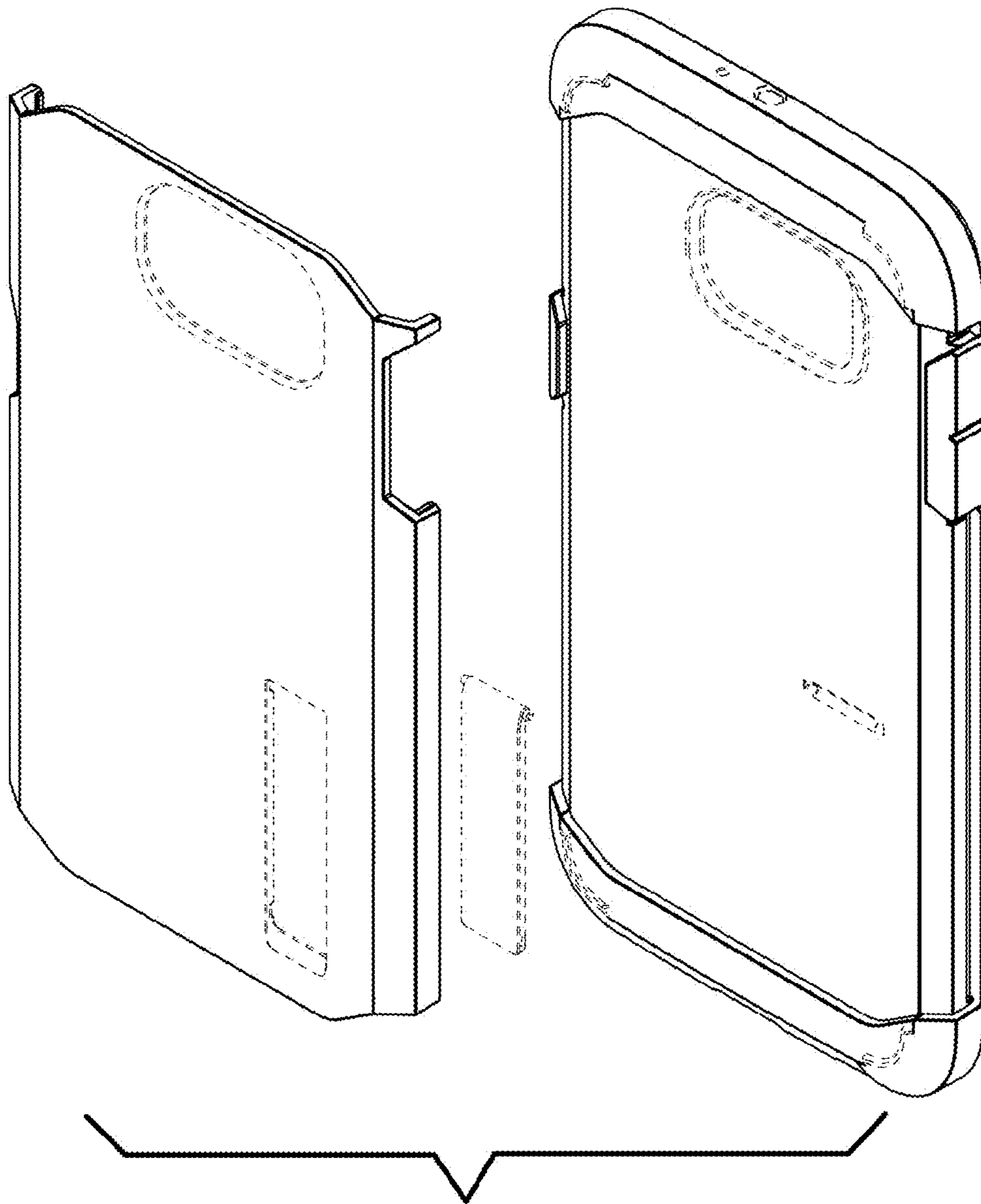


FIG. 11

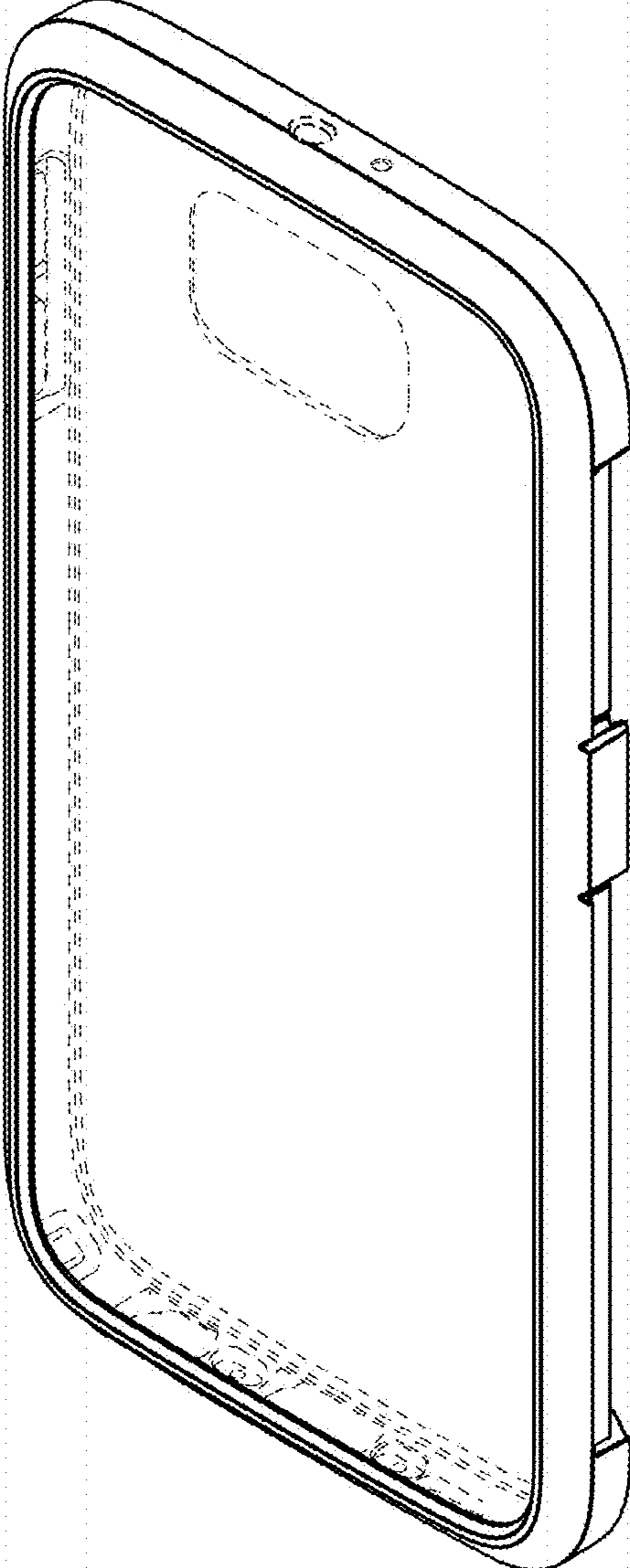


FIG. 12

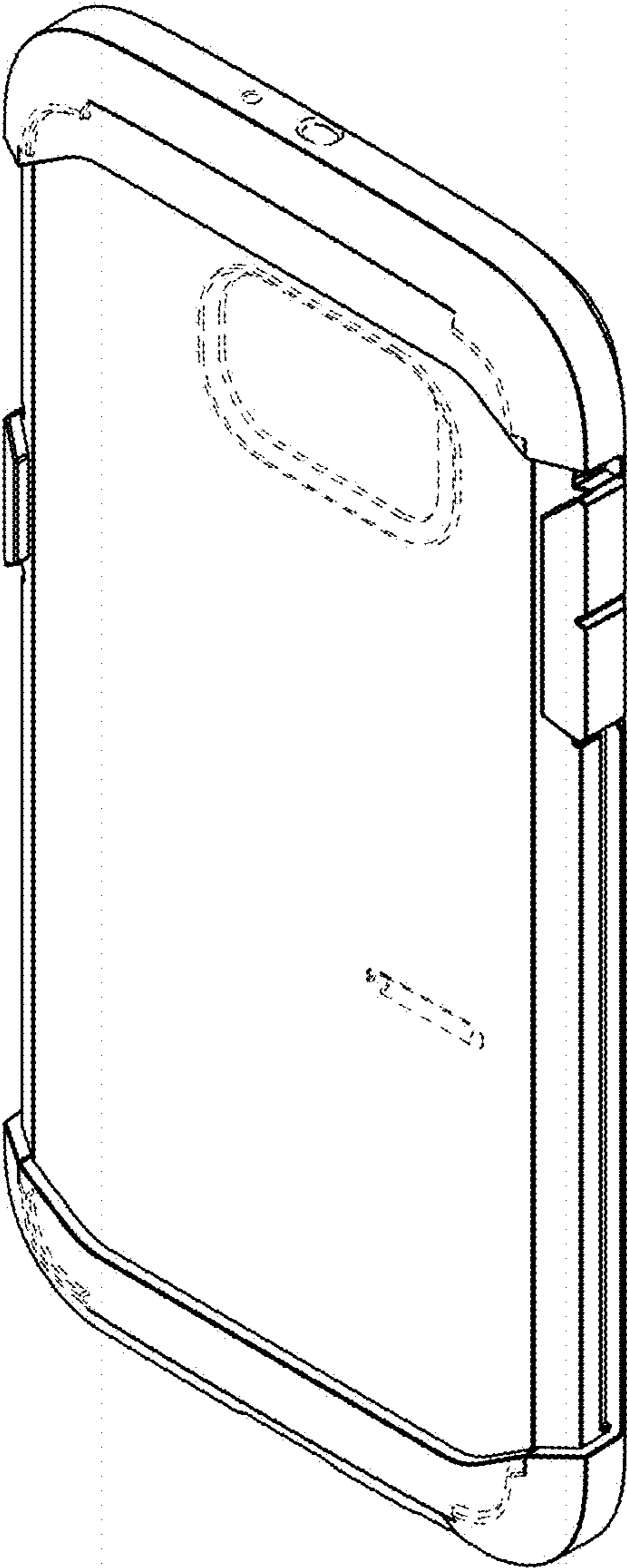


FIG. 13

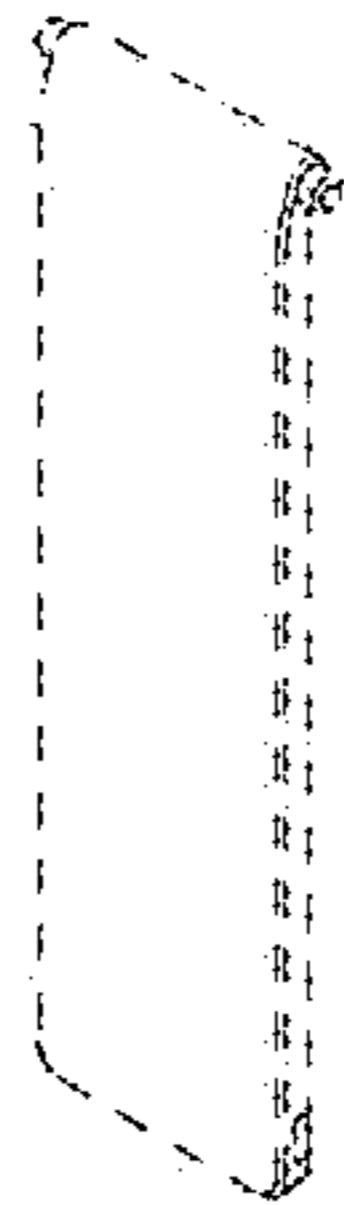


FIG. 14



FIG. 15

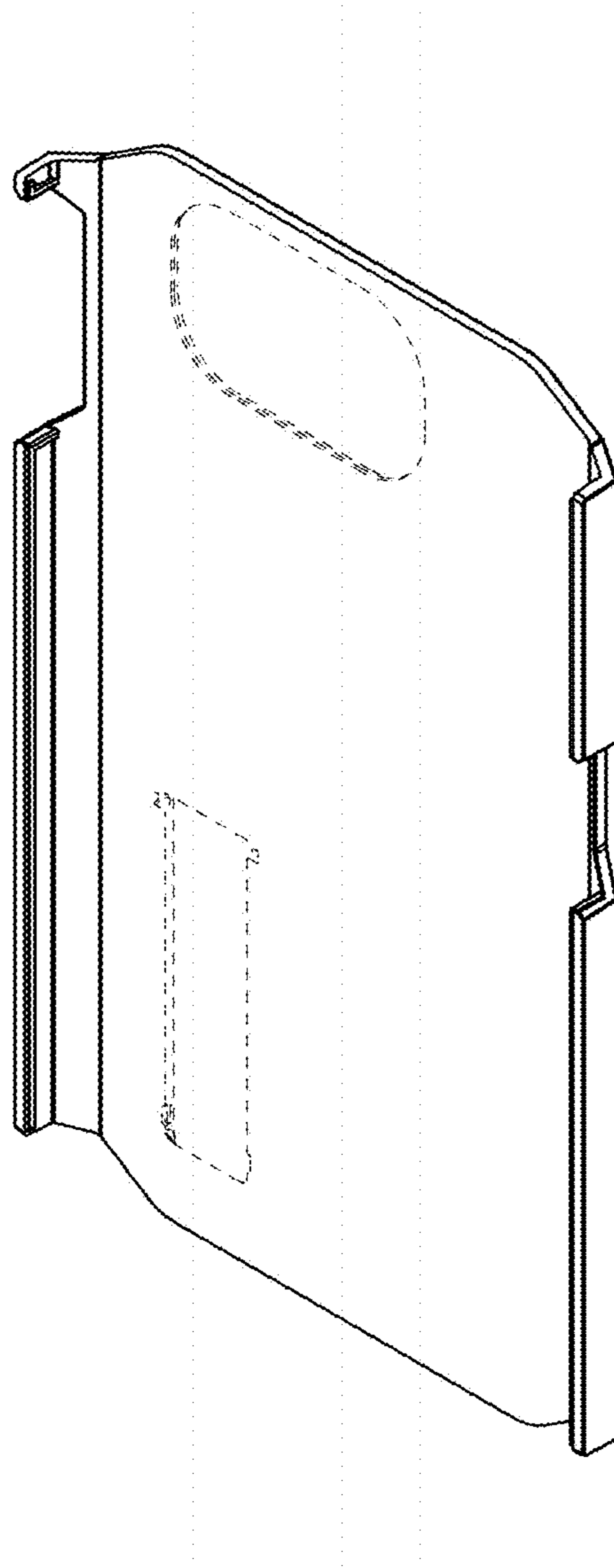


FIG. 16

