



US00D777155S

(12) **United States Design Patent**  
**Kim**

(10) **Patent No.:** **US D777,155 S**

(45) **Date of Patent:** **\*\* Jan. 24, 2017**

(54) **CASE FOR ELECTRONIC DEVICES**

(71) Applicant: **Dae-Young Kim**, Seoul (KR)

(72) Inventor: **Dae-Young Kim**, Seoul (KR)

(73) Assignee: **SPIGEN KOREA CO., LTD.**,  
Geumcheon-Gu, Seoul (KR)

(\*\*) Term: **14 Years**

(21) Appl. No.: **29/517,834**

(22) Filed: **Feb. 17, 2015**

(51) **LOC (10) Cl.** ..... **14-03**

(52) **U.S. Cl.**  
USPC ..... **D14/250**

(58) **Field of Classification Search**  
USPC ..... D14/143, 189, 203.2–203.7, 217, 238.1,  
D14/240, 248, 250, 251–253, 440, 447,  
D14/496; D13/103, 107–108, 119;  
D3/201, 218, 247, 269, 273, 301, 303  
CPC ..... A45C 1/06; A45C 11/00; A45C 13/02;  
A45C 2011/002; A45F 2005/026; A45F  
2200/0525; A45F 2200/0516; H04B  
1/3888; H04M 1/0283; H04M 1/0202  
See application file for complete search history.

(56) **References Cited**

**U.S. PATENT DOCUMENTS**

D619,361 S \* 7/2010 Andre ..... D3/269  
D646,265 S \* 10/2011 Fathollahi ..... D14/250  
D650,371 S \* 12/2011 Wibby ..... D14/238.1  
(Continued)

**OTHER PUBLICATIONS**

<http://www.spigen.com/collections/galaxy-s/products/galaxy-s6-case-slim-armor?variant=1150480597>—Earliest review date of May 12, 2015.\*

(Continued)

*Primary Examiner* — Manpreet Matharu

*Assistant Examiner* — Mojtaba Tehrani

(74) *Attorney, Agent, or Firm* — East West Law Group;  
Heedong Chae

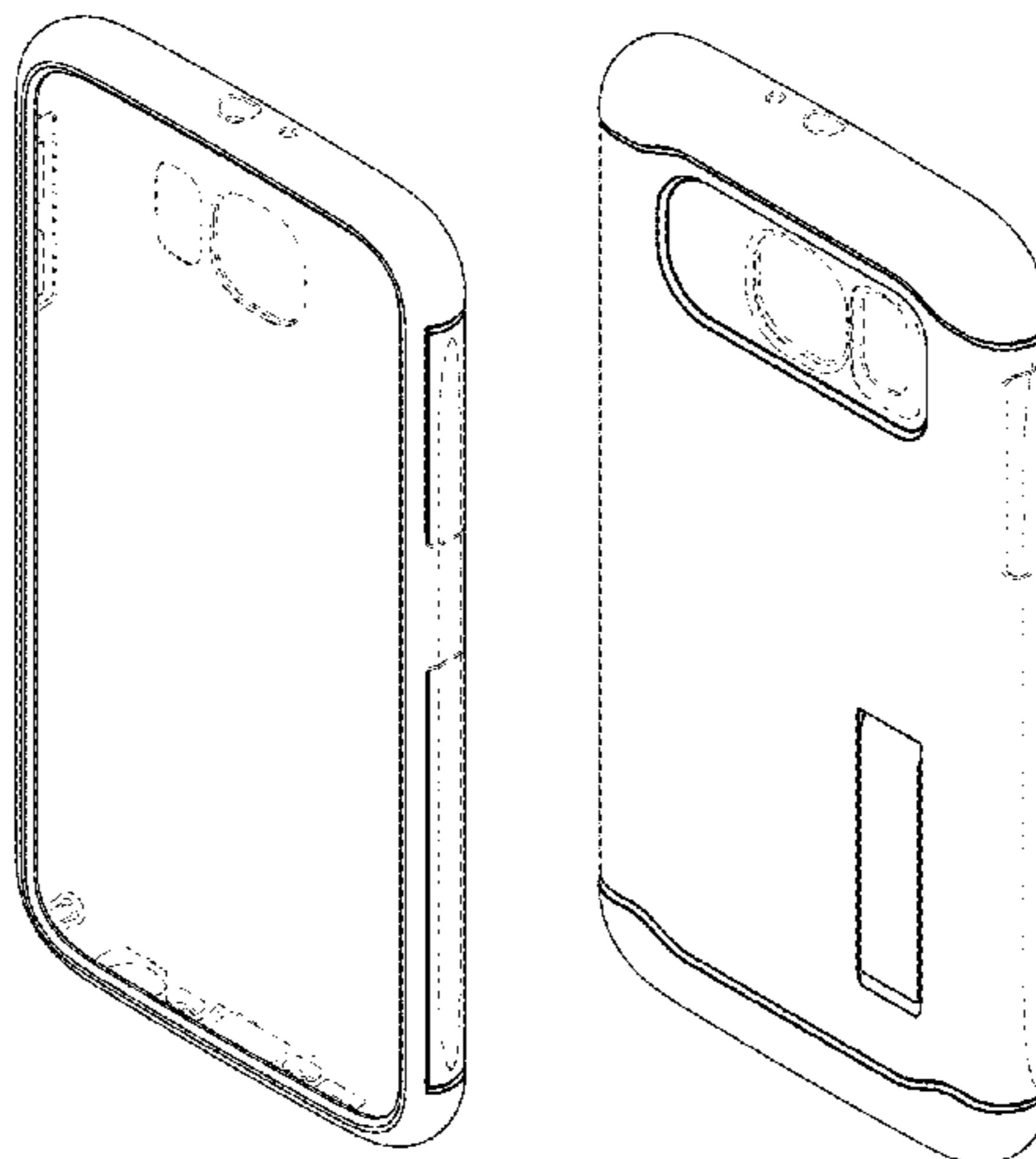
(57) **CLAIM**

The ornamental design for a case for electronic devices, as shown and described.

**DESCRIPTION**

FIG. 1 is a front perspective view of a case for electronic devices showing my new design;  
FIG. 2 is a rear perspective view thereof;  
FIG. 3 is a front elevational view thereof;  
FIG. 4 is a rear elevational view thereof;  
FIG. 5 is a left side elevational view thereof;  
FIG. 6 is a right side elevational view thereof;  
FIG. 7 is a top plan view thereof;  
FIG. 8 is a bottom plan view thereof;  
FIG. 9 is a rear perspective view thereof with a support leg extended;  
FIG. 10 is an exploded front perspective view thereof, showing an inner shell, the support leg, and an outer frame;  
FIG. 11 is an exploded rear perspective view thereof, showing an inner shell, the support leg, and an outer frame;  
FIG. 12 is a front perspective view of the inner shell of the case;  
FIG. 13 is a rear perspective view of the inner shell of the case;  
FIG. 14 is a front perspective view of the support leg of the case;  
FIG. 15 is a rear perspective view of the support leg of the case;  
FIG. 16 is a front perspective view of the outer frame of the case; and,  
FIG. 17 is a rear perspective view of the outer frame of the case.  
The broken line in the figure drawings represents unclaimed environment only and forms no part of the claimed design.

**1 Claim, 17 Drawing Sheets**



(56)

**References Cited**

U.S. PATENT DOCUMENTS

D679,271 S \* 4/2013 Liu ..... D13/103  
D681,615 S \* 5/2013 Fathollahi ..... D14/250  
D682,196 S \* 5/2013 Leung ..... D13/103  
8,517,172 B1 \* 8/2013 Chang ..... G06F 1/1626  
206/320  
D706,254 S \* 6/2014 Chang ..... D14/217  
D709,870 S \* 7/2014 Lee ..... D14/250  
D749,068 S \* 2/2016 Zaborski ..... D14/250  
D749,535 S \* 2/2016 Joung ..... D14/138 G  
2011/0050606 A1 \* 3/2011 Zhang ..... H04M 1/0202  
345/173  
2015/0335116 A1 \* 11/2015 Kim ..... A45C 11/00  
224/191

OTHER PUBLICATIONS

[http://www.amazon.com/Spigen%C2%AE-CUSHION-Gunmetal-Cushioned-Protective/dp/B00QU4OJRU/ref=cm\\_cr\\_arp\\_d\\_product\\_top?ie=UTF8](http://www.amazon.com/Spigen%C2%AE-CUSHION-Gunmetal-Cushioned-Protective/dp/B00QU4OJRU/ref=cm_cr_arp_d_product_top?ie=UTF8)—Earliest review date of Apr. 4, 2015.\*

\* cited by examiner

FIG. 1

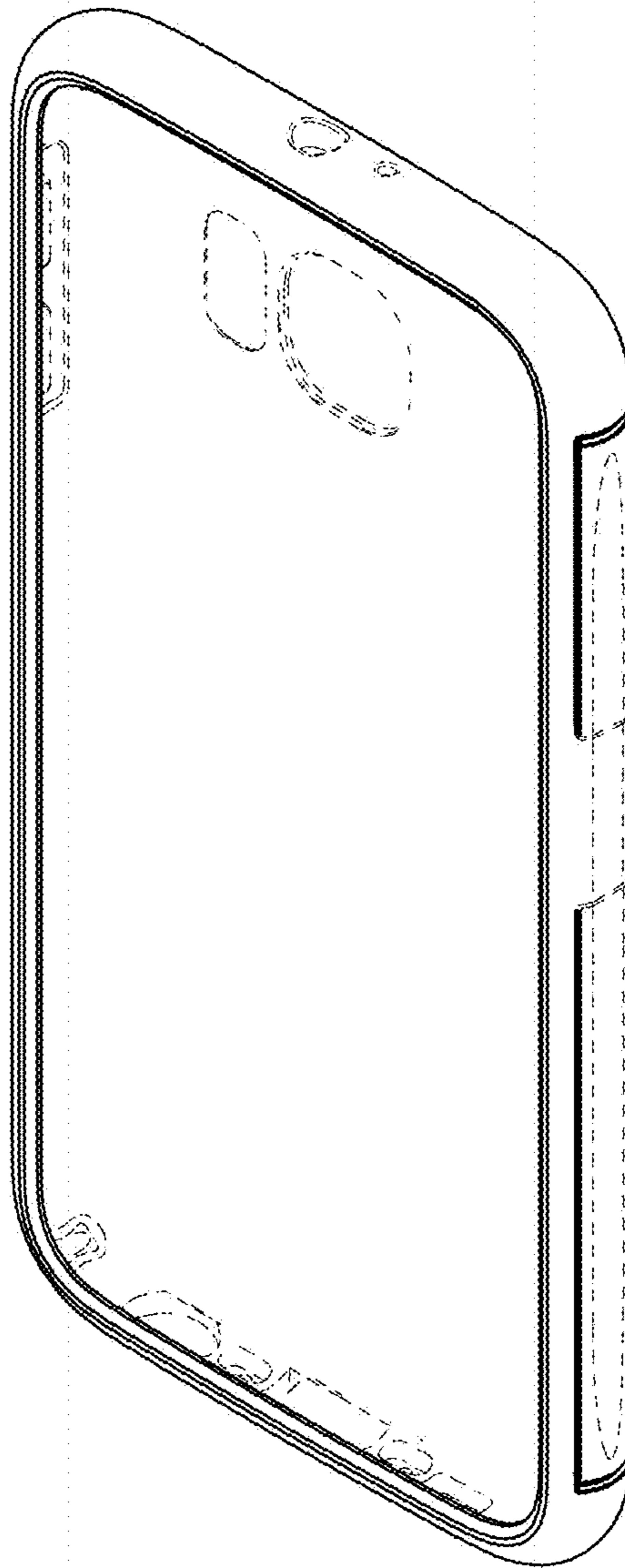


FIG. 2

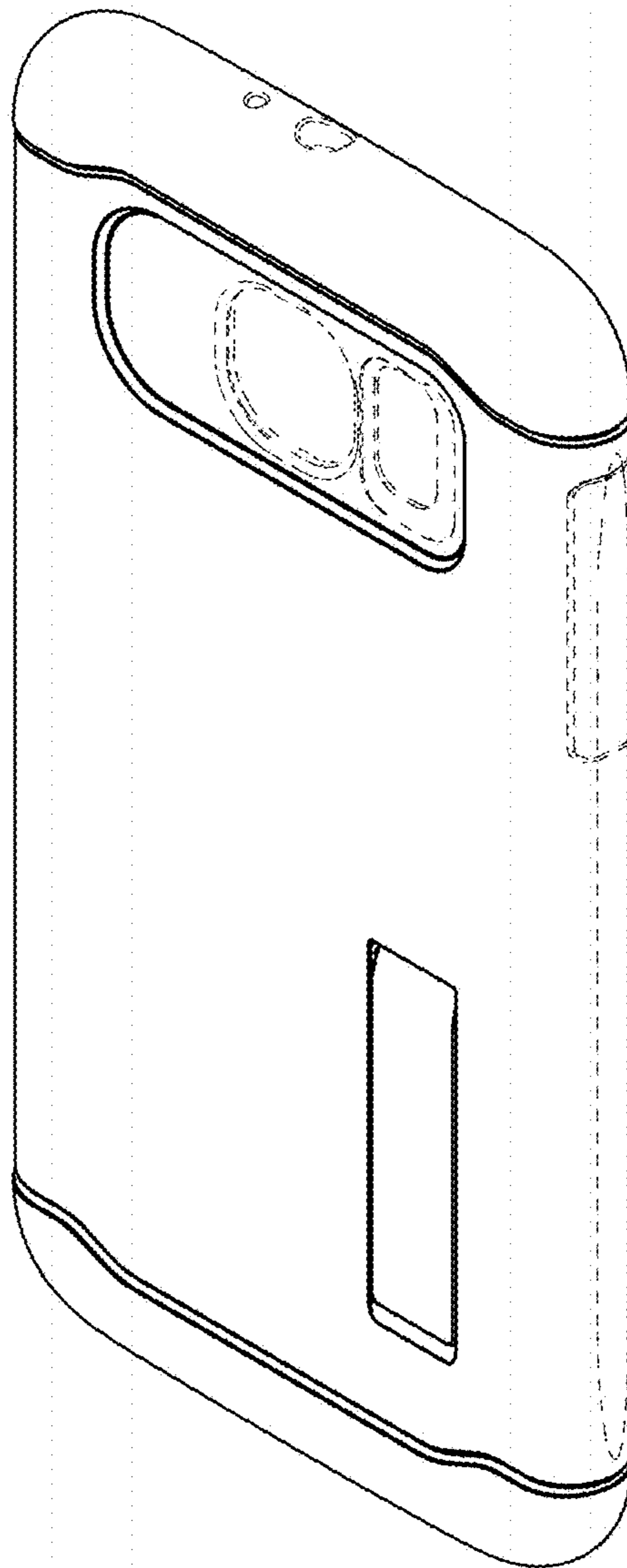


FIG. 3

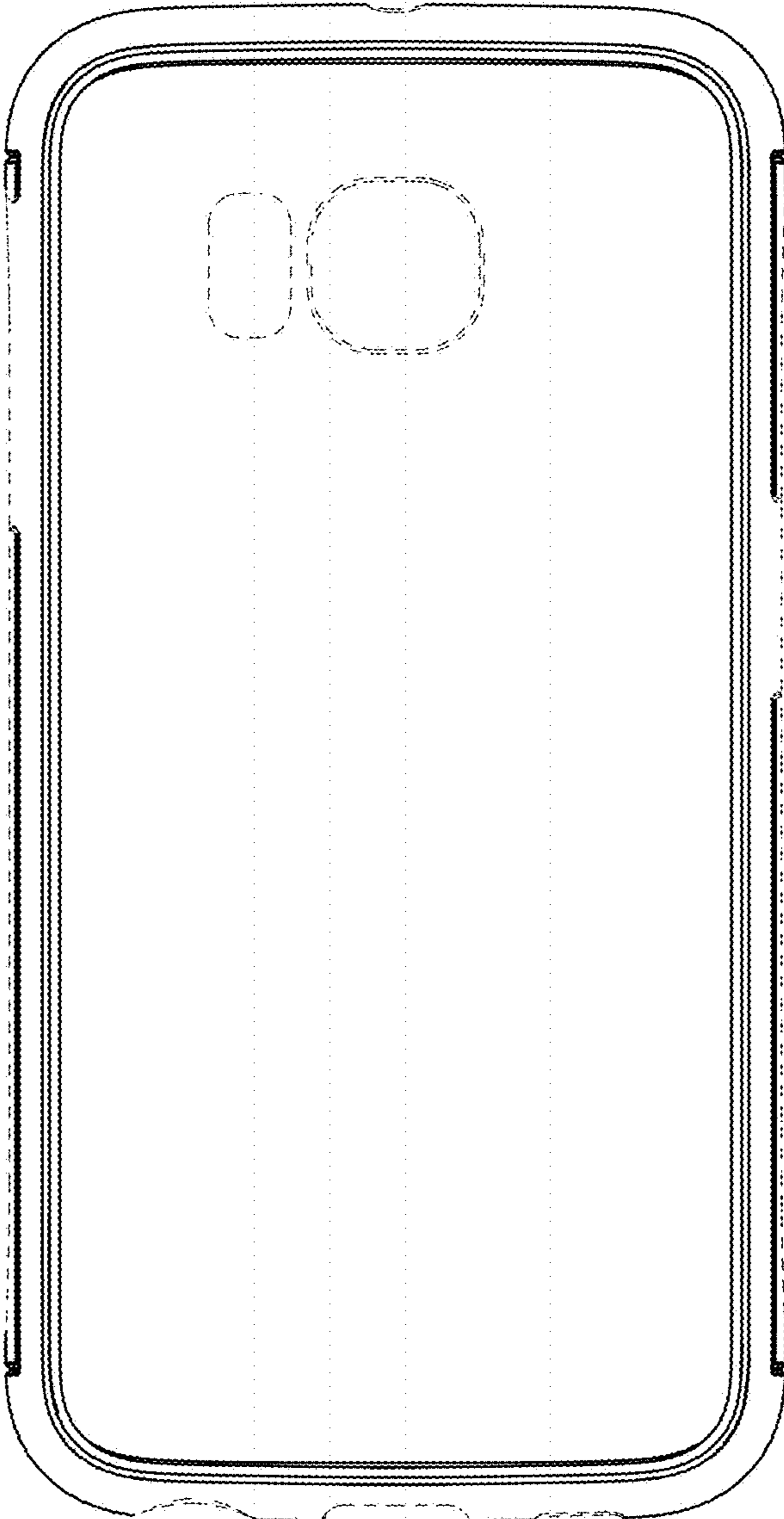


FIG. 4

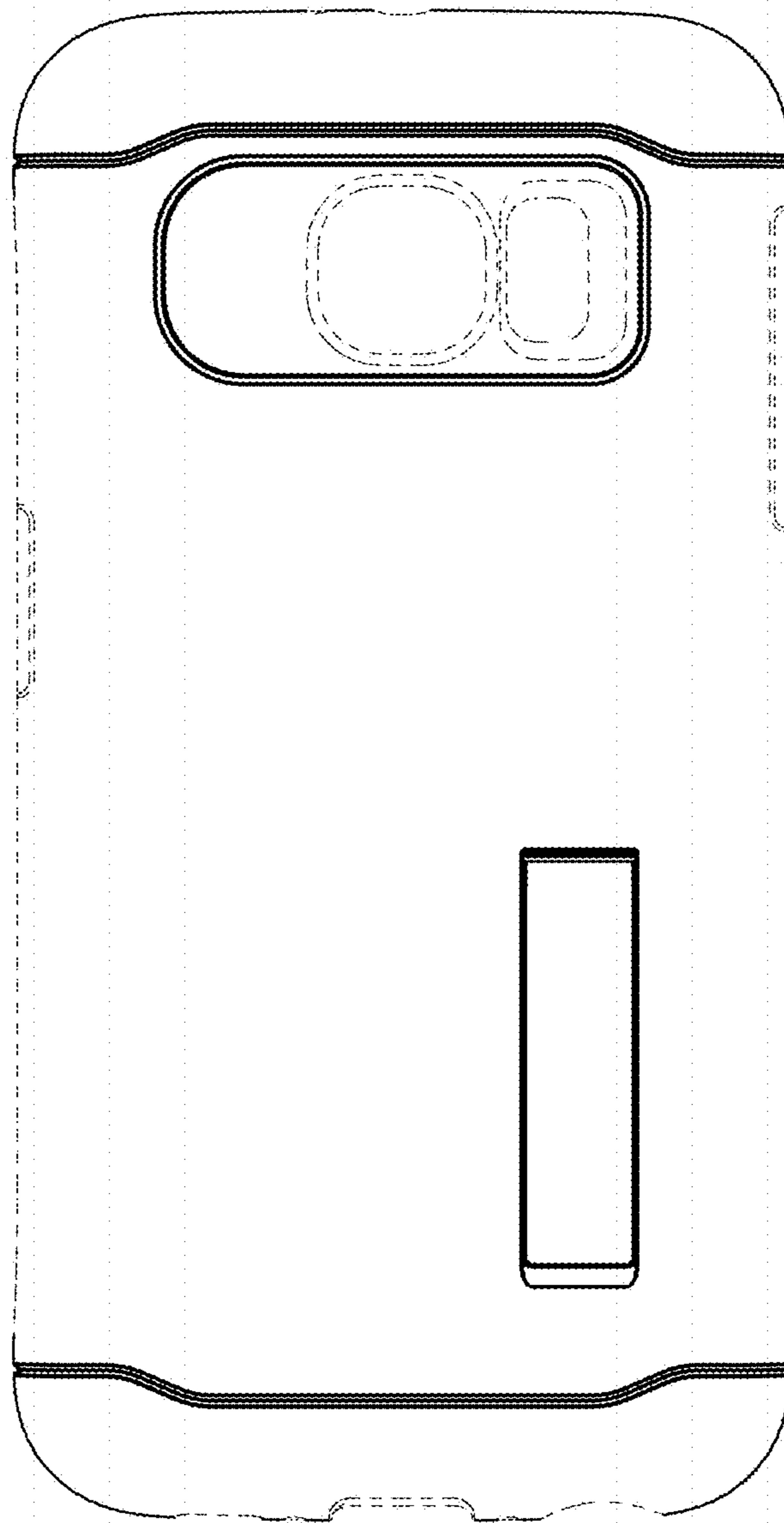




FIG. 5

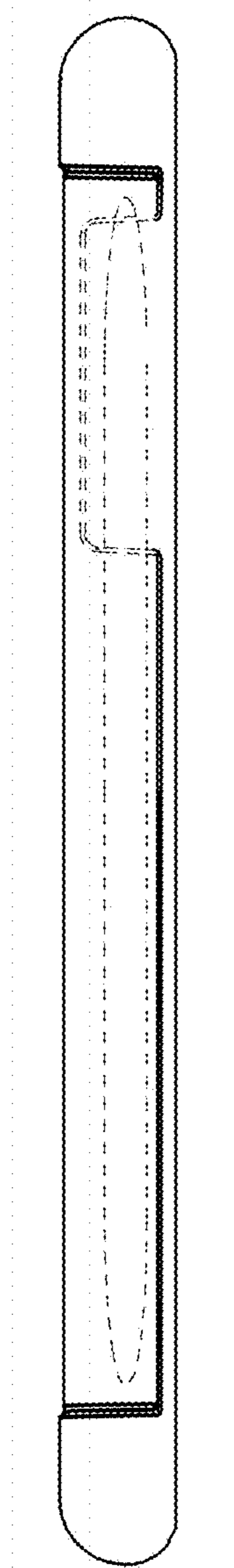


FIG. 6

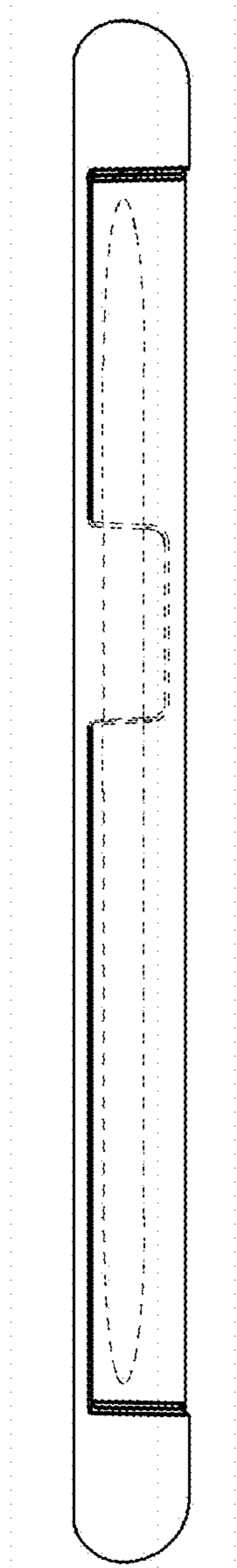




FIG. 7



FIG. 8

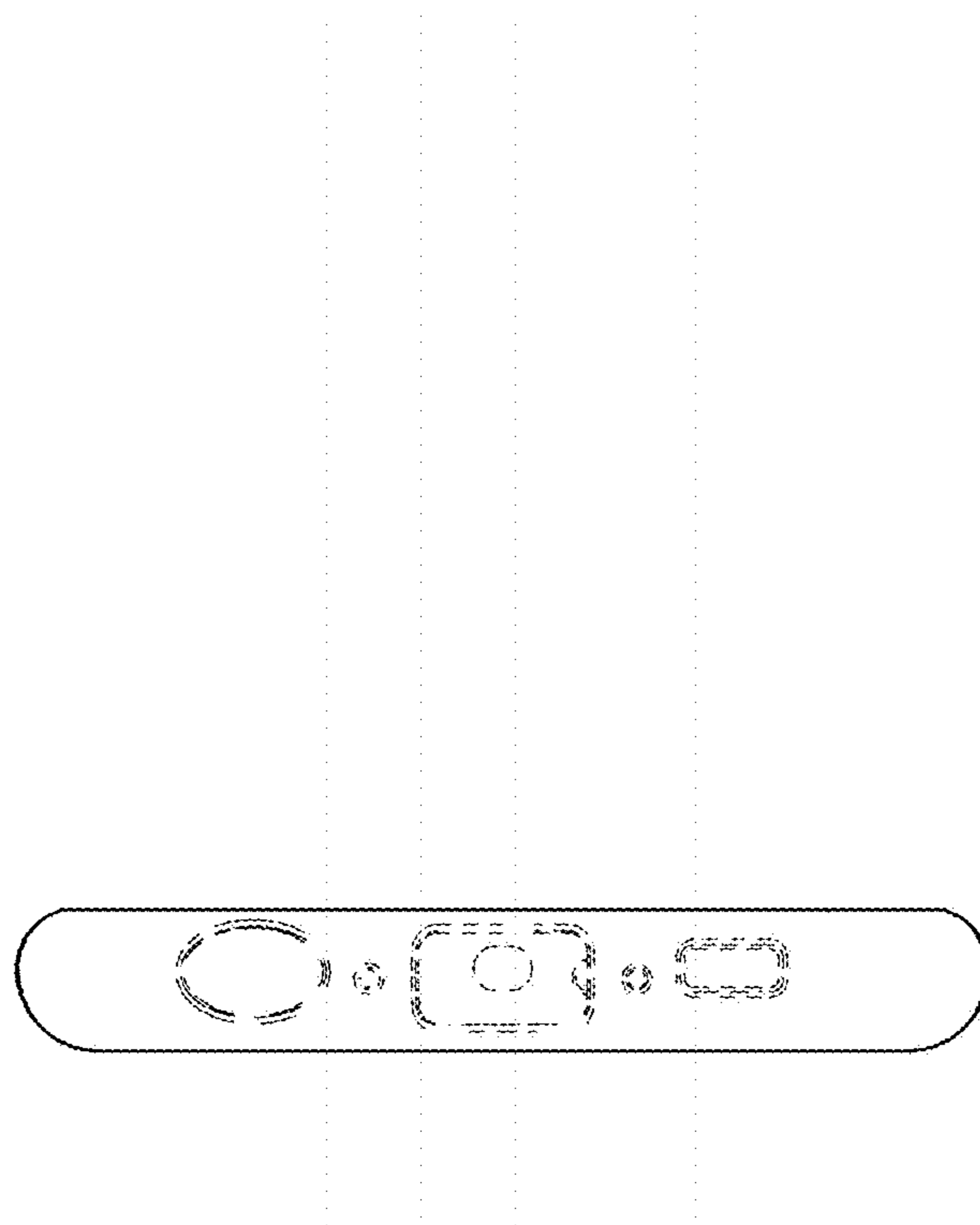


FIG. 9

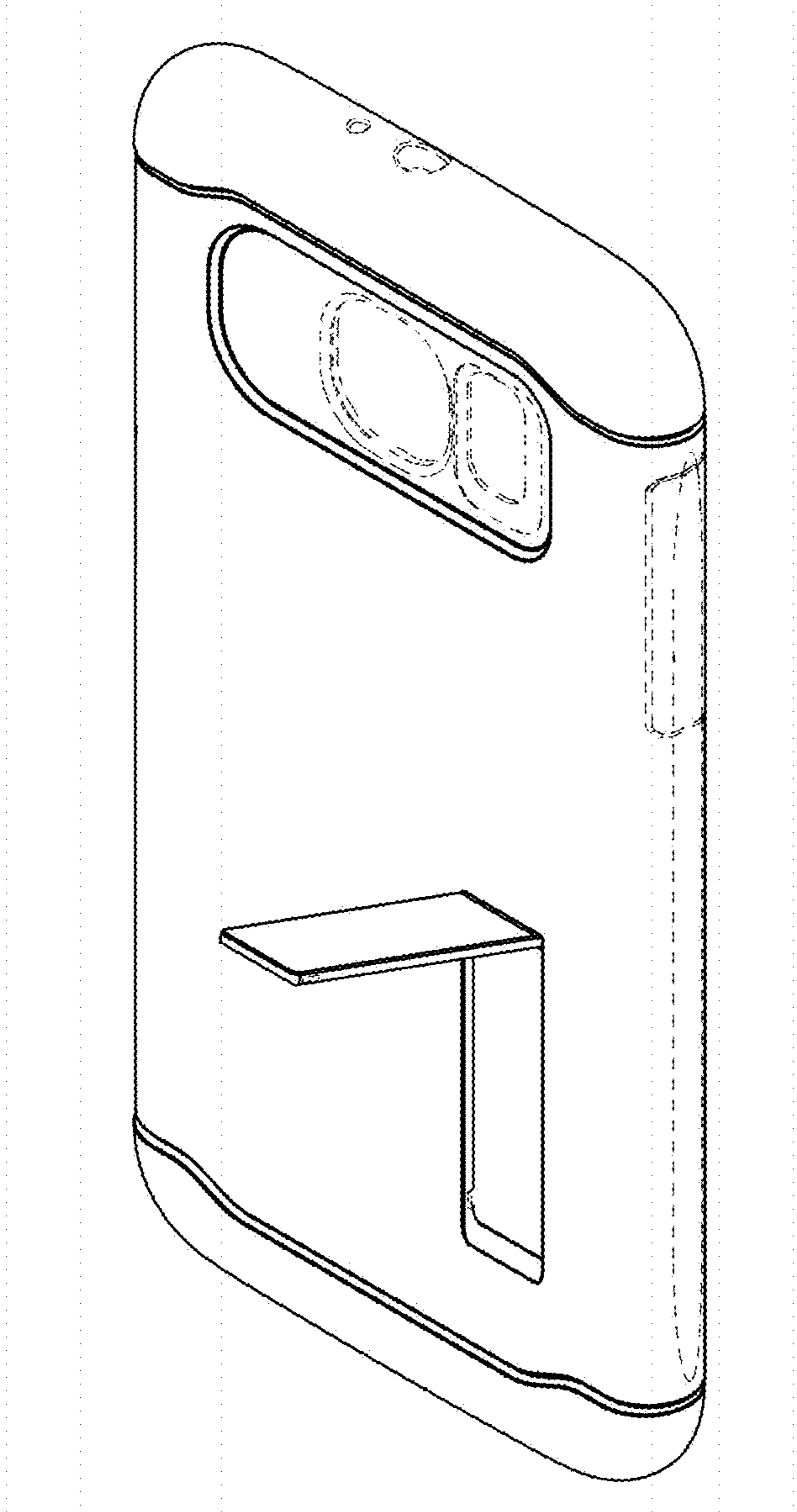


FIG. 10

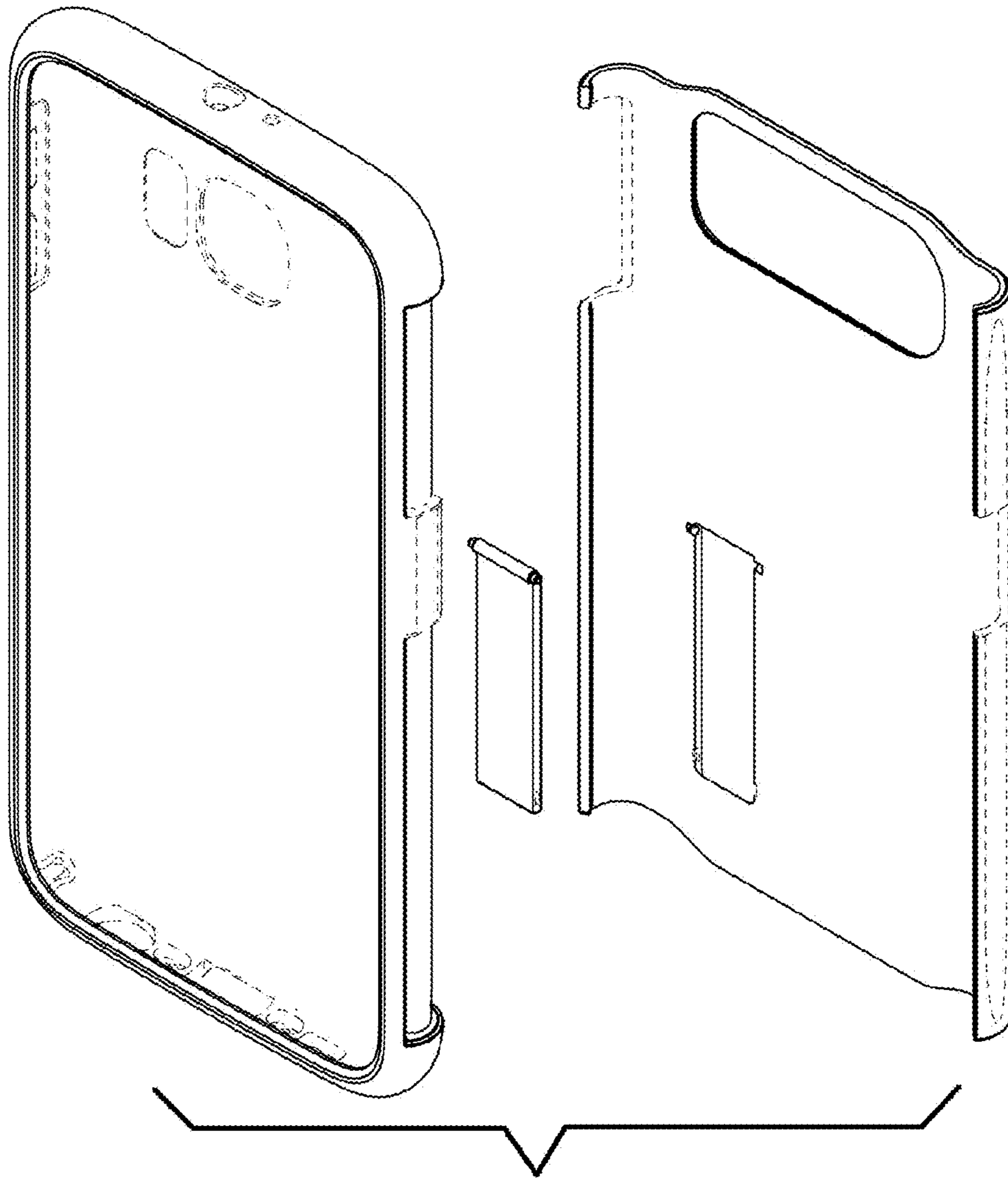


FIG. 11

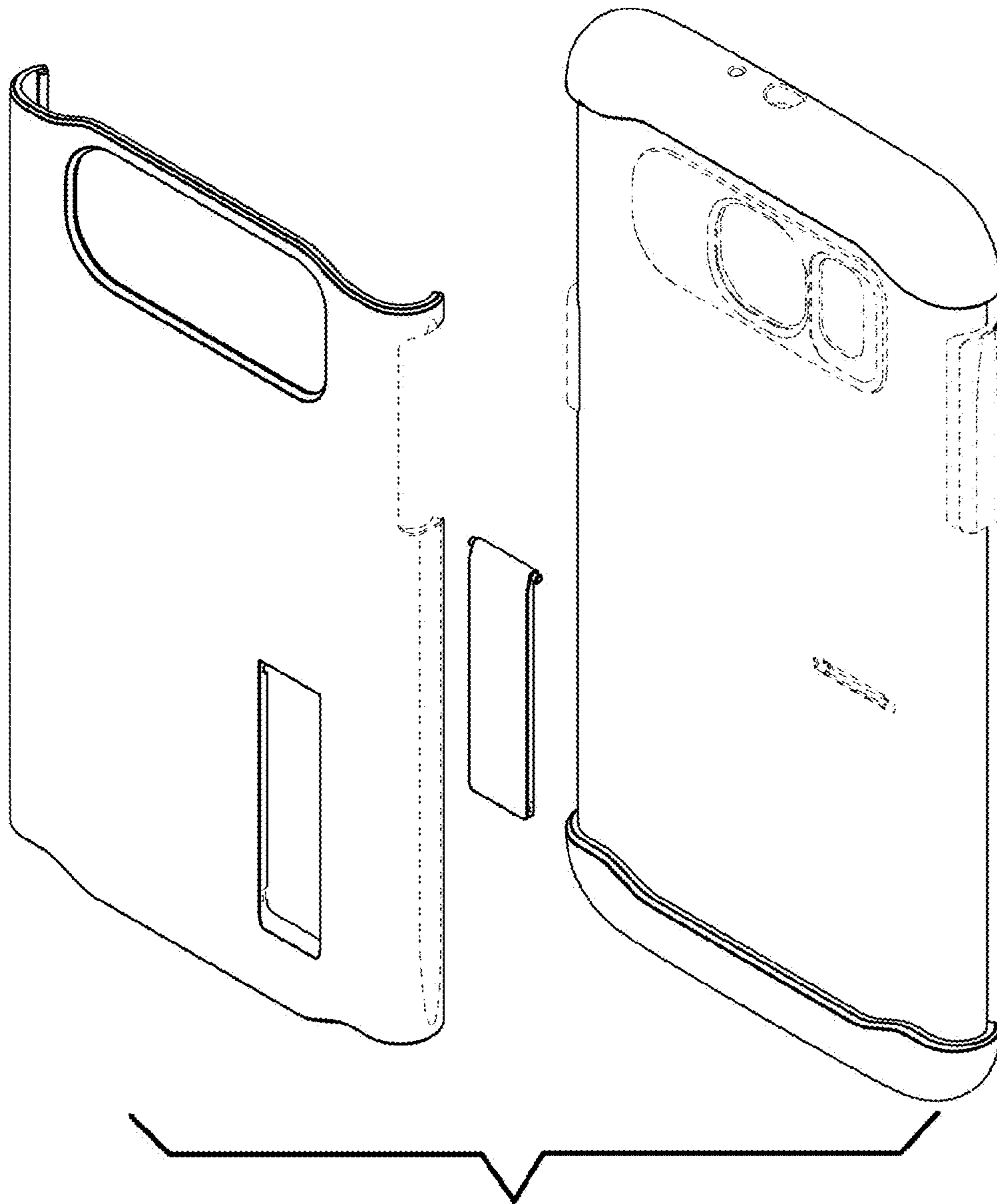


FIG. 12

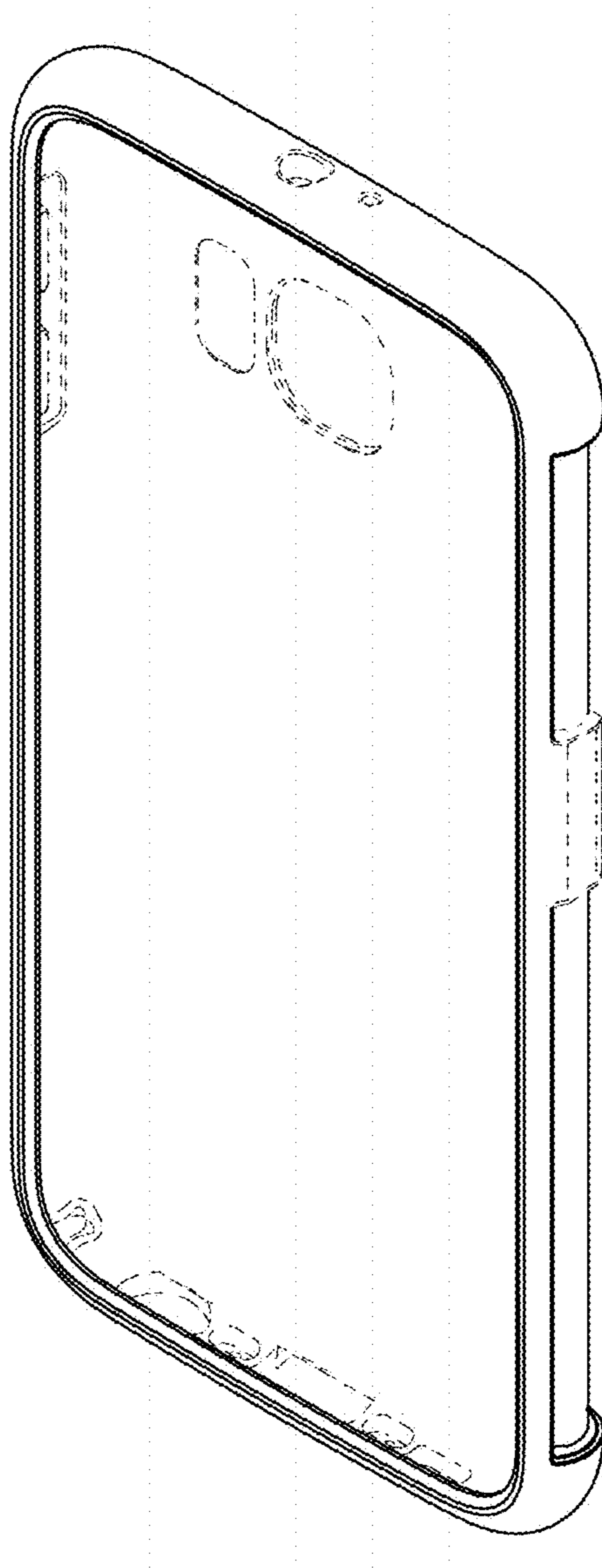


FIG. 13

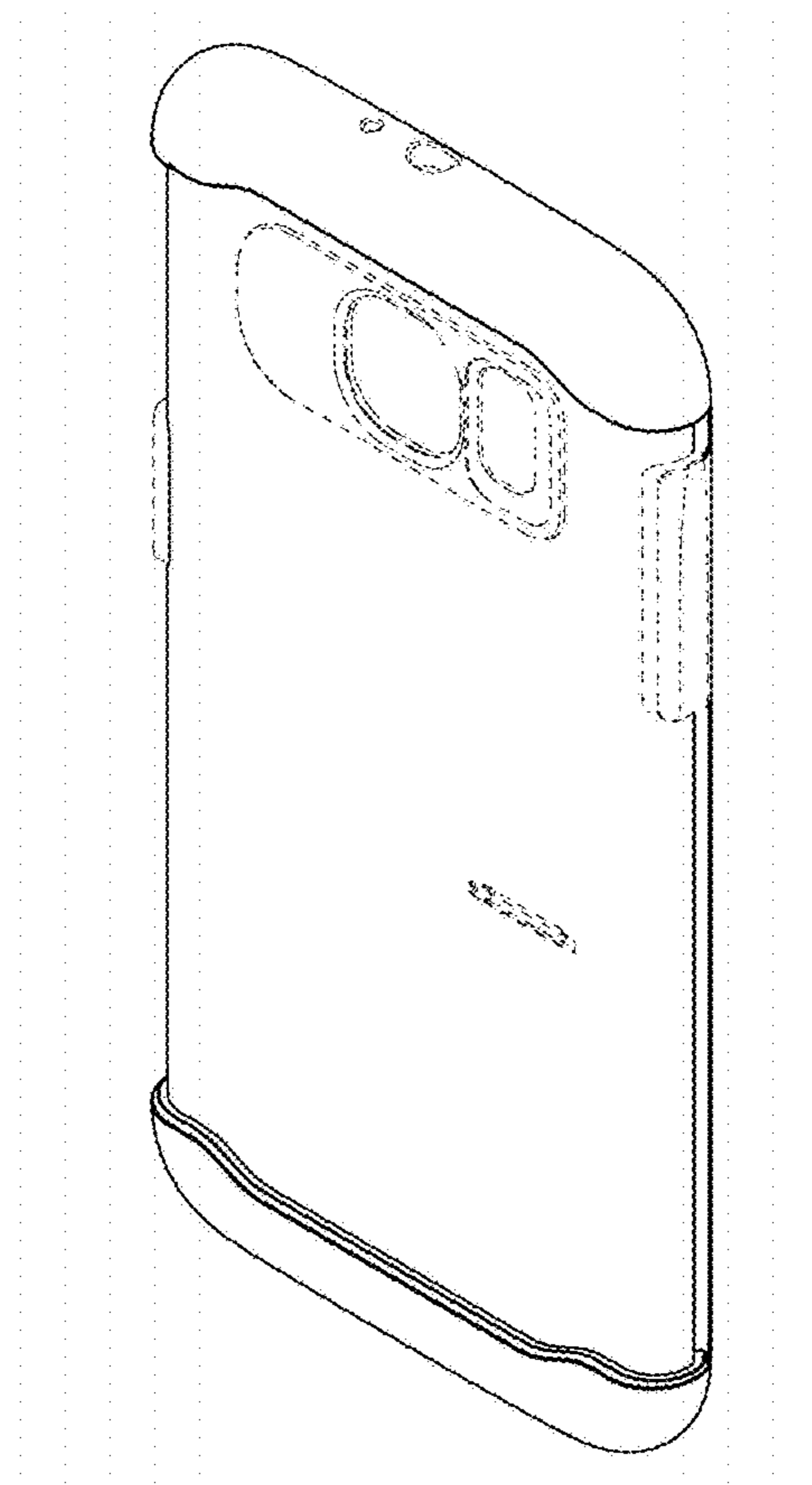




FIG. 14

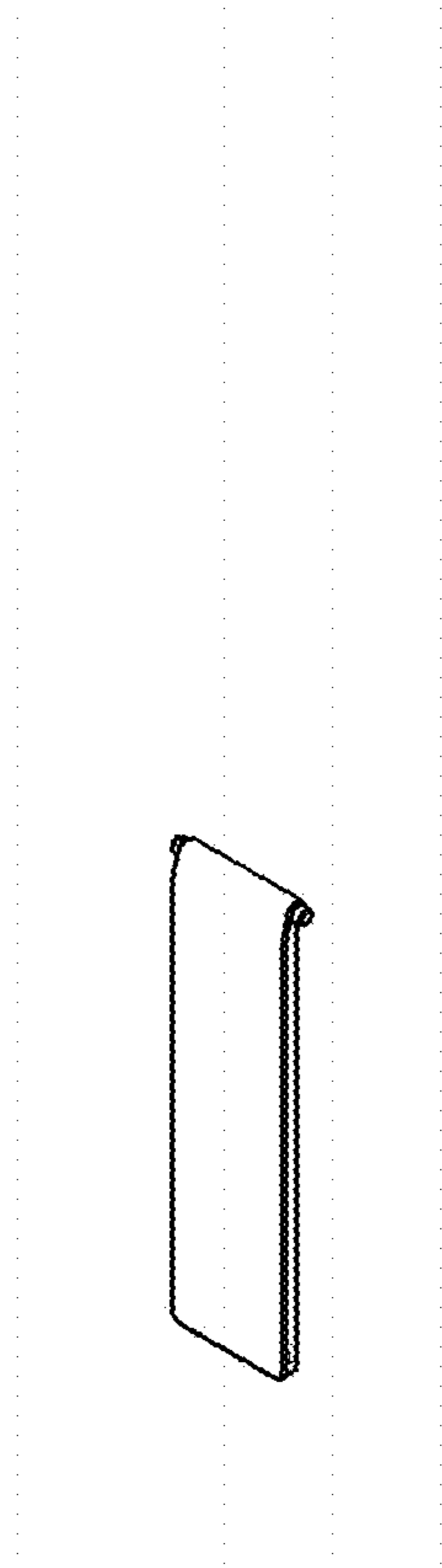


FIG. 15

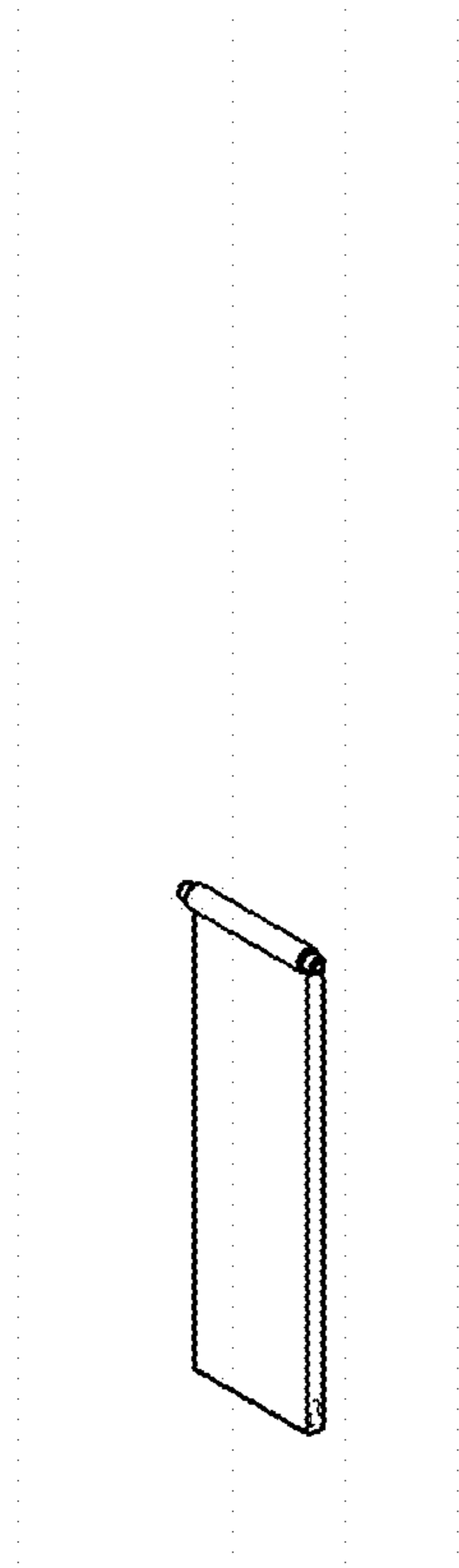


FIG. 16

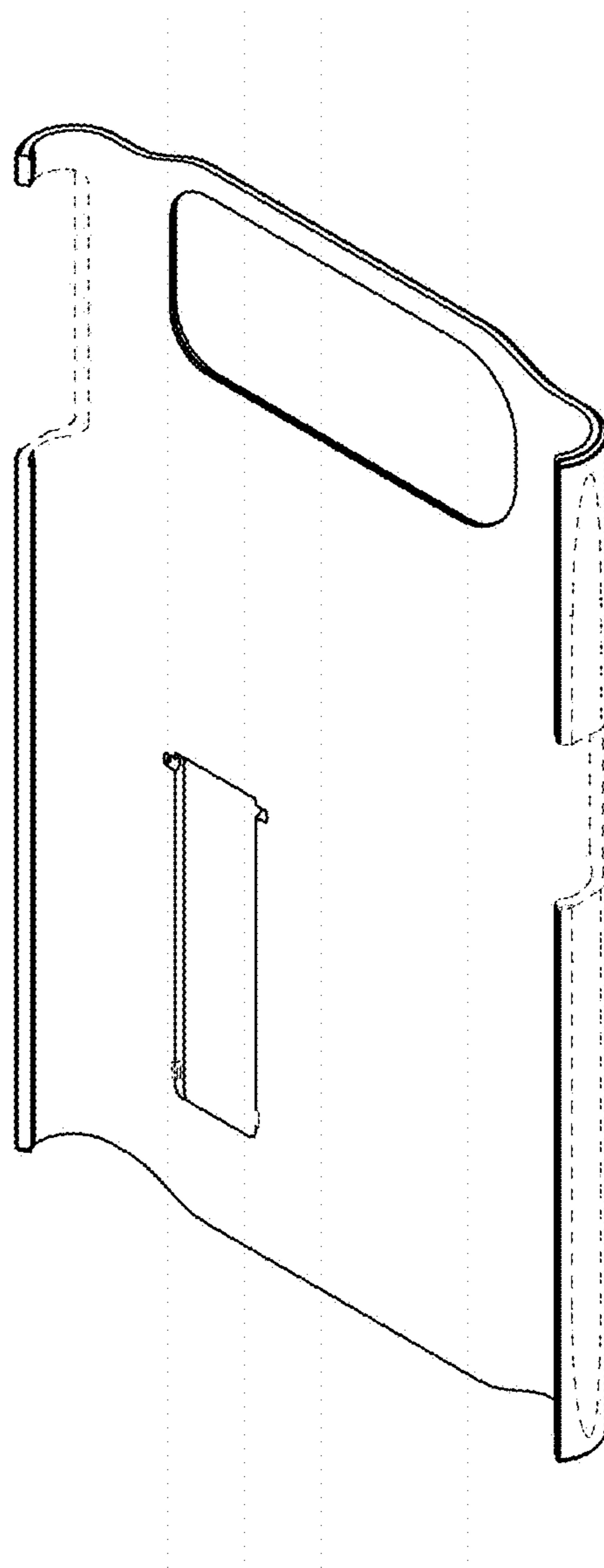


FIG. 17

