



US00D777150S

(12) **United States Design Patent**  
**Manton**

(10) **Patent No.:** **US D777,150 S**

(45) **Date of Patent:** **\*\* Jan. 24, 2017**

(54) **LOUDSPEAKER HOLDER**

(71) Applicant: **David Barrie Manton**, Richmond (CA)

(72) Inventor: **David Barrie Manton**, Richmond (CA)

(\*\*) Term: **14 Years**

(21) Appl. No.: **29/510,206**

(22) Filed: **Nov. 25, 2014**

(51) **LOC (10) Cl.** ..... **14-01**

(52) **U.S. Cl.**

USPC ..... **D14/224**

(58) **Field of Classification Search**

USPC ..... D14/224, 172, 204, 207–209, 210–216,  
D14/219–222, 299; 181/152, 199,  
181/144–148, 156, 170, 173; 248/317,  
248/291.1, 323; 211/113, 118; D21/673

CPC ..... H05K 7/18; H05K 5/00  
See application file for complete search history.

(56) **References Cited**

**U.S. PATENT DOCUMENTS**

- 37,686 A \* 2/1863 Goldwatt ..... A47G 25/743  
211/113
- 557,732 A \* 4/1896 Wade ..... F16M 11/04  
248/324
- 1,430,573 A \* 10/1922 Lindstrom ..... A63B 21/1636  
482/40
- D73,759 S \* 11/1927 Robin ..... D14/209
- D77,654 S 2/1929 Schwartz
- 1,741,068 A 12/1929 Newsom
- 2,268,495 A \* 12/1941 Petty ..... G01V 1/52  
248/610
- D150,315 S 7/1948 Richards
- 2,480,327 A \* 8/1949 Idelsohn ..... A47G 25/32  
211/113
- 2,626,175 A \* 1/1953 Jessop ..... B66C 1/04  
248/317
- 2,628,289 A \* 2/1953 Olson ..... H04R 1/08  
381/176

- 2,632,620 A \* 3/1953 Hurley ..... F21S 8/06  
248/343
- 2,714,965 A \* 8/1955 Fitzkee et al. .... A47G 25/743  
211/113
- 2,717,437 A 9/1955 Mestral
- 2,805,062 A \* 9/1957 Holmes ..... A63K 3/043  
182/155

(Continued)

**OTHER PUBLICATIONS**

Allen Products, Speaker Suspension Beam System, 2-way Array, 48", <http://www.fullcompass.com/product/254242.html>, publication date unknown.

(Continued)

*Primary Examiner* — Paula Greene

(74) *Attorney, Agent, or Firm* — Kolisch Hartwell, P.C.

(57) **CLAIM**

The ornamental design for a loudspeaker holder, as shown and described.

**DESCRIPTION**

FIG. 1 is a perspective view of a loudspeaker holder according to my new design, with the environment shown in broken lines;

FIG. 2 is a perspective view of the loudspeaker holder of FIG. 1 without the environment;

FIG. 3 is a front view of the loudspeaker holder of FIG. 2;

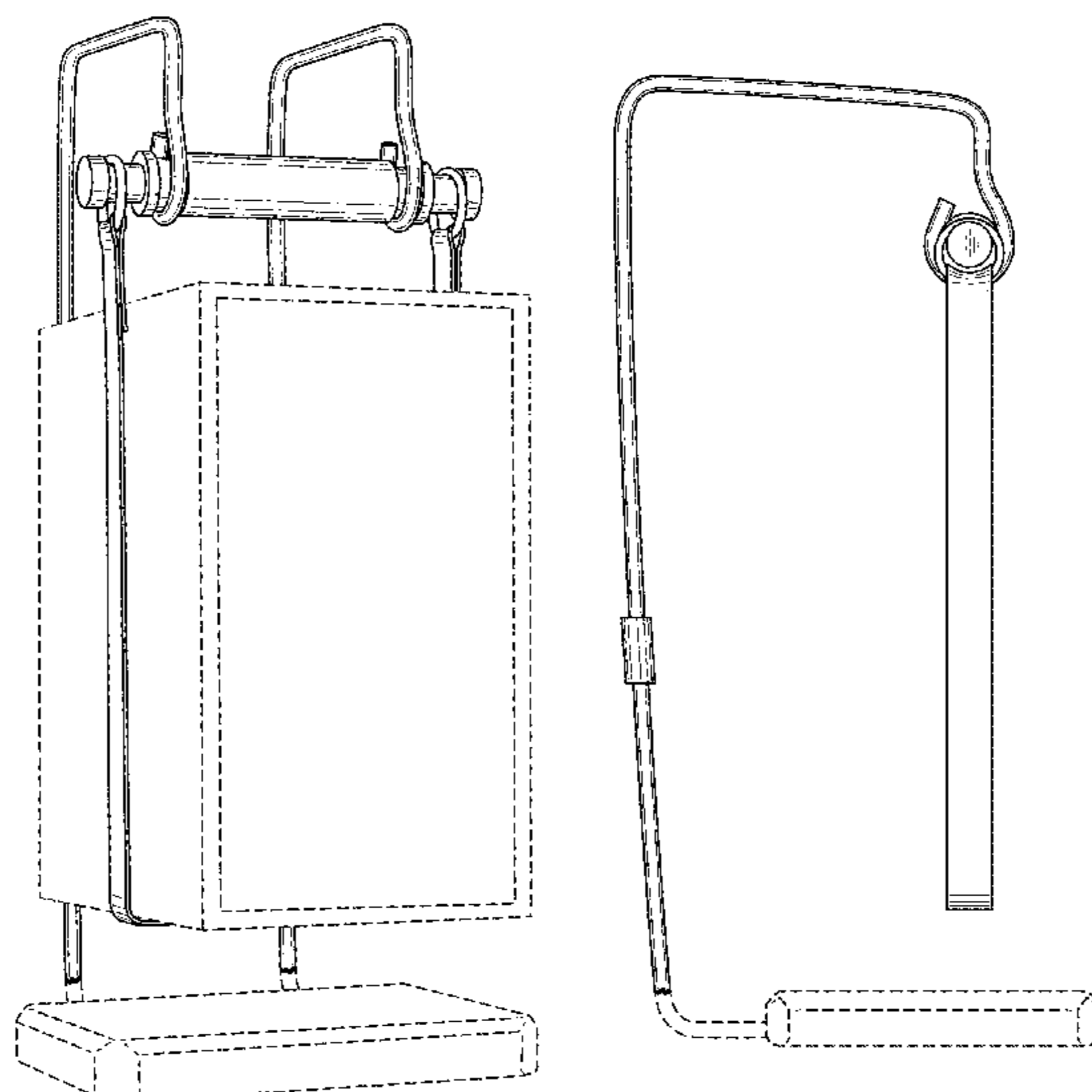
FIG. 4 is a rear view of the loudspeaker holder of FIG. 2;

FIG. 5 is a right hand side view of the loudspeaker holder of FIG. 2, the left hand side view being a mirror image of the right hand side view;

FIG. 6 is a top plan view of the loudspeaker holder of FIG. 2; and,

FIG. 7 is a bottom view of the loudspeaker holder of FIG. 2.

**1 Claim, 6 Drawing Sheets**



(56)

References Cited

U.S. PATENT DOCUMENTS

2,954,958 A \* 10/1960 Sander ..... A63G 9/00  
248/317

3,034,844 A 5/1962 Anderson et al.

3,063,570 A 11/1962 Kroner

D202,899 S \* 11/1965 Charlton ..... D14/209

3,358,957 A \* 12/1967 Lindenmuth ..... F16M 11/04  
248/279.1

3,370,818 A 2/1968 Perr

3,512,605 A \* 5/1970 McCorkle ..... B60N 2/4876  
181/141

3,586,276 A \* 6/1971 O'Mahoney ..... A61G 7/0503  
248/128

3,716,232 A \* 2/1973 Johnson ..... A63B 1/005  
482/40

3,743,341 A \* 7/1973 Gale ..... B66C 1/18  
294/74

D233,763 S \* 11/1974 Crum ..... D14/209

D235,885 S \* 7/1975 Huitvedt ..... D11/141

D239,629 S 4/1976 Wiener et al.

4,063,614 A 12/1977 Iven

4,078,757 A 3/1978 Waters

4,082,159 A \* 4/1978 Petty ..... H04R 1/26  
181/153

4,101,109 A 7/1978 Edwards

D249,857 S 10/1978 Adkinson

4,194,096 A \* 3/1980 Ramsey ..... H04R 1/08  
381/363

4,227,669 A 10/1980 McInnis

4,253,662 A \* 3/1981 Podolak ..... A63B 21/00181  
482/104

D267,374 S 12/1982 Karson

4,377,114 A \* 3/1983 Fuller ..... A47F 5/0892  
108/103

4,387,873 A 6/1983 Pavlo et al.

4,408,678 A 10/1983 White, Jr.

4,417,714 A 11/1983 Charm

D274,328 S \* 6/1984 Phelps ..... D14/204

D276,154 S 10/1984 Werback

4,520,979 A 6/1985 McInnis

4,660,728 A \* 4/1987 Martin ..... H04R 1/026  
211/118

4,673,154 A \* 6/1987 Karapita ..... A61M 5/1415  
248/320

4,709,922 A \* 12/1987 Slade, Jr. ..... A63B 21/0783  
482/104

D298,887 S 12/1988 Irace

4,791,674 A \* 12/1988 Drever ..... H04R 1/08  
381/368

D303,391 S \* 9/1989 Stallings, Jr. ..... D14/209

4,964,606 A \* 10/1990 Beam ..... F16M 11/12  
248/188.5

5,024,407 A \* 6/1991 Bartley ..... A47B 97/00  
248/164

D318,280 S 7/1991 Sumrell et al.

5,048,825 A \* 9/1991 Kelly ..... A63B 21/154  
482/904

5,139,223 A \* 8/1992 Sedighzadeh ..... A47B 81/06  
248/278.1

D329,646 S \* 9/1992 Stone ..... D14/209

5,169,104 A 12/1992 Kwoh

5,179,367 A \* 1/1993 Shimizu ..... G09F 7/18  
248/317

D334,934 S \* 4/1993 Hsieh ..... D14/204

D345,616 S \* 3/1994 Lin ..... D26/63

5,368,270 A \* 11/1994 Wiwczar ..... H04R 1/026  
248/316.4

5,393,025 A 2/1995 Franklin

D356,568 S \* 3/1995 Ichikawa ..... D14/209

5,429,571 A \* 7/1995 Smith ..... A63B 21/018  
482/114

D360,887 S 8/1995 Karnaze

5,659,155 A 8/1997 Porzilli

5,755,542 A \* 5/1998 Janusz ..... C21D 9/0093  
248/58

5,758,852 A \* 6/1998 Martin ..... H04R 1/026  
181/199

5,819,959 A \* 10/1998 Martin ..... H04R 1/026  
211/118

D405,987 S 2/1999 Kuehn

6,098,944 A \* 8/2000 Pangborn ..... A47B 96/06  
248/316.1

6,247,551 B1 \* 6/2001 Heron ..... G10K 1/066  
181/170

D480,066 S \* 9/2003 Martikainen ..... D14/214

6,640,924 B2 \* 11/2003 Messner ..... H04R 1/026  
181/144

6,705,974 B1 \* 3/2004 Tardif ..... A63B 21/068  
482/148

6,910,548 B2 6/2005 Powell

7,063,299 B2 \* 6/2006 Facey ..... F16G 11/10  
248/317

D530,309 S \* 10/2006 Hoehn ..... D14/211

7,261,180 B1 \* 8/2007 Faranda ..... H04R 1/026  
181/144

D571,779 S 6/2008 Matsuoka

D597,074 S \* 7/2009 Lee ..... D14/211

7,762,409 B2 \* 7/2010 Vickroy ..... A47G 25/06  
211/113

7,883,067 B2 2/2011 Walters et al.

D689,473 S \* 9/2013 Manton ..... D14/224

D723,004 S \* 2/2015 Kang ..... D14/215

2003/0075656 A1 \* 4/2003 Muir ..... E05C 17/045  
248/276.1

2003/0173485 A1 9/2003 Chen

2005/0061937 A1 \* 3/2005 Kim ..... F16M 11/10  
248/274.1

OTHER PUBLICATIONS

Approved for brochure—Little Mountain Sound Systems Studios (Studio A), publication date unknown.  
Sale of at least one unit as depicted in the drawings and as described in U.S. Appl. No. 06/820,679, filed Jan. 21, 1986, unpublished, abandoned, sale date prior to Jan. 17, 1989.

\* cited by examiner

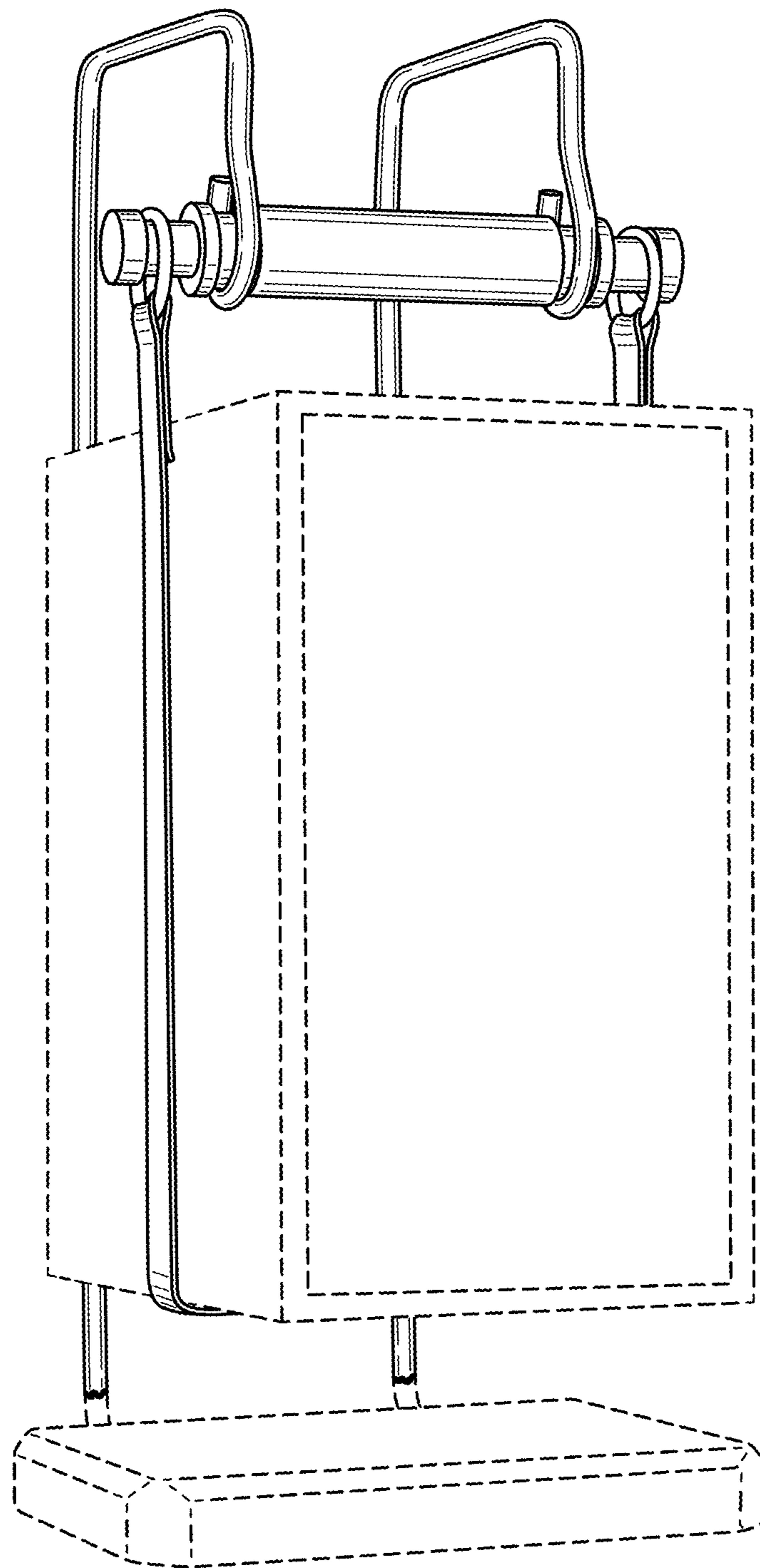
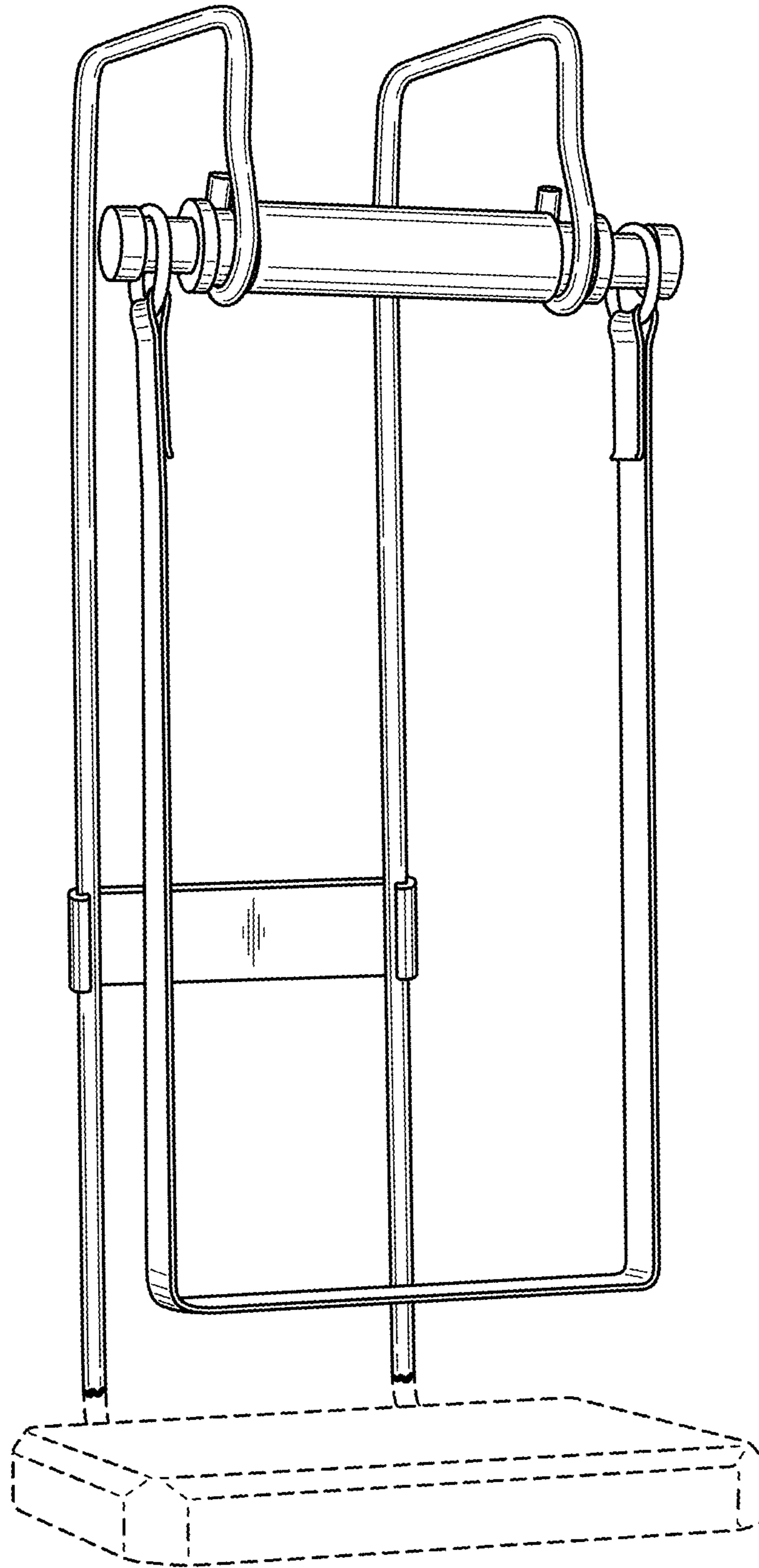
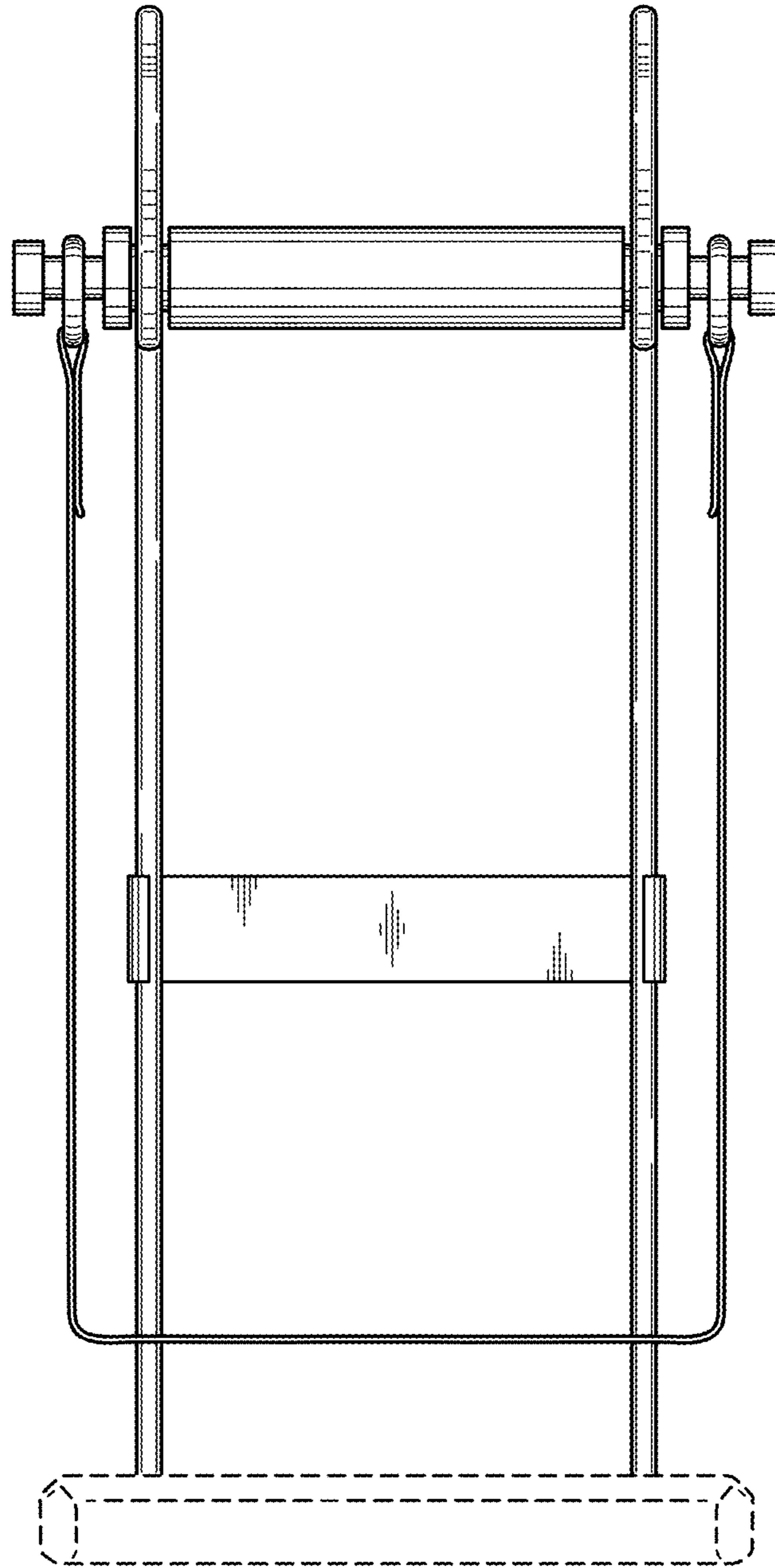


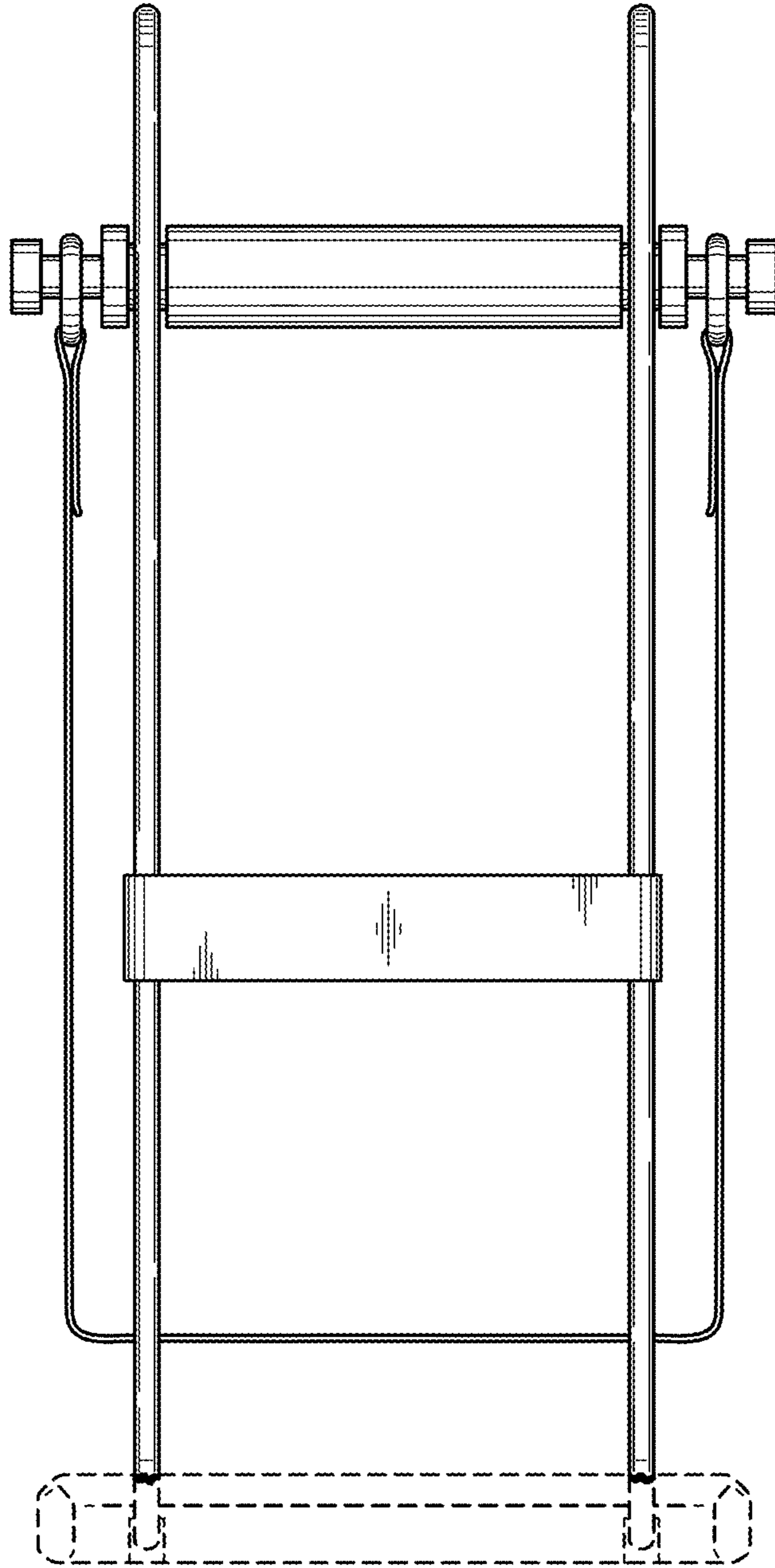
FIG. 1



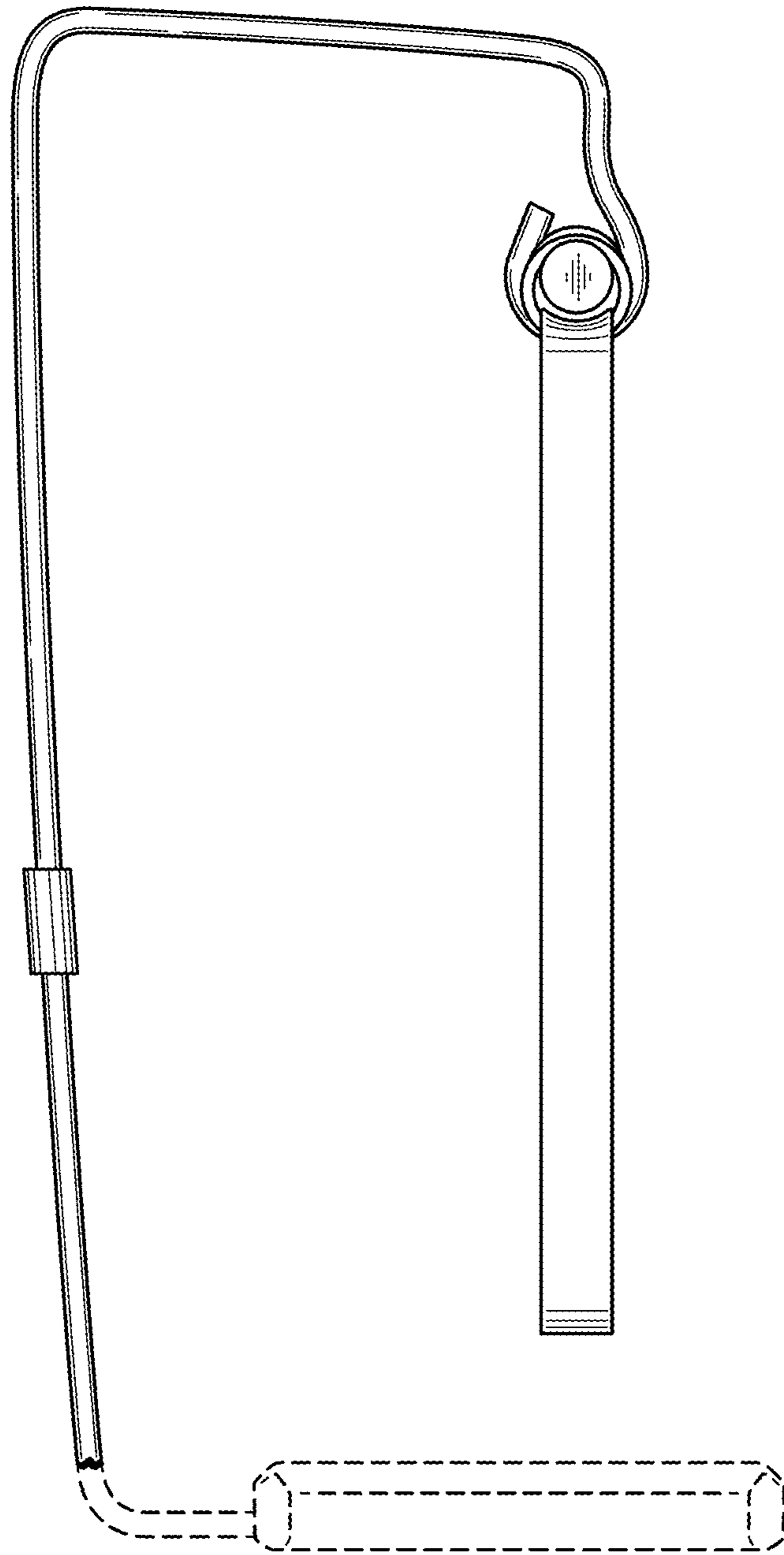
**FIG. 2**



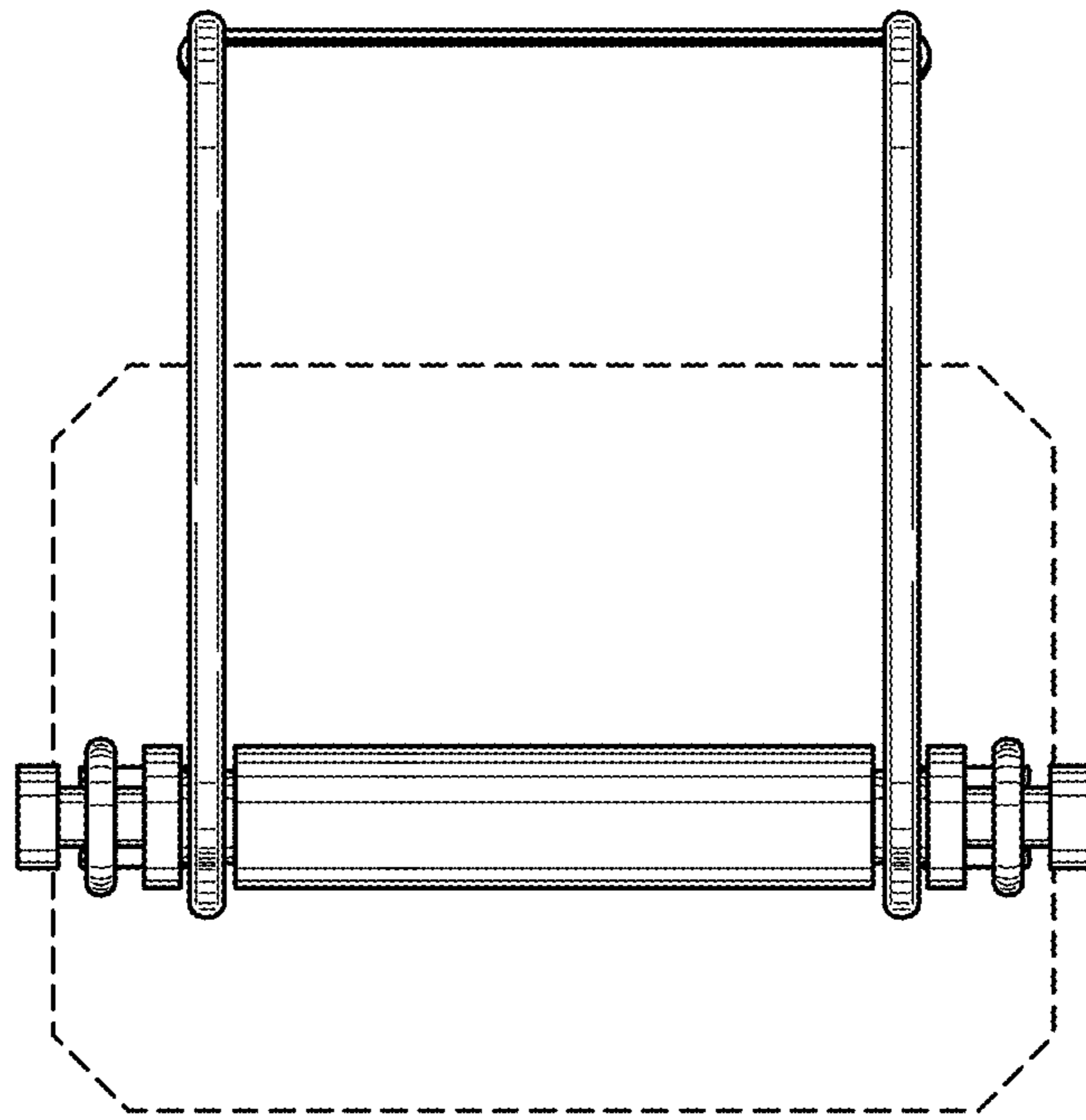
**FIG. 3**



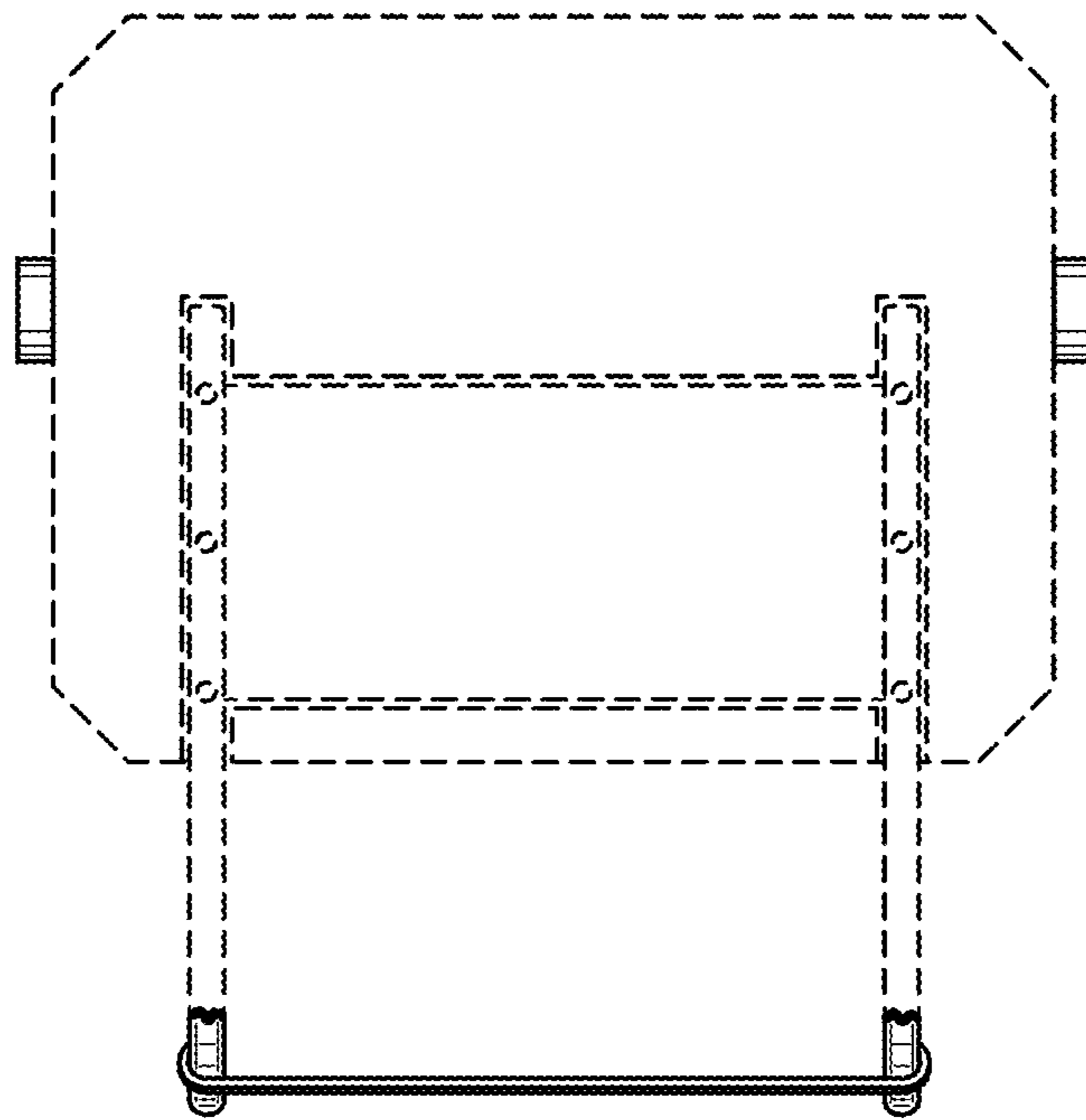
**FIG. 4**



**FIG. 5**



**FIG. 6**



**FIG. 7**