



US00D777149S

(12) **United States Design Patent**  
**Bonahoom et al.**

(10) **Patent No.:** **US D777,149 S**  
(45) **Date of Patent:** **\*\* Jan. 24, 2017**

(54) **EARPHONE LEVERAGE ATTACHMENT**

(71) Applicant: **Apple Inc.**, Cupertino, CA (US)

(72) Inventors: **Rhys Bonahoom**, Burlingame, CA (US); **Robert Brunner**, San Francisco, CA (US); **Seounghyun Son**, San Francisco, CA (US); **Stephen Steger**, San Francisco, CA (US)

(73) Assignee: **APPLE INC.**, Cupertino, CA (US)

(\*\*) Term: **15 Years**

(21) Appl. No.: **29/543,971**

(22) Filed: **Oct. 29, 2015**

**Related U.S. Application Data**

(63) Continuation of application No. 29/504,711, filed on Oct. 8, 2014, now Pat. No. Des. 742,362, which is a continuation of application No. 29/457,923, filed on Jun. 13, 2013, now Pat. No. Des. 716,770.

(51) **LOC (10) Cl.** ..... **14-01**

(52) **U.S. Cl.**  
USPC ..... **D14/223**

(58) **Field of Classification Search**  
USPC D14/223, 205; 181/129, 130, 135; 379/430, 379/431; 381/380, 381, 322, 327, 325, 381/328, 329, 330, 370, 374, 375; 455/90.3, 455/575.1, 575.2  
CPC ..... H04R 1/10; H04R 25/00; H04R 25/02; H04R 1/1016; H04R 1/105; H04R 1/1083  
See application file for complete search history.

(56) **References Cited**

**U.S. PATENT DOCUMENTS**

1,564,474 A \* 12/1925 Fensky ..... A61F 11/008  
181/130  
2,151,706 A \* 3/1939 Lieber ..... H04R 25/606  
181/137

2,468,721 A 4/1949 Volkmann  
3,019,306 A \* 1/1962 Weiss ..... H04R 25/604  
381/322  
3,209,080 A \* 9/1965 Guttner ..... H04R 25/402  
381/323  
3,826,987 A \* 7/1974 Stevens ..... H04B 1/088  
381/380  
D272,904 S \* 3/1984 Kawano ..... D14/205

(Continued)

*Primary Examiner* — Paula Greene

(74) *Attorney, Agent, or Firm* — Sterne, Kessler, Goldstein & Fox P.L.L.C.

(57) **CLAIM**

The ornamental design for an earphone leverage attachment, as shown and described.

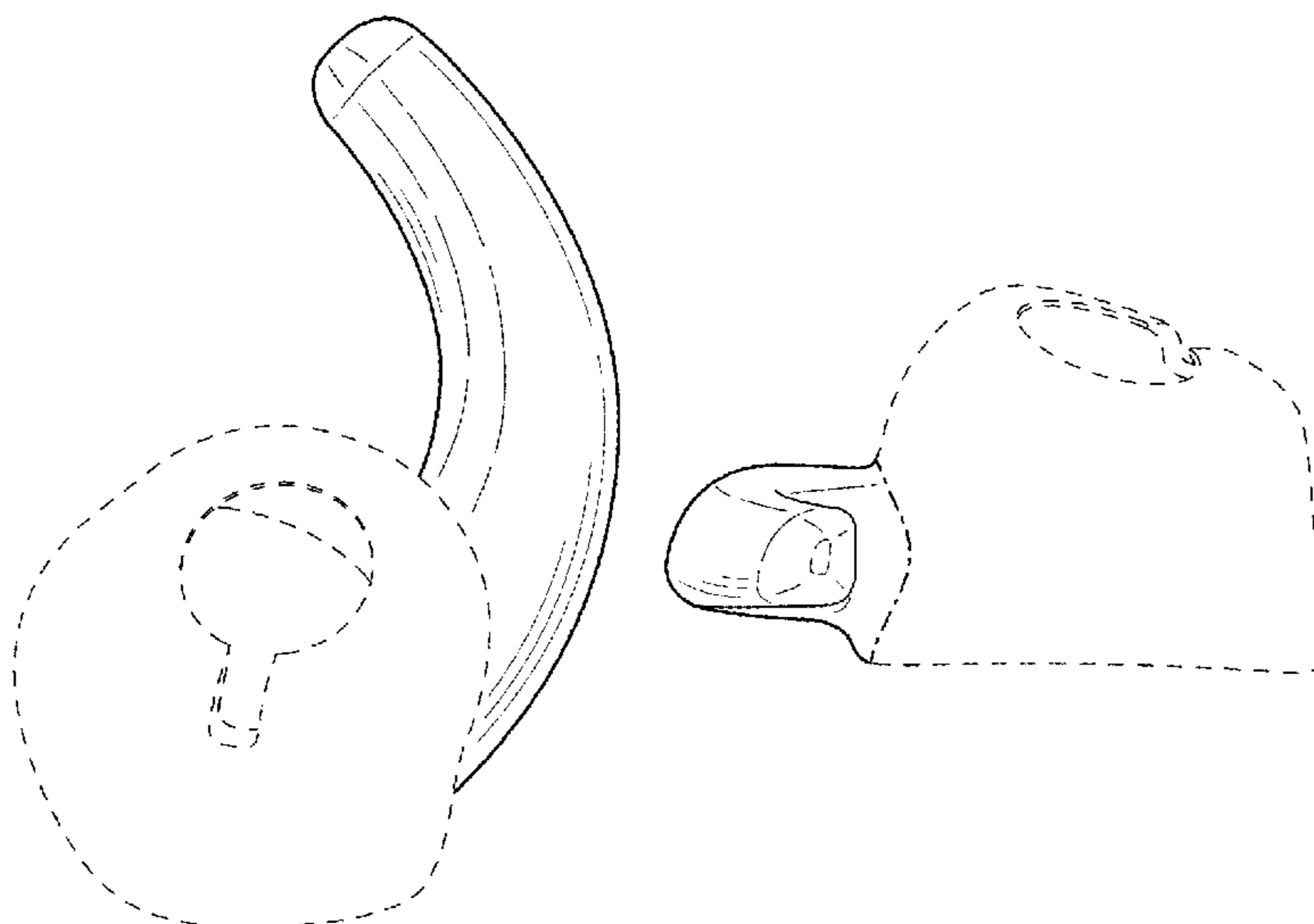
**DESCRIPTION**

FIG. 1 is a front perspective view of an earphone leverage attachment showing our new design;  
FIG. 2 is a rear view thereof;  
FIG. 3 is a top view thereof;  
FIG. 4 is a bottom view thereof;  
FIG. 5 is a side view thereof in an environment in which it may be used;  
FIG. 6 is an opposing side view thereof;  
FIG. 7 is a rear view thereof;  
FIG. 8 is a front perspective view of another earphone leverage attachment showing our new design;  
FIG. 9 is a rear view thereof;  
FIG. 10 is a top view thereof;  
FIG. 11 is a bottom view thereof; and,  
FIG. 12 is a rear view thereof in an environment in which it may be used.

The dashed broken lines in the figures show portions of the earphone leverage attachment or environment that form no part of the claimed design.

The dot-dash broken lines in the figures show boundaries that form no part of the claimed design.

**1 Claim, 12 Drawing Sheets**



(56)

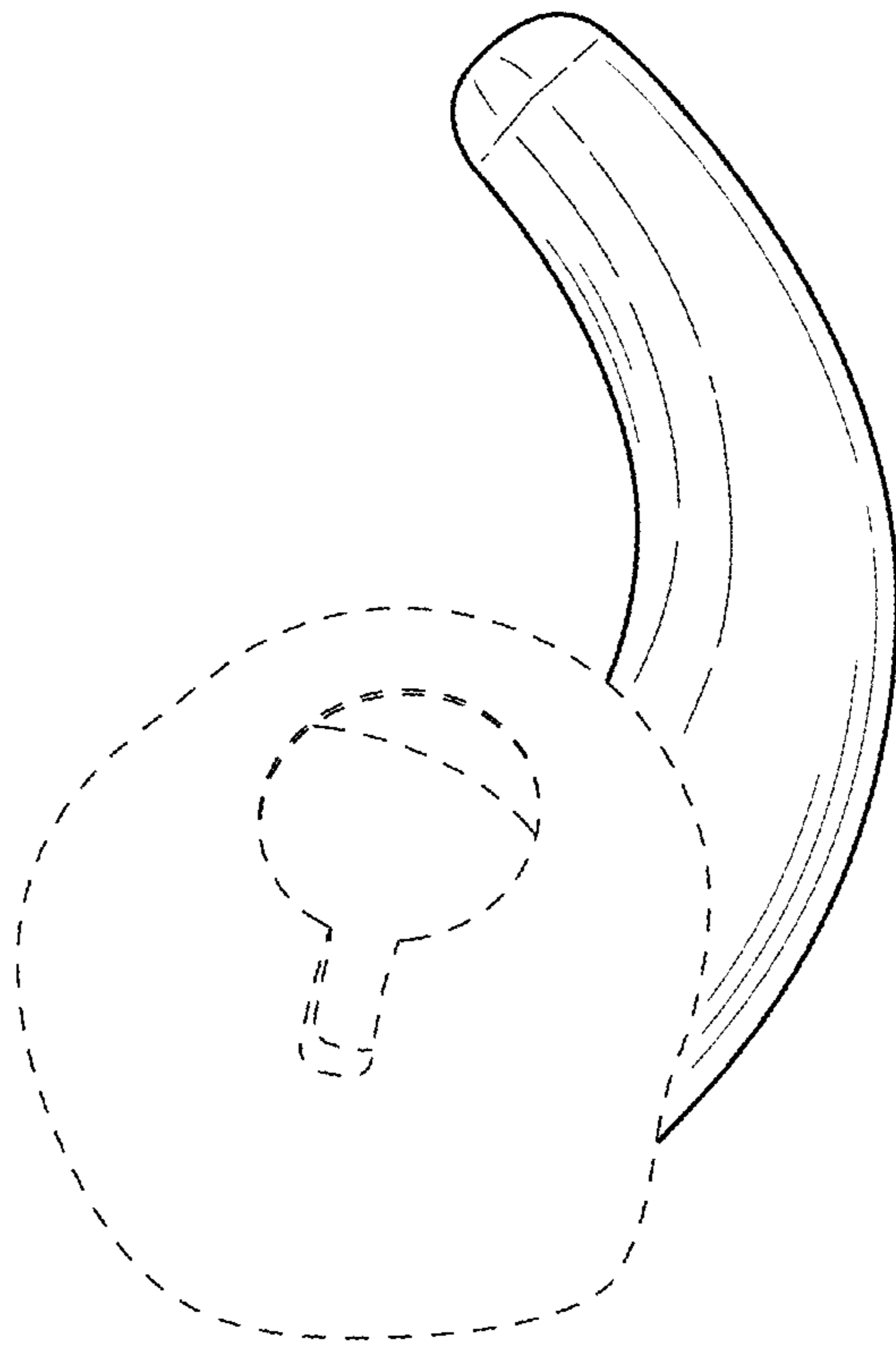
References Cited

U.S. PATENT DOCUMENTS

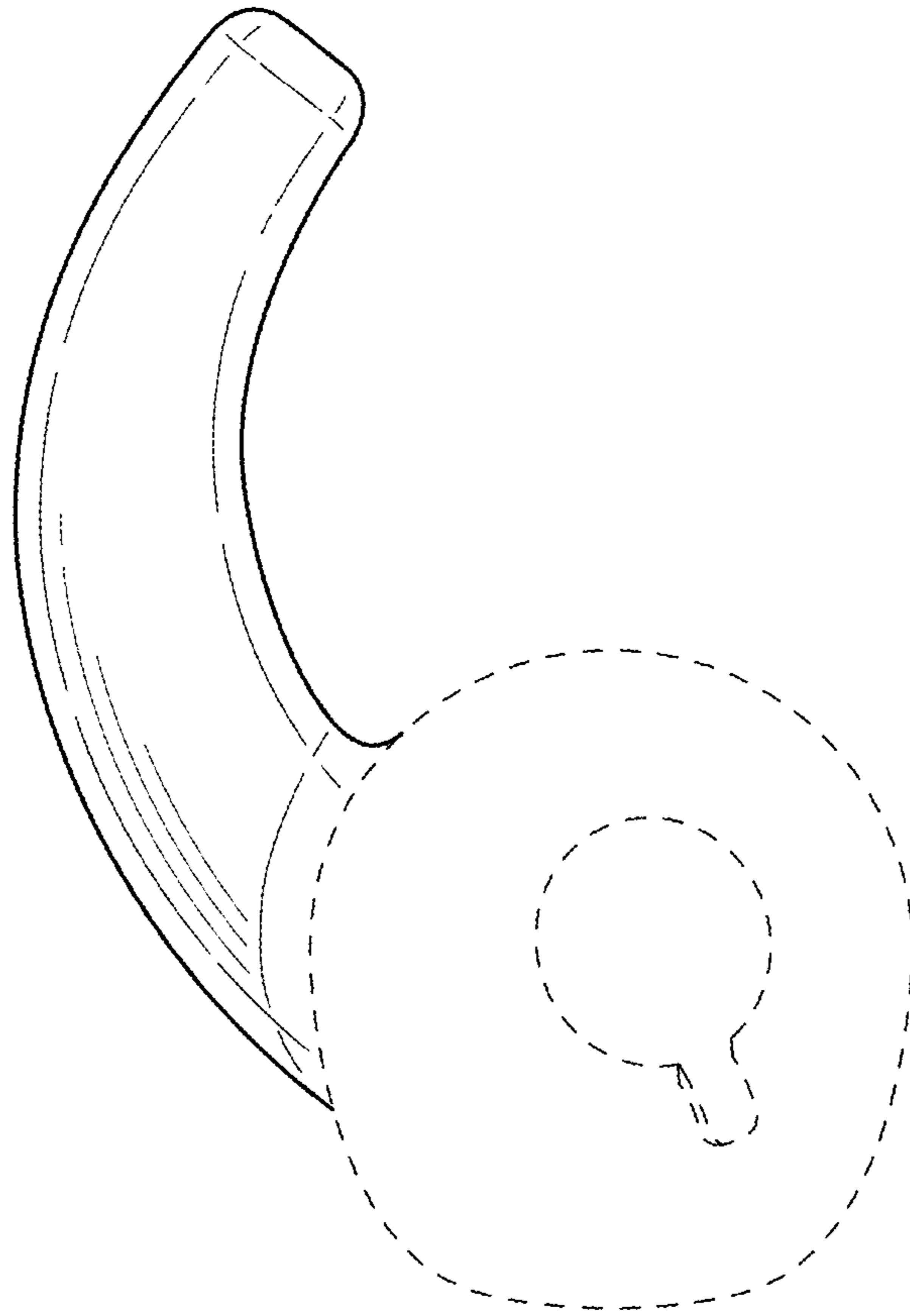
4,453,050 A \* 6/1984 Enokido ..... H04R 1/1066  
 381/330  
 D284,859 S \* 7/1986 Okada ..... D14/192  
 D293,107 S \* 12/1987 Muller ..... D14/197  
 4,791,673 A \* 12/1988 Schreiber ..... H04R 1/1075  
 381/151  
 5,210,792 A \* 5/1993 Kajihara ..... H04M 1/05  
 379/430  
 D357,479 S \* 4/1995 Coomans ..... D14/223  
 D375,313 S \* 11/1996 Jensen ..... D14/206  
 5,655,026 A \* 8/1997 Peters ..... H04R 1/1066  
 381/370  
 D388,093 S 12/1997 Frengley  
 D419,564 S \* 1/2000 McDonald ..... D14/223  
 6,041,128 A \* 3/2000 Narisawa ..... H04R 25/602  
 381/322  
 6,101,260 A \* 8/2000 Jensen ..... H04M 1/05  
 379/430  
 D439,890 S \* 4/2001 Skulley ..... D14/206  
 D460,749 S \* 7/2002 Liu ..... D14/206  
 D463,791 S \* 10/2002 Nagai ..... D14/205  
 D469,755 S 2/2003 Hlas et al.  
 D471,537 S 3/2003 Ham  
 D471,889 S \* 3/2003 Rath ..... D14/205  
 D478,574 S \* 8/2003 Ming ..... D14/223  
 D480,711 S \* 10/2003 Kuan ..... D14/223  
 D487,078 S \* 2/2004 Chen ..... D14/206  
 D494,569 S \* 8/2004 Ma ..... D14/223  
 D494,570 S \* 8/2004 Ma ..... D14/223  
 6,772,853 B2 \* 8/2004 Yang ..... H04R 1/1066  
 181/129  
 D497,613 S \* 10/2004 Gwee ..... D14/205  
 D498,750 S \* 11/2004 Ma ..... D14/223  
 D514,549 S \* 2/2006 Rath ..... D14/223  
 D528,531 S \* 9/2006 Rose ..... D14/138 R  
 D529,901 S 10/2006 Ohta  
 D538,792 S \* 3/2007 Kim ..... D14/223  
 D539,787 S \* 4/2007 Kim ..... D14/223  
 D550,215 S \* 9/2007 Udagawa ..... D14/223  
 D553,613 S \* 10/2007 Sade ..... D14/223  
 D566,103 S \* 4/2008 Sade ..... D14/223

D566,735 S \* 4/2008 Wise ..... D15/141  
 D574,367 S \* 8/2008 Jaakkola ..... D14/205  
 D579,924 S \* 11/2008 Sade ..... D14/223  
 D579,925 S \* 11/2008 Jaakkola ..... D14/205  
 D585,429 S 1/2009 Dean  
 D590,813 S \* 4/2009 Bradford ..... D14/205  
 7,539,525 B2 \* 5/2009 Kim ..... H04M 1/05  
 379/433.13  
 D618,219 S 6/2010 Burgett et al.  
 D621,817 S 8/2010 Brickstad  
 D622,265 S 8/2010 Rye  
 D622,704 S 8/2010 Fahrendorff et al.  
 7,778,410 B2 \* 8/2010 Liu ..... H04M 1/05  
 379/430  
 D628,188 S 11/2010 Koch  
 D628,990 S 12/2010 Pedersen  
 D634,306 S 3/2011 Pedersen  
 7,949,127 B2 5/2011 Pedersen et al.  
 D640,670 S 6/2011 Rye  
 D641,008 S 7/2011 Lee et al.  
 D644,212 S 8/2011 Quek  
 D644,213 S 8/2011 Quek  
 D645,458 S 9/2011 Silvestri et al.  
 D647,514 S 10/2011 Wikel et al.  
 D654,057 S \* 2/2012 Burgett ..... D14/223  
 D655,693 S 3/2012 Silvestri et al.  
 D664,124 S 7/2012 Smith et al.  
 D699,215 S 2/2014 Koch et al.  
 8,737,669 B2 \* 5/2014 Monahan ..... H04R 1/1016  
 381/325  
 D716,770 S \* 11/2014 Bonahoom ..... D14/223  
 D742,362 S \* 11/2015 Bonahoom ..... D14/205  
 D759,633 S \* 6/2016 Gondo ..... D14/223  
 D763,224 S \* 8/2016 Silvestri ..... D14/205  
 2002/0172386 A1 \* 11/2002 Bayer ..... H04R 25/652  
 381/330  
 2006/0291686 A1 \* 12/2006 Hlas ..... H04R 1/086  
 381/381  
 2009/0180654 A1 \* 7/2009 Nielsen ..... H04R 25/656  
 381/328  
 2011/0123059 A1 5/2011 Hu  
 2011/0255729 A1 10/2011 Tan et al.

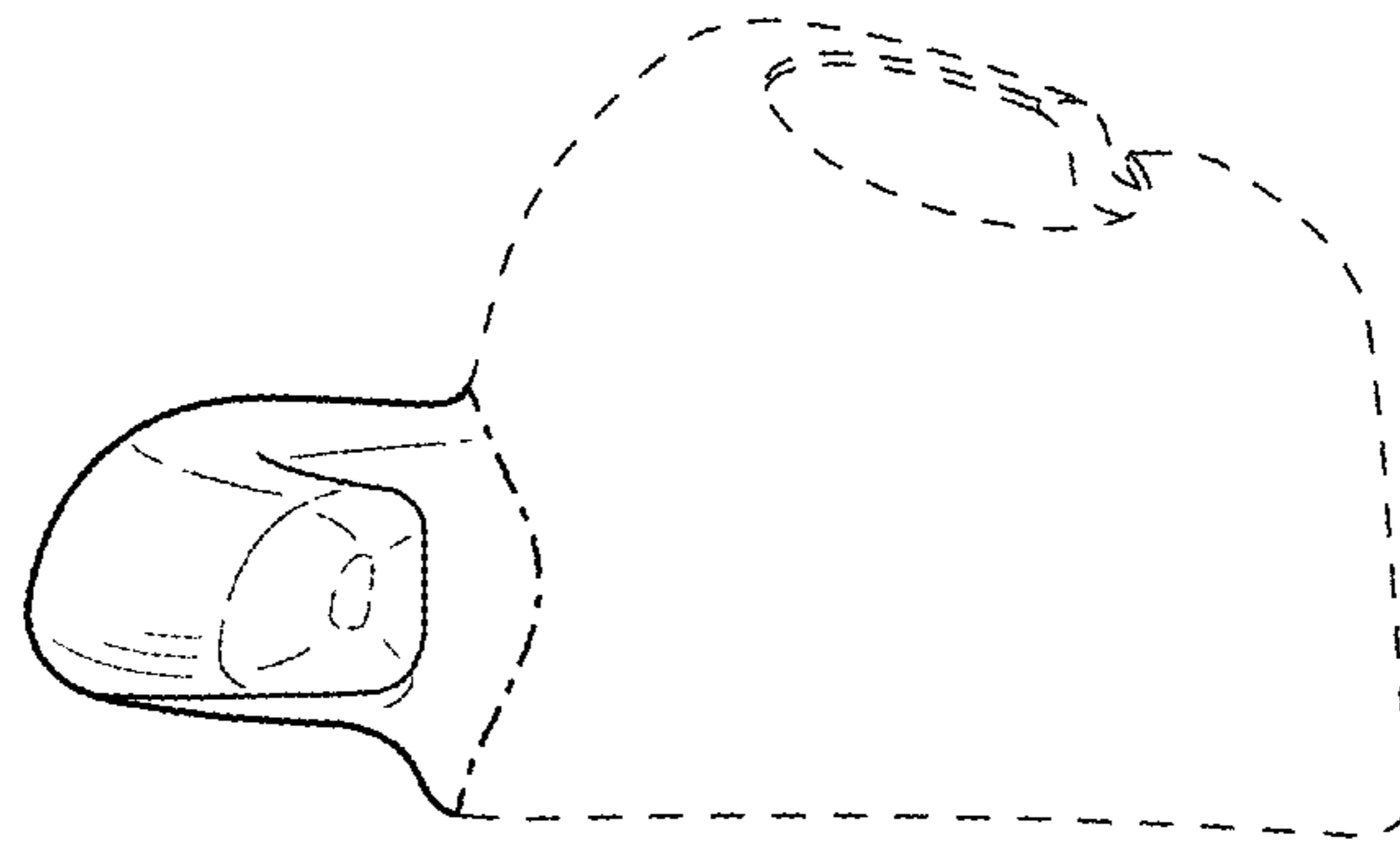
\* cited by examiner



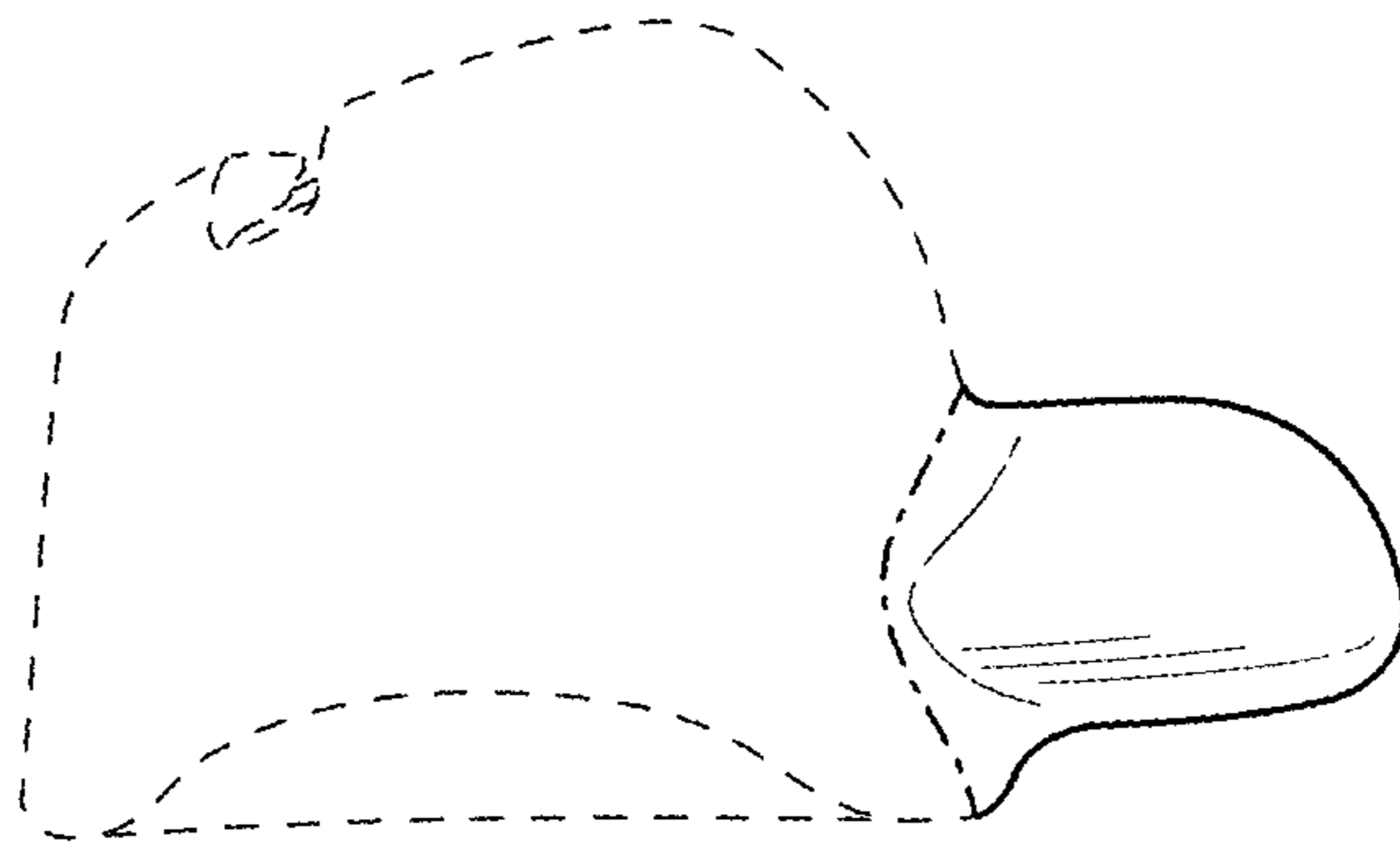
**FIG. 1**



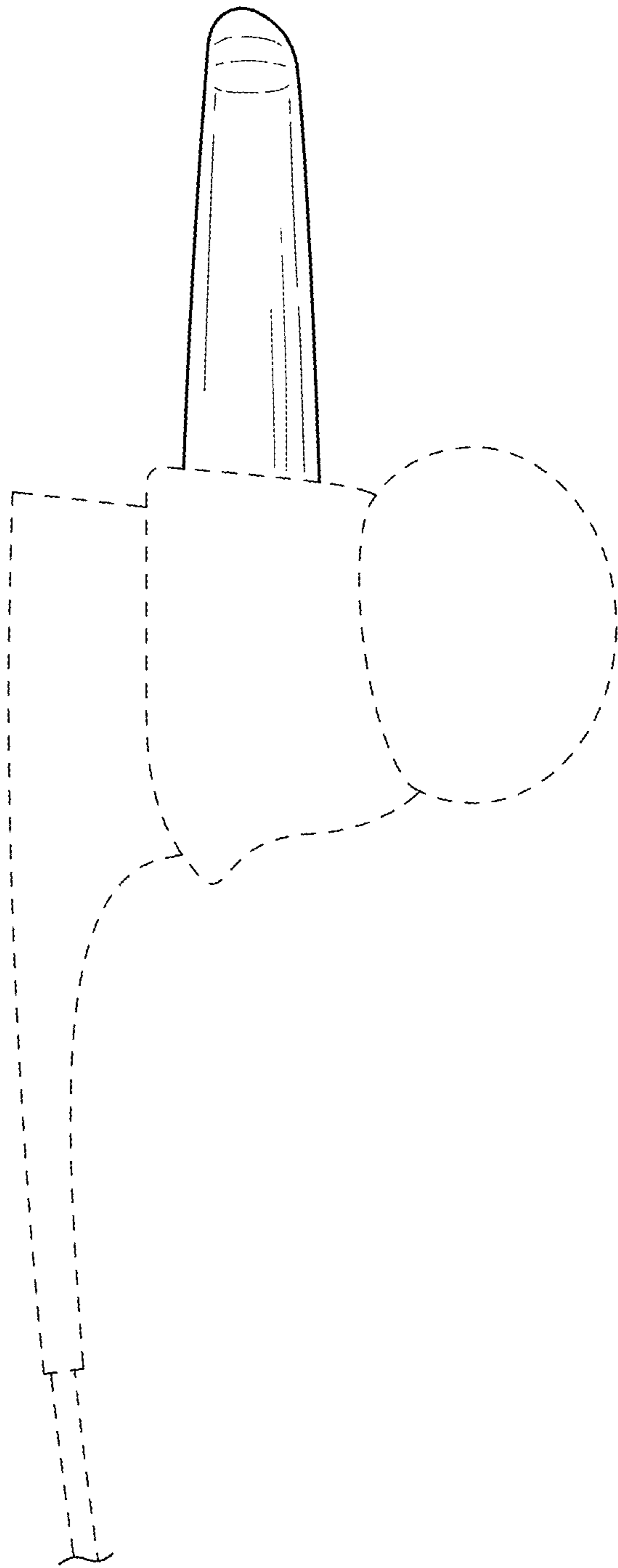
**FIG. 2**



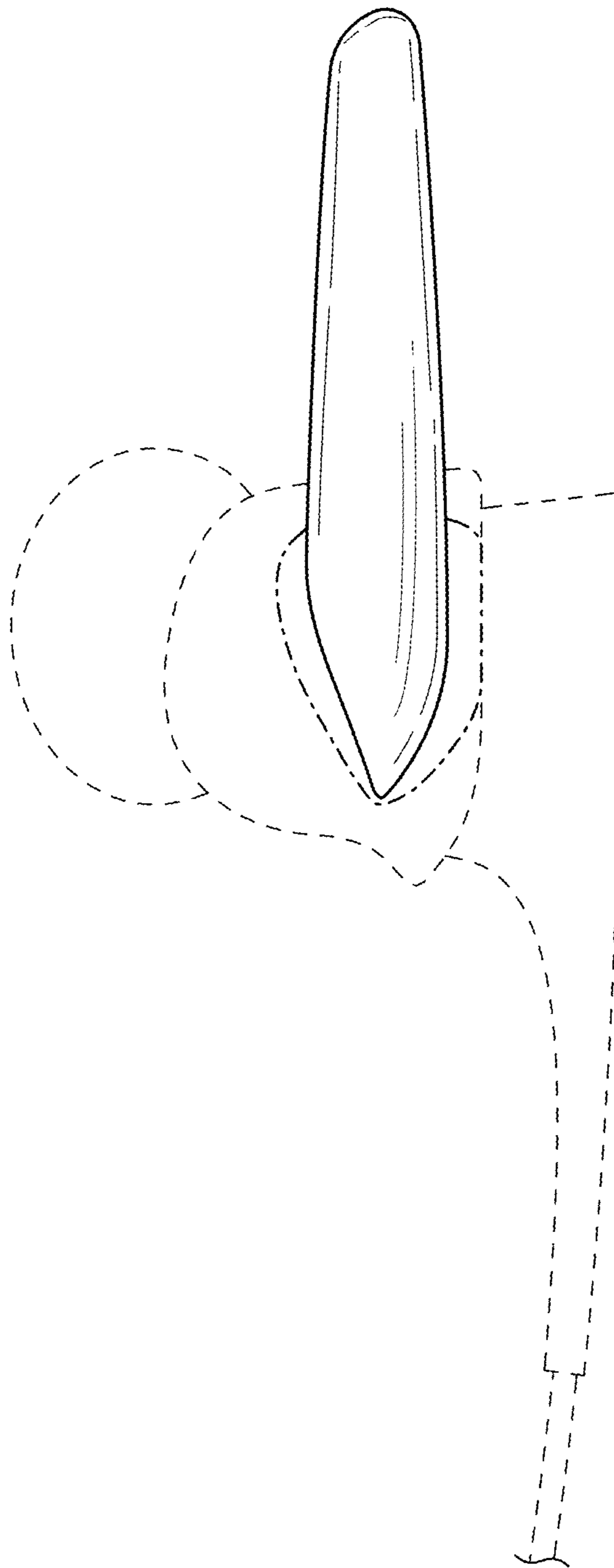
**FIG. 3**



**FIG. 4**

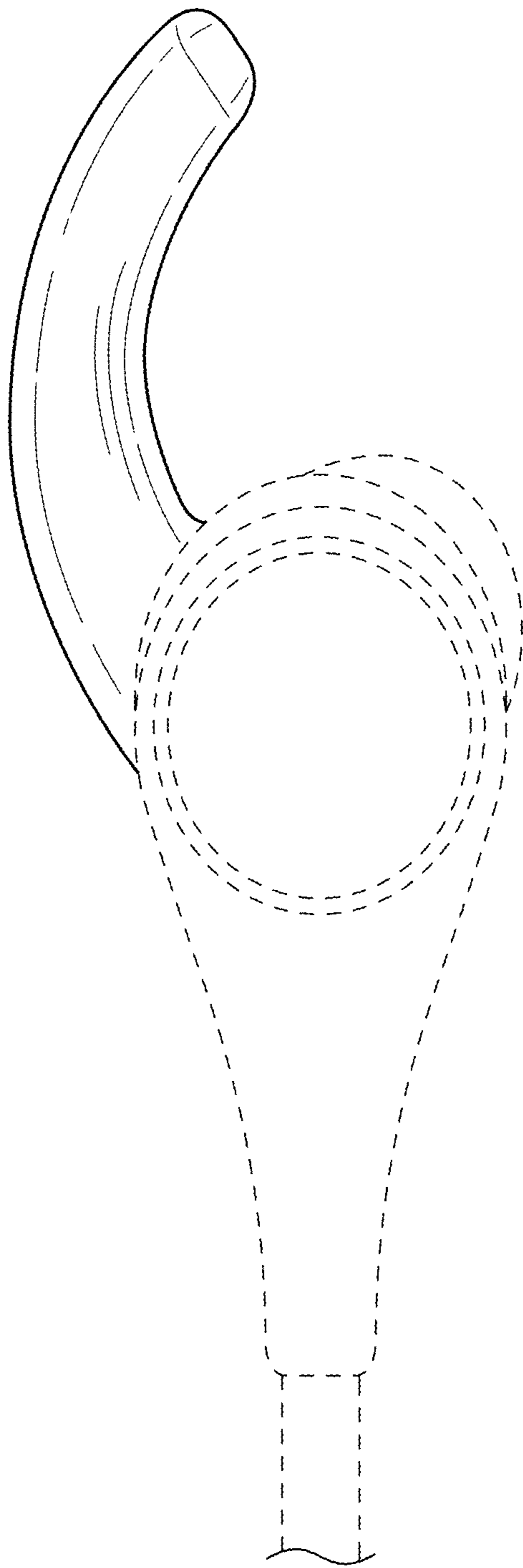


**FIG. 5**

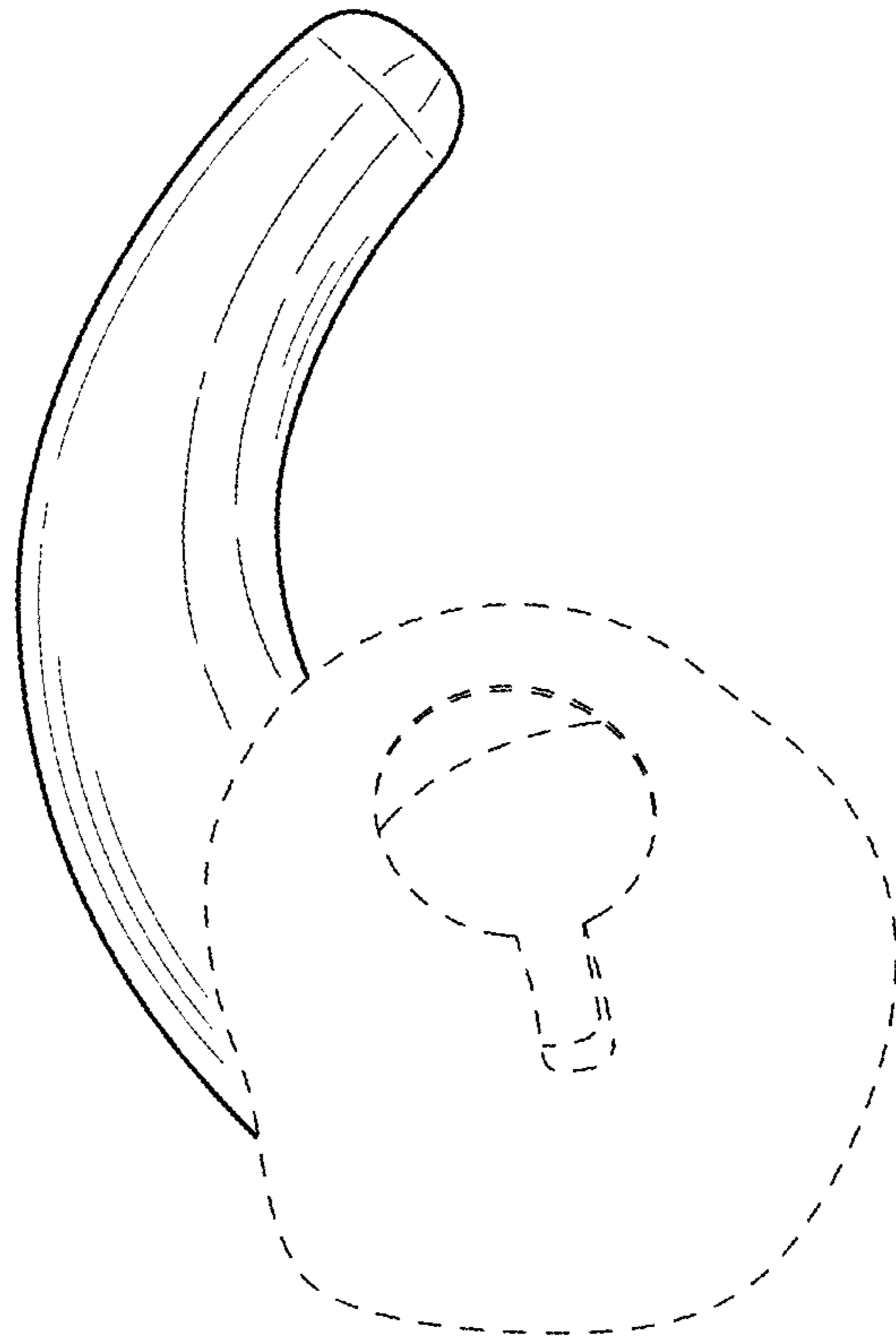


**FIG. 6**

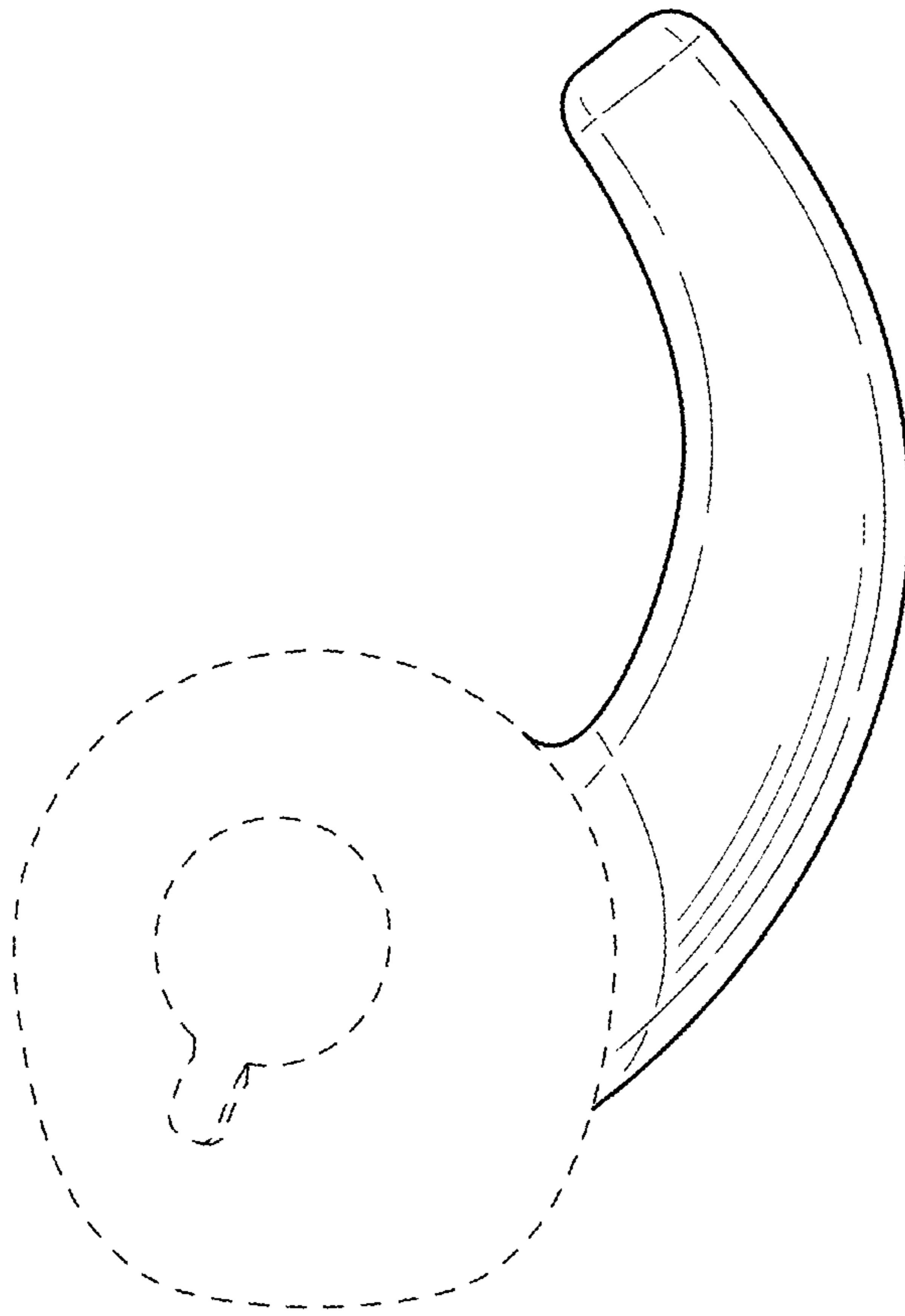




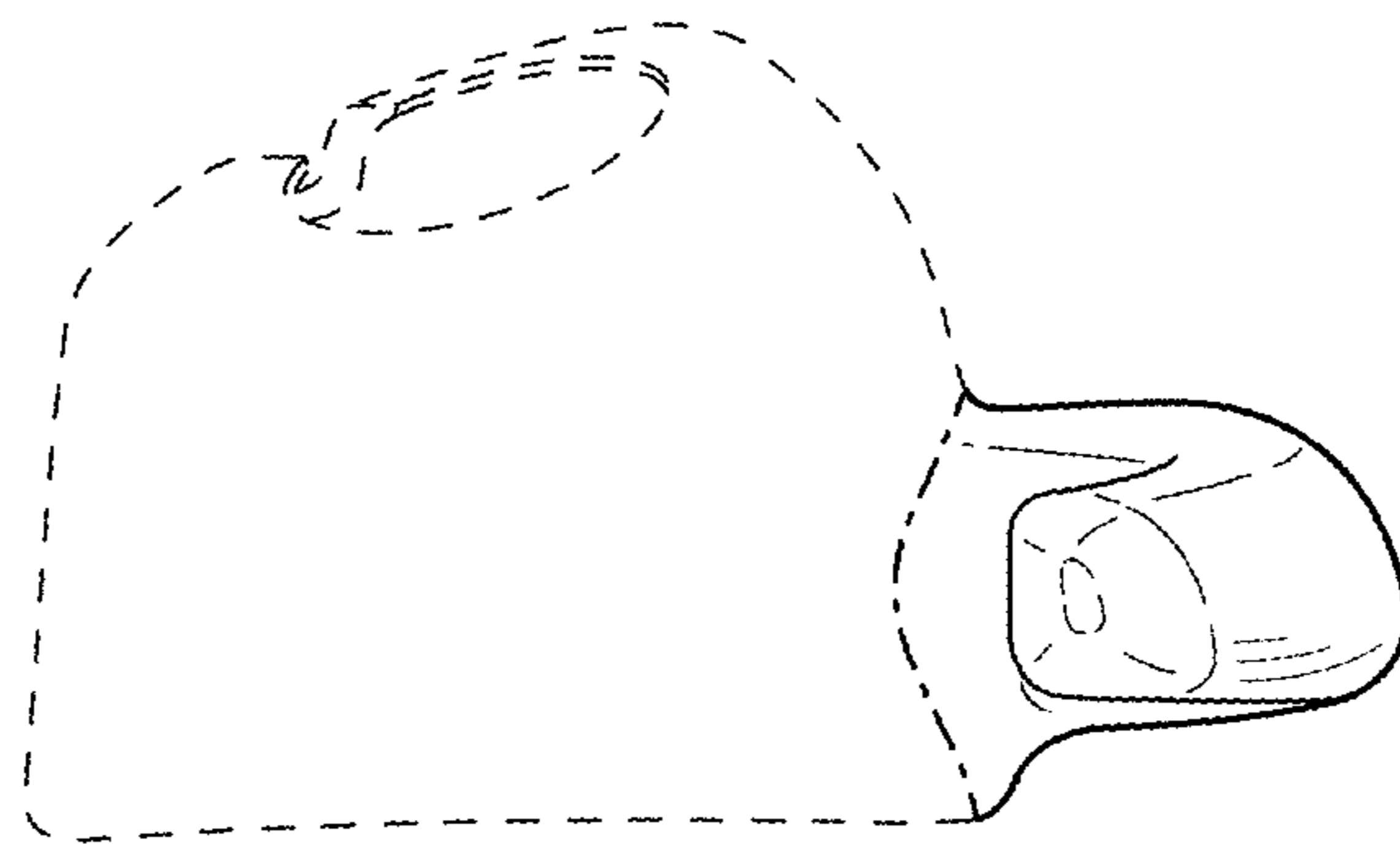
**FIG. 7**



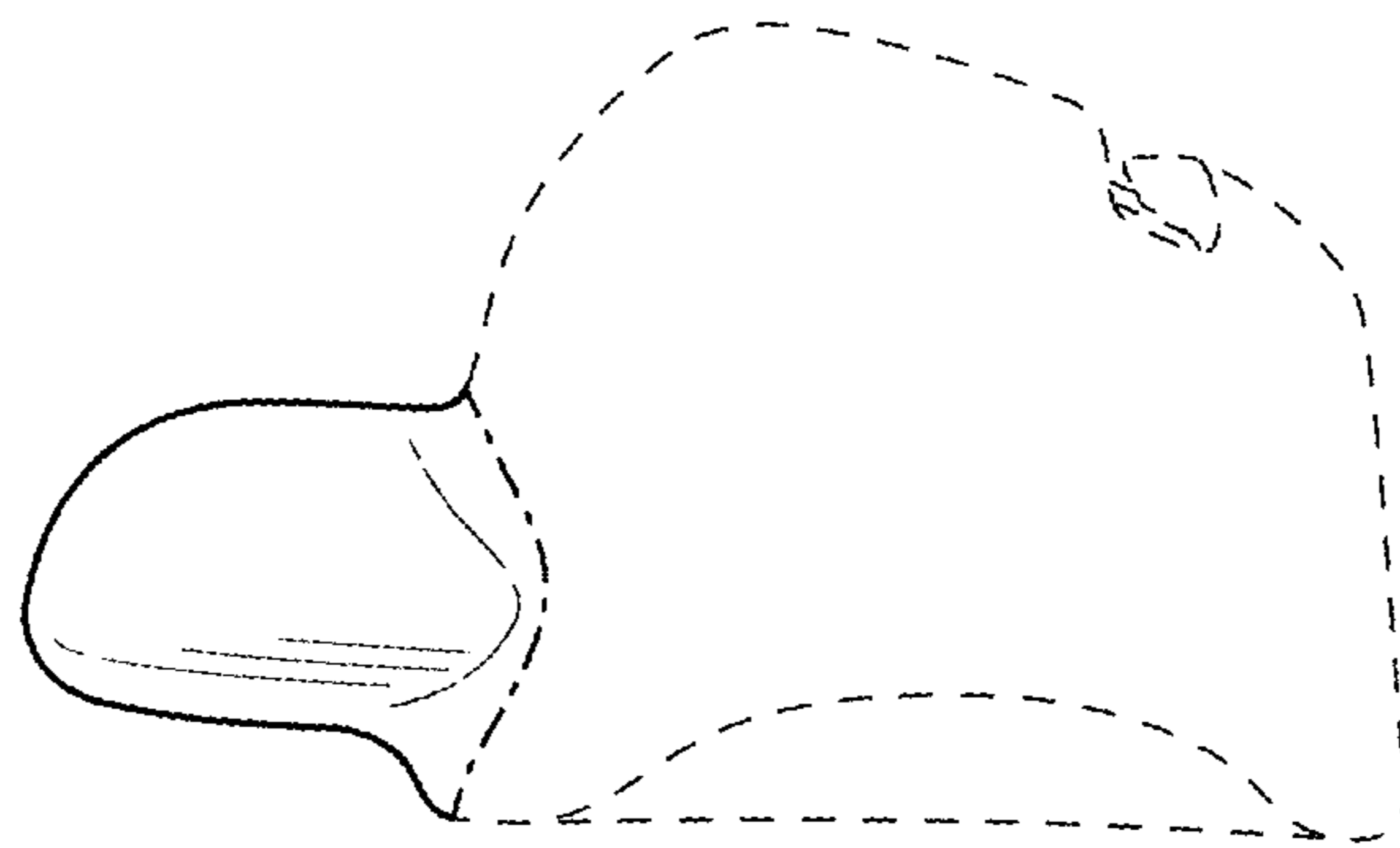
**FIG. 8**



**FIG. 9**



**FIG. 10**



**FIG. 11**

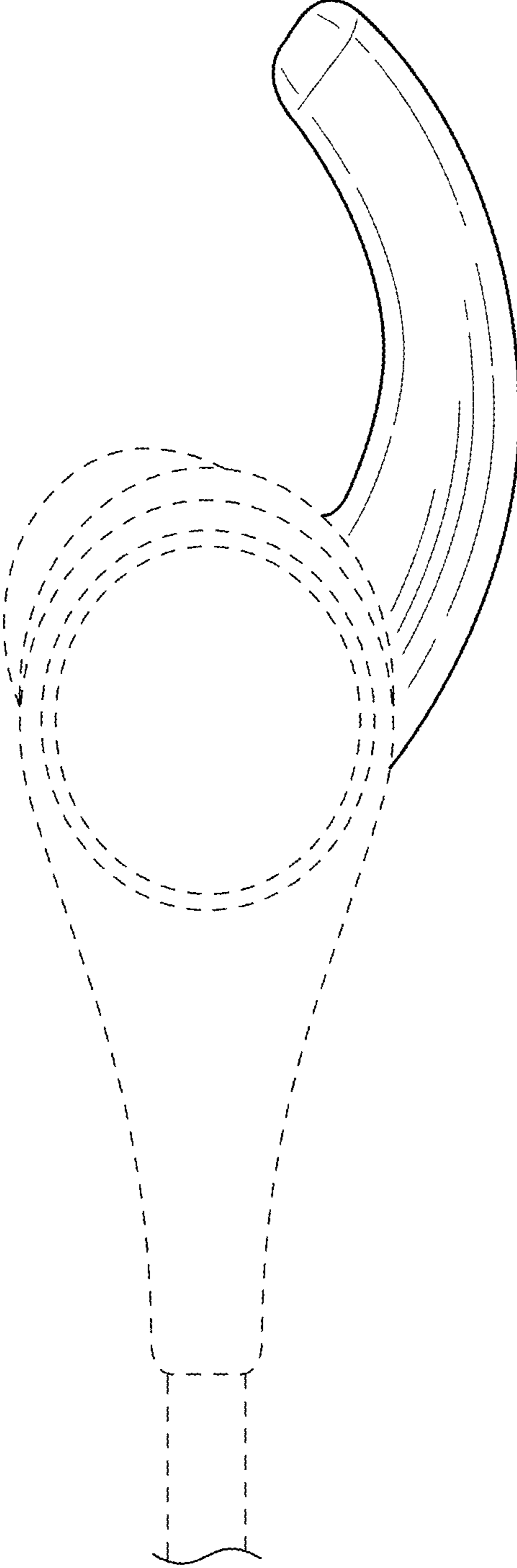


FIG. 12