



US00D777148S

(12) **United States Design Patent** (10) **Patent No.:** **US D777,148 S**  
**Samrelius** (45) **Date of Patent:** **\*\* Jan. 24, 2017**

(54) **EARPHONE**

(71) Applicant: **GN Netcom A/S**, Ballerup (DK)

(72) Inventor: **Jonas Samrelius**, Stockholm (SE)

(73) Assignee: **GN Netcom A/S** (DK)

(\*\*) Term: **15 Years**

(21) Appl. No.: **29/538,436**

(22) Filed: **Sep. 3, 2015**

**Related U.S. Application Data**

(62) Division of application No. 29/490,071, filed on May 6, 2014, now Pat. No. Des. 740,255.

(30) **Foreign Application Priority Data**

Nov. 13, 2013 (EM) ..... 002344499-0001  
Nov. 13, 2013 (EM) ..... 002344499-0002  
Nov. 13, 2013 (EM) ..... 002344499-0003  
Nov. 13, 2013 (EM) ..... 002344499-0004  
Nov. 13, 2013 (EM) ..... 002344499-0005

(51) **LOC (10) Cl.** ..... **14-01**

(52) **U.S. Cl.**  
USPC ..... **D14/223**

(58) **Field of Classification Search**  
USPC ..... D14/223, 205, 217, 218; D13/168;  
128/864, 866; D24/106; 379/430, 431;  
381/322, 328, 330, 361, 355, 382, 380,  
381/381; 181/129, 130, 135; 455/90.3,  
455/575.1  
CPC ..... H04R 1/1016; H04R 1/10; H04R 1/1066;  
H04R 25/00

See application file for complete search history.

(56) **References Cited**

U.S. PATENT DOCUMENTS

2,248,837	A	7/1941	Walters	
2,474,135	A	6/1949	White	
2,474,386	A *	6/1949	Volkman	A42B 3/166
				379/430
D238,098	S *	12/1975	Fink	D14/192
D344,949	S *	3/1994	So	D14/192
5,613,222	A	3/1997	Guenther	
5,748,743	A	5/1998	Weeks	
5,787,166	A	7/1998	Ullman	
6,122,388	A	9/2000	Feldman	
D449,330	S *	10/2001	Suzuki	D16/219
6,359,995	B1	3/2002	Ou	
D455,130	S *	4/2002	Skaff	D14/126
D461,791	S	8/2002	Ma	
D462,943	S	9/2002	Lucaci et al.	
D462,945	S *	9/2002	Skulley	D14/218
D469,755	S	2/2003	Hlas et al.	
D470,122	S	2/2003	Hlas et al.	
D470,123	S	2/2003	Hlas et al.	
D470,129	S	2/2003	Hlas et al.	

(Continued)

*Primary Examiner* — Paula Greene

(74) *Attorney, Agent, or Firm* — Altera Law Group, LLC

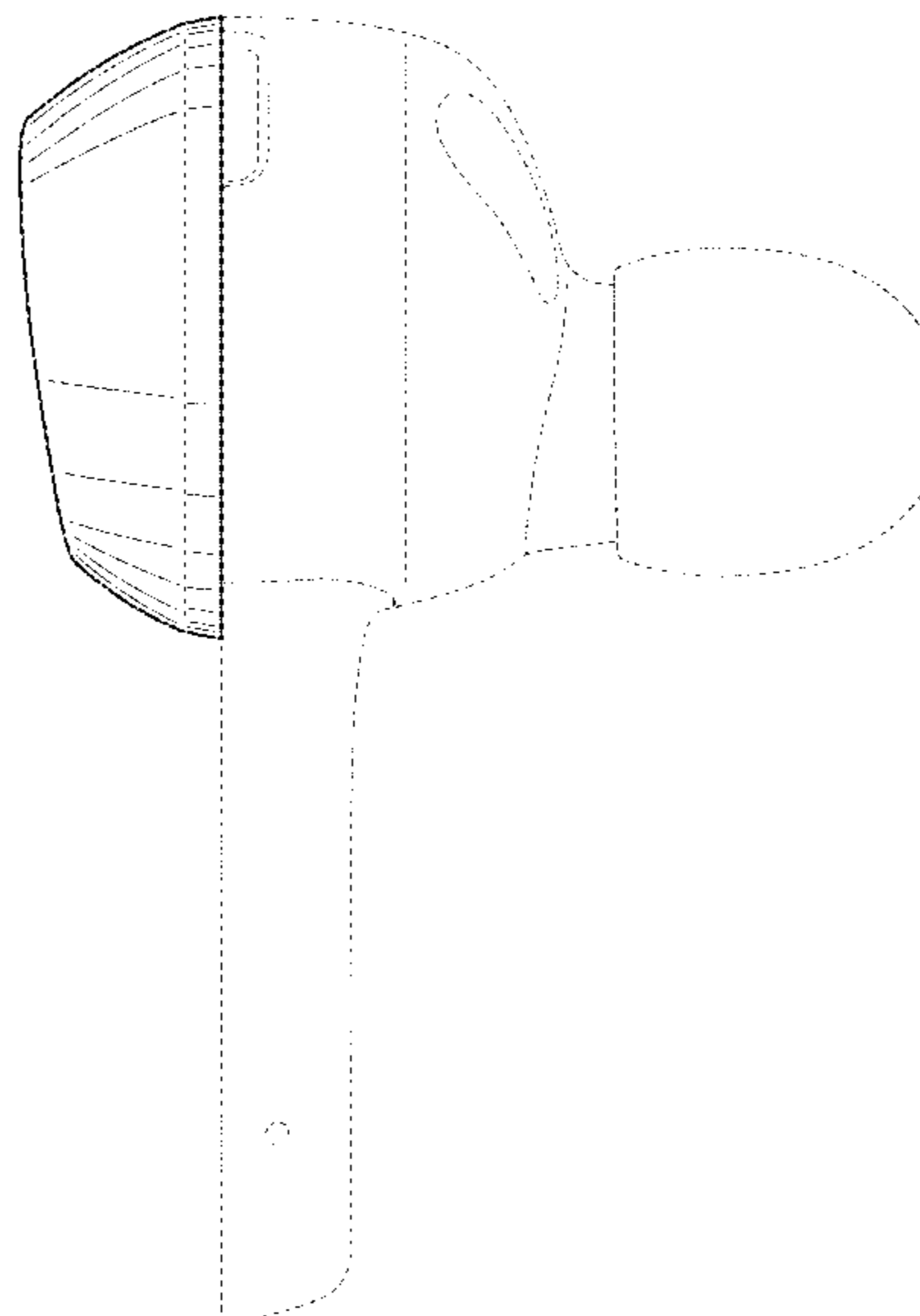
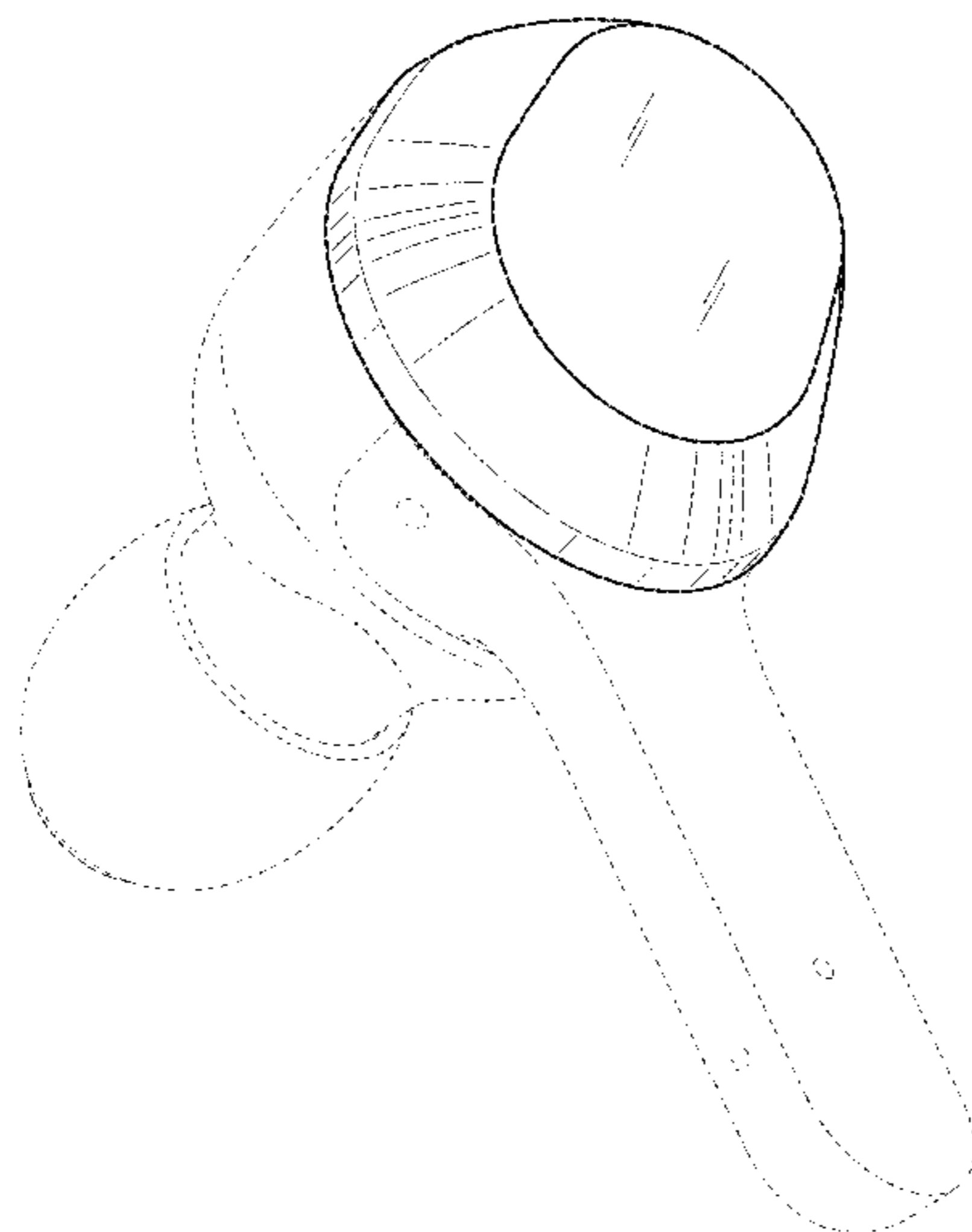
(57) **CLAIM**

The ornamental design for an earphone, as shown and described.

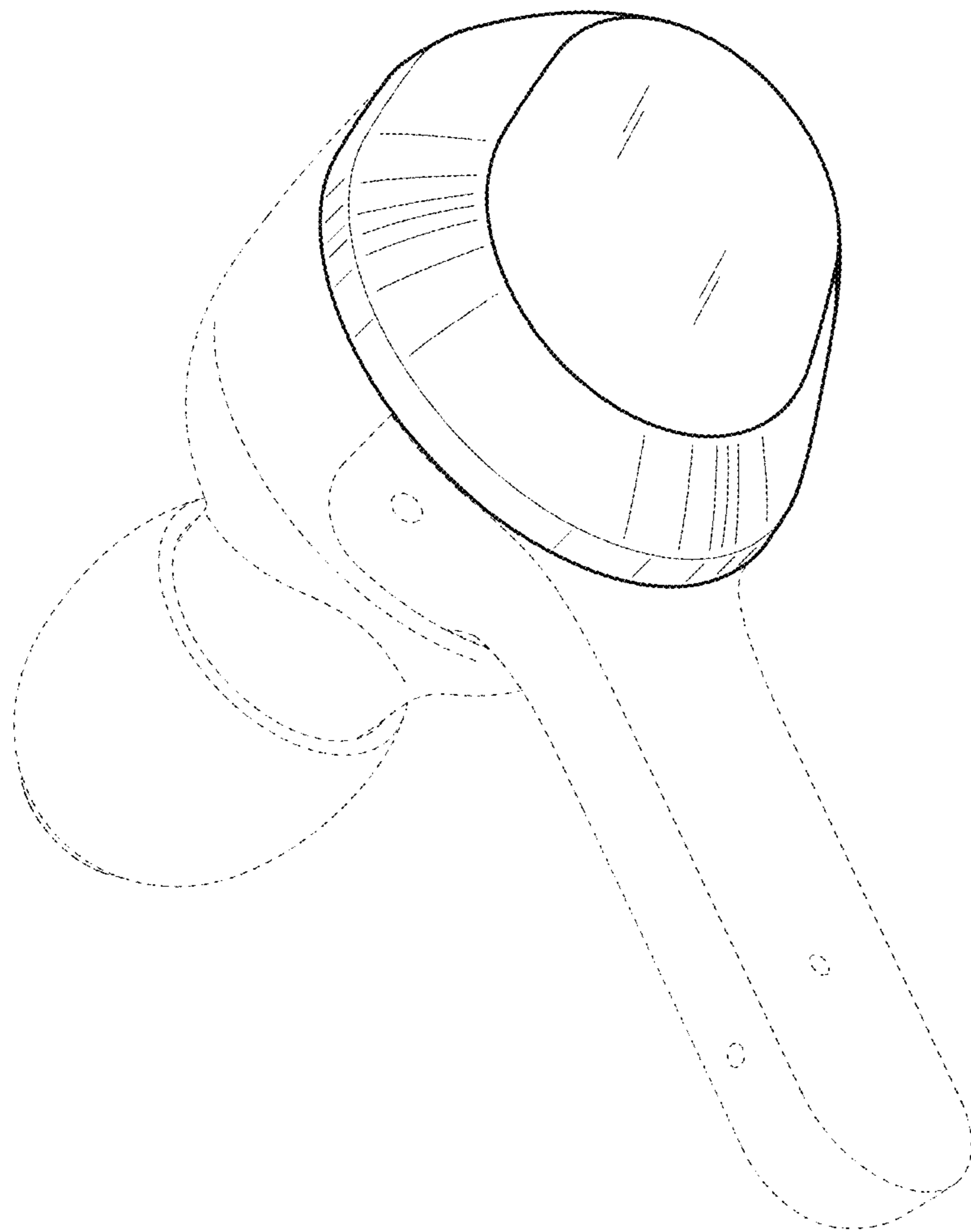
**DESCRIPTION**

FIG. 1 is a rear perspective view of an earphone showing my new design;  
FIG. 2 is a front elevational view thereof.  
FIG. 3 is a back elevation view thereof.  
FIG. 4 is a left side elevational view thereof.  
FIG. 5 is a right side elevational view thereof.  
FIG. 6 is a top end elevational view thereof; and,  
FIG. 7 is a bottom end elevational view thereof.  
Portions shown in broken lines are for environmental purposes but do constitute a part of the claimed invention.

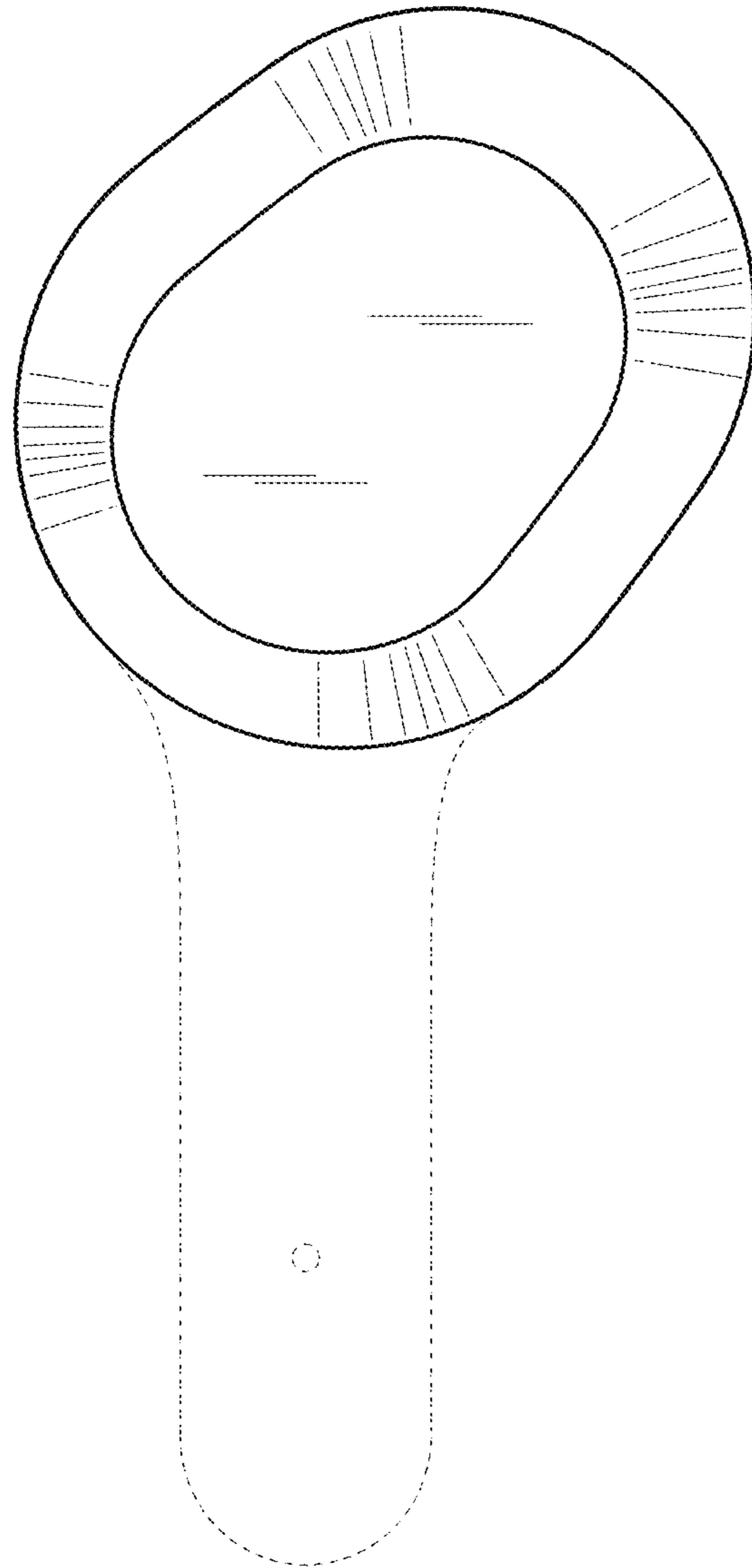
**1 Claim, 6 Drawing Sheets**



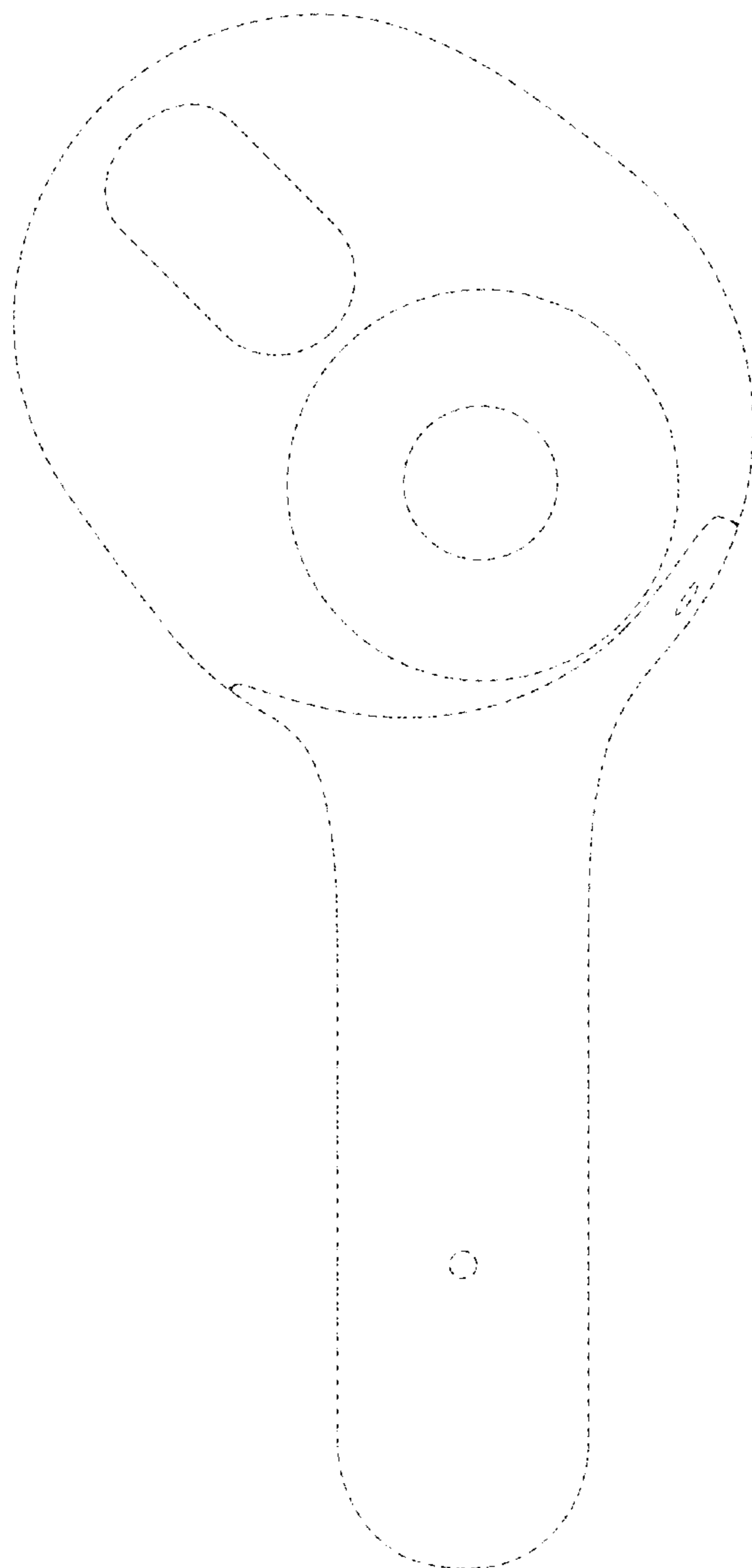




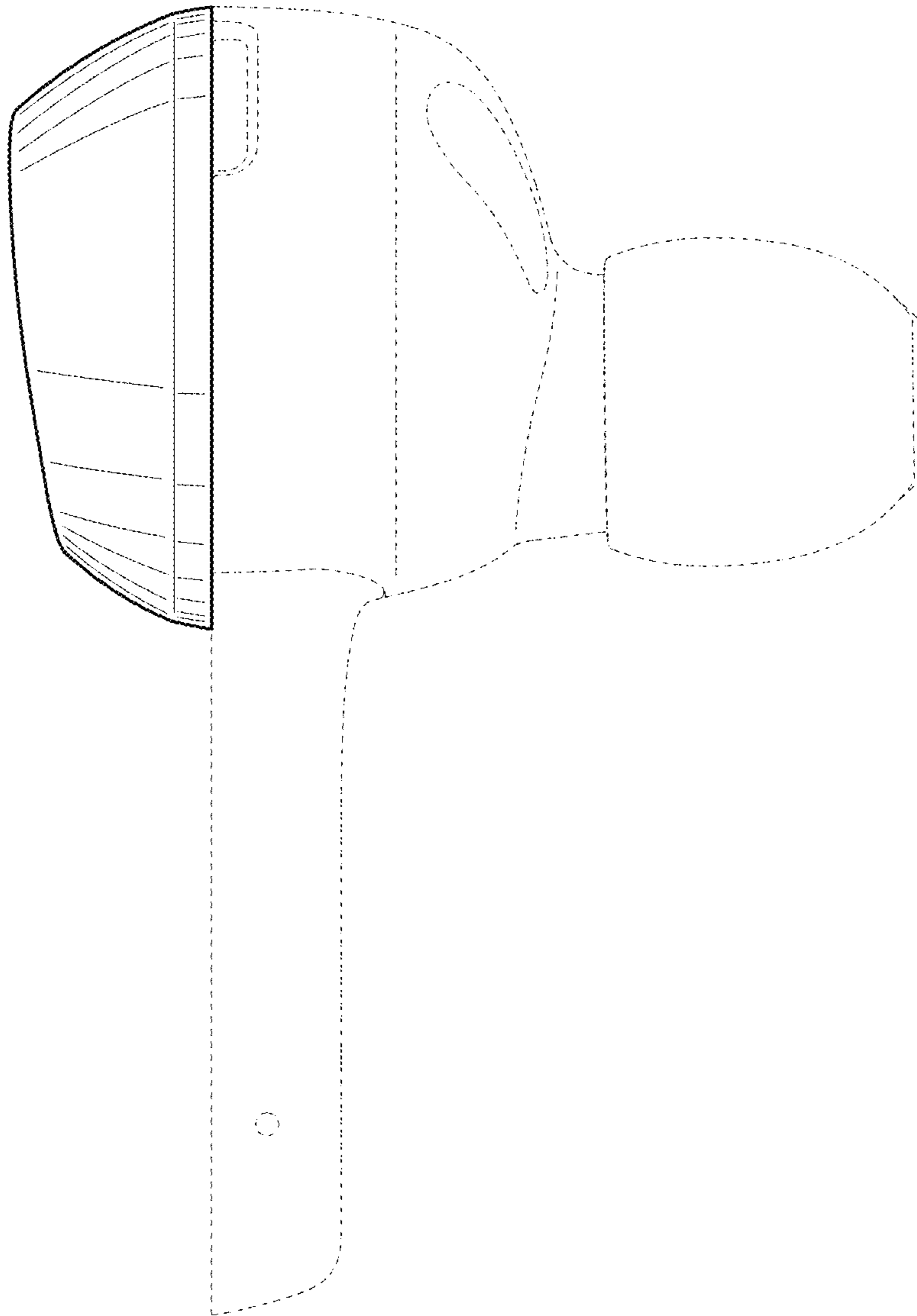
**Fig. 1**



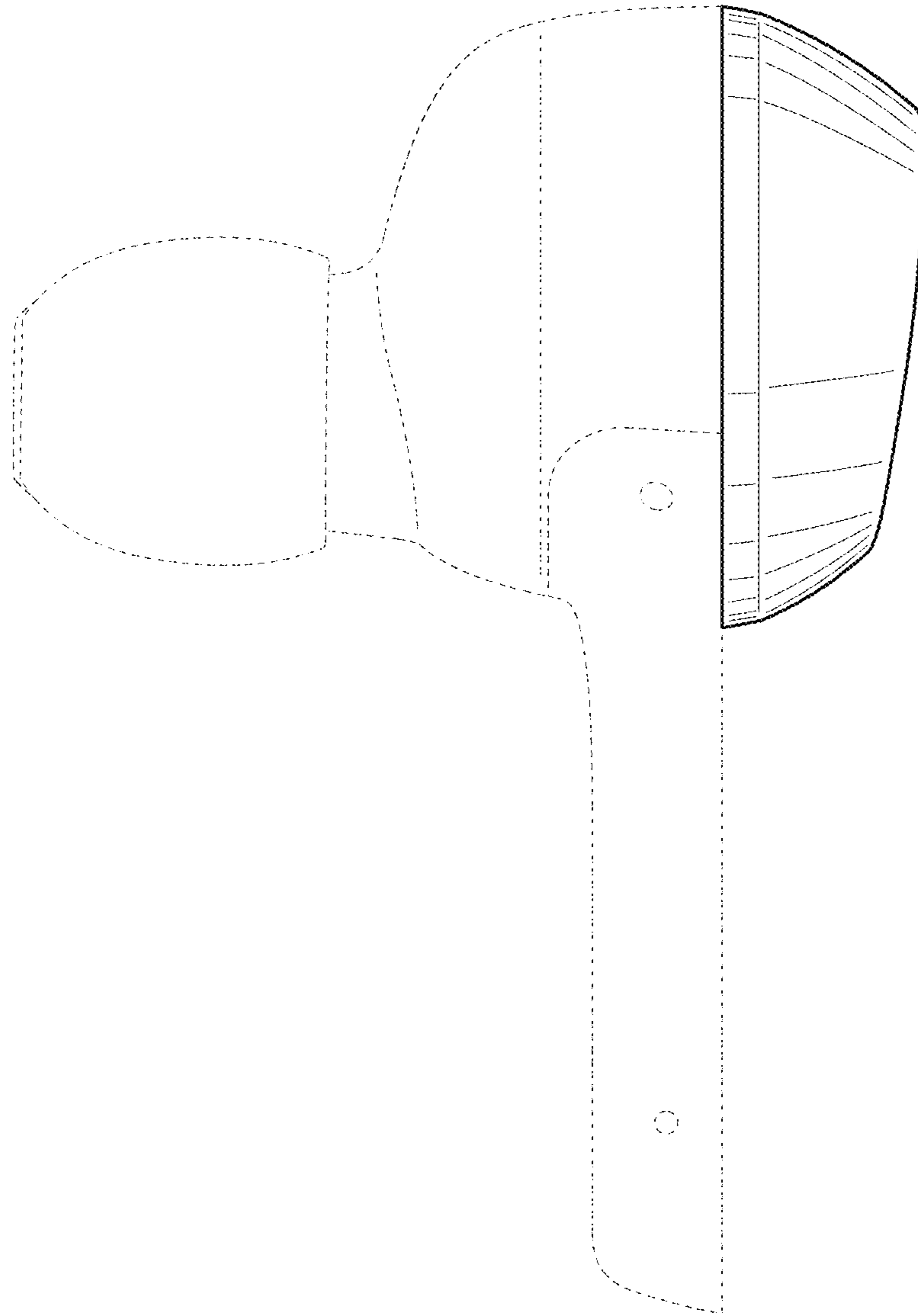
**Fig. 2**



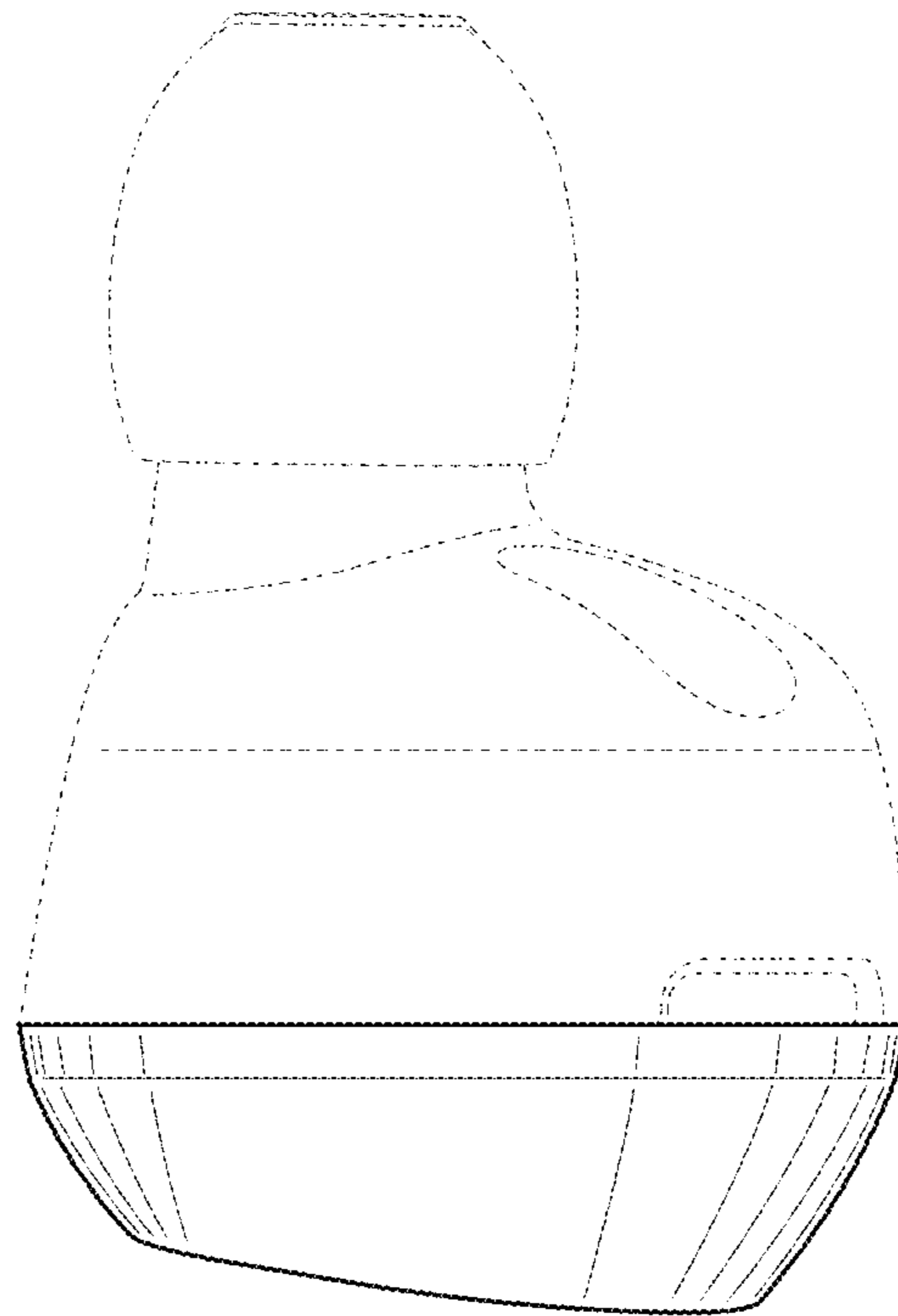
**Fig. 3**



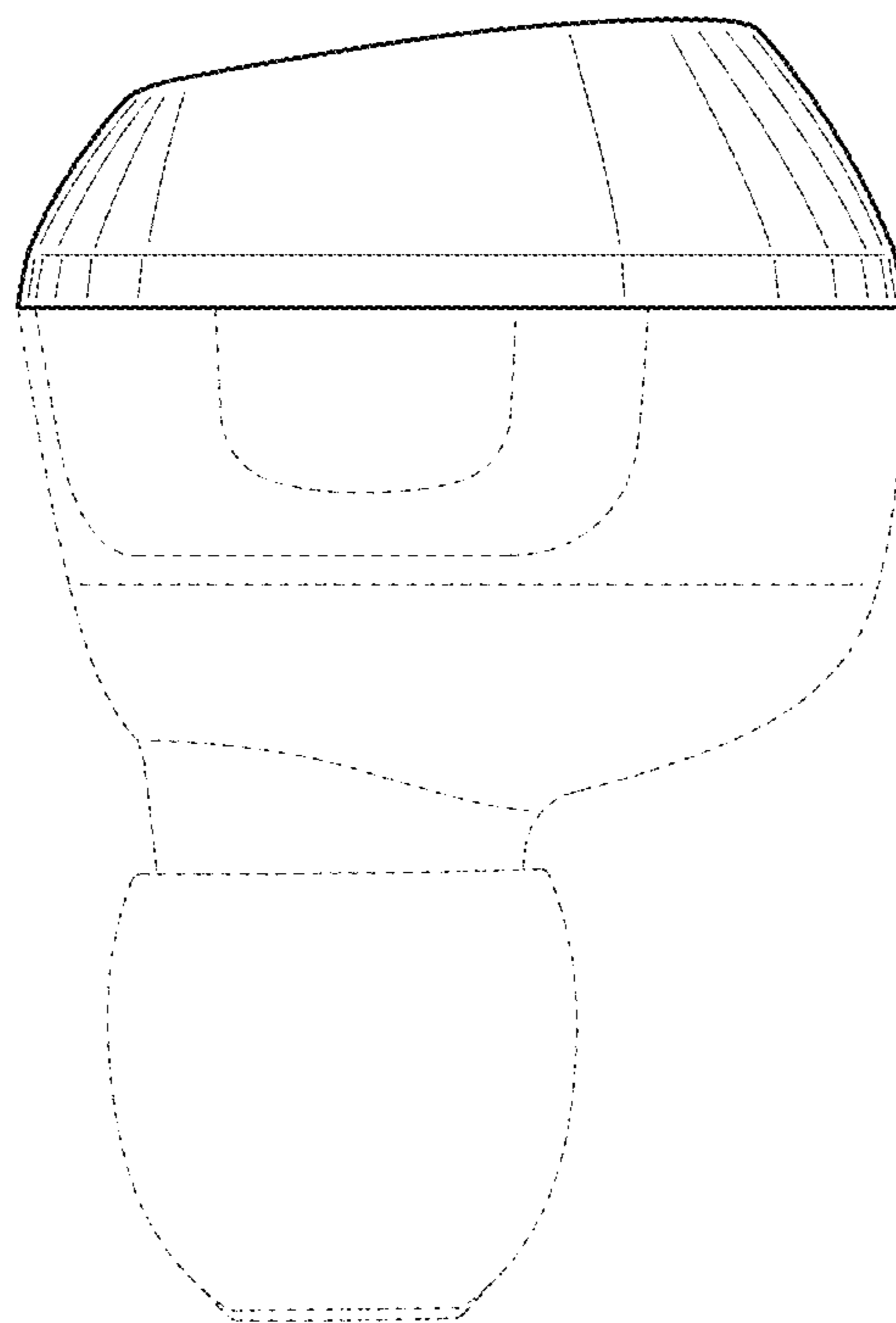
**Fig. 4**



**Fig. 5**



**Fig. 6**



**Fig. 7**