



US00D777147S

(12) **United States Design Patent**
Cheng et al.

(10) **Patent No.:** **US D777,147 S**
(45) **Date of Patent:** **** Jan. 24, 2017**

(54) **JACKET FOR A PORTABLE SPEAKER**

FOREIGN PATENT DOCUMENTS

(71) Applicant: **Fugoo Corporation**, Irvine, CA (US)

JP 2008-028686 2/2008
JP 1408180 S 1/2011

(72) Inventors: **Howard Shi-How Cheng**, Irvine, CA (US); **Alejandro Garfio**, West Covina, CA (US); **Ho Koon Yau**, Yorba Linda, CA (US); **Kit Mok**, Lakewood, CA (US)

(Continued)

(73) Assignee: **FUGOO CORPORATION**, Irvine, CA (US)

OTHER PUBLICATIONS

Libratone Live Wireless Airplay Speakers, <https://shop.libratone.com/en-us/wireless-airplay-speakers/libratone-live/c-54/c-288/p-207/>, retrieved on Jan. 6, 2014.

(Continued)

(**) Term: **15 Years**

Primary Examiner — Prabhakar Deshmukh

(21) Appl. No.: **29/536,255**

(74) *Attorney, Agent, or Firm* — Knobbe, Martens, Olson & Bear LLP

(22) Filed: **Aug. 14, 2015**

(57) **CLAIM**

The ornamental design for a jacket for a portable speaker, as shown and described.

Related U.S. Application Data

DESCRIPTION

(62) Division of application No. 29/476,076, filed on Dec. 10, 2013, now Pat. No. Des. 736,746.

(51) **LOC (10) Cl.** **14-01**

(52) **U.S. Cl.**
USPC **D14/221; D14/209.1**

(58) **Field of Classification Search**
USPC D14/204, 204.1, 210–216, 434, 265, 221, D14/209, 168, 170–172, 194–196; 181/143, 144, 147, 148, 150–153, 157, 181/198, 199; 381/300–306, 332, 333, 381/336, 345, 361–364
(Continued)

FIG. 1 is a top, front and side perspective view of a jacket for a portable speaker embodying my new design.
FIG. 2 is a bottom, back and side perspective view thereof.
FIG. 3 is a front view thereof.
FIG. 4 is a back view thereof.
FIG. 5 is a top view thereof
FIG. 6 is a bottom view thereof.
FIG. 7 is a first side view thereof.
FIG. 8 is a second side view thereof; and,
FIG. 9 is a top, front and side perspective view thereof, shown in environmental use.

(56) **References Cited**

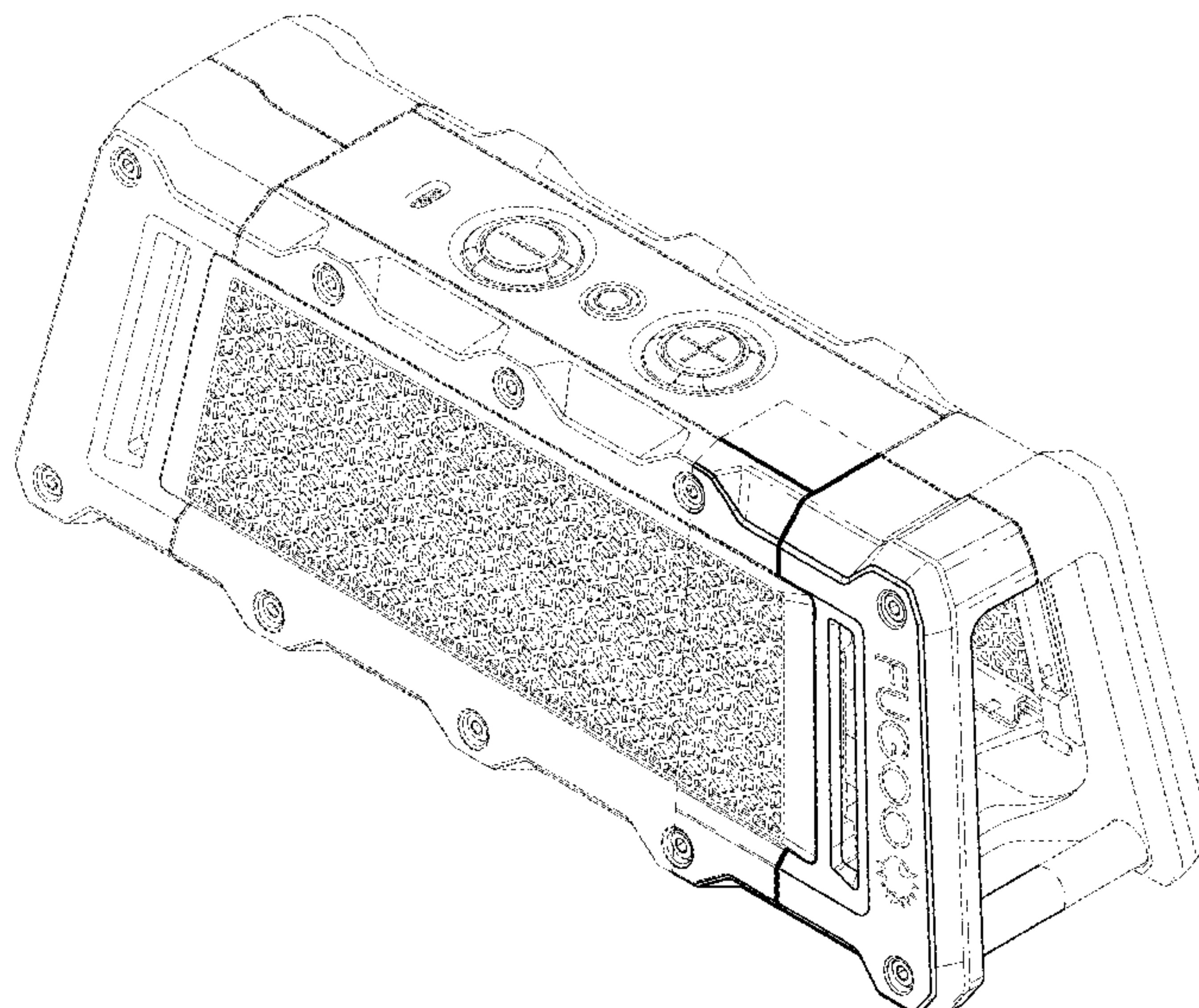
U.S. PATENT DOCUMENTS

D223,580 S 5/1972 Richards
4,439,644 A * 3/1984 Bruney, III G10K 11/002
181/151

Broken lines are used to illustrate features of the jacket for a portable speaker which form no part of the claimed design. In FIG. 9, the jacket is shown surrounding a portable speaker shown to represent environment which forms no part of the claimed design. The dot dash line represents a boundary line and forms no part of the claimed design.

(Continued)

1 Claim, 8 Drawing Sheets



(58) **Field of Classification Search**
 CPC ... B60R 11/0217; G06F 1/1688; H04M 1/035;
 H04R 1/02; H04R 11/026; H04R 1/323;
 H04R 2400/00
 See application file for complete search history.

2008/0132289 A1 6/2008 Wood et al.
 2009/0161903 A1 6/2009 White
 2009/0180662 A1 7/2009 Parker
 2011/0075877 A1 3/2011 Hao et al.
 2011/0170725 A1 7/2011 Liu
 2012/0082317 A1 4/2012 Pance
 2013/0177196 A1 7/2013 Lee
 2014/0355806 A1 12/2014 Graff
 2015/0195635 A1 7/2015 Garfio et al.

(56) **References Cited**

U.S. PATENT DOCUMENTS

4,805,729 A * 2/1989 Wascom H04R 1/26
 181/144
 6,035,962 A 3/2000 Lin
 6,295,263 B1 9/2001 Obata
 D471,178 S * 3/2003 Jordan D14/212
 6,665,412 B1 12/2003 Mizoguchi
 D491,165 S 6/2004 Hakoda
 D503,676 S * 4/2005 Krieger D13/110
 6,910,548 B2 6/2005 Powell
 D507,395 S * 7/2005 Choi D2/925
 7,155,026 B2 12/2006 Augustin, Sr. et al.
 D534,897 S 1/2007 Bhakta
 D535,976 S 1/2007 Ng et al.
 7,221,772 B2 5/2007 Evenisse et al.
 7,242,785 B2 7/2007 McNary
 D551,208 S 9/2007 Yano
 D552,081 S 10/2007 Yano
 D553,120 S 10/2007 Yano
 D556,737 S 12/2007 Oh
 D579,953 S 11/2008 Chen
 7,469,052 B2 12/2008 Peavey
 D611,450 S 3/2010 Miyazaki
 D619,116 S 7/2010 Skurdal
 7,764,806 B2 7/2010 Pei et al.
 D621,383 S 8/2010 Hou
 D642,156 S 7/2011 Joseph
 D646,665 S 10/2011 Iijima
 8,090,137 B2 1/2012 Ryan
 D661,286 S 6/2012 McManigal et al.
 8,194,897 B2 6/2012 Choi
 D673,525 S 1/2013 Goetzen et al.
 8,351,638 B2 1/2013 Park
 8,406,449 B2 3/2013 Wegener
 D705,753 S 5/2014 Kimura
 D710,332 S 8/2014 Baird
 D726,685 S 4/2015 Cheng
 D733,099 S 6/2015 Pupecki et al.
 D734,738 S 7/2015 Jackson et al.
 D735,168 S 7/2015 Cheng et al.
 D736,745 S 8/2015 Yau et al.
 D736,746 S 8/2015 Cheng et al.
 D736,747 S 8/2015 Yau et al.
 D737,246 S 8/2015 Billington
 D737,247 S 8/2015 Billington
 2003/0128849 A1 7/2003 Meyer
 2004/0208336 A1 10/2004 Hamada
 2005/0031148 A1 2/2005 McNary
 2006/0049938 A1 3/2006 Wilson
 2007/0177741 A1 8/2007 Williamson

FOREIGN PATENT DOCUMENTS

JP 1452612 S 9/2012
 JP 1512788 S 10/2014
 JP 1516229 S 12/2014
 KR 10-2007-0104190 10/2007
 WO WO 2007/100706 9/2007
 WO WO 2011/011224 1/2011

OTHER PUBLICATIONS

Libratone Zipp, http://reviews.cnet.com/bluetooth-speakers/libratone-zipp-gray/4505-34810_7-35530587.html?autoplay=true, CNET review date of Nov. 12, 2012, retrieved on Jan. 8, 2014.
 JBL Flip, http://reviews.cnet.com/bluetooth-speakers/jbl-flip-black/4505-34810_7-35550919.html, CNET review date of Dec. 21, 2012, retrieved on Jan. 6, 2014.
 Jawbone Jambox, http://reviews.cnet.com/portable-speakers/jawbone-jambox-black-diamond/4505-11313_7-34207708.html, CNET review date of Nov. 4, 2010, retrieved on Jan. 6, 2014.
 Jawbone Big Jambox, http://reviews.cnet.com/bluetooth-speakers/jawbone-big-jambox-graphite/4505-34810_7-35244085.html, CNET review date of Apr. 30, 2012, retrieved on Jan. 6, 2014.
 Logitech UE Boom, http://reviews.cnet.com/portable-speakers/logitech-ue-boom-blue/4505-11313_7-35765418.html, CNET review date of Jun. 18, 2013, retrieved on Jan. 6, 2014.
 JBL Charge, http://reviews.cnet.com/portable-speakers/jbl-charge-blue/4505-11313_7-35613369.html, CNET review date of Apr. 8, 2013, retrieved on Jan. 6, 2014.
 Beats Pill, http://reviews.cnet.com/portable-speakers/beats-pill-black/4505-11313_7-35493112.html, CNET review date of Nov. 21, 2012, retrieved on Jan. 6, 2014.
 Jawbone Mini Jambox, <http://www.bestbuy.com/site/jawbone-mini-jambox-wireless-speaker-blue-diamond/1584782.p?id=1219056361326&skuId=1584782>, retrieved on Mar. 13, 2015.
 Jensen Bluetooth Wireless Stereo Speaker, <http://www.bestbuy.com/site/jensen-bluetooth-wireless-stereo-speaker-black/6544488.p?id=1218748100411&skuId=6544488>, retrieved on Mar. 13, 2015.
 International Search Report and Written Opinion for International Application No. PCT/US2015/010057, Notification mailed Apr. 20, 2015.
 Violano, "Could the Aqua Tek S Be the Ultimate in Protection for your iPhone?", date listed Mar. 4, 2012. AppAdvice.
 Cruz, "Stylin' and Dialin' 13 The Pursecase is a Mut-Have Case Every Female iPhoneer", date listed Jul. 23, 2013, TechWeLike.

* cited by examiner

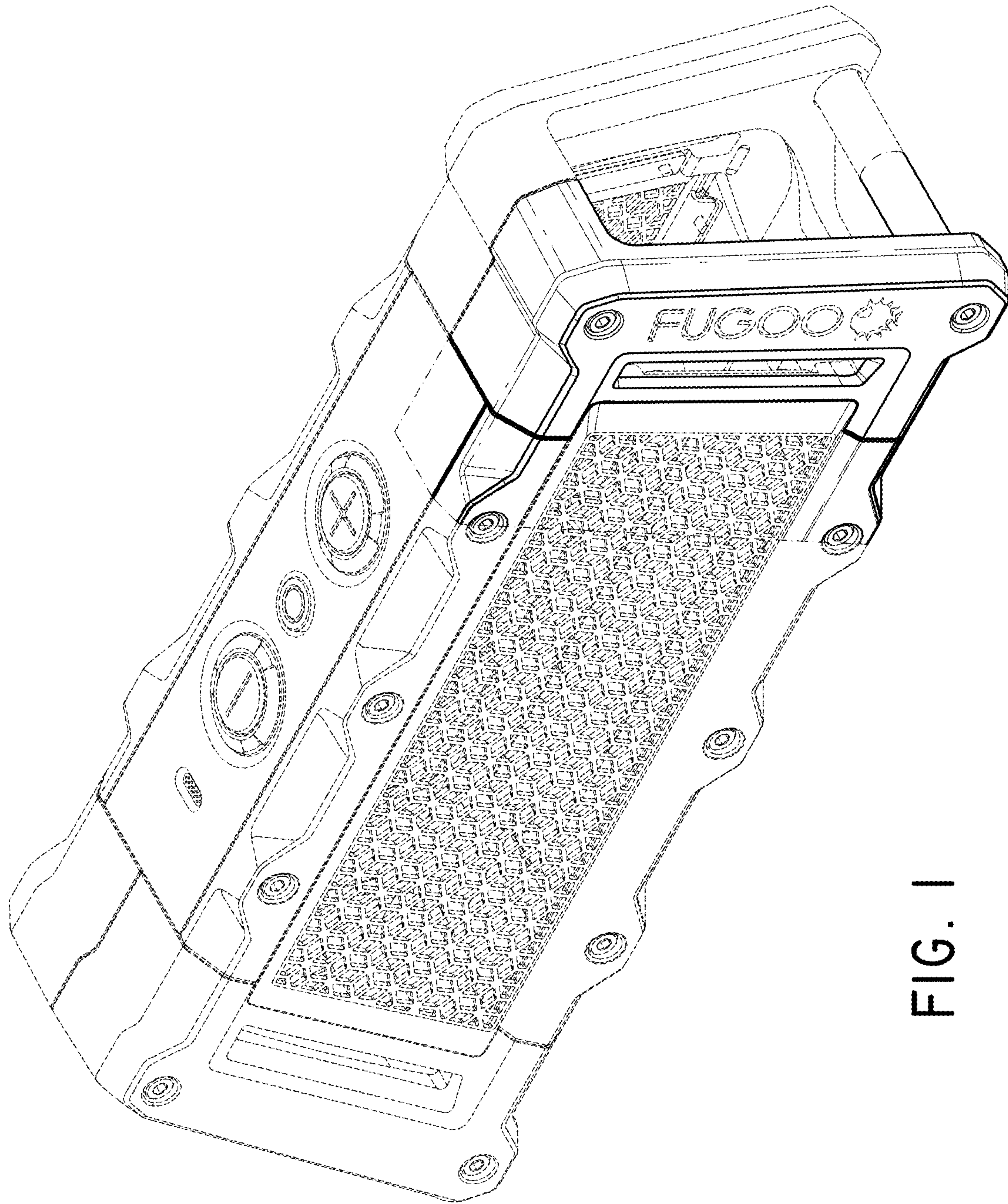


FIG. 1

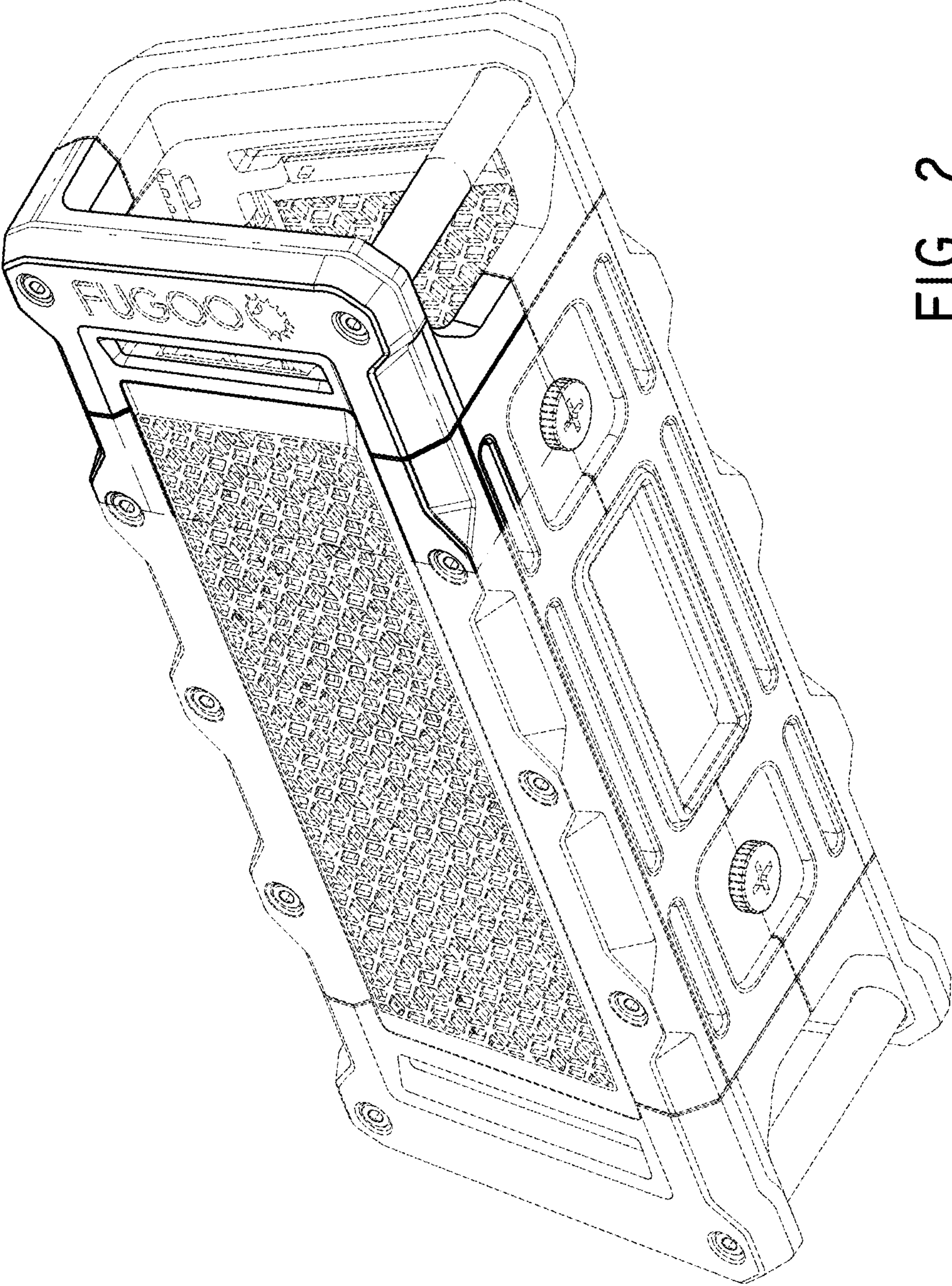


FIG. 2

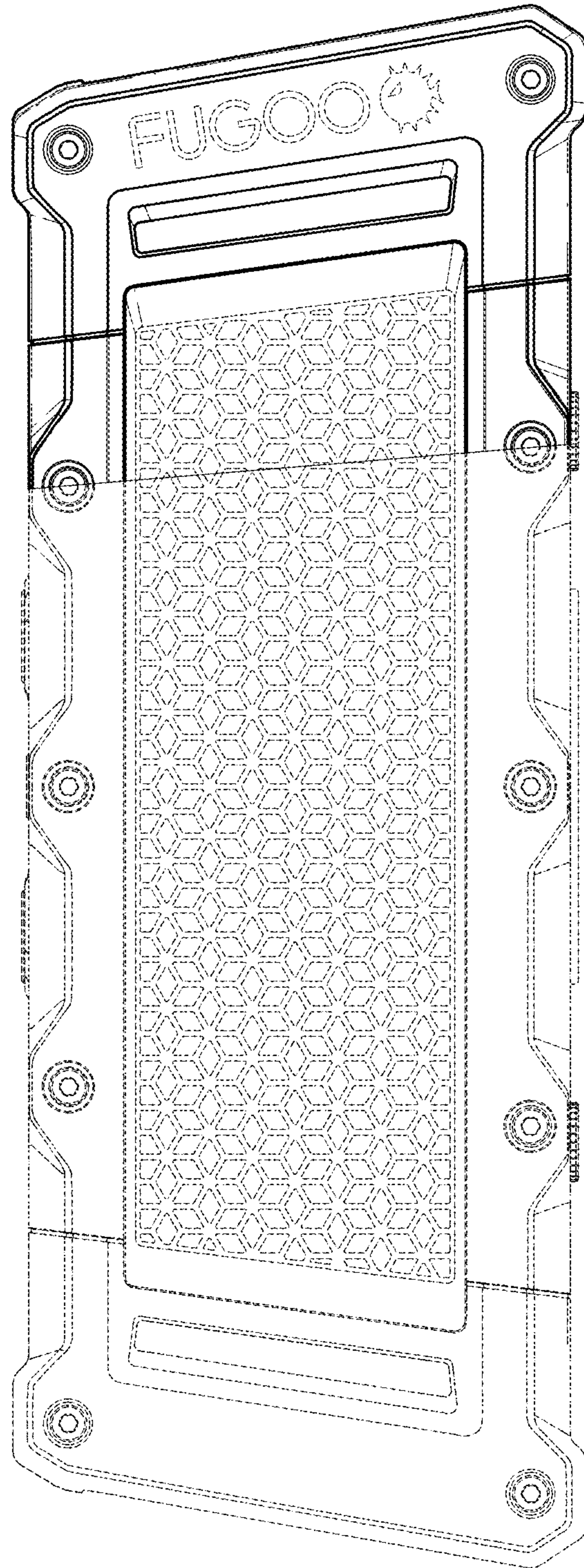


FIG. 3

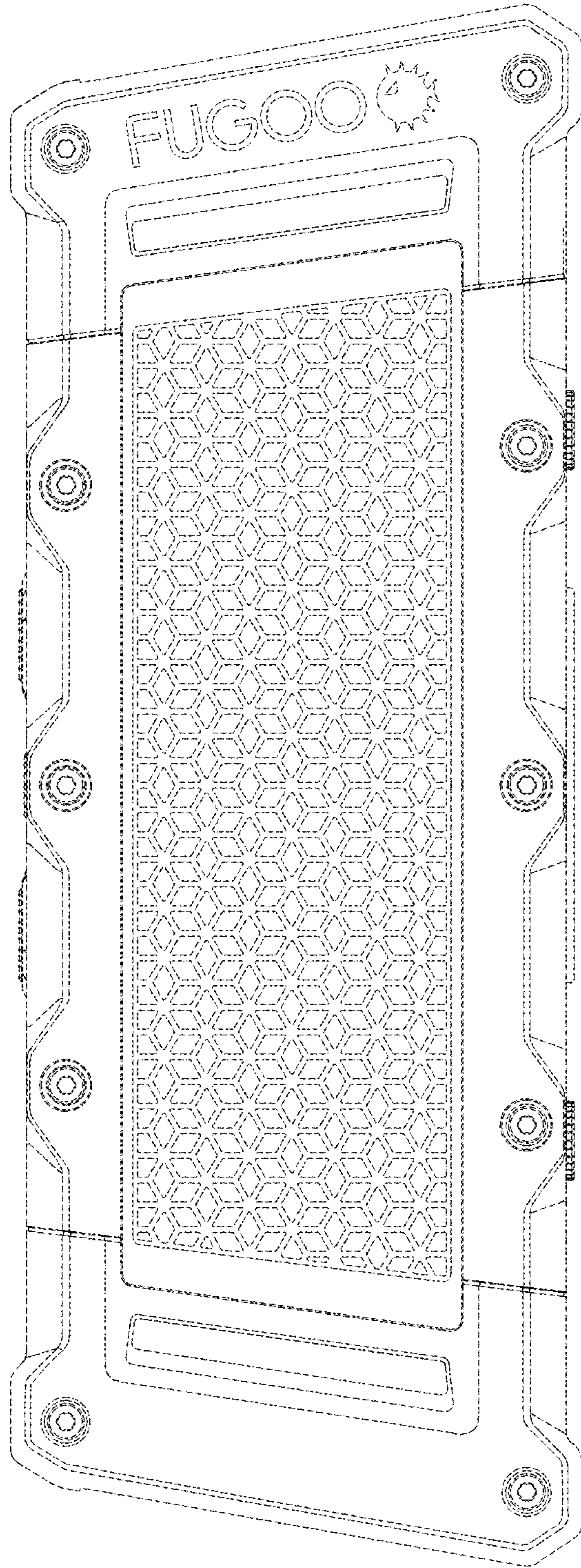


FIG. 4

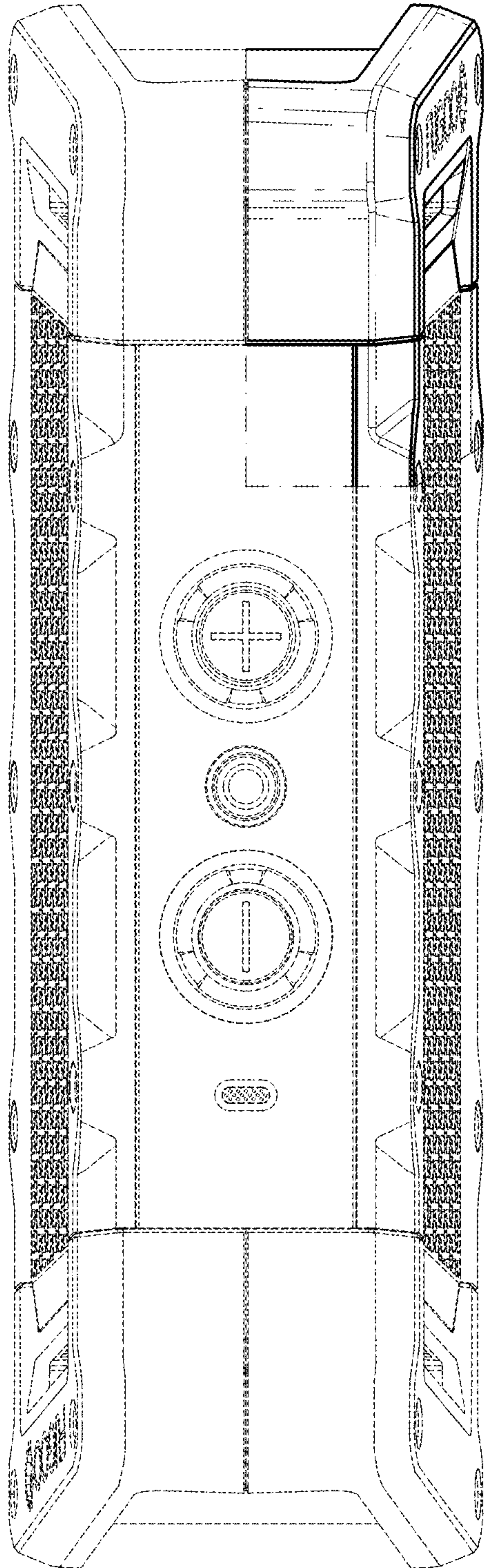


FIG. 5

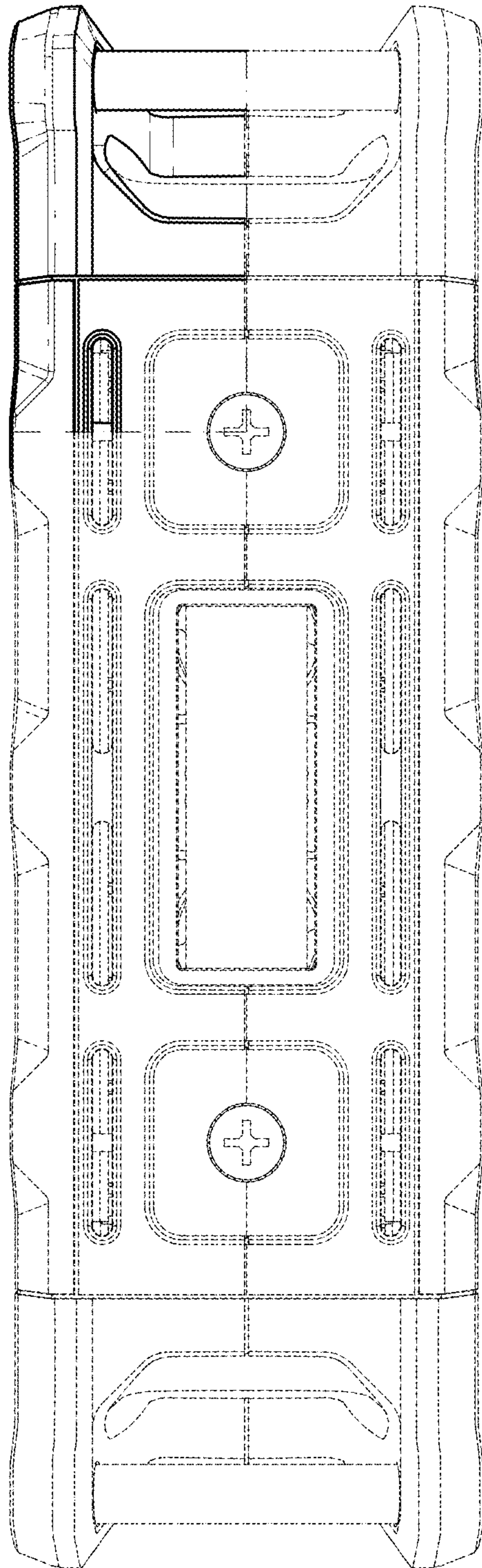


FIG. 6

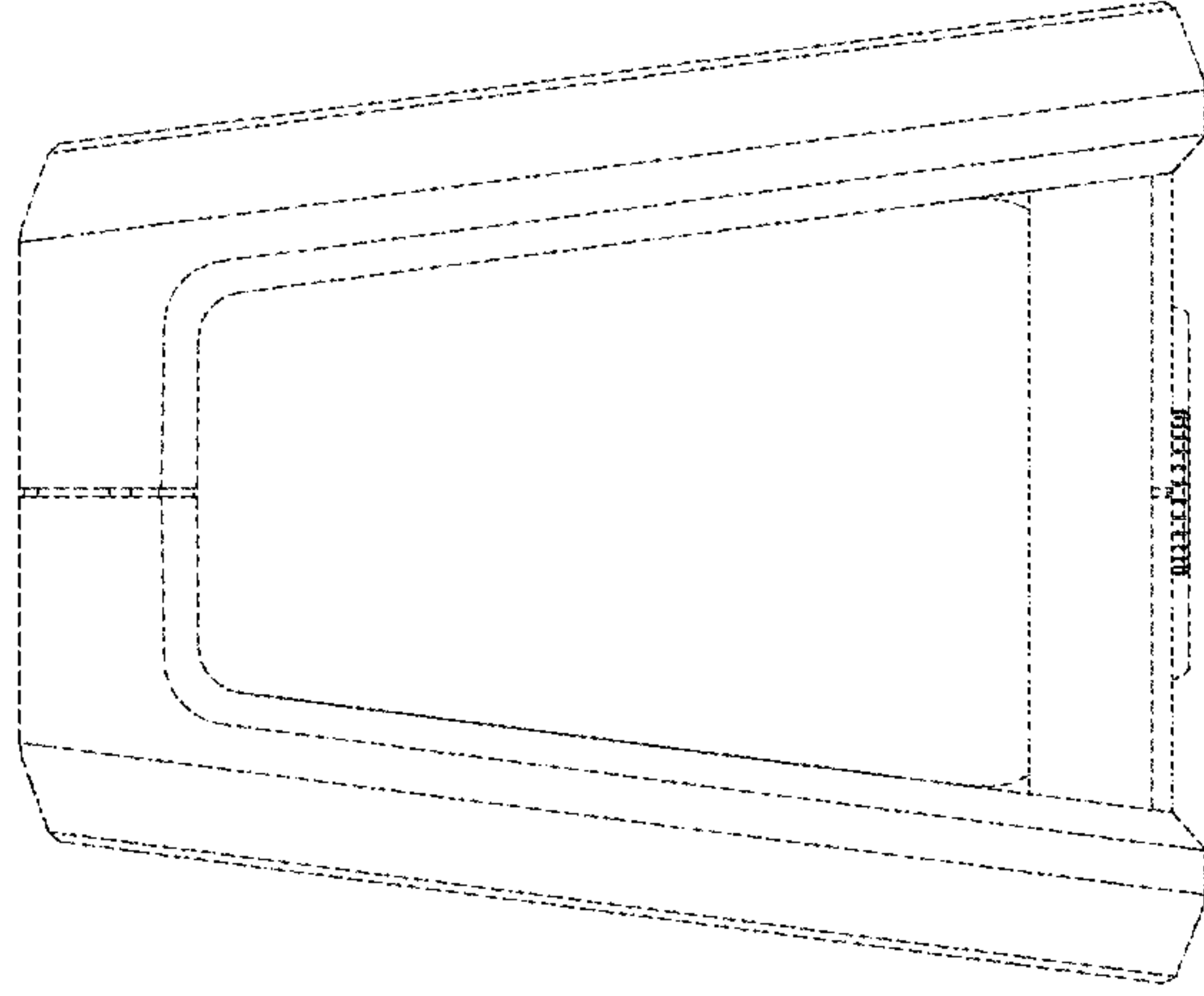


FIG. 8

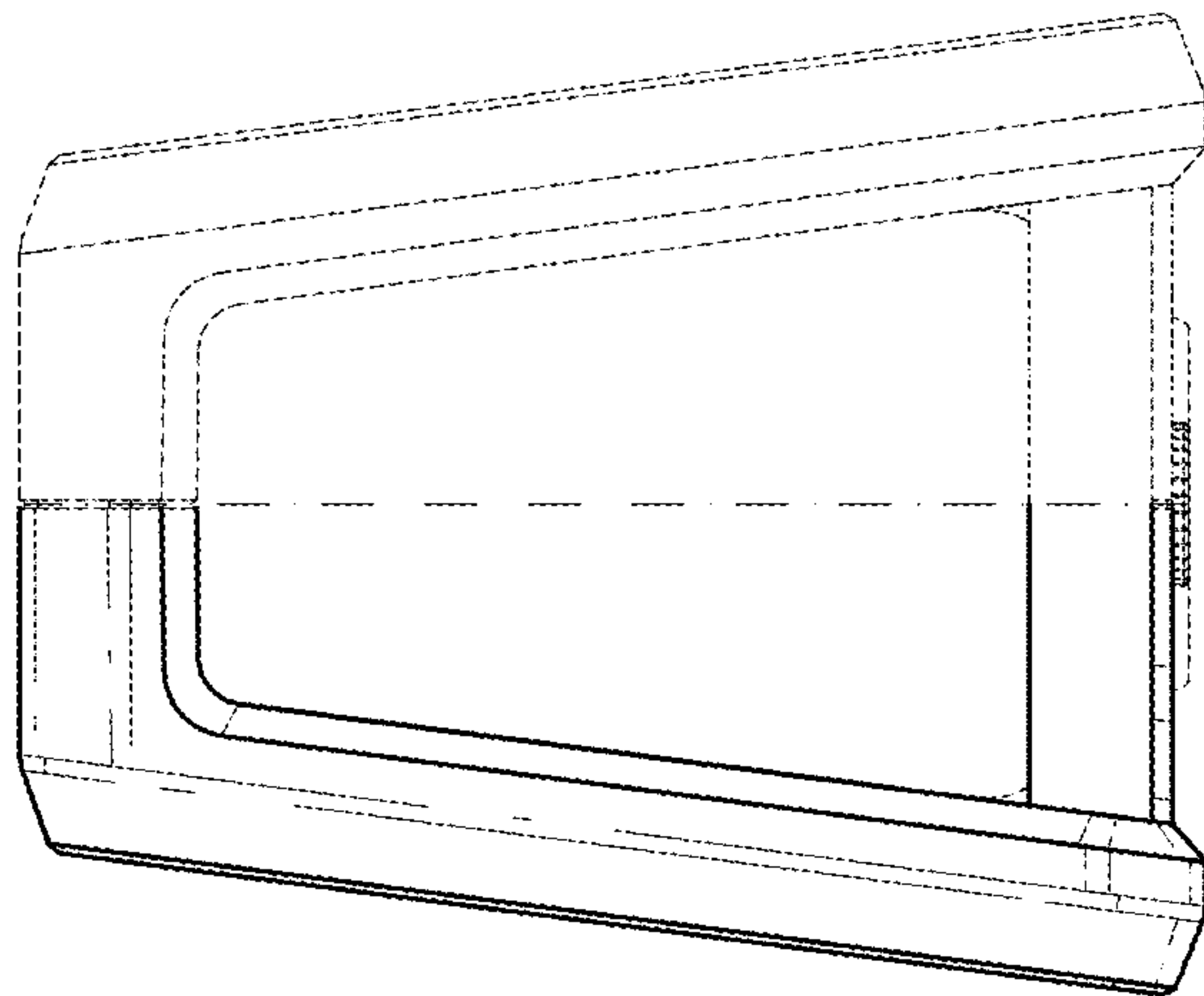


FIG. 7

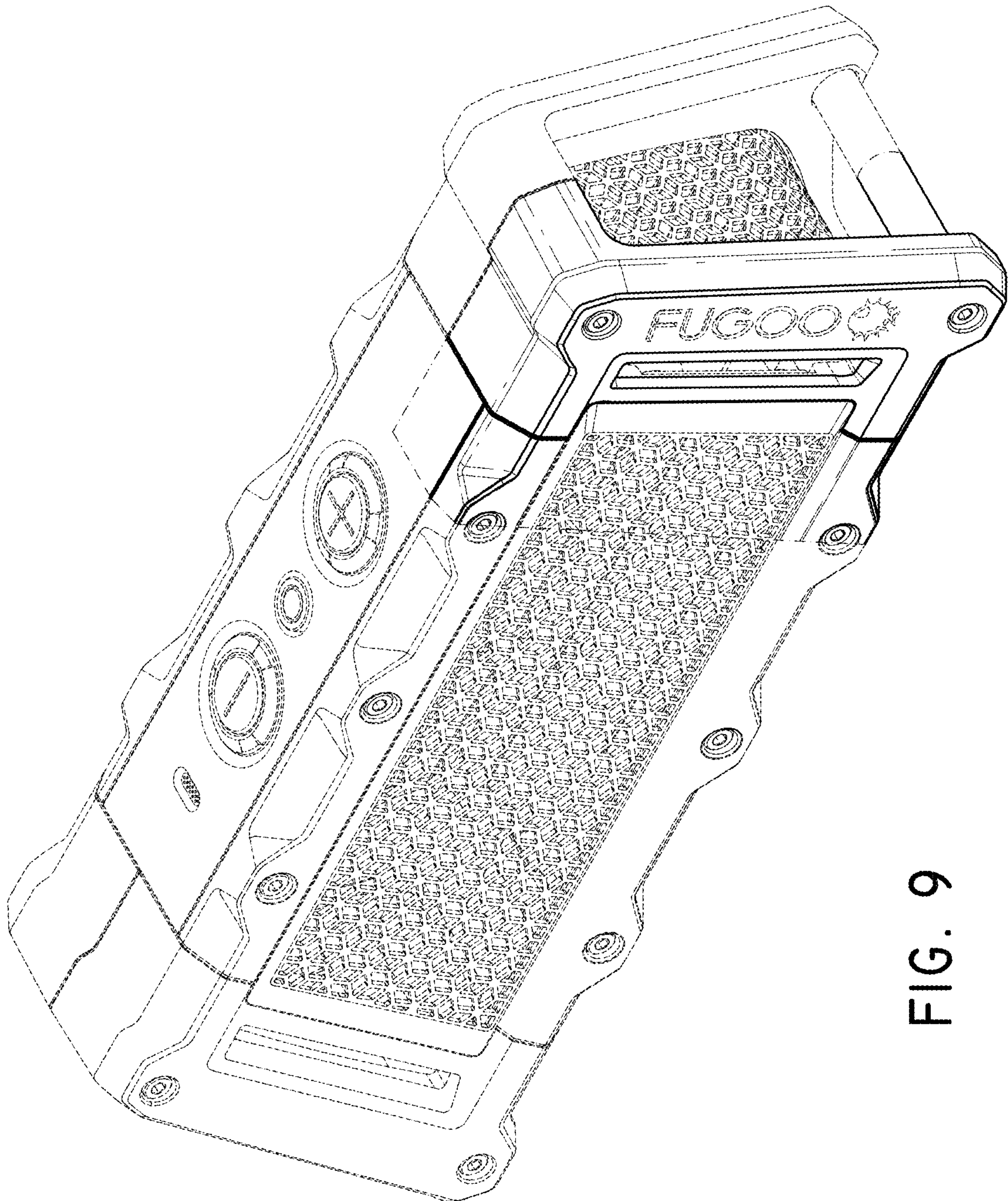


FIG. 9