



US00D777141S

(12) **United States Design Patent** (10) **Patent No.:** **US D777,141 S**
Lee et al. (45) **Date of Patent:** **** Jan. 24, 2017**

(54) **REMOTE CONTROLLER**

(71) Applicant: **Samsung Electronics Co., Ltd.**,
Suwon-si (KR)

(72) Inventors: **Young-Ah Lee**, Seoul (KR); **Jae-Yeop Kim**, Seoul (KR); **Kwan-Min Lee**, Seoul (KR); **Ji-Bum Moon**, Seoul (KR); **Jean-Christophe Naour**, Anyang (KR)

(73) Assignee: **Samsung Electronics Co., Ltd.**,
Suwon-si (KR)

(**) Term: **14 Years**

(21) Appl. No.: **29/485,985**

(22) Filed: **Mar. 25, 2014**

(30) **Foreign Application Priority Data**

Oct. 2, 2013 (KR) 30-2013-0050141

(51) **LOC (10) Cl.** **14-03**

(52) **U.S. Cl.**
USPC **D14/218**

(58) **Field of Classification Search**
USPC D14/218; D13/168, 154, 164, 162;
D21/712; D10/106.1, 21, 6; D24/200;
D9/430-433; 229/116; 473/595; 52/82, 72
See application file for complete search history.

(56) **References Cited**

U.S. PATENT DOCUMENTS

D24,313	S	*	5/1895	Taggart	D13/100
1,201,441	A	*	10/1916	Clinger	211/14
1,731,712	A	*	10/1929	Davis	368/296
2,115,507	A	*	4/1938	Glidden	269/302
2,982,054	A	*	5/1961	Anderson	52/82
3,068,956	A	*	12/1962	Cooley	181/289
3,577,691	A	*	5/1971	Persson et al.	52/72
D242,640	S	*	12/1976	Mosher	D11/157
D275,224	S	*	8/1984	Darche	D13/100

D315,552	S	*	3/1991	Sacherman	D14/417
D325,582	S	*	4/1992	Emmons et al.	D14/218
D330,362	S	*	10/1992	Harris	D13/100
D331,060	S	*	11/1992	Emmons et al.	D14/218
D349,117	S	*	7/1994	Rasansky et al.	D14/218
D353,427	S	*	12/1994	Wuesthoff	D21/712

(Continued)

FOREIGN PATENT DOCUMENTS

JP D1444906 * 6/2012

OTHER PUBLICATIONS

Loop shank Alloy pyramid button, Announced Oct. 9, 2011, [Site Visited Nov. 21, 2014] http://www.hkweihua.com/alloy_buttons/alloy_shank_button/loop_shank_alloy_pyramid_button_24.aspx.*

(Continued)

Primary Examiner — John Windmuller
Assistant Examiner — Luqman McNeil
(74) *Attorney, Agent, or Firm* — NSIP Law

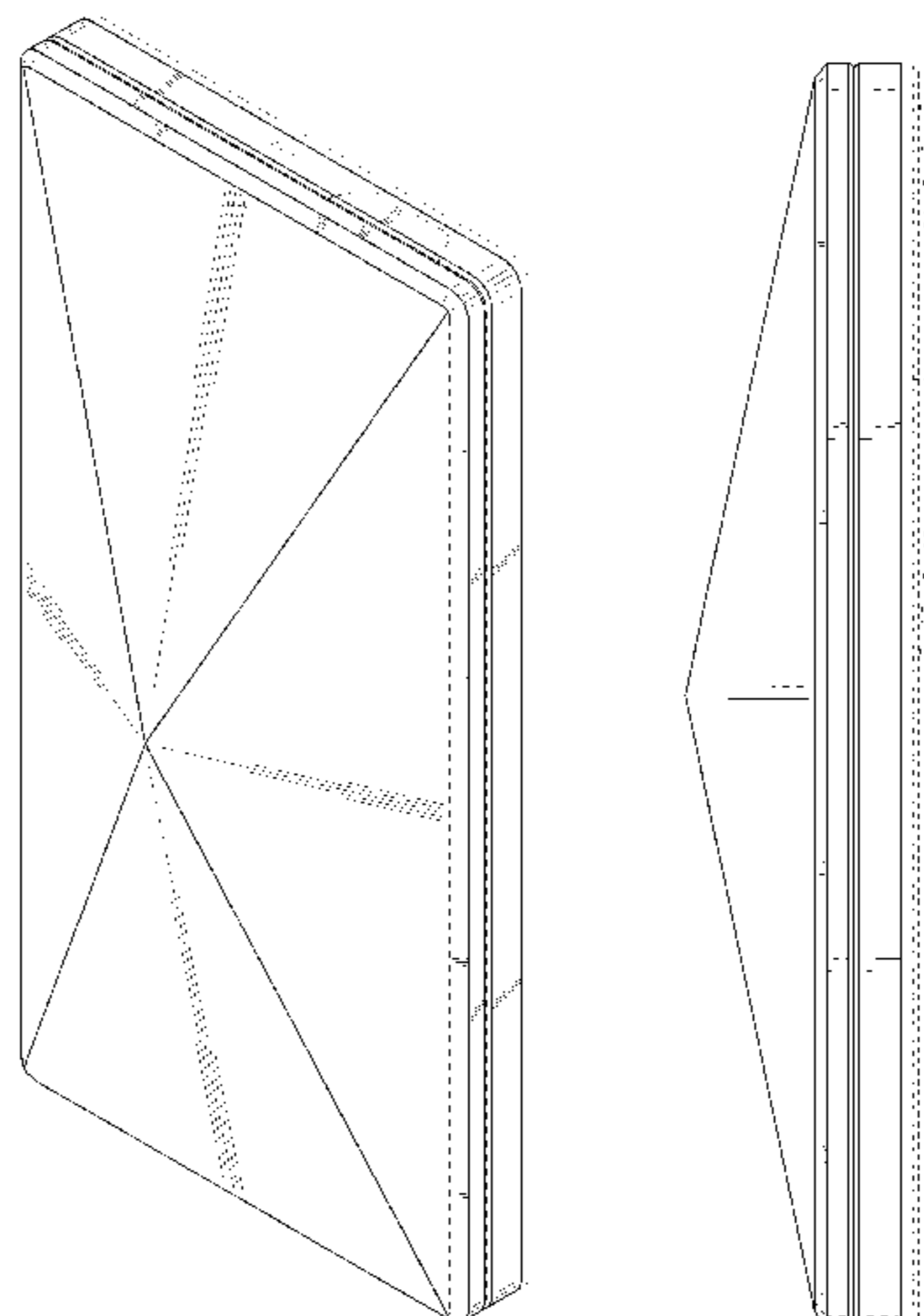
(57) **CLAIM**

We claim the ornamental design for a remote controller, as shown and described.

DESCRIPTION

FIG. 1 is a rear perspective view of a remote controller showing our new design;
FIG. 2 is a front view thereof;
FIG. 3 is a rear view thereof;
FIG. 4 is a left-side view thereof;
FIG. 5 is a right-side view thereof;
FIG. 6 is a top view thereof; and,
FIG. 7 is a bottom view thereof.
The broken lines illustrating portions of the remote controller are for environmental purposes only and form no part of the claimed design.

1 Claim, 5 Drawing Sheets



(56)

References Cited

U.S. PATENT DOCUMENTS

D366,042 S * 1/1996 Laituri D14/218
 D369,414 S * 4/1996 Lee D24/200
 5,745,932 A * 5/1998 Barovetto 4/498
 D406,568 S * 3/1999 Harmuth et al. D13/168
 5,908,265 A * 6/1999 Mostkoff 405/29
 5,983,701 A * 11/1999 Hassani et al. 73/12.01
 D429,701 S * 8/2000 Maruta et al. D13/162
 D456,931 S * 5/2002 Shimada D26/85
 D484,422 S * 12/2003 Hnidak D10/21
 D506,193 S * 6/2005 Shoushtari D14/300
 D534,825 S * 1/2007 Bitetto D10/132
 D552,334 S * 10/2007 Lee D2/957
 D554,630 S * 11/2007 Ma D14/240
 D555,585 S * 11/2007 Saunders et al. D13/100
 D566,340 S * 4/2008 Benyami D29/122
 D577,454 S * 9/2008 Maxik et al. D26/63
 7,491,265 B1 * 2/2009 Johnson et al. 96/121
 D610,471 S * 2/2010 Parikh D10/6
 D611,431 S * 3/2010 Snyder et al. D13/168
 D620,788 S * 8/2010 Hainaut et al. D9/420
 D626,528 S * 11/2010 Park et al. D14/138 AB
 7,857,945 B2 * 12/2010 Al-Garni et al. 202/234
 D646,232 S * 10/2011 Felegy et al. D13/168
 D652,393 S * 1/2012 Suzuki D13/168
 D664,123 S * 7/2012 Nguyen et al. D14/218
 D671,745 S * 12/2012 Wyner D3/301
 2011/0266122 A1 * 11/2011 Zaharchuk et al. 200/308

OTHER PUBLICATIONS

Newport Pyramid Post Cap (Cedar) 4"x6", Announced Jan. 3, 2012,
 [Site Visted Dec. 11, 2014]http://deckdepot.com/newport_pyramid_deck_fence_post_cap_4x6.aspx.*

* cited by examiner

FIG.1

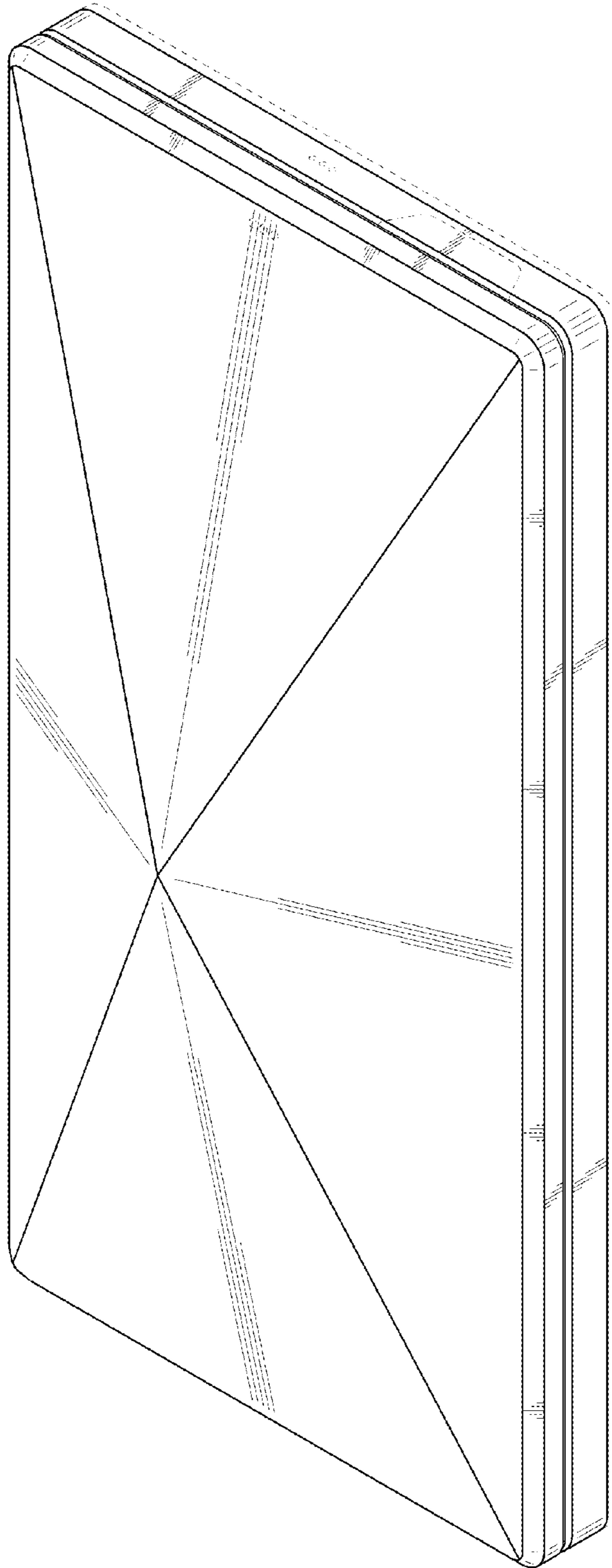


FIG.2

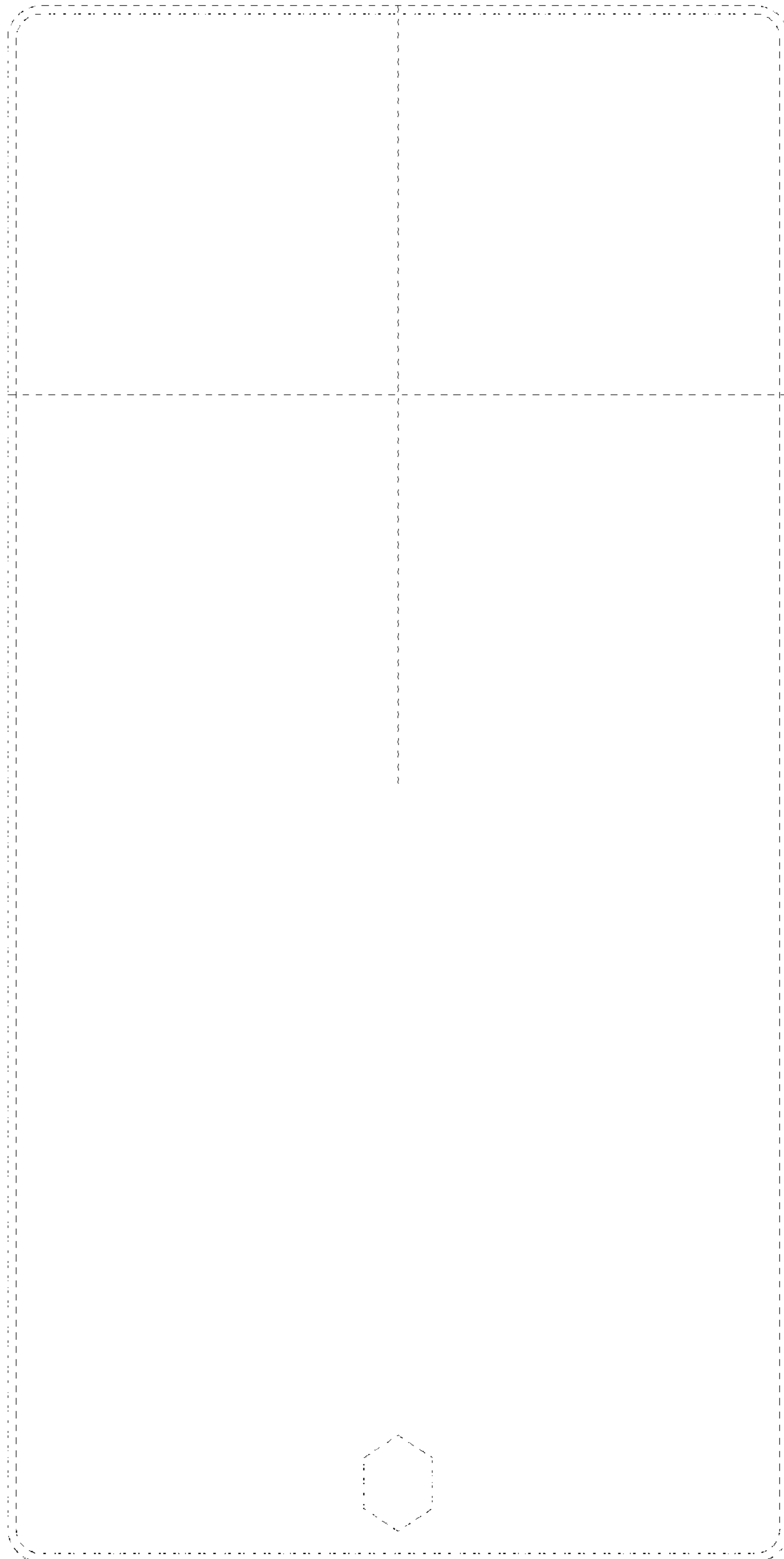


FIG.3

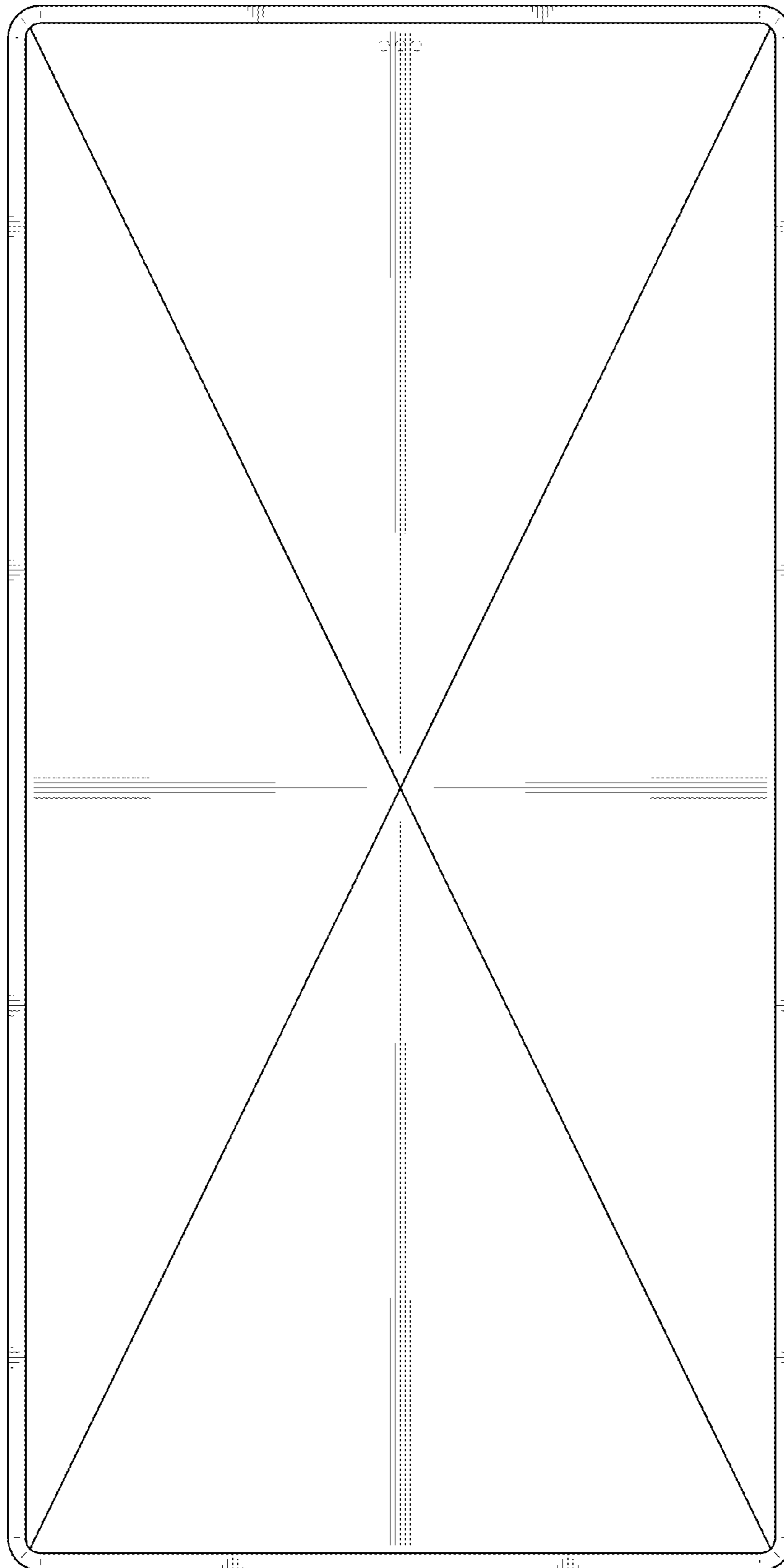


FIG.4

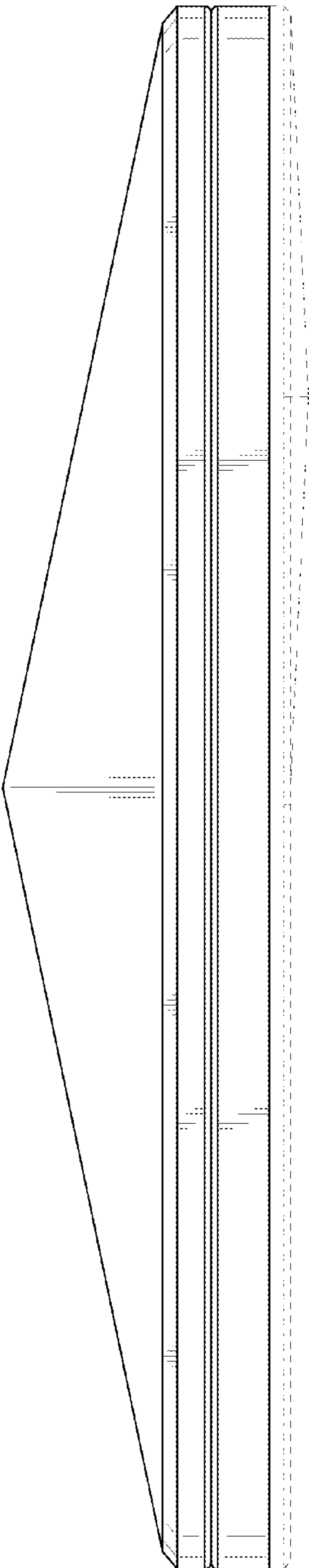


FIG.5

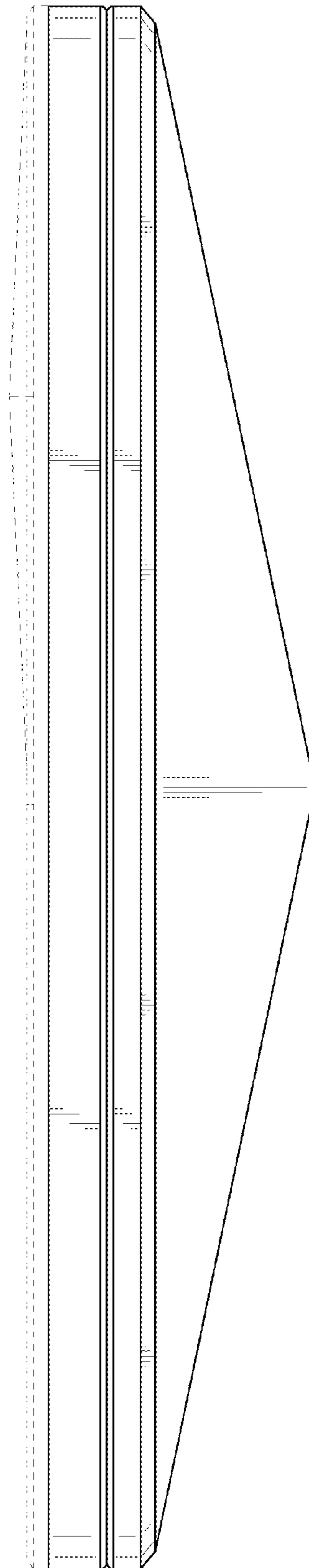


FIG.6

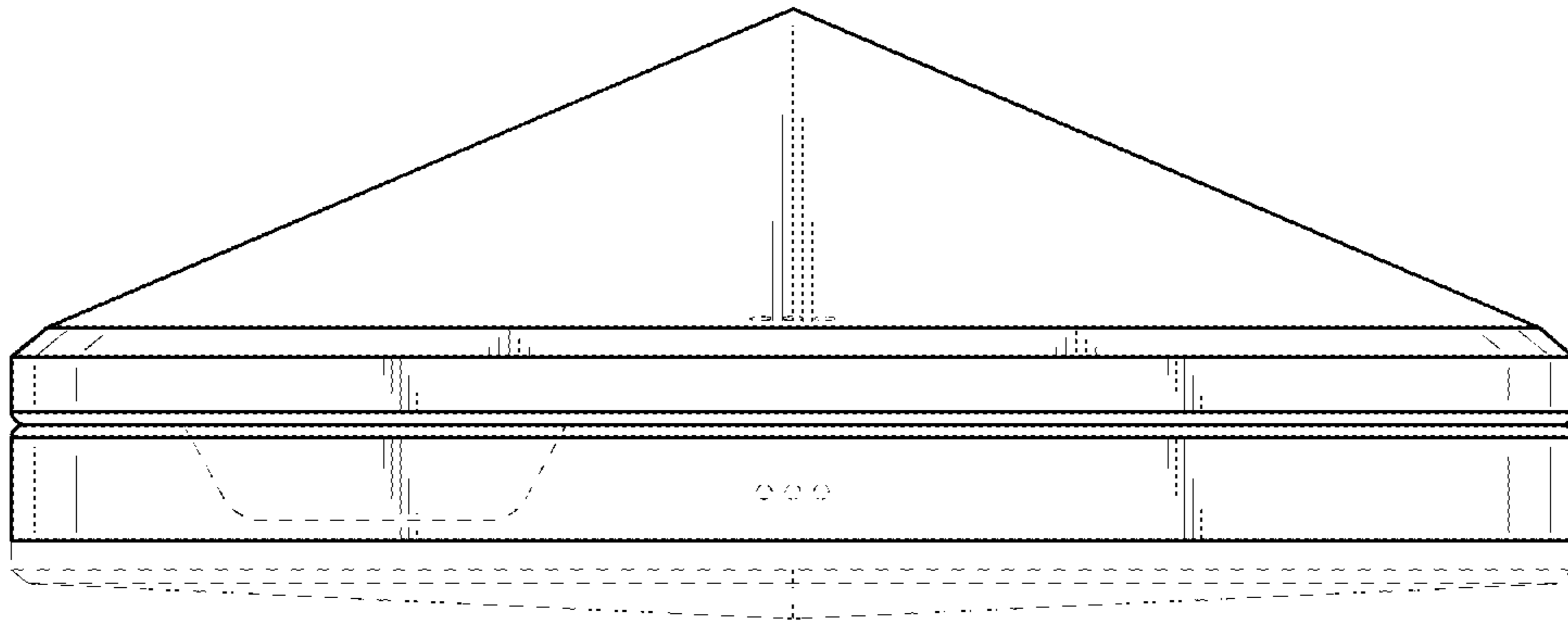


FIG.7

