



US00D777139S

(12) **United States Design Patent**
Fletcher et al.

(10) **Patent No.:** **US D777,139 S**

(45) **Date of Patent:** **** Jan. 24, 2017**

(54) **STEREO HEADSET**

(71) Applicant: **BlackBerry Limited**, Waterloo (CA)

(72) Inventors: **Jodie Elizabeth Fletcher**, Ottawa (CA); **Brian Dennis Paschke**, Toronto (CA); **Alison Phillips**, Toronto (CA)

(73) Assignee: **BlackBerry Limited**, Waterloo, Ontario (CA)

(**) Term: **15 Years**

(21) Appl. No.: **29/540,298**

(22) Filed: **Sep. 23, 2015**

(51) **LOC (10) Cl.** **14-01**

(52) **U.S. Cl.**
USPC **D14/205**

(58) **Field of Classification Search**
USPC D14/205, 223; D13/153, 154, 168; D8/358;
174/117 R; 181/129, 130, 135; 379/430,
379/431; 381/380, 381, 370, 374, 384;
455/569.1, 90.3, 575.1
CPC H04R 25/00; H04R 1/10; H04R 1/1033;
H04R 5/033; H04R 5/0335; H04R 1/105
See application file for complete search history.

(56) **References Cited**

U.S. PATENT DOCUMENTS

1,837,723	A *	12/1931	McGraw	H01R 24/58 264/262
3,089,915	A *	5/1963	Plummer	H01B 9/024 101/415.1
3,626,360	A *	12/1971	Cole	H01R 24/58 439/669
D244,611	S *	6/1977	Gietzen	D13/133
4,646,872	A *	3/1987	Kamon	H04R 1/225 181/129
5,410,608	A *	4/1995	Lucey	H04R 1/083 381/360

(Continued)

Primary Examiner — Paula Greene

(74) *Attorney, Agent, or Firm* — Jon Gibbons; Fleit Gibbons Gutman Bongini & Bianco P.L.

(57) **CLAIM**

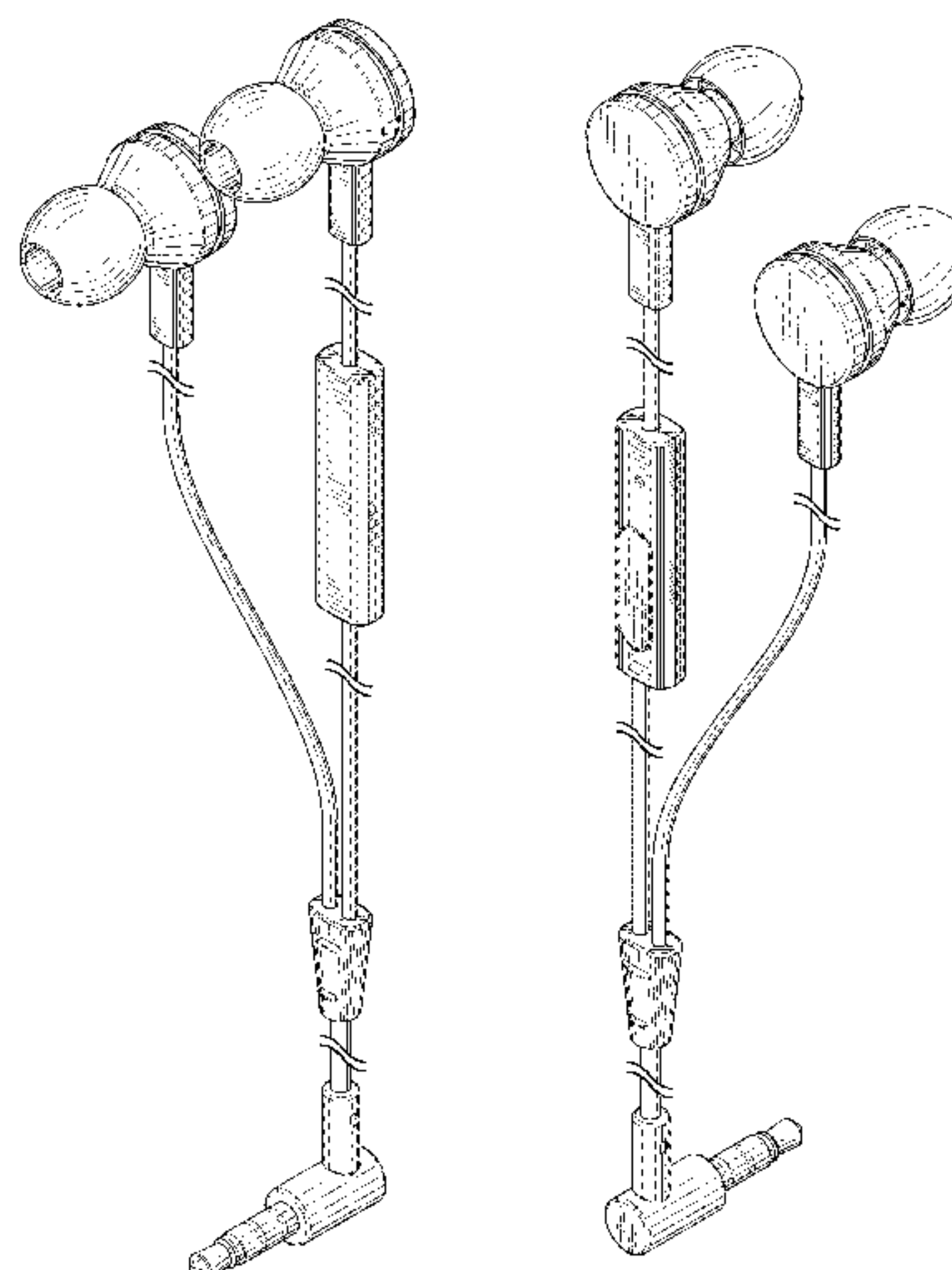
The ornamental design for a stereo headset, as shown and described.

DESCRIPTION

FIG. 1 is a first perspective view of the stereo headset; FIG. 2 is a second perspective view thereof; FIG. 3 is a first elevational view thereof; FIG. 4 is a second elevational view thereof; FIG. 5 is a first side elevational view thereof; FIG. 6 is a second side elevational view thereof; FIG. 7 is a plan view showing the first end thereof; FIG. 8 is a plan view showing the second end thereof, wherein the cord of the stereo headset is shown in FIGS. 1 to 6 with symbolic breaks to indicate an indeterminate length; FIG. 9 is a first perspective view of another example of the stereo headset; FIG. 10 is a second perspective view thereof; FIG. 11 is a first elevational view thereof; FIG. 12 is a second elevational view thereof; FIG. 13 is a first side elevational view thereof; FIG. 14 is a second side elevational view thereof; FIG. 15 is a plan view showing the first end thereof; and, FIG. 16 is a plan view showing the second end thereof, wherein the cord of the stereo headset is shown in FIGS. 9 to 14 with symbolic breaks to indicate an indeterminate length.

The symbolic breaks and portions of the stereo headset between adjacent symbolic break indications form no part of the claimed design.

1 Claim, 12 Drawing Sheets



(56)

References Cited

U.S. PATENT DOCUMENTS

D396,860 S *	8/1998	Yasutomi	D10/119.2	8,456,864 B2 *	6/2013	Stiehl	H01H 9/0228
D475,996 S *	6/2003	Skulley	D14/223					361/605
7,139,590 B2 *	11/2006	Liu	H04M 1/6058	D685,764 S *	7/2013	Coulter	D14/205
				455/556.1	D686,191 S *	7/2013	Schaal	D14/205
D550,657 S *	9/2007	Gan	D14/223	D687,410 S *	8/2013	Fletcher	D14/205
D558,735 S *	1/2008	Carr	D14/206	D695,265 S *	12/2013	Schaal	D14/205
D559,778 S *	1/2008	Tsuzuki	D13/110	D695,266 S *	12/2013	Schaal	D14/205
D569,841 S *	5/2008	Chung	D14/205	D695,267 S *	12/2013	Schaal	D14/205
D578,507 S *	10/2008	Ando	D14/205	D698,750 S *	2/2014	Yoon	D14/205
D582,389 S *	12/2008	Bose	D14/205	D699,703 S *	2/2014	Schaal	D14/205
D582,889 S *	12/2008	Bose	D14/205	8,655,006 B2 *	2/2014	Aase	B29C 43/203
D584,284 S *	1/2009	Carr	D14/206					381/370
D591,264 S *	4/2009	Hong	D14/205	D711,356 S *	8/2014	Yang	D14/223
D597,071 S *	7/2009	Andre	D14/206	D715,254 S *	10/2014	Lee	D14/205
D599,779 S *	9/2009	Ando	D14/205	D715,777 S *	10/2014	Huang	D14/223
D605,628 S *	12/2009	Ando	D14/205	D718,744 S *	12/2014	Thompson	D14/223
D614,168 S *	4/2010	Rogers	D14/206	D719,551 S *	12/2014	Yang	D14/223
D626,117 S *	10/2010	Lowry	D14/223	8,908,899 B1 *	12/2014	Yang	H04R 1/1033
D635,558 S *	4/2011	Zheng	D14/206					381/370
D636,756 S *	4/2011	Fahrendorff	D14/205	D726,145 S *	4/2015	Hsieh	D14/205
D637,998 S *	5/2011	Brunner	D14/205	D726,165 S *	4/2015	Kawaji	D14/223
D641,008 S *	7/2011	Lee	D14/223	D727,279 S *	4/2015	Schaal	D14/205
D641,737 S *	7/2011	Krauss	D14/205	D727,871 S *	4/2015	Orbach	D14/205
D648,316 S *	11/2011	Lee	D14/205	9,031,264 B2 *	5/2015	Yang	H04R 1/1033
D648,317 S *	11/2011	Katsuraku	D14/205					381/189
8,073,181 B2 *	12/2011	Bakalos	H04R 3/04	D739,377 S *	9/2015	Yeom	D14/205
				381/103	D760,189 S *	6/2016	Loh Jun Kern	D14/205
D659,117 S *	5/2012	Krauss	D14/205	D761,760 S *	7/2016	Poulsen	D14/205
D659,673 S *	5/2012	Fahrendorff	D14/205	2008/0166003 A1 *	7/2008	Hankey	H01H 9/0228
8,269,110 B2 *	9/2012	Scifo	H02G 3/0475					381/370
				174/135	2010/0104126 A1 *	4/2010	Greene	H01B 7/225
D673,531 S *	1/2013	Lee	D14/223					381/384
D674,373 S *	1/2013	Combs	D14/205	2011/0044487 A1 *	2/2011	Nault	H04R 1/1033
8,363,873 B2 *	1/2013	Liu	B82Y 30/00					381/380
				174/113 R	2011/0162883 A1 *	7/2011	Groset	B29C 45/0055
D678,242 S *	3/2013	Von Euler	D14/205					174/70 R
8,442,257 B2 *	5/2013	Aase	H04R 1/1033	2012/0045084 A1 *	2/2012	Groset	B29C 45/0055
				381/370					381/384
8,447,062 B2 *	5/2013	Lin	H04R 1/1033	2012/0170790 A1 *	7/2012	Pang	H04R 1/1033
				381/370					381/384
D684,950 S *	6/2013	Schaal	D14/205	2014/0138150 A1 *	5/2014	Huang	H04R 1/1033
D684,953 S *	6/2013	Schaal	D14/205					174/71 R
					2016/0142808 A1 *	5/2016	Monahan	H04R 1/1033
									381/384

* cited by examiner

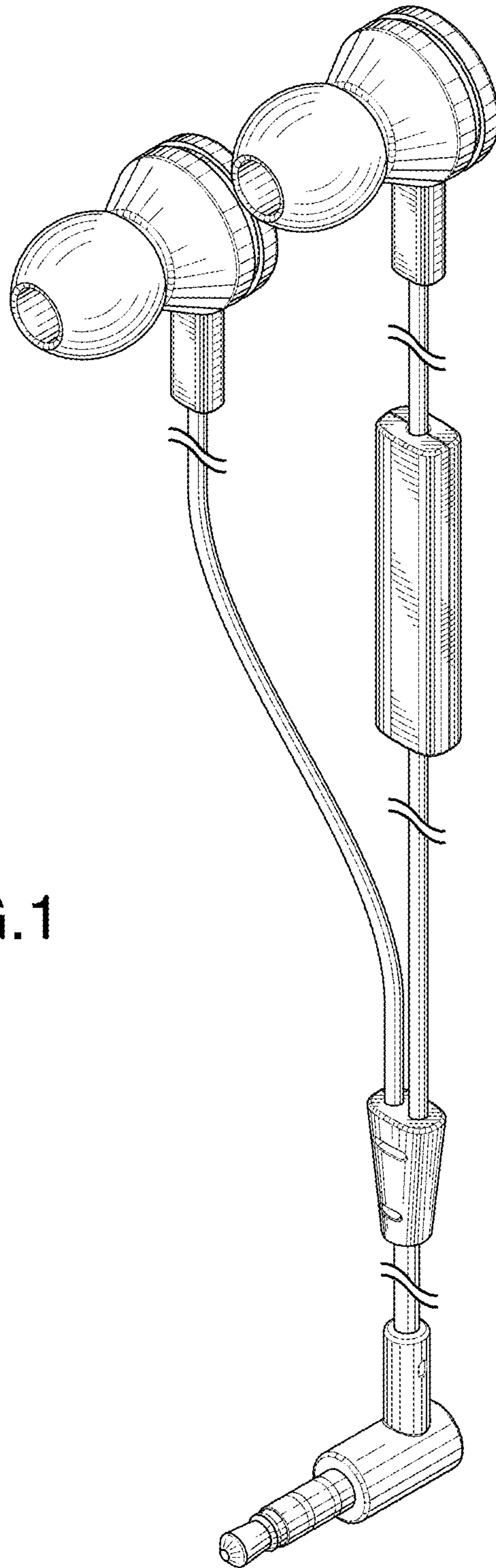


FIG.1

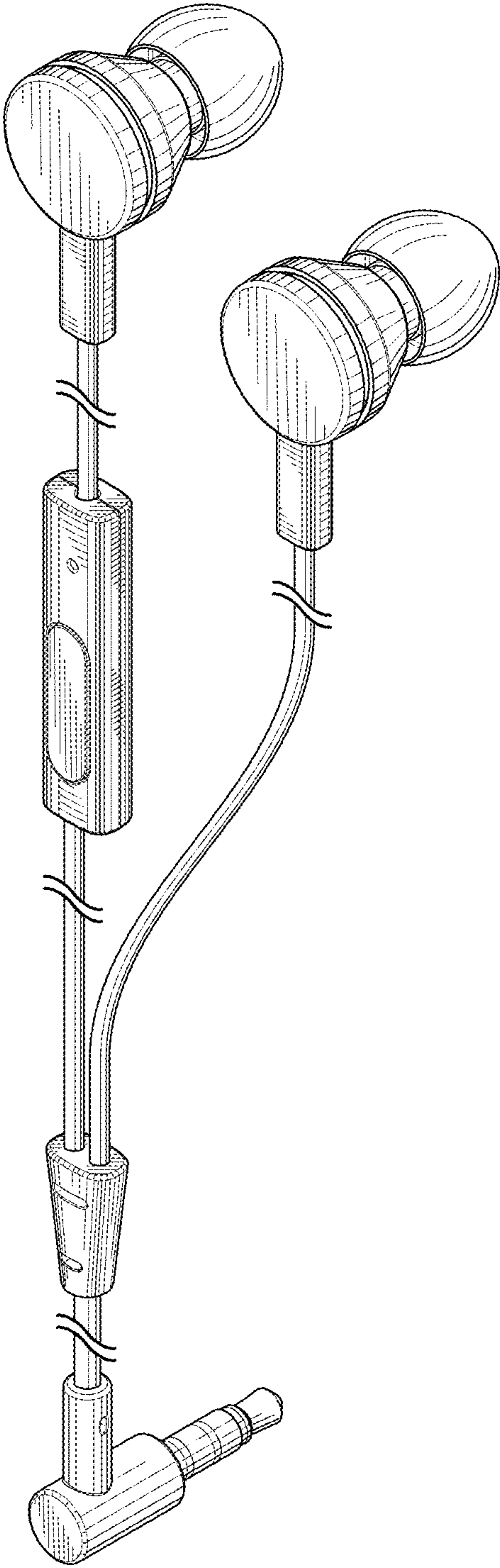


FIG.2

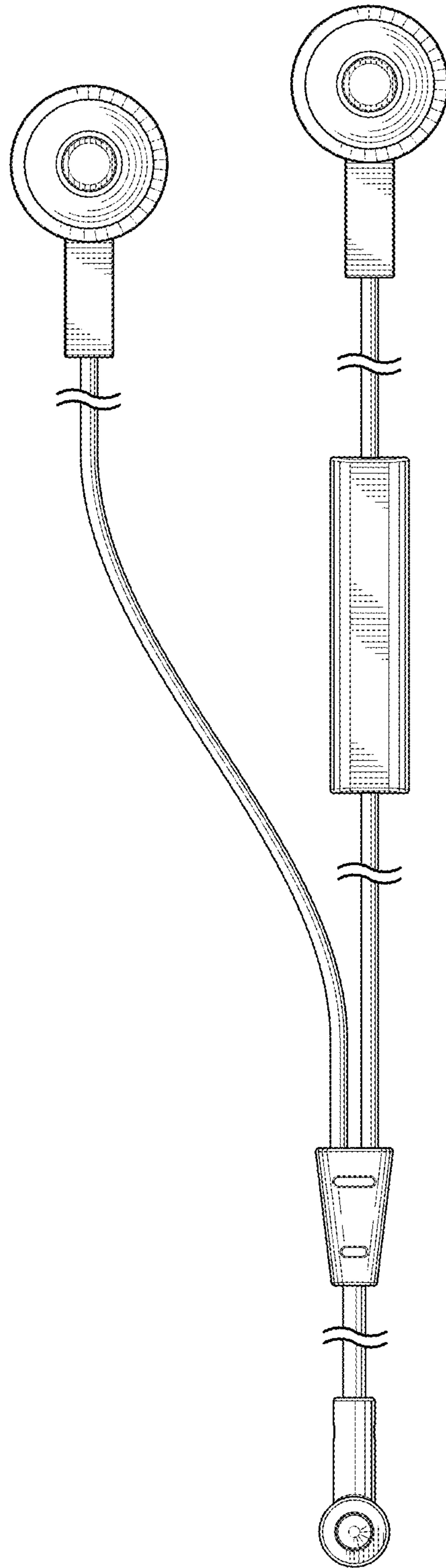
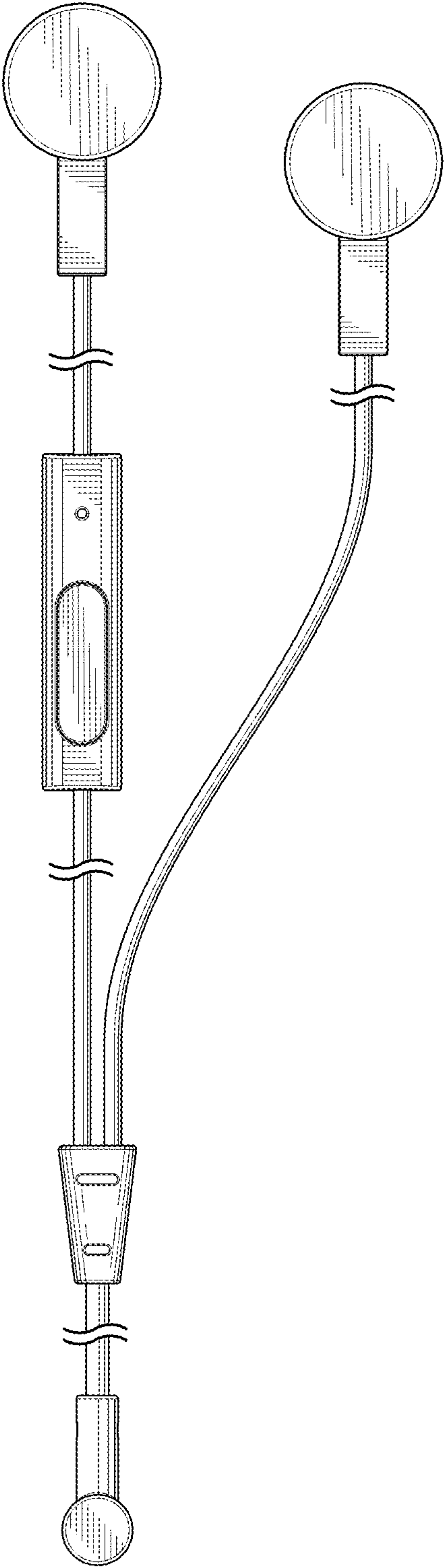


FIG.3

FIG.4



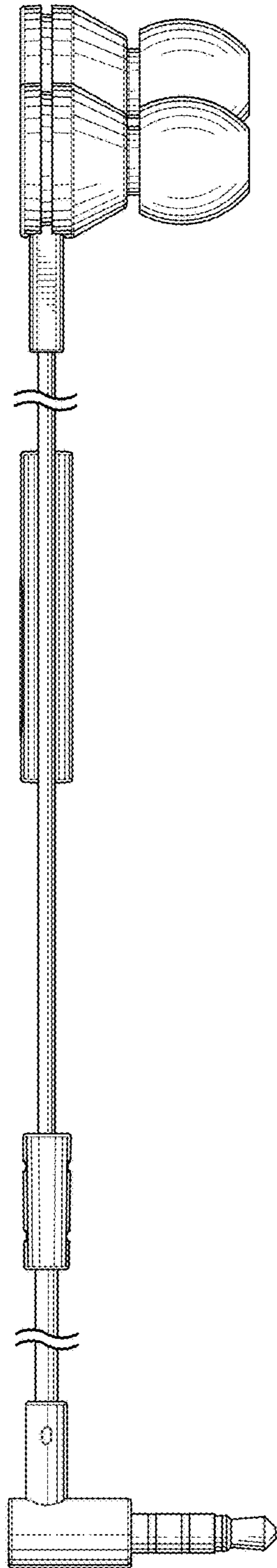


FIG. 5

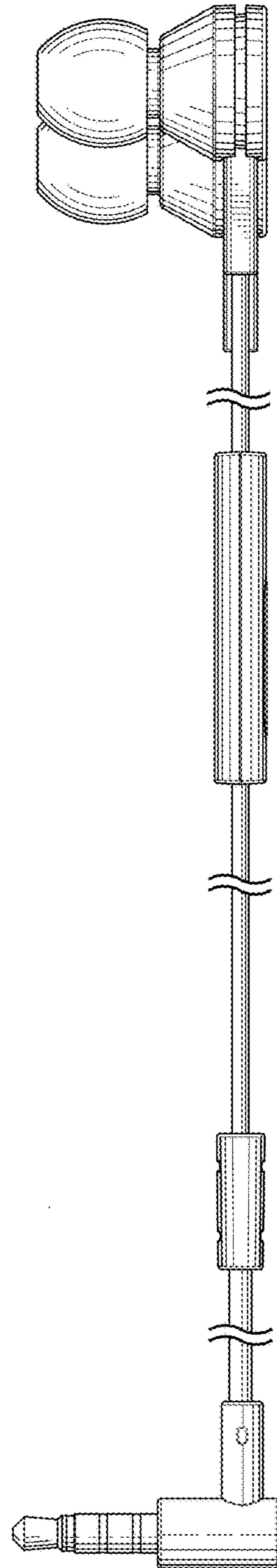


FIG. 6

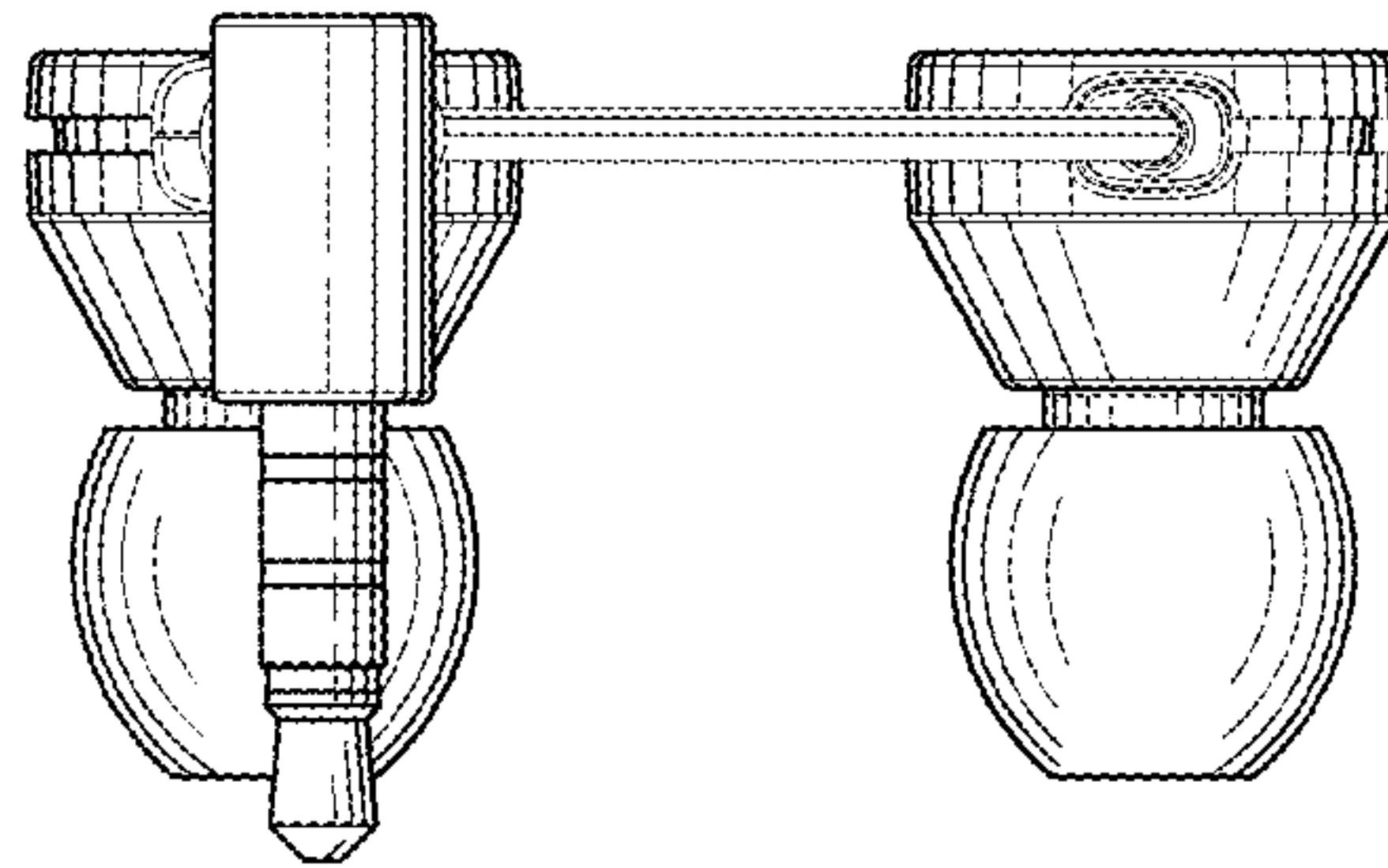


FIG. 7

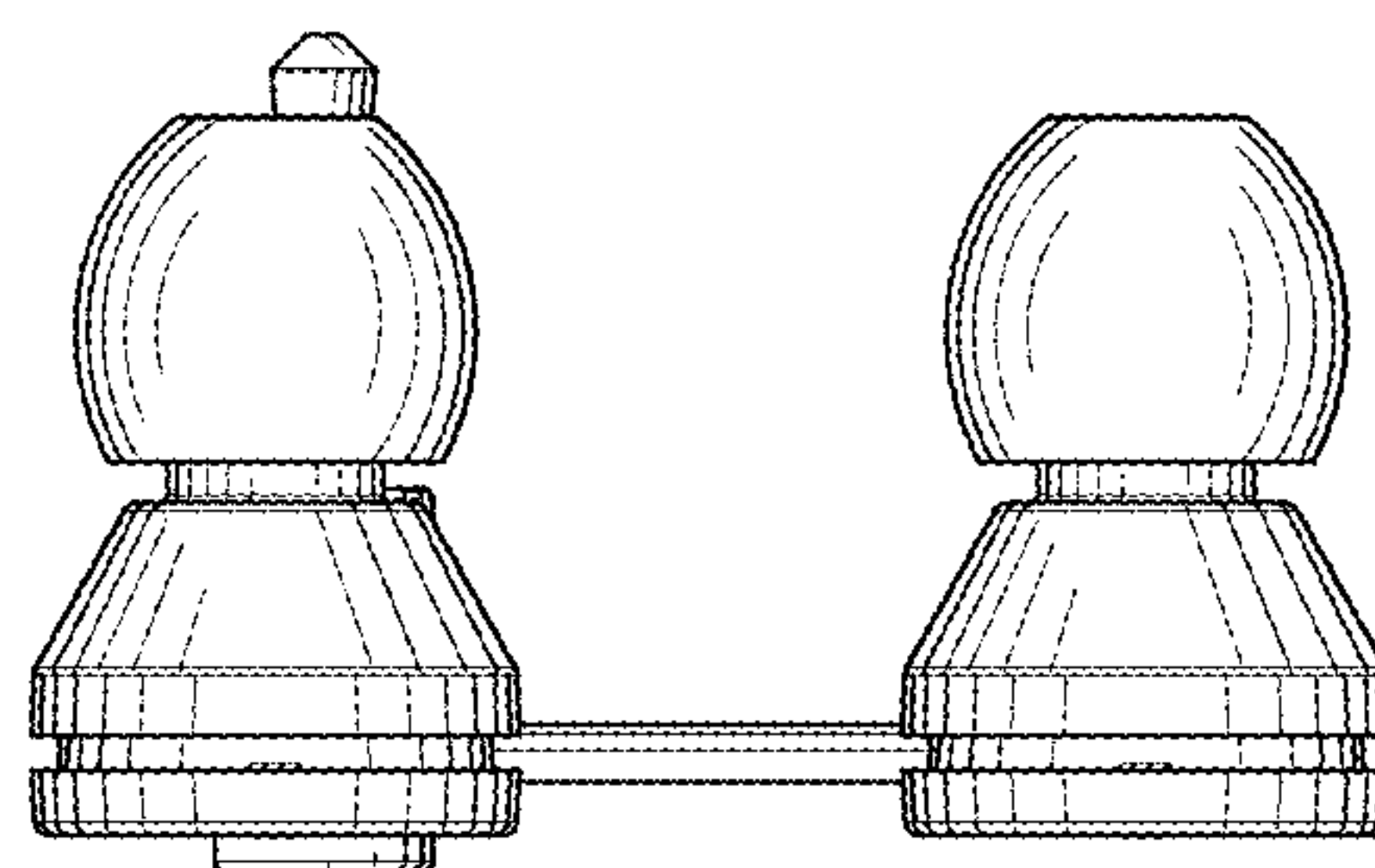


FIG. 8

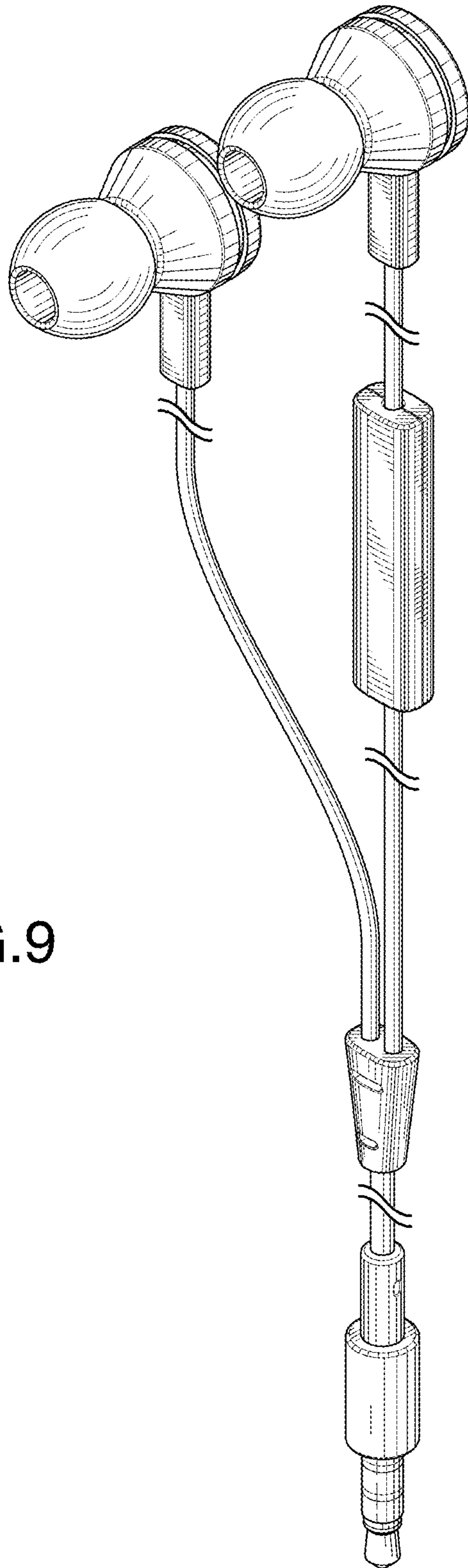


FIG.9

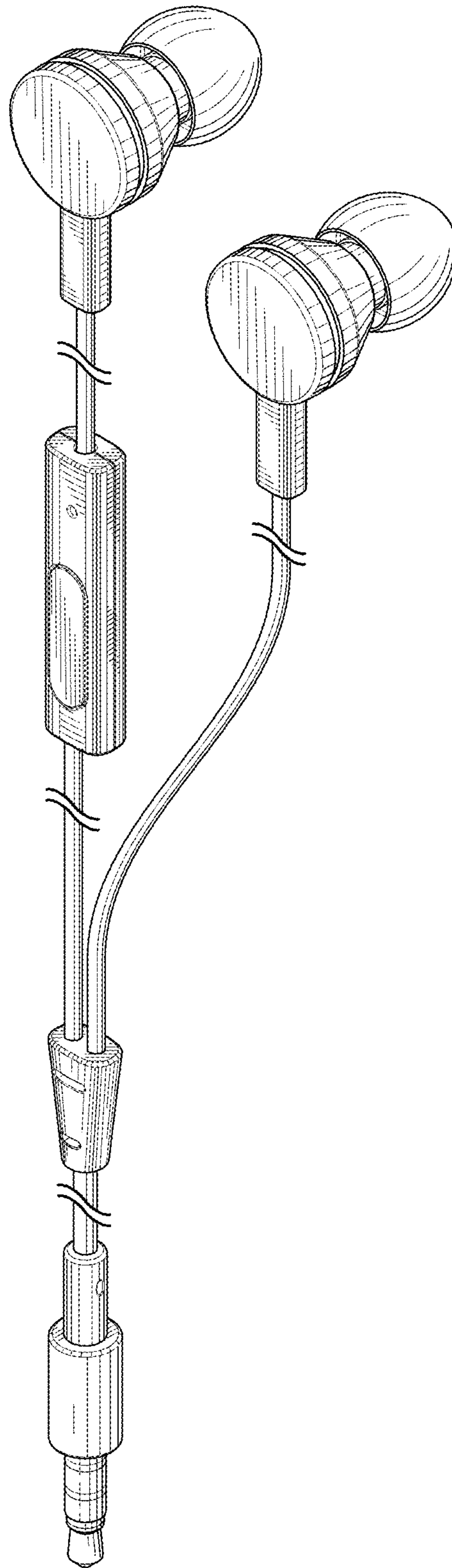


FIG.10

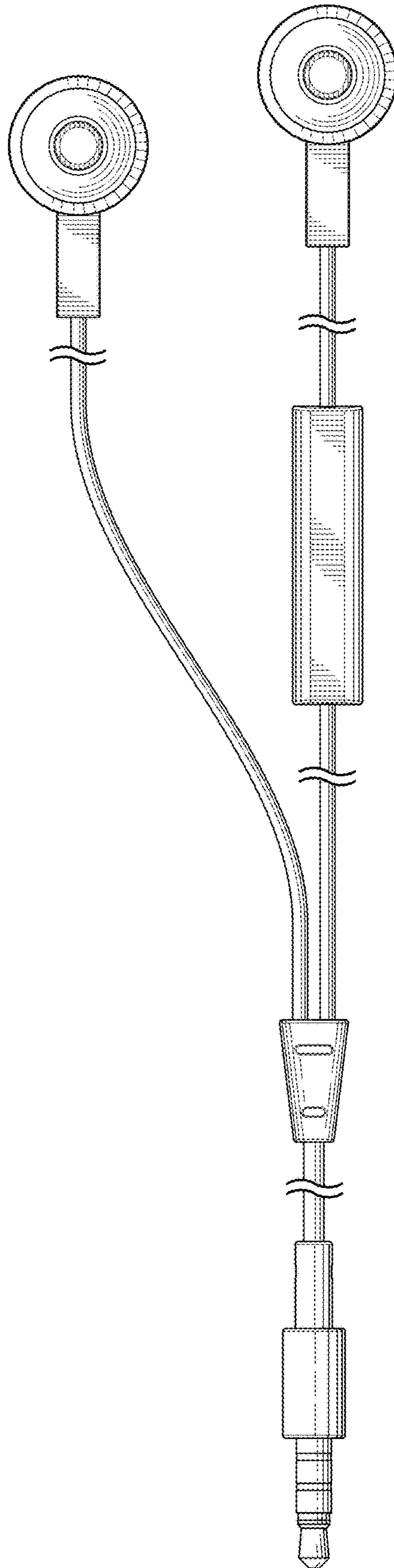


FIG.11

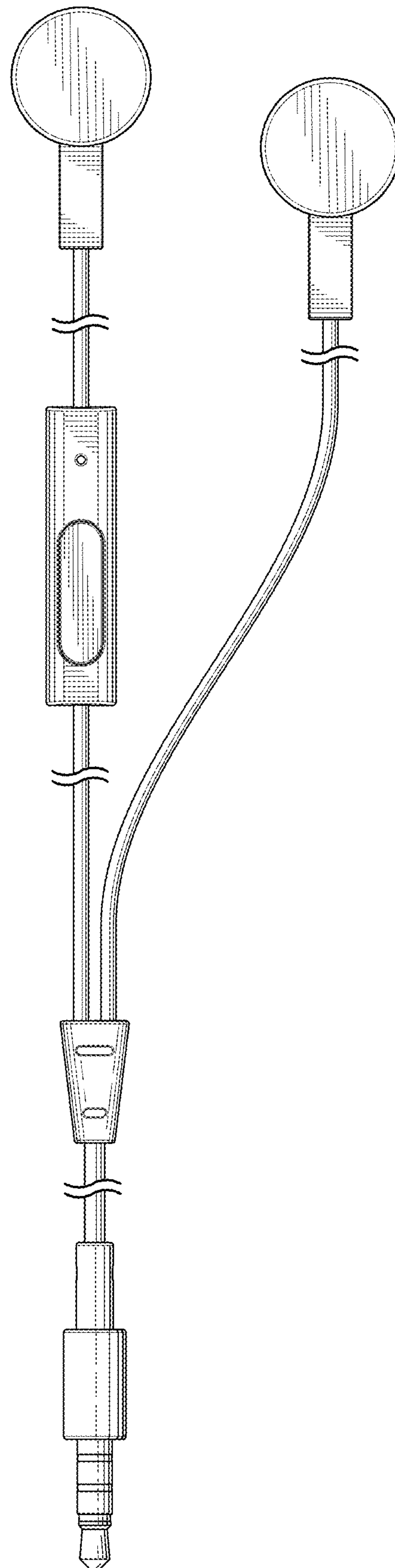


FIG.12

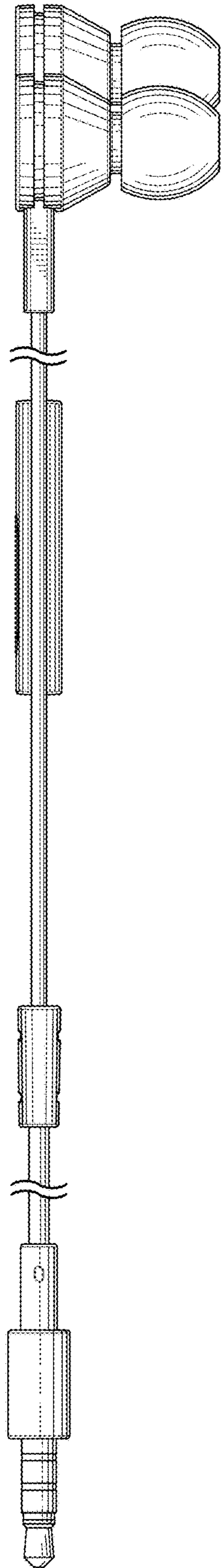


FIG. 13

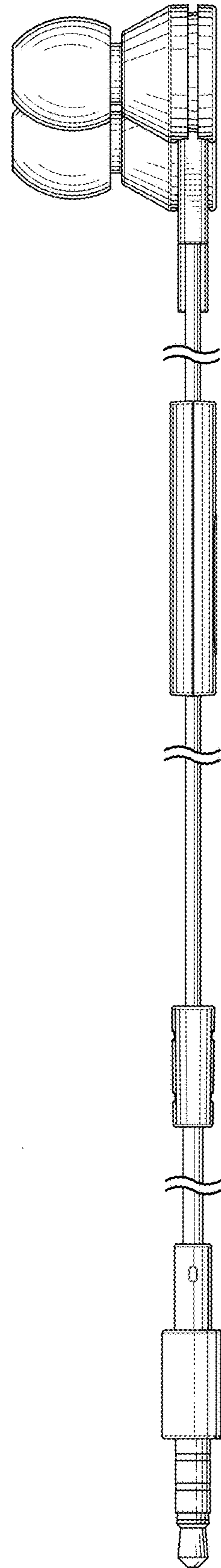


FIG. 14

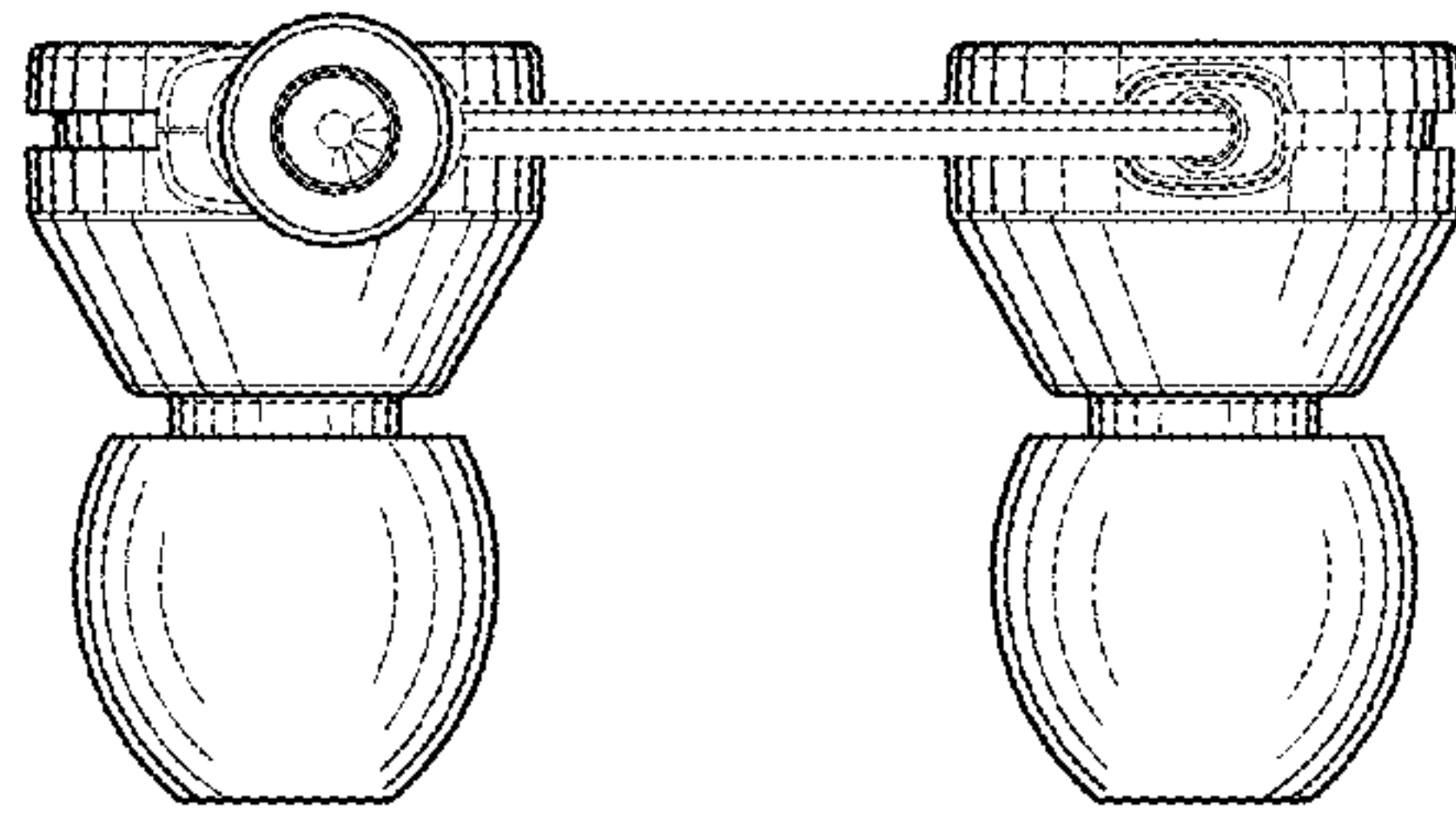


FIG. 15

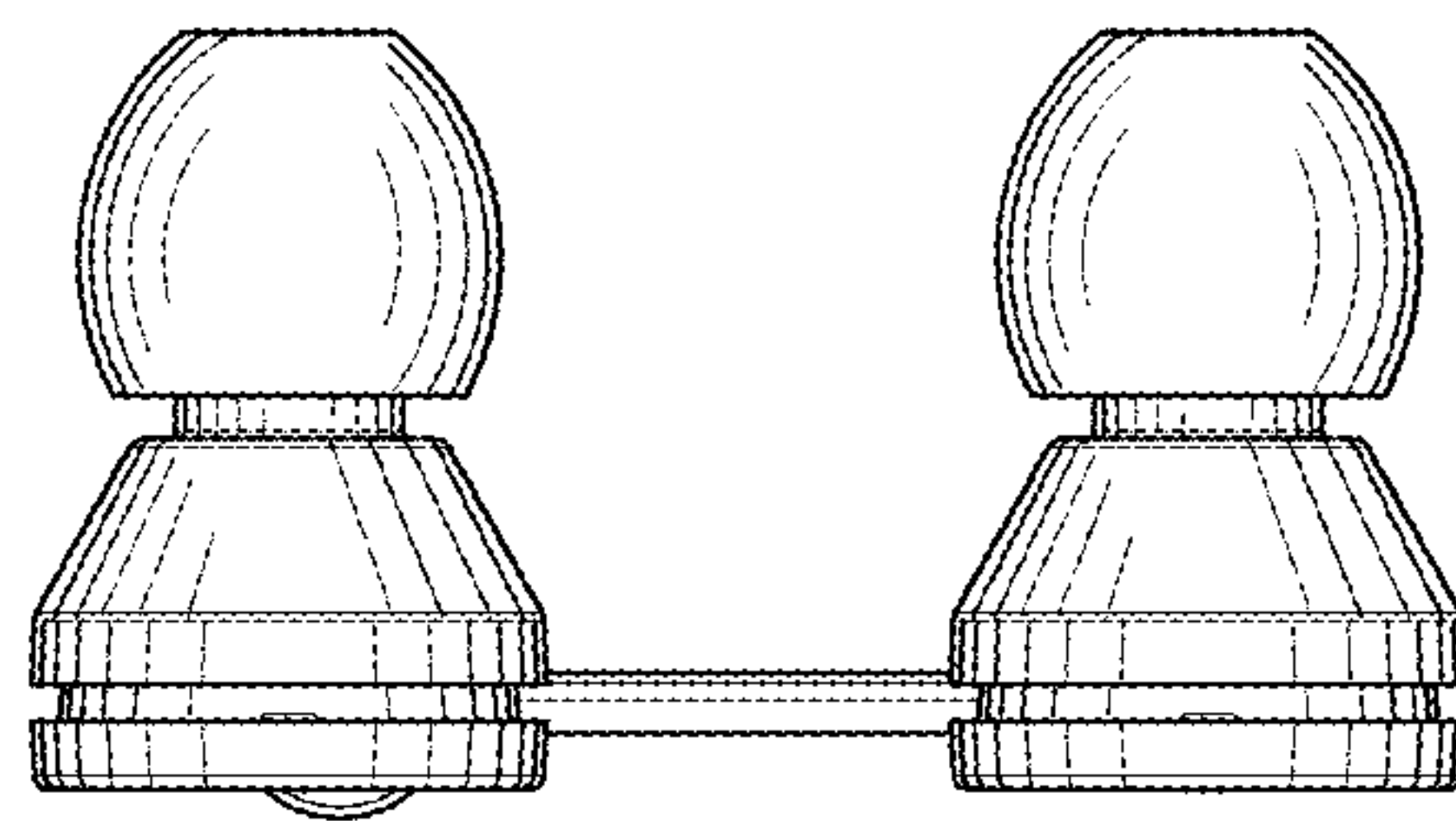


FIG. 16