



US00D777138S

(12) **United States Design Patent** (10) **Patent No.:** **US D777,138 S**
Fletcher et al. (45) **Date of Patent:** **** Jan. 24, 2017**

(54) **MONO HEADSET**

(71) Applicant: **BlackBerry Limited**, Waterloo (CA)

(72) Inventors: **Jodie Elizabeth Fletcher**, Ottawa (CA); **Brian Dennis Paschke**, Toronto (CA); **Alison Phillips**, Toronto (CA)

(73) Assignee: **BlackBerry Limited**, Waterloo, Ontario (CA)

(**) Term: **15 Years**

(21) Appl. No.: **29/540,297**

(22) Filed: **Sep. 23, 2015**

(51) **LOC (10) Cl.** **14-01**

(52) **U.S. Cl.**
USPC **D14/205**

(58) **Field of Classification Search**
USPC D14/205, 223; D13/153, 154, 168; D8/358;
174/117 R; 181/129, 130, 135; 379/430,
379/431; 381/380, 381, 370, 374, 384;
455/569.1, 90.3, 575.1
CPC H04R 25/00; H04R 1/10; H04R 1/1033;
H04R 5/033; H04R 5/0335; H04R 1/105
See application file for complete search history.

(56) **References Cited**

U.S. PATENT DOCUMENTS

1,837,723	A *	12/1931	McGraw	H01R 24/58 264/262
3,089,915	A *	5/1963	Plummer	H01B 9/024 101/415.1
3,626,360	A *	12/1971	Cole	H01R 24/58 439/669
D244,611	S *	6/1977	Gietzen	D13/133
4,646,872	A *	3/1987	Kamon	H04R 1/225 181/129
5,410,608	A *	4/1995	Lucey	H04R 1/083 381/360

(Continued)

Primary Examiner — Paula Greene

(74) *Attorney, Agent, or Firm* — Jon Gibbons; Fleit Gibbons Gutman Bongini & Bianco P.L.

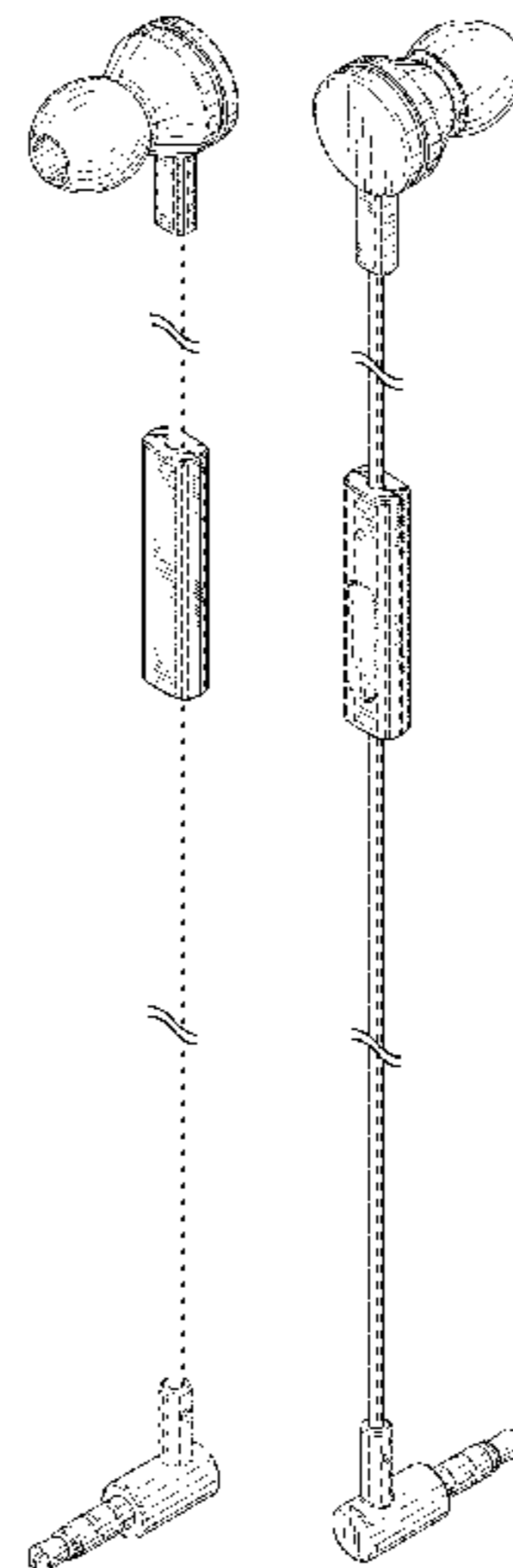
(57) **CLAIM**

The ornamental design for a mono headset, as shown and described.

DESCRIPTION

FIG. 1 is a first perspective view of the mono headset; FIG. 2 is a second perspective view thereof; FIG. 3 is a first elevational view thereof; FIG. 4 is a second elevational view thereof; FIG. 5 is a first side elevational view thereof; FIG. 6 is a second side elevational view thereof; FIG. 7 is a plan view showing the first end thereof; FIG. 8 is a plan view showing the second end thereof, wherein the cord of the mono headset is shown in FIGS. 1 to 6 with symbolic breaks to indicate an indeterminate length; FIG. 9 is a first perspective view of another example of the mono headset; FIG. 10 is a second perspective view thereof; FIG. 11 is a first elevational view thereof; FIG. 12 is a second elevational view thereof; FIG. 13 is a first side elevational view thereof; FIG. 14 is a second side elevational view thereof; FIG. 15 is a plan view showing the first end thereof; and, FIG. 16 is a plan view showing the second end thereof, wherein the cord of the mono headset is shown in FIGS. 9 to 14 with symbolic breaks to indicate an indeterminate length. The symbolic breaks and portions of the mono headset between adjacent symbolic break indications form no part of the claimed design.

1 Claim, 12 Drawing Sheets



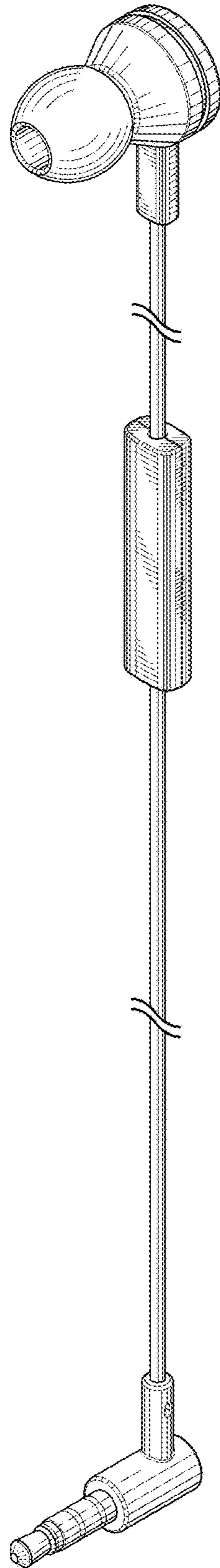


FIG. 1

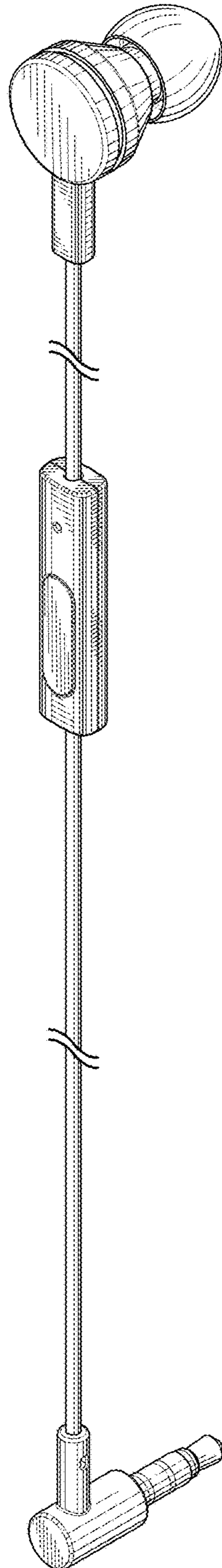


FIG.2

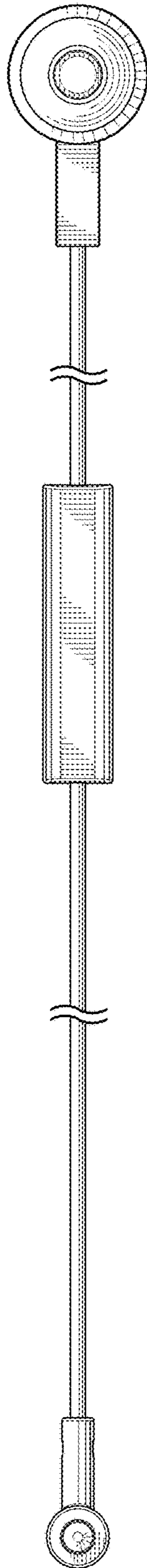


FIG.3

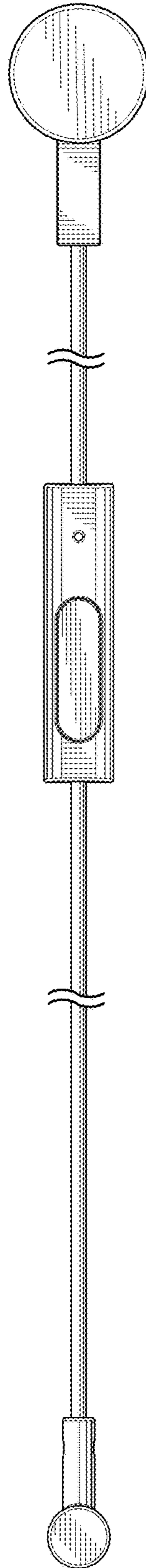


FIG.4

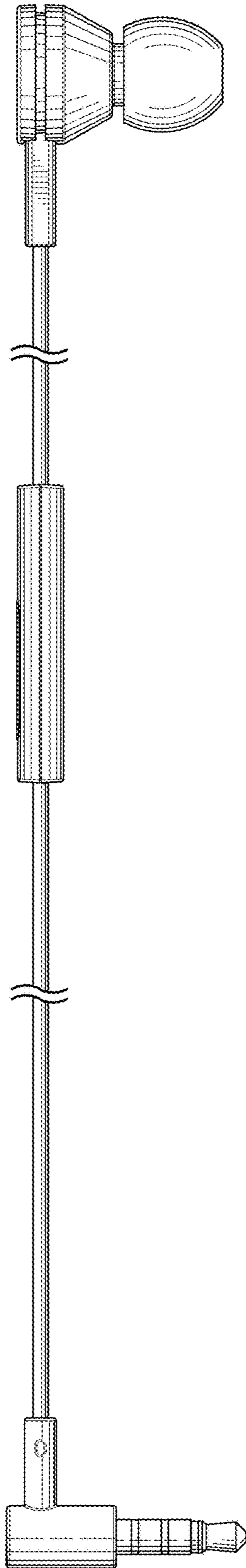


FIG. 5

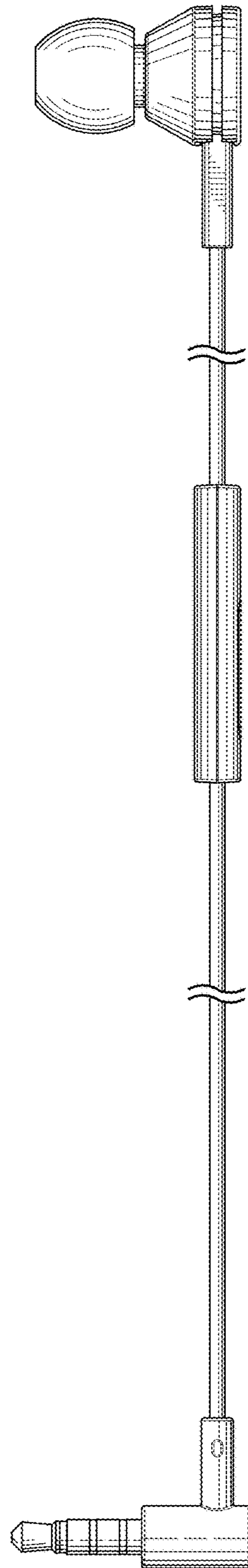


FIG. 6

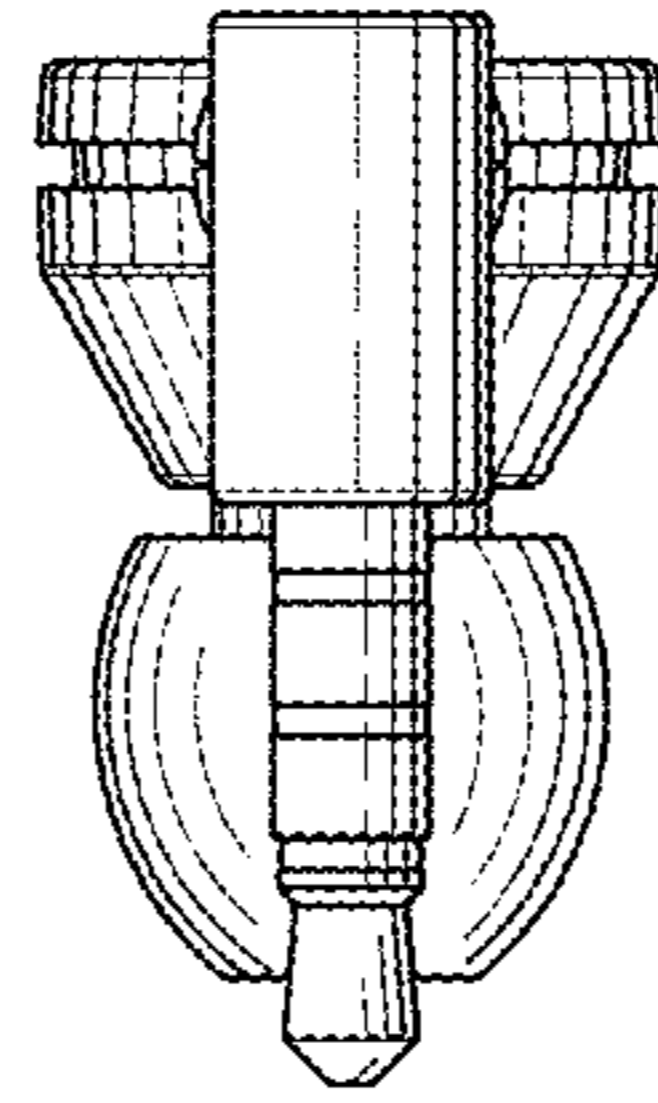


FIG. 7

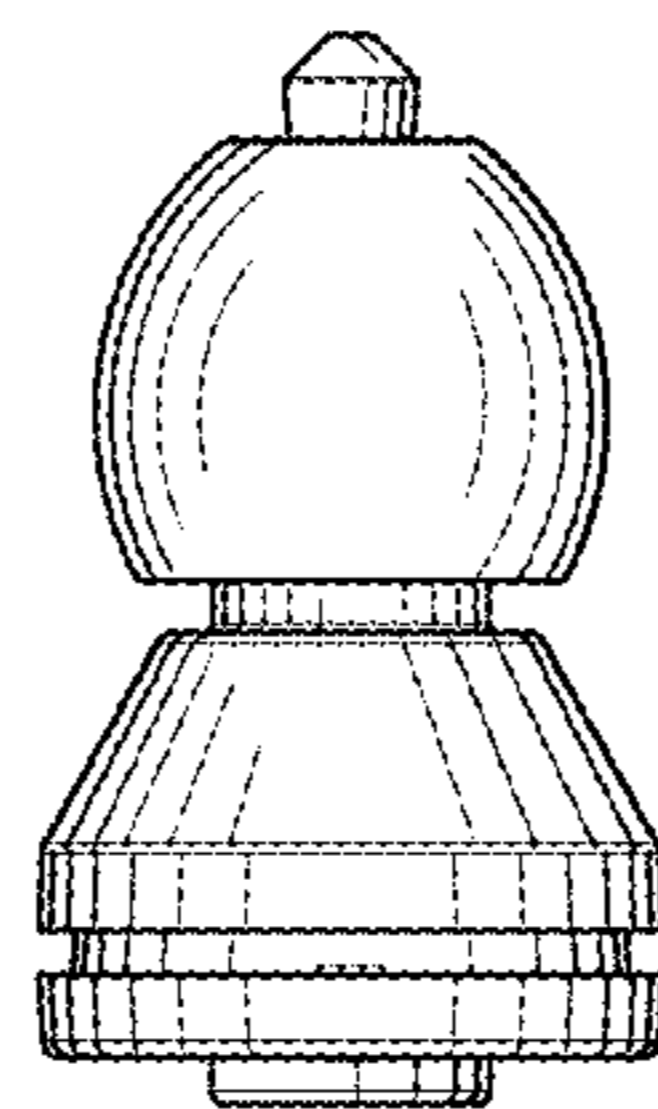


FIG. 8

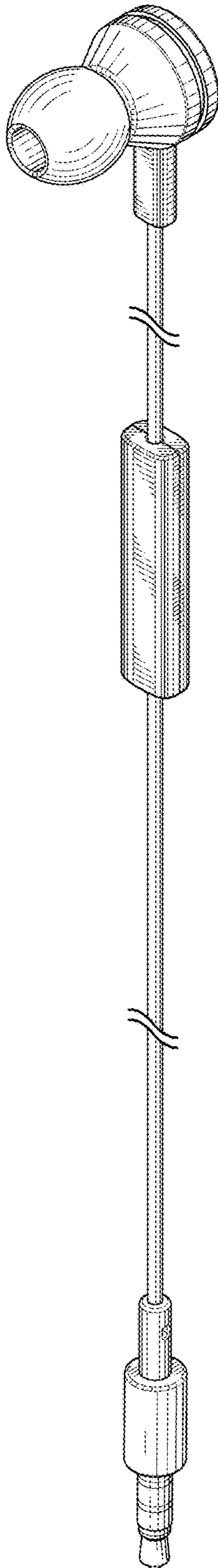


FIG.9

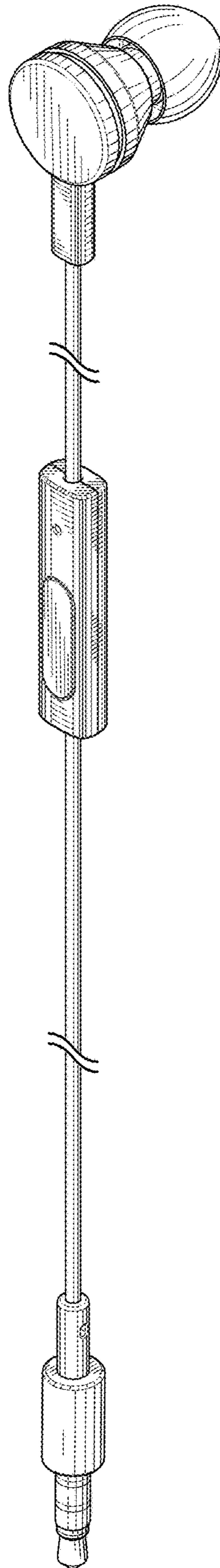


FIG.10

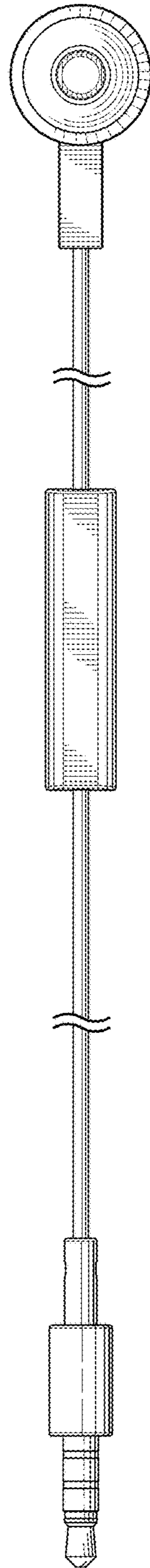


FIG.11

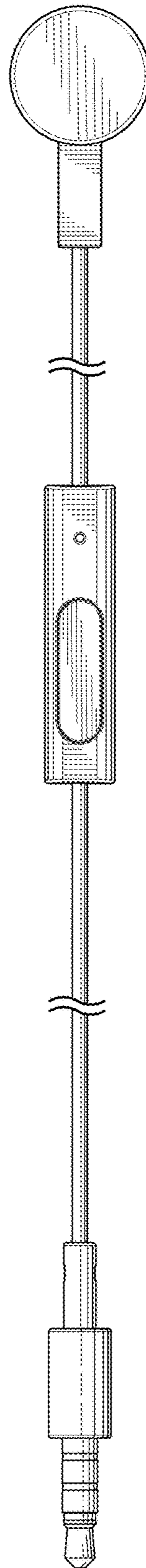


FIG.12

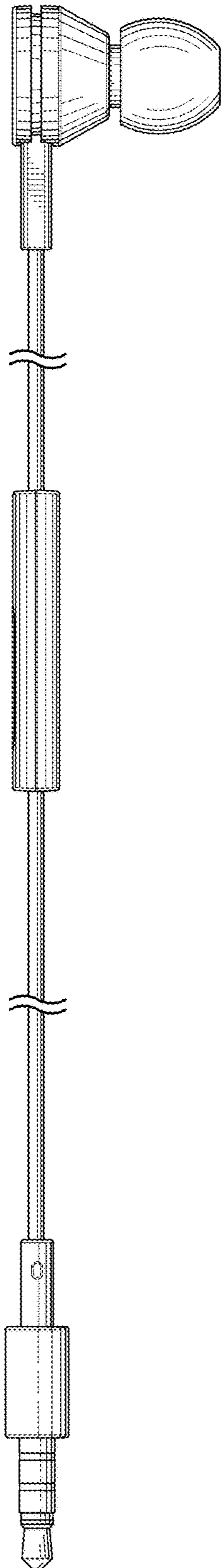


FIG. 13

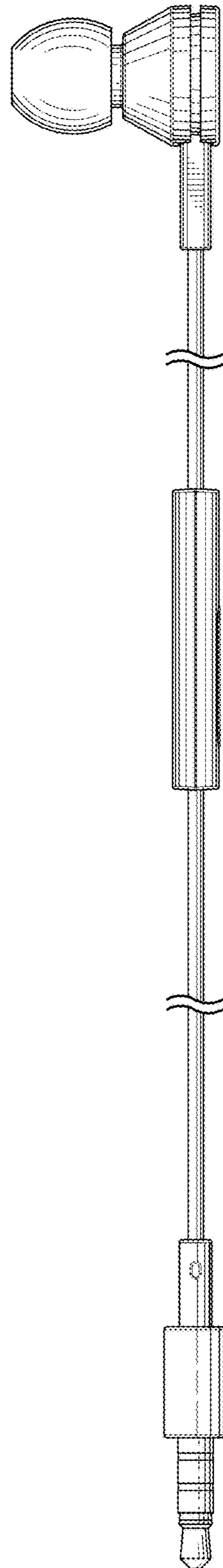


FIG. 14

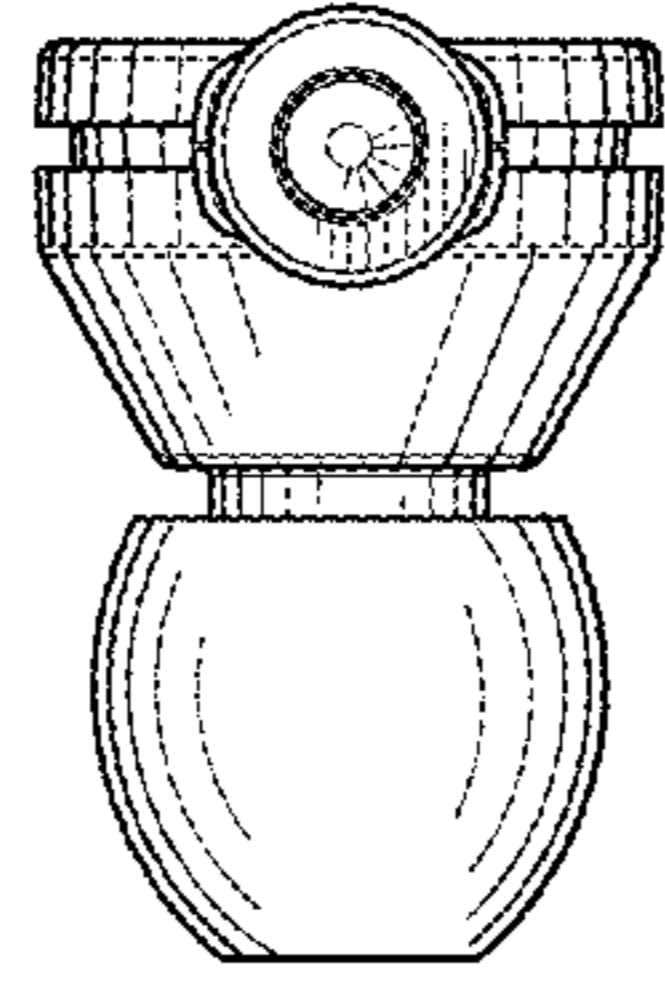


FIG.15

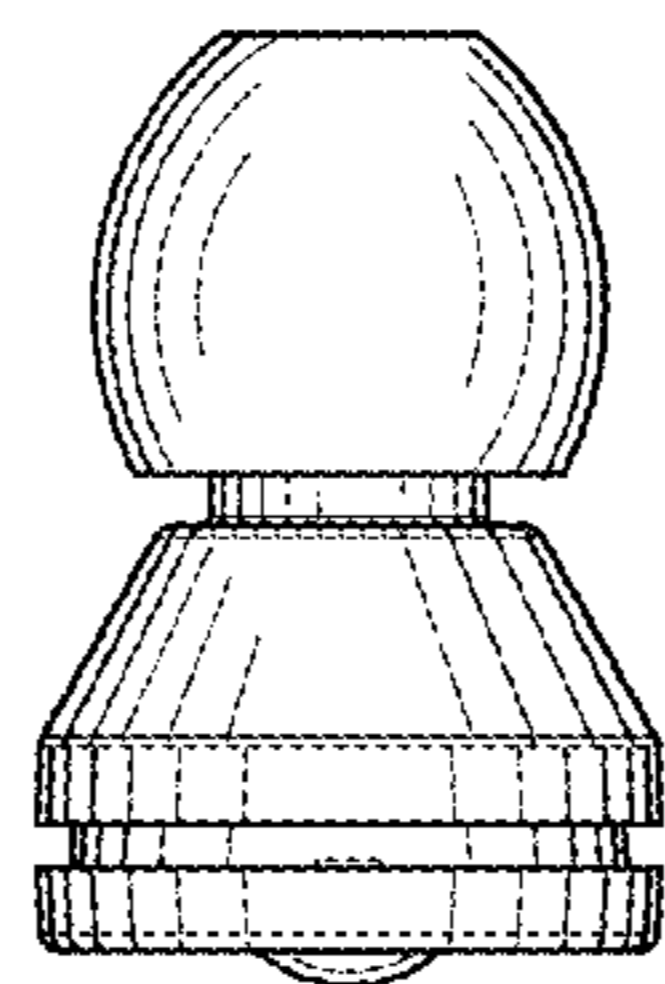


FIG.16