



US00D777134S

(12) **United States Design Patent**
Hachiya

(10) **Patent No.:** **US D777,134 S**

(45) **Date of Patent:** **** Jan. 24, 2017**

(54) **ELECTRONIC DEVICE**

(71) Applicant: **KYOCERA Corporation**, Kyoto-shi,
Kyoto (JP)

(72) Inventor: **Hidetoshi Hachiya**, Osaka (JP)

(73) Assignee: **KYOCERA Corporation**, Kyoto-shi,
Kyoto (JP)

(**) Term: **15 Years**

(21) Appl. No.: **29/526,777**

(22) Filed: **May 13, 2015**

(30) **Foreign Application Priority Data**

Apr. 8, 2015 (JP) 2015-007965

(51) **LOC (10) Cl.** **14-03**

(52) **U.S. Cl.**
USPC **D14/138 G**

(58) **Field of Classification Search**
USPC D14/138 R, 138 AA, 138 AB, 138 AC,
D14/138 AD, 138 G, 248, 341-347
CPC H04M 1/0202; H04M 1/0235; H04M 1/0237;
H04M 1/0239; H04M 2250/52
See application file for complete search history.

(56) **References Cited**

U.S. PATENT DOCUMENTS

D648,301 S * 11/2011 Zuffo D14/138 AA
D694,213 S * 11/2013 Park D14/138 G
D703,171 S * 4/2014 Oh D14/138 G
D721,670 S * 1/2015 Lee D14/138 G

D723,495 S * 3/2015 Jeong D14/138 G
D723,499 S * 3/2015 Nishikawa D14/138 G
D723,500 S * 3/2015 Takahashi D14/138 G
D724,046 S * 3/2015 Sawada D14/138 G
D738,844 S * 9/2015 Lee D14/138 AD

OTHER PUBLICATIONS

gsmarena.com, Retrieved on May 12, 2015, from URL: http://www.gsmarena.com/samsung_galaxy_s5_active-6356.php.
gsmarena.com, Retrieved on May 12, 2015, from URL: http://www.gsmarena.com/samsung_galaxy_tab_active-6659.php.
sonimtech.ca, Retrieved on May 12, 2015, from URL: <http://www.sonimtech.ca/xp7/xp7.php>.

* cited by examiner

Primary Examiner — Deanna L Pratt

(74) *Attorney, Agent, or Firm* — Kenja IP Law PC

(57) **CLAIM**

The ornamental design for an electronic device, as shown and described.

DESCRIPTION

FIG. 1 is a front perspective view of an electronic device showing my new design;
FIG. 2 is a rear perspective view thereof;
FIG. 3 is a front view thereof;
FIG. 4 is a rear view thereof;
FIG. 5 is a top plan view thereof;
FIG. 6 is a bottom view thereof;
FIG. 7 is a right side view thereof; and,
FIG. 8 is a left side view thereof.

1 Claim, 8 Drawing Sheets

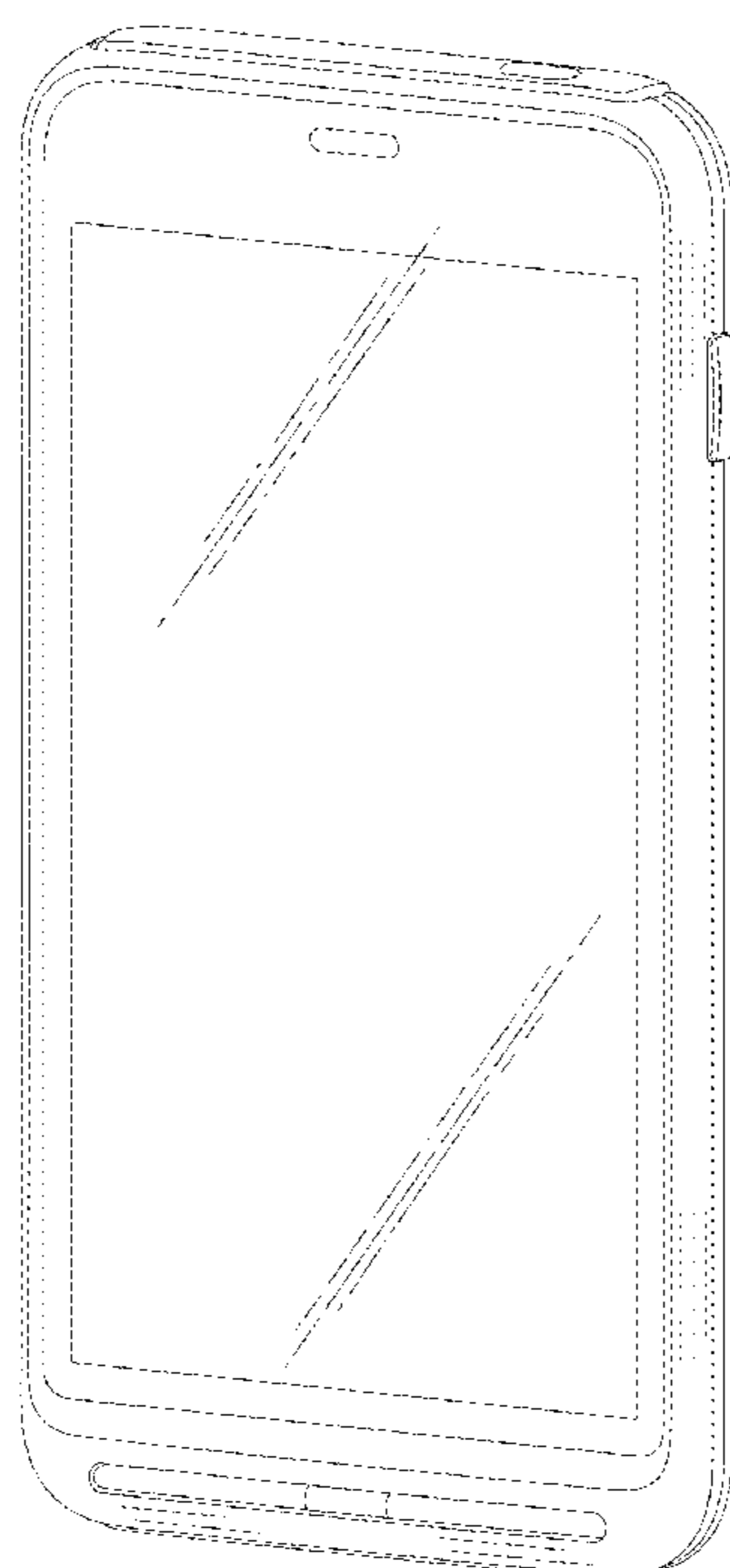


FIG. 1

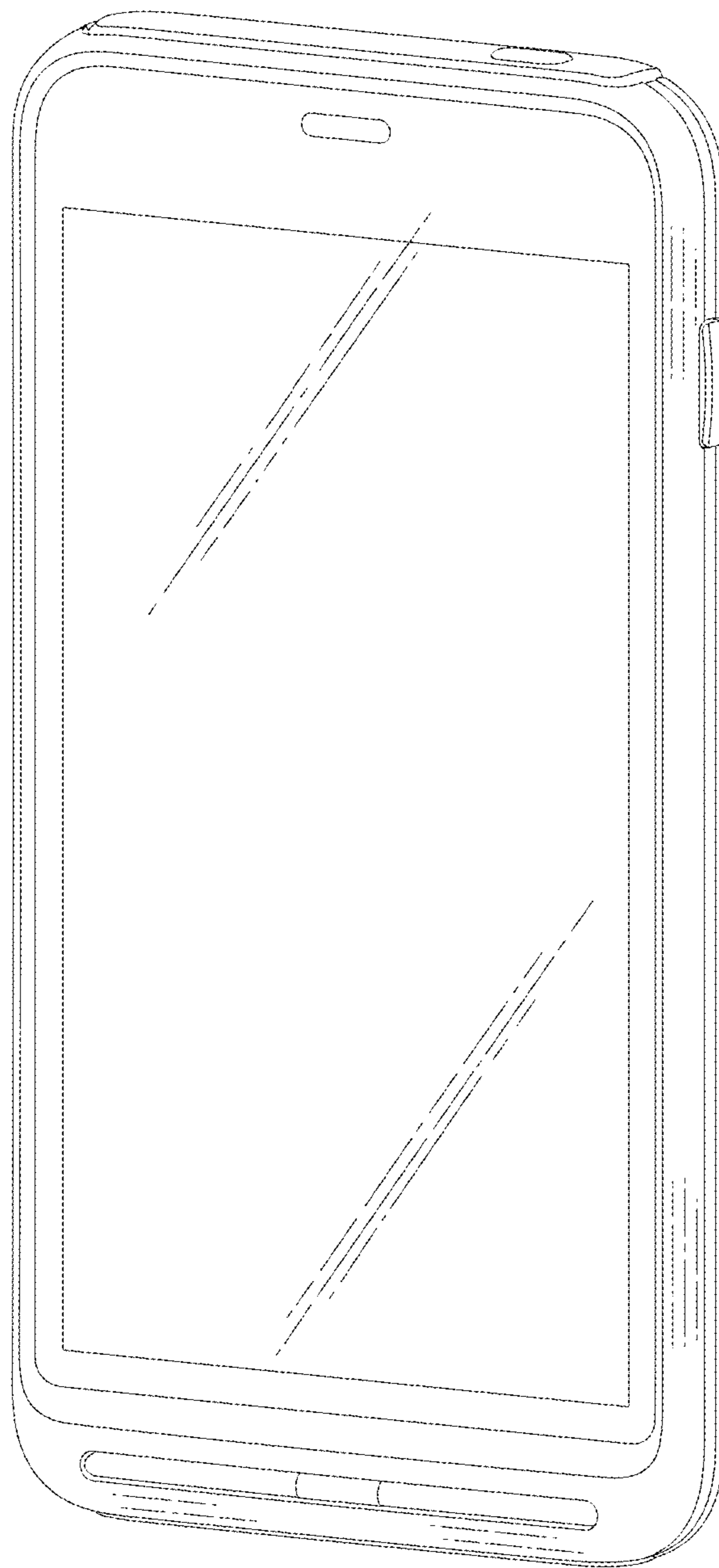


FIG. 2

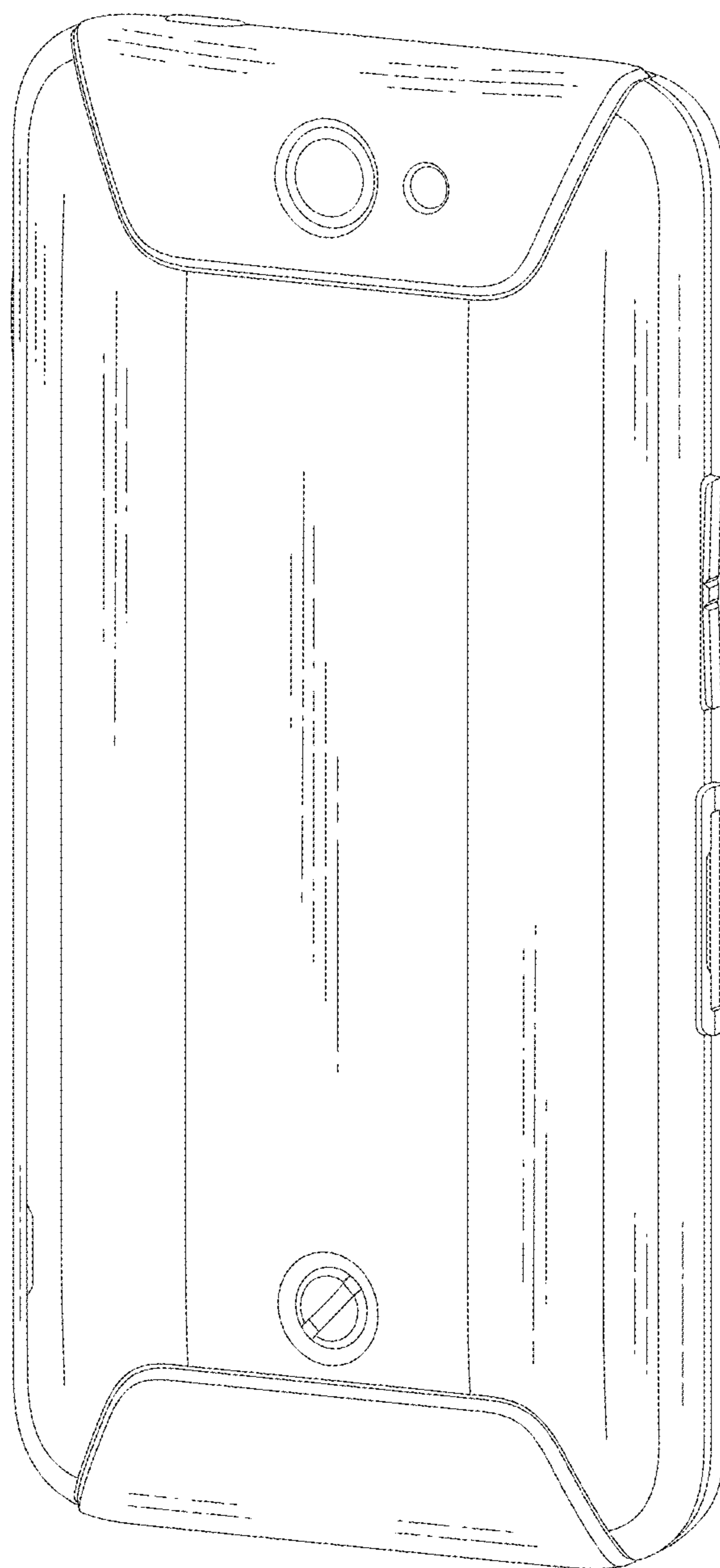


FIG. 3

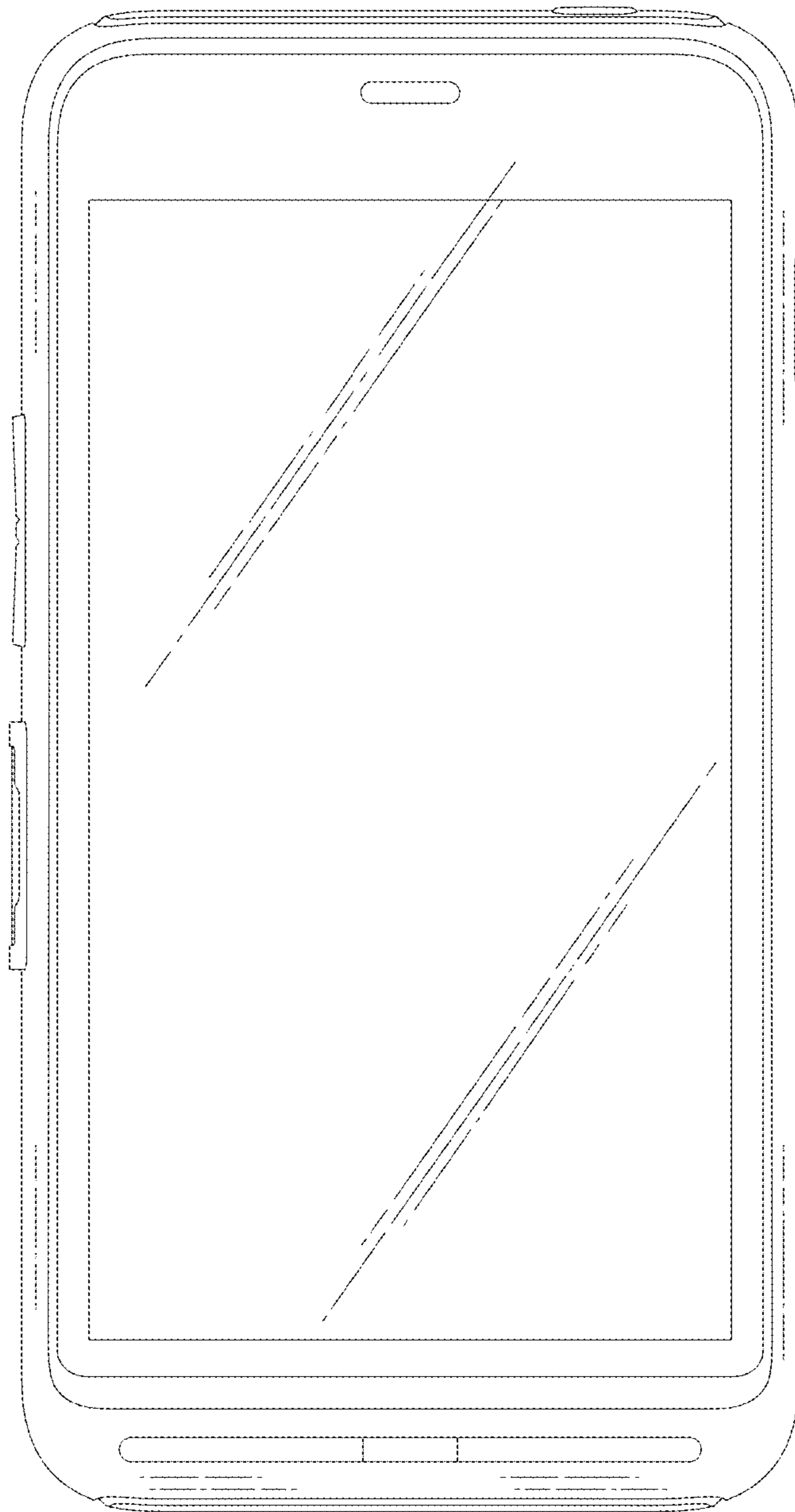


FIG. 4

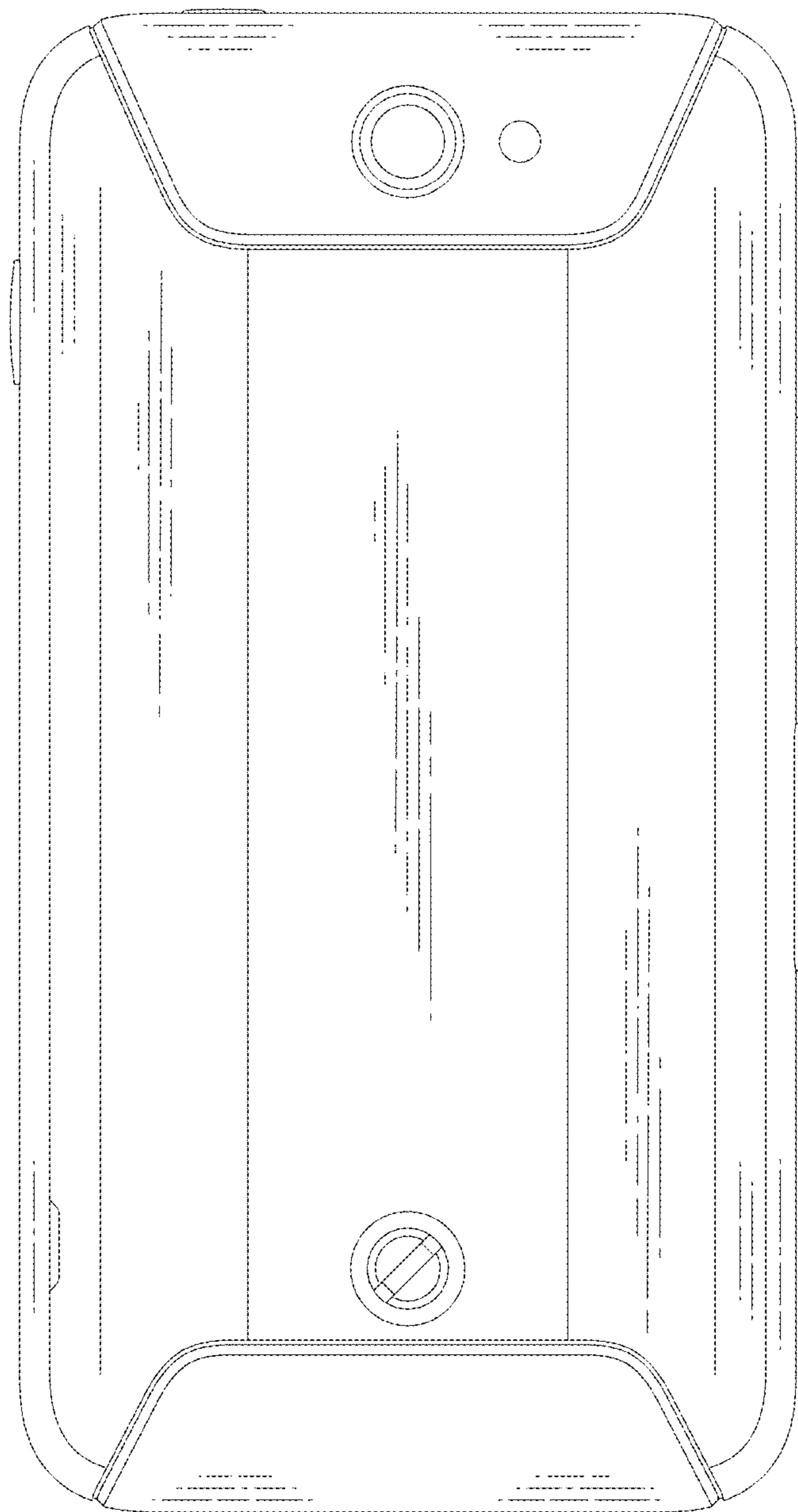


FIG. 5

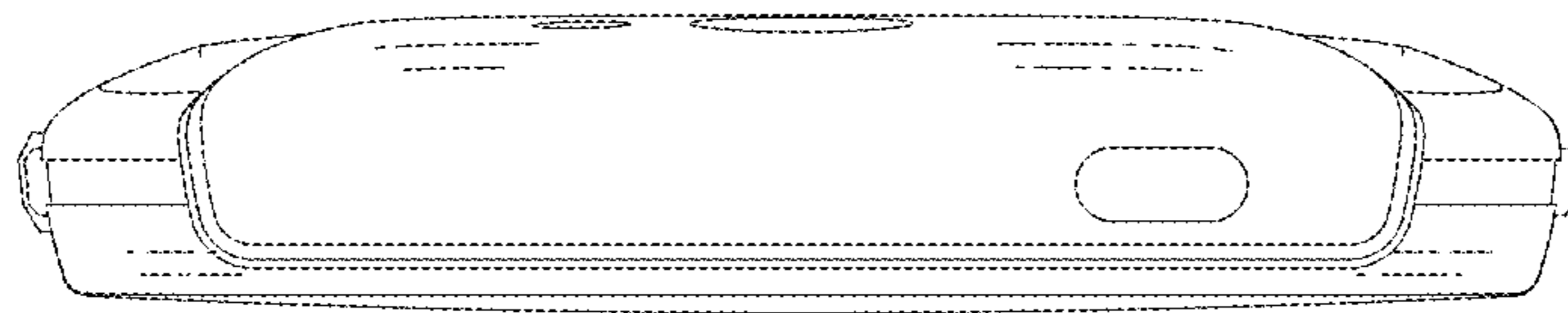


FIG. 6

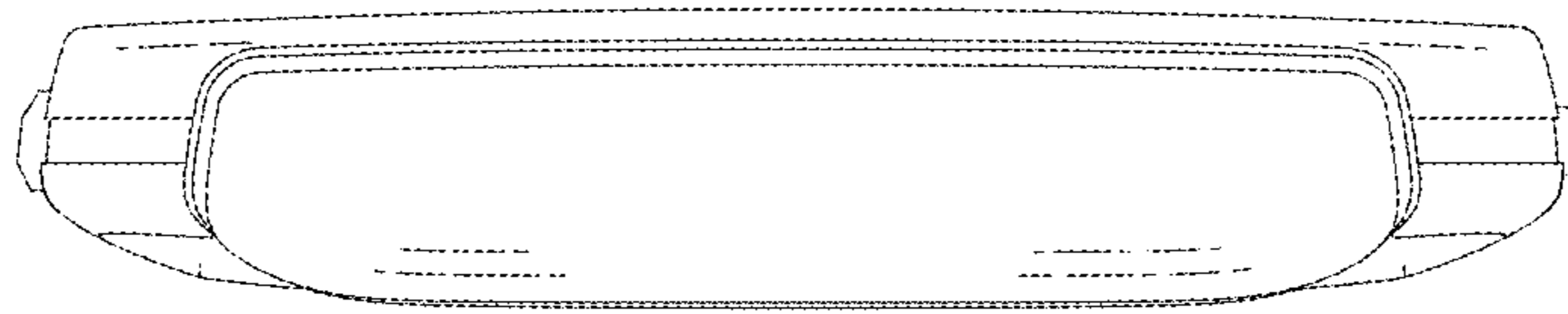


FIG. 7

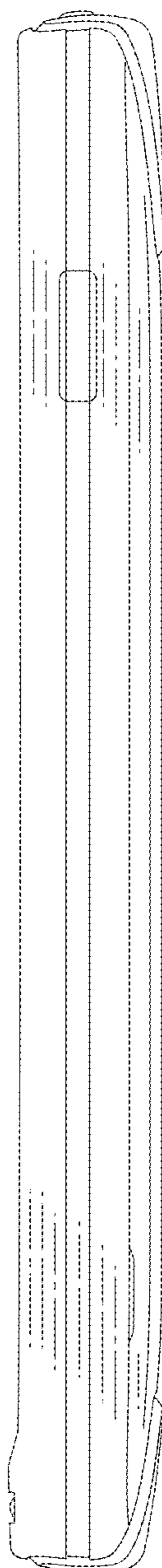


FIG. 8

