



US00D777128S

(12) **United States Design Patent**
Kim et al.

(10) **Patent No.:** **US D777,128 S**

(45) **Date of Patent:** **** Jan. 24, 2017**

(54) **TELEVISION RECEIVER**

(71) Applicant: **Samsung Electronics Co., Ltd.**,
Suwon-si (KR)

(72) Inventors: **Jang-Ho Kim**, Seoul (KR); **Chul-Yong Cho**, Seoul (KR); **Sang-Yong Park**,
Bucheon-si (KR); **Ki-Hong Kim**,
Goyang-si (KR)

(73) Assignee: **Samsung Electronics Co., Ltd.**,
Suwon-si (KR)

(**) Term: **15 Years**

(21) Appl. No.: **29/567,904**

(22) Filed: **Jun. 14, 2016**

(30) **Foreign Application Priority Data**

Dec. 21, 2015 (KR) 30-2015-0065257

(51) **LOC (10) Cl.** **14-03**

(52) **U.S. Cl.**
USPC **D14/126**

(58) **Field of Classification Search**

USPC D14/125-134, 239, 371, 136, 374-377,
D14/440, 450, 448, 336, 342, 159;
312/7.2; 348/836, 838, 180, 184, 325,
348/739; 248/917-924, 465; 345/104,
345/133, 156, 168, 87, 173; D21/329,
D21/515, 577, 622, 333, 433, 448, 452,
D21/450, 331, 505; D10/15, 26; 446/484,
446/175, 356; D6/477, 479, 300; D20/10,
D20/19, 39; D16/203, 241; 160/24
CPC G06F 1/1601; G06F 1/1643; G06F 1/1652;
G06F 1/1647; G06F 3/0412; H05K
5/0004; H05K 5/0017; H05K 5/02; H05K
5/0217; H04N 13/0459

See application file for complete search history.

(56) **References Cited**

U.S. PATENT DOCUMENTS

D555,122 S 11/2007 Solomon et al.
D670,257 S * 11/2012 Yang D14/126

D680,106 S * 4/2013 Hwangbo D14/239
D716,244 S * 10/2014 Kim D14/126
D727,865 S * 4/2015 Moon D14/126
D729,755 S 5/2015 McManigal et al.
D731,994 S * 6/2015 Won D14/126
D735,153 S * 7/2015 Snyder D14/126
D748,596 S * 2/2016 McManigal D14/126
D749,532 S * 2/2016 McManigal D14/126
D751,519 S * 3/2016 Ma D14/126
D757,667 S * 5/2016 Yokota D14/126

FOREIGN PATENT DOCUMENTS

EM 002371955-0001 10/2006
EM 000594585-0004 2/2014
KR 30-2014-000759 9/2014

* cited by examiner

Primary Examiner — Raphael Barkai

(74) *Attorney, Agent, or Firm* — NSIP Law

(57) **CLAIM**

We claim the ornamental design for a television receiver, as shown and described.

DESCRIPTION

FIG. 1 is a front perspective view of a television receiver showing our new design;
FIG. 2 is a front view thereof;
FIG. 3 is a rear view thereof;
FIG. 4 is a left-side view thereof;
FIG. 5 is a right-side view thereof;
FIG. 6 is a top view thereof;
FIG. 7 is a bottom view thereof;
FIG. 8 is a rear perspective view thereof;
FIG. 9 is another right-side view of the television receiver to show that the stand portion can be moved to alternate positions; and,
FIG. 10 is another rear perspective view of the television receiver to show that the stand feature can be stored on the bottom side.

The broken lines in the figures depict environmental subject matter and form no part of the claimed design.

1 Claim, 8 Drawing Sheets

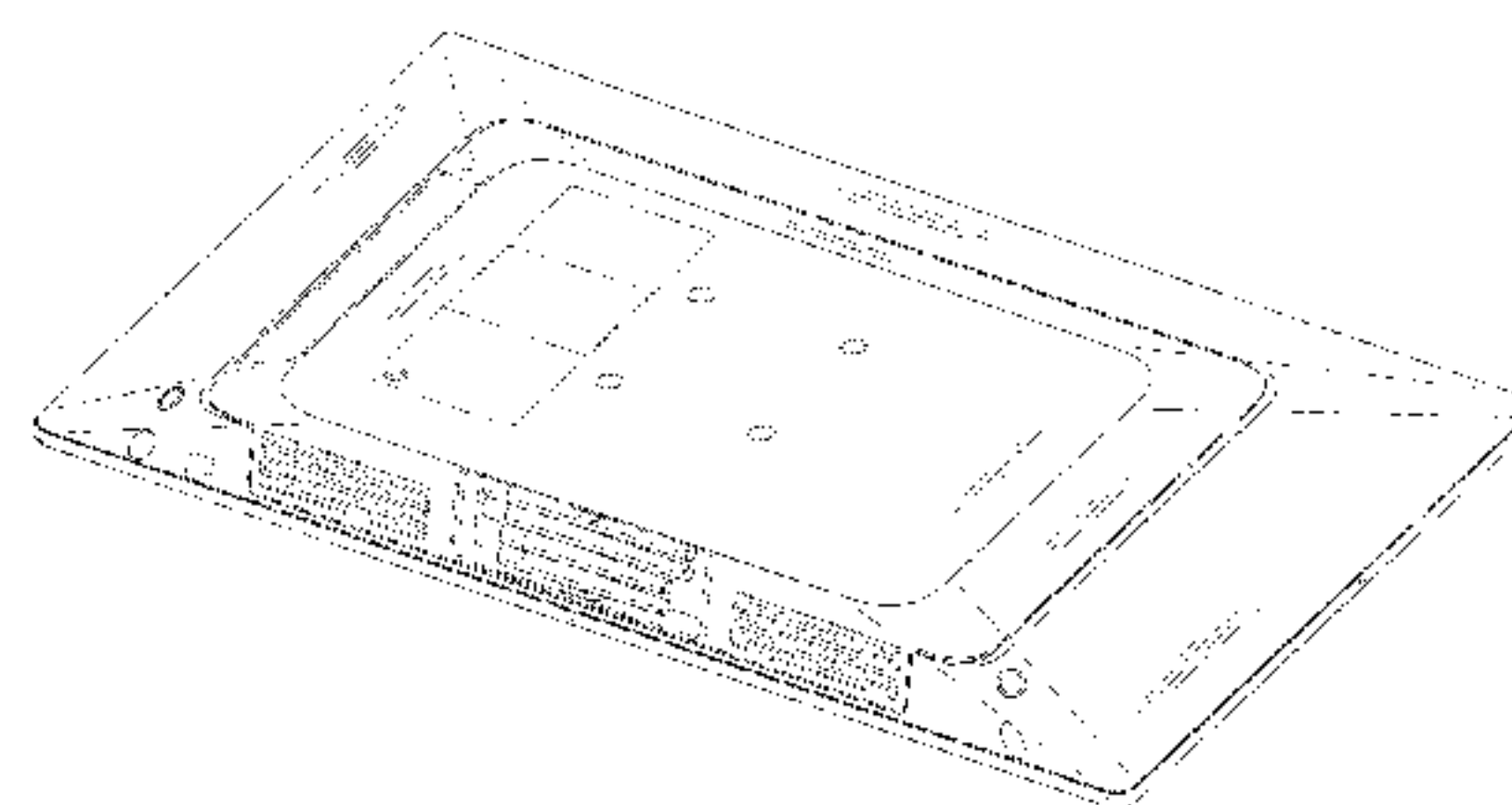
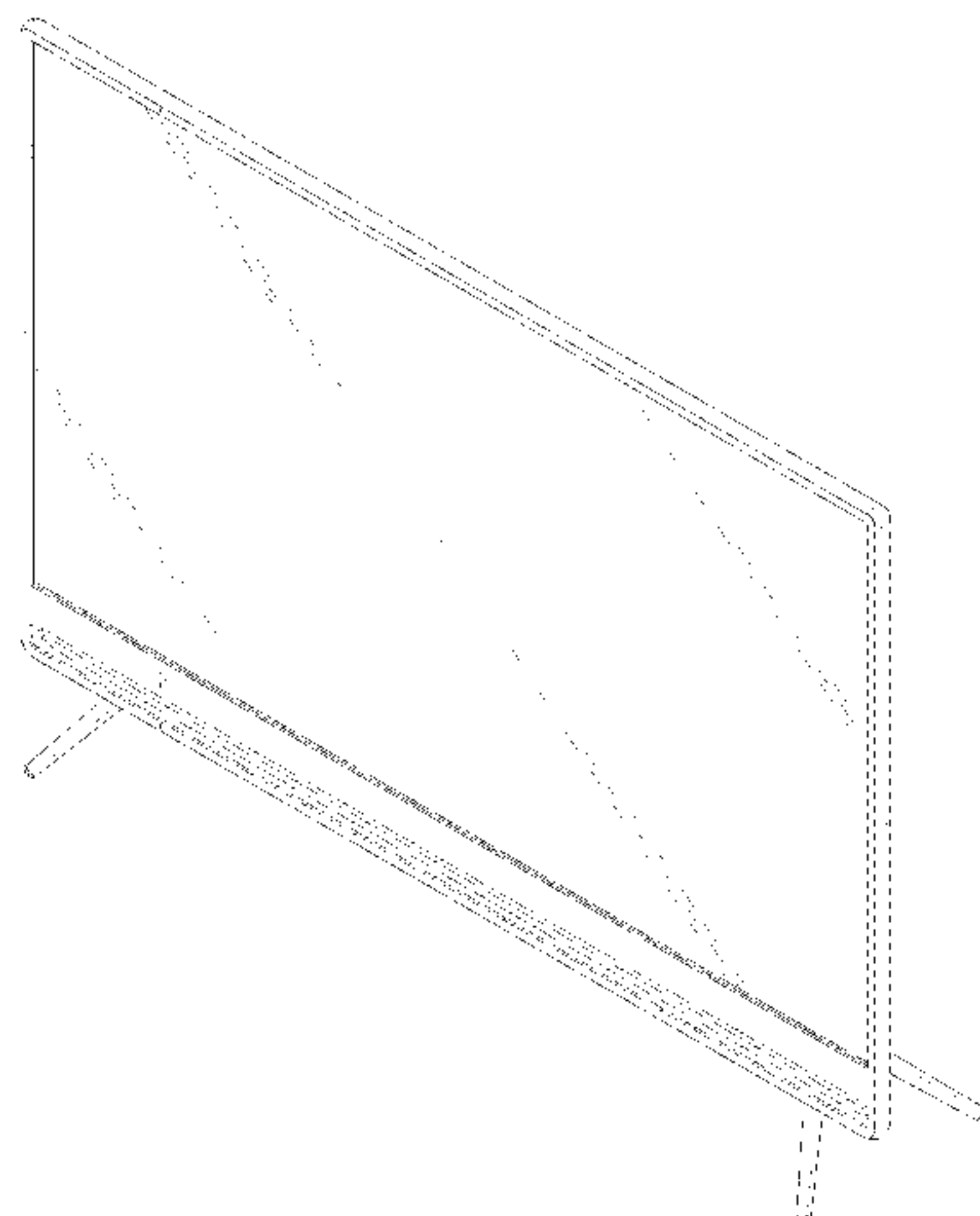


FIG. 1

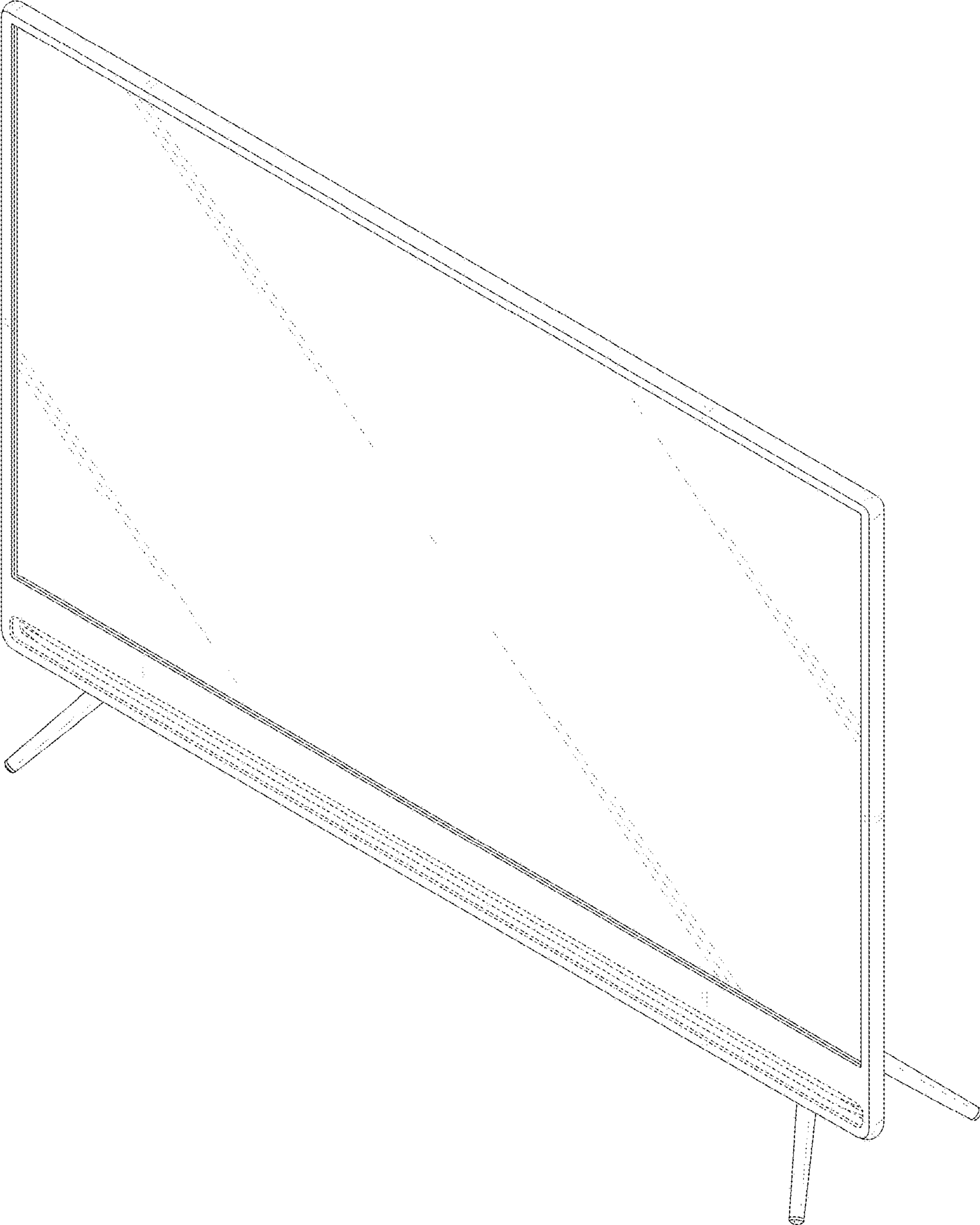


FIG. 2

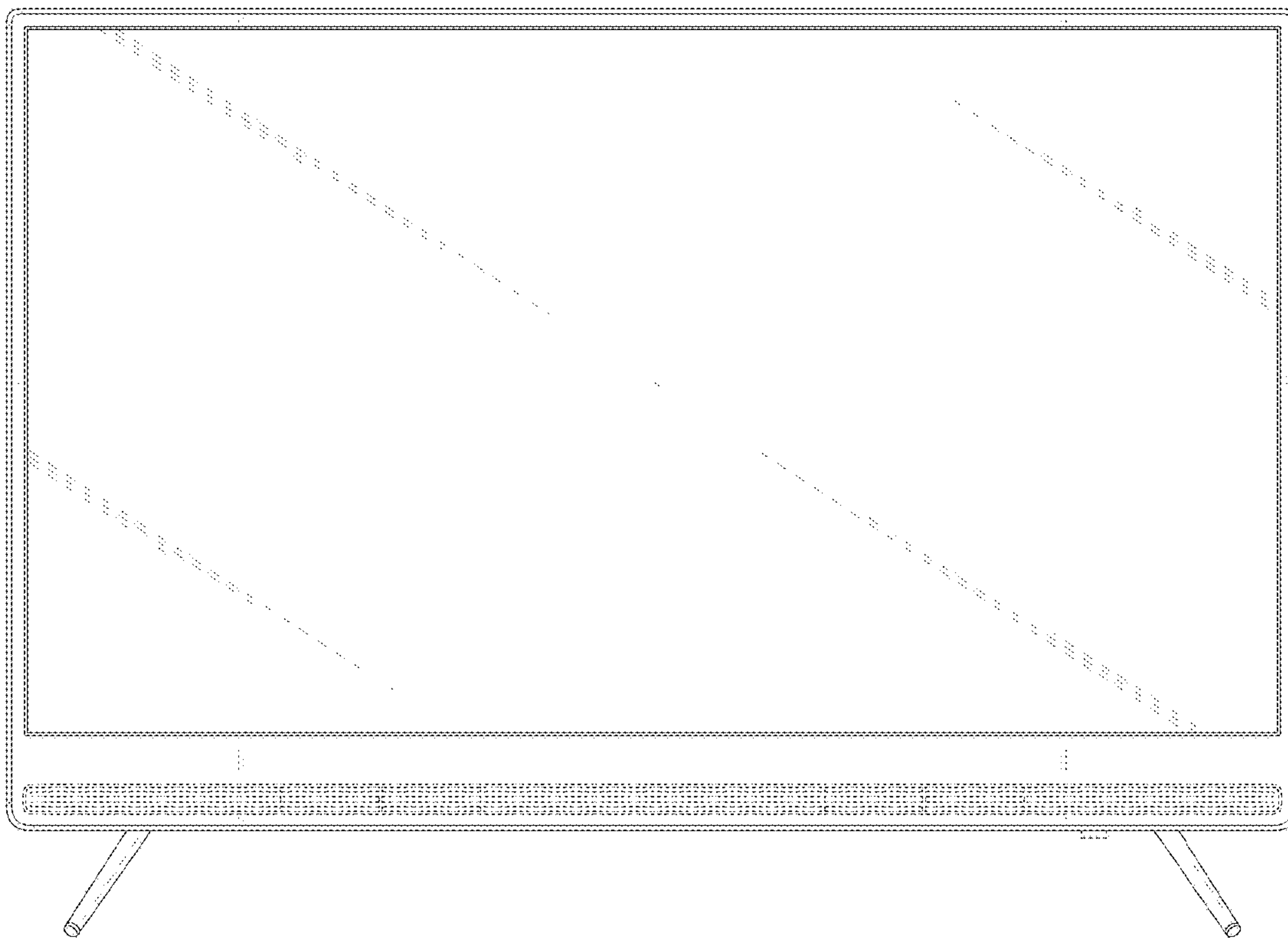


FIG. 3

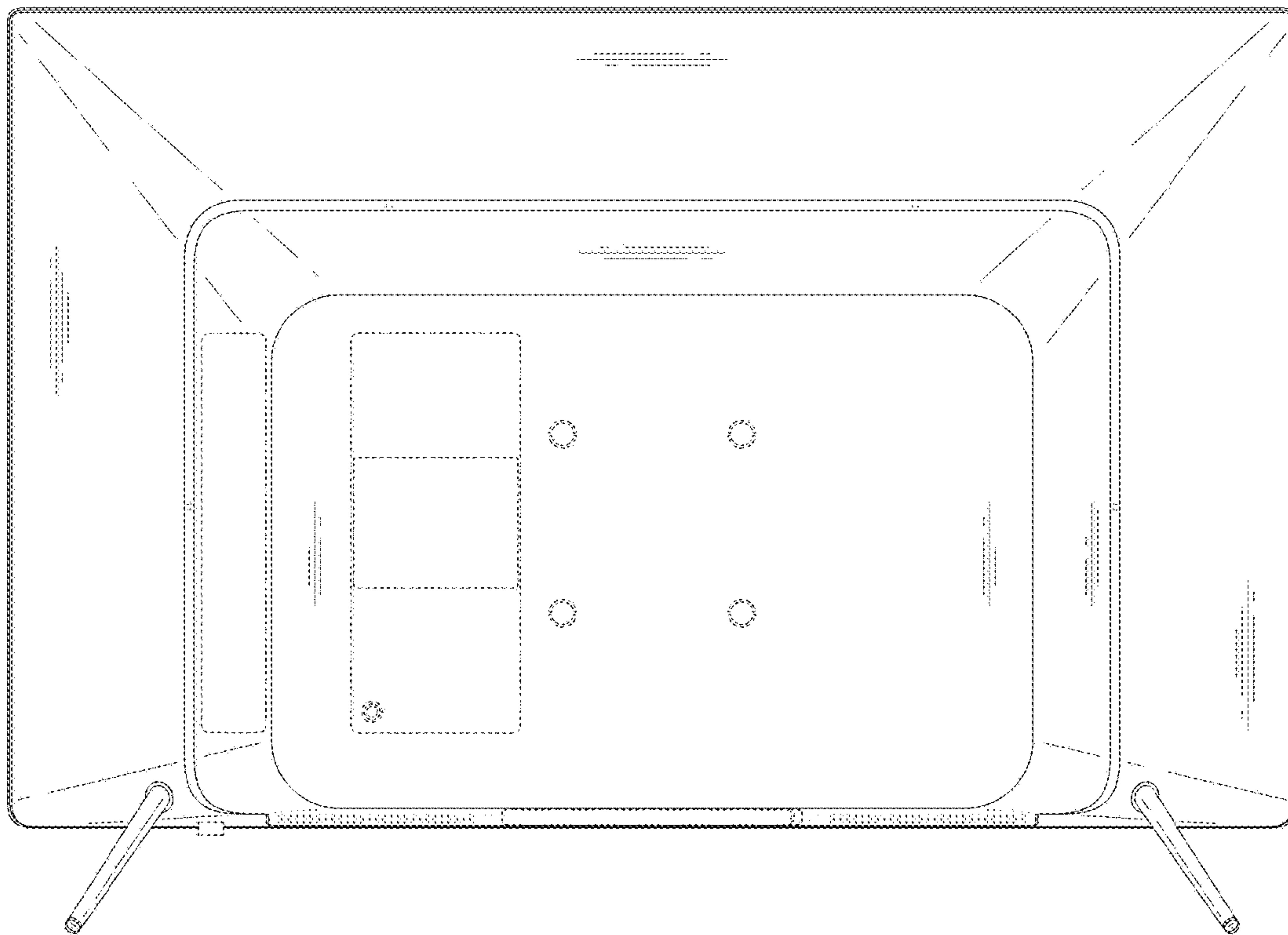


FIG. 4

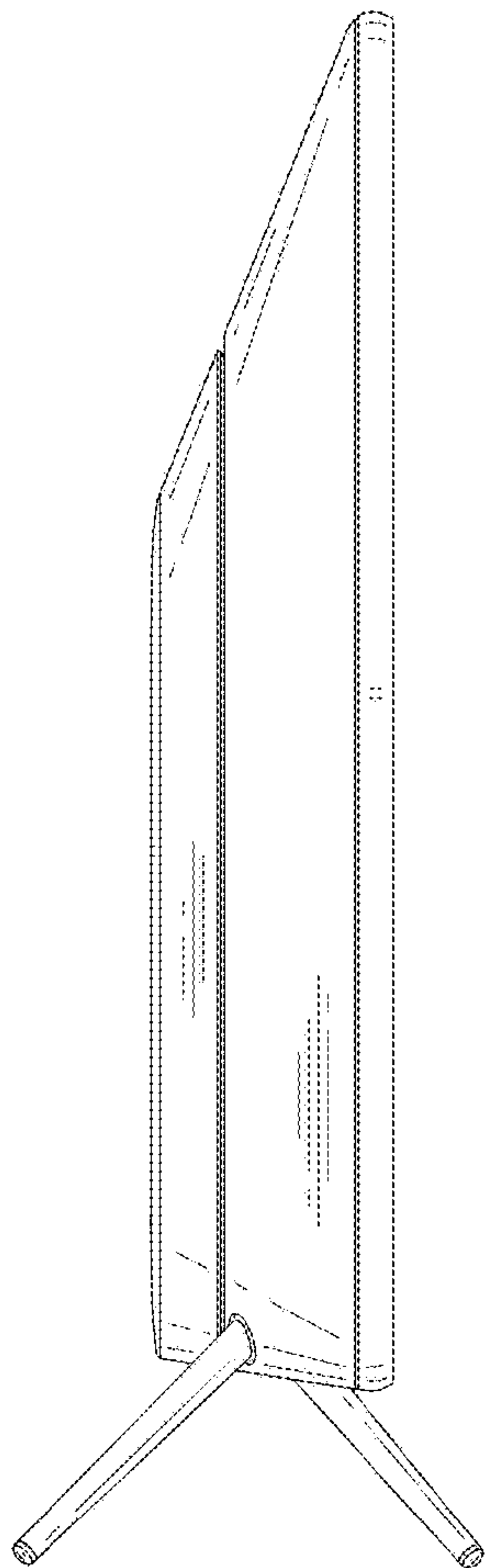


FIG. 5

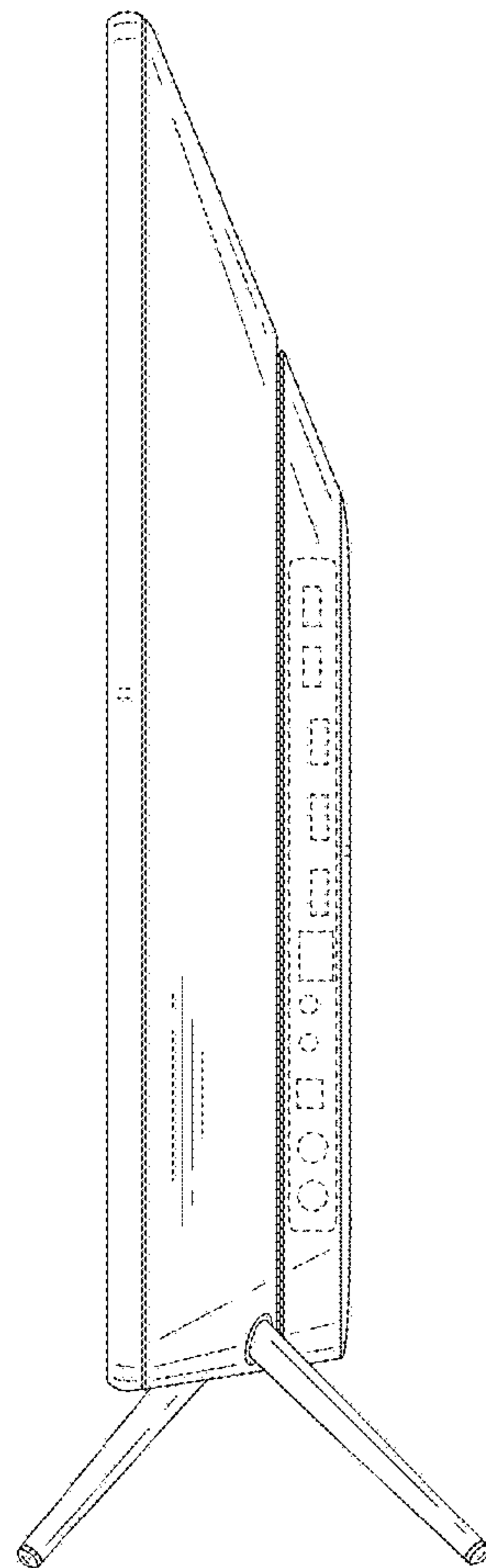


FIG. 6

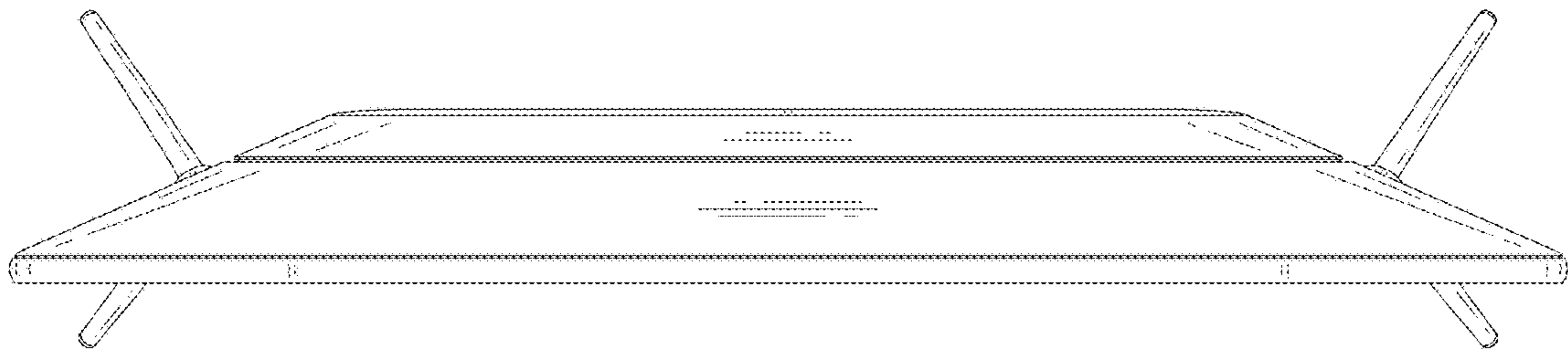


FIG. 7

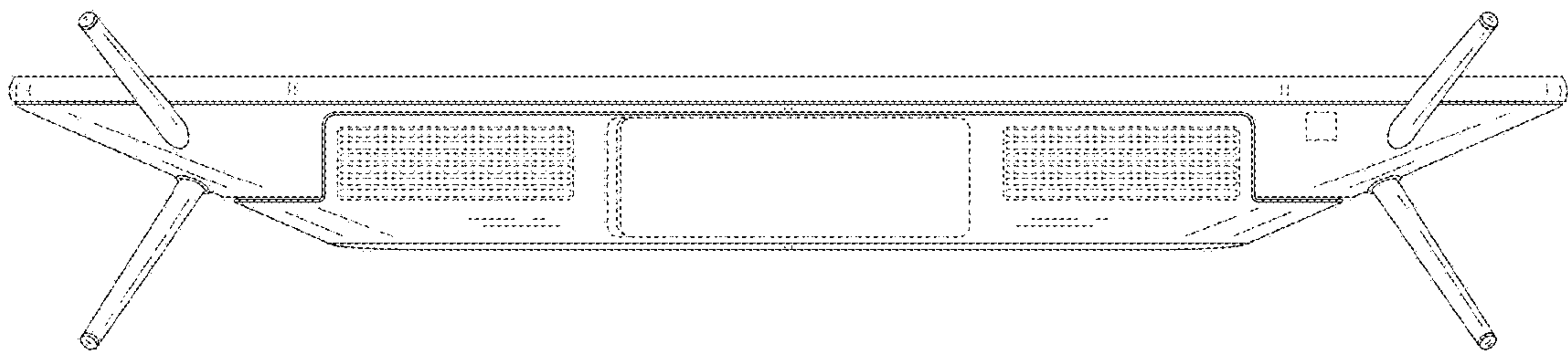


FIG. 8

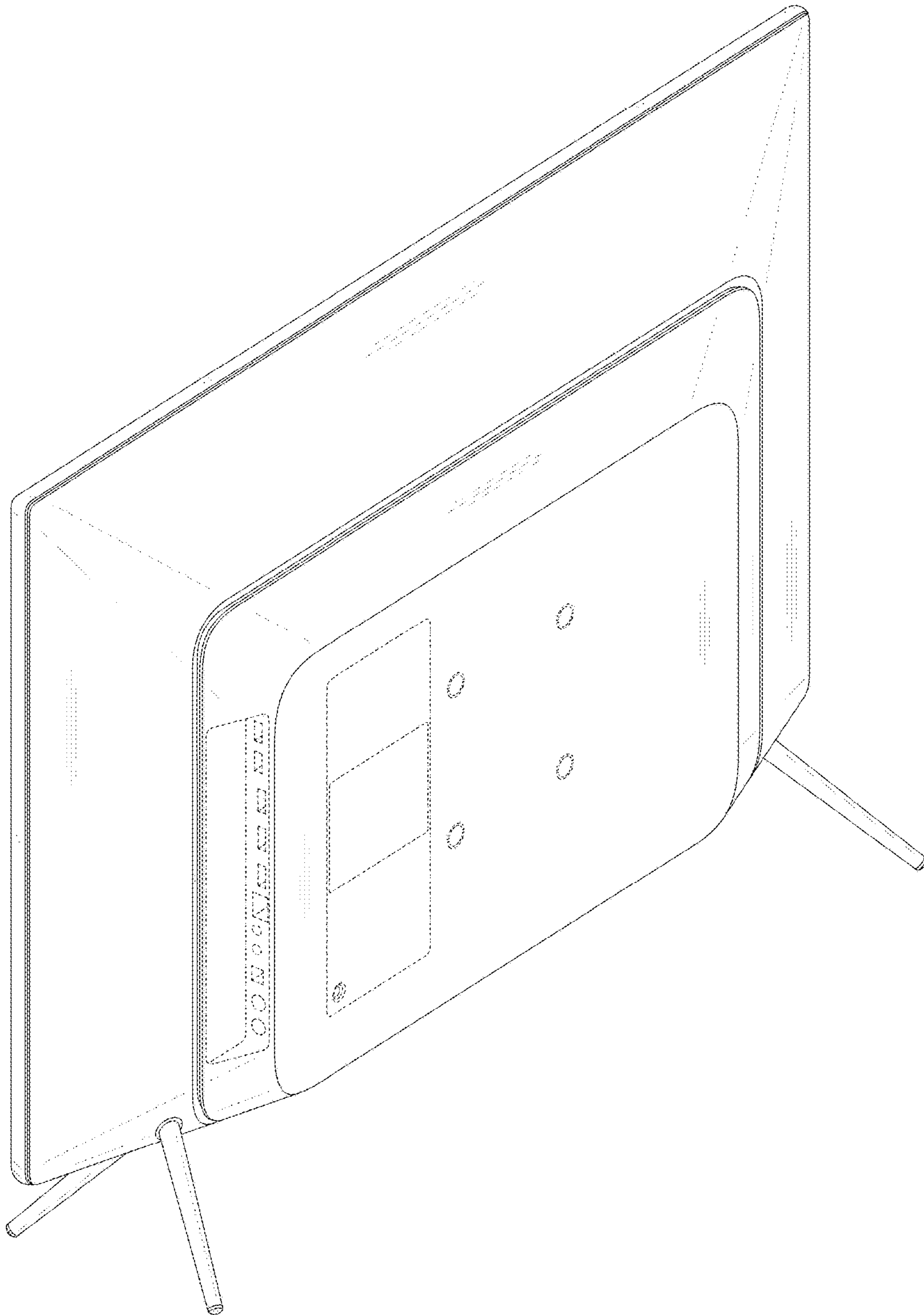


FIG. 9

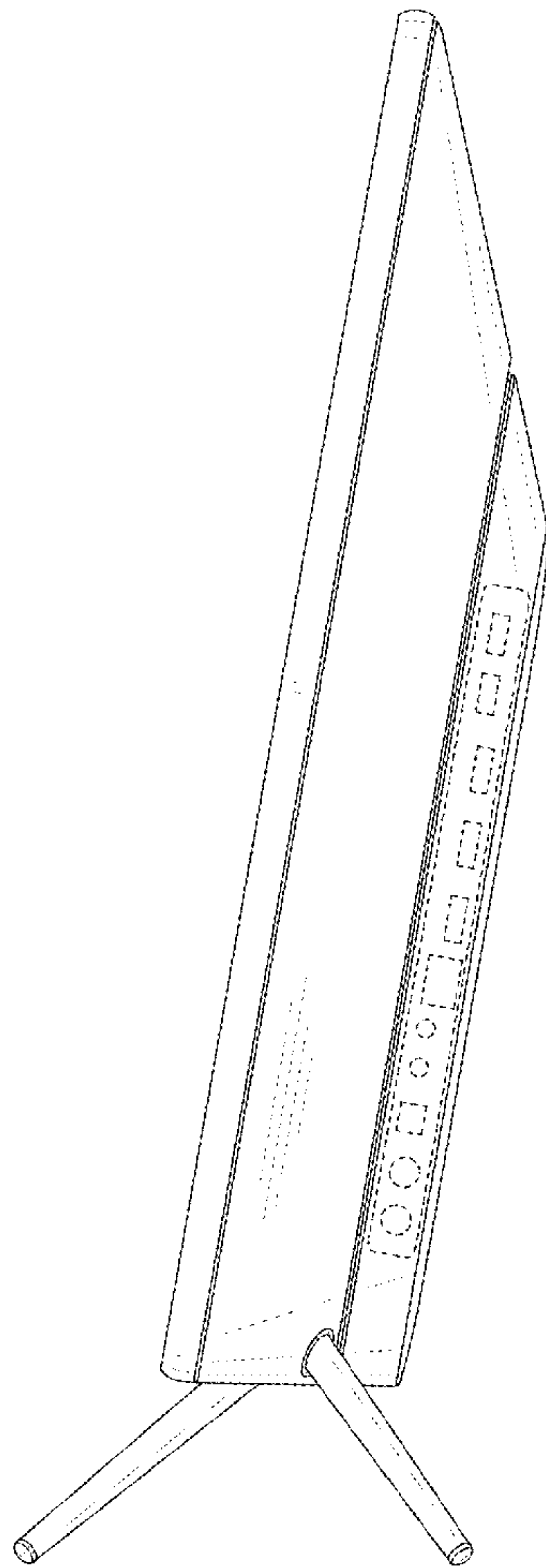


FIG. 10

