



US00D777127S

(12) **United States Design Patent** (10) **Patent No.:** **US D777,127 S**
Kim et al. (45) **Date of Patent:** **** Jan. 24, 2017**

(54) **TV RECEIVER**

(71) Applicant: **Samsung Electronics Co., Ltd.**,
Suwon-si (KR)

(72) Inventors: **Hee-Bong Kim**, Gimpo-si (KR);
Jaeneung Lee, Ansan-si (KR)

(73) Assignee: **Samsung Electronics Co., Ltd.**,
Suwon-si (KR)

(**) Term: **15 Years**

(21) Appl. No.: **29/555,693**

(22) Filed: **Feb. 24, 2016**

Related U.S. Application Data

(63) Continuation of application No. 29/504,861, filed on
Oct. 10, 2014, now Pat. No. Des. 752,535.

(30) **Foreign Application Priority Data**

Apr. 11, 2014 (KR) 30-2014-0018250

(51) **LOC (10) Cl.** **14-03**

(52) **U.S. Cl.**
USPC **D14/126**

(58) **Field of Classification Search**

USPC D14/125-134, 239, 371, 136, 374-377,
D14/440, 450, 448, 336, 342, 159;
312/7.2; 348/836, 838, 180, 184, 325,
348/739; 248/917-924, 465; 345/104,
345/133, 156, 168, 87, 173; D21/329,
D21/515, 577, 622, 333, 433, 448, 452,
D21/450, 331, 505; D10/15, 26; 446/484,
446/175, 356; D6/477, 479, 300; D20/10,
D20/19, 39; D16/203, 241; 160/24
CPC G06F 1/1601; G06F 1/1643; H05K 5/0004;
H05K 5/0017; H05K 5/02; H05K 5/0217;
H04N 13/0459

See application file for complete search history.

(56) **References Cited**

U.S. PATENT DOCUMENTS

D484,860 S *	1/2004	Kubota	D14/126
D494,165 S *	8/2004	Yokota	D14/341
D535,953 S *	1/2007	Fujii	D14/126
D547,740 S *	7/2007	Otani	D14/126
D648,691 S	11/2011	Tierney et al.	
D655,684 S	3/2012	Kim et al.	
D704,157 S	5/2014	Cha et al.	
D719,116 S *	12/2014	Bang	D14/126
D725,058 S *	3/2015	Kim	D14/126
D725,618 S *	3/2015	Shin	D14/126
D727,865 S *	4/2015	Moon	D14/126
D736,167 S	8/2015	Bang et al.	
D736,730 S	8/2015	Hong	
D738,837 S *	9/2015	Kim	D14/126
D755,743 S *	5/2016	Kim	D14/126

* cited by examiner

Primary Examiner — Raphael Barkai

(74) *Attorney, Agent, or Firm* — NSIP Law

(57) **CLAIM**

We claim the ornamental design for a TV receiver, as shown
and described.

DESCRIPTION

FIG. 1 is a front perspective view of a TV receiver showing
our new design;
FIG. 2 is a front view thereof;
FIG. 3 is a rear view thereof;
FIG. 4 is a left-side view thereof;
FIG. 5 is a right-side view thereof;
FIG. 6 is a top view thereof;
FIG. 7 is a bottom view thereof; and,
FIG. 8 is a rear perspective view thereof.
The broken lines in the figures depict portions of the TV
receiver that form no part of the claimed design.

1 Claim, 8 Drawing Sheets

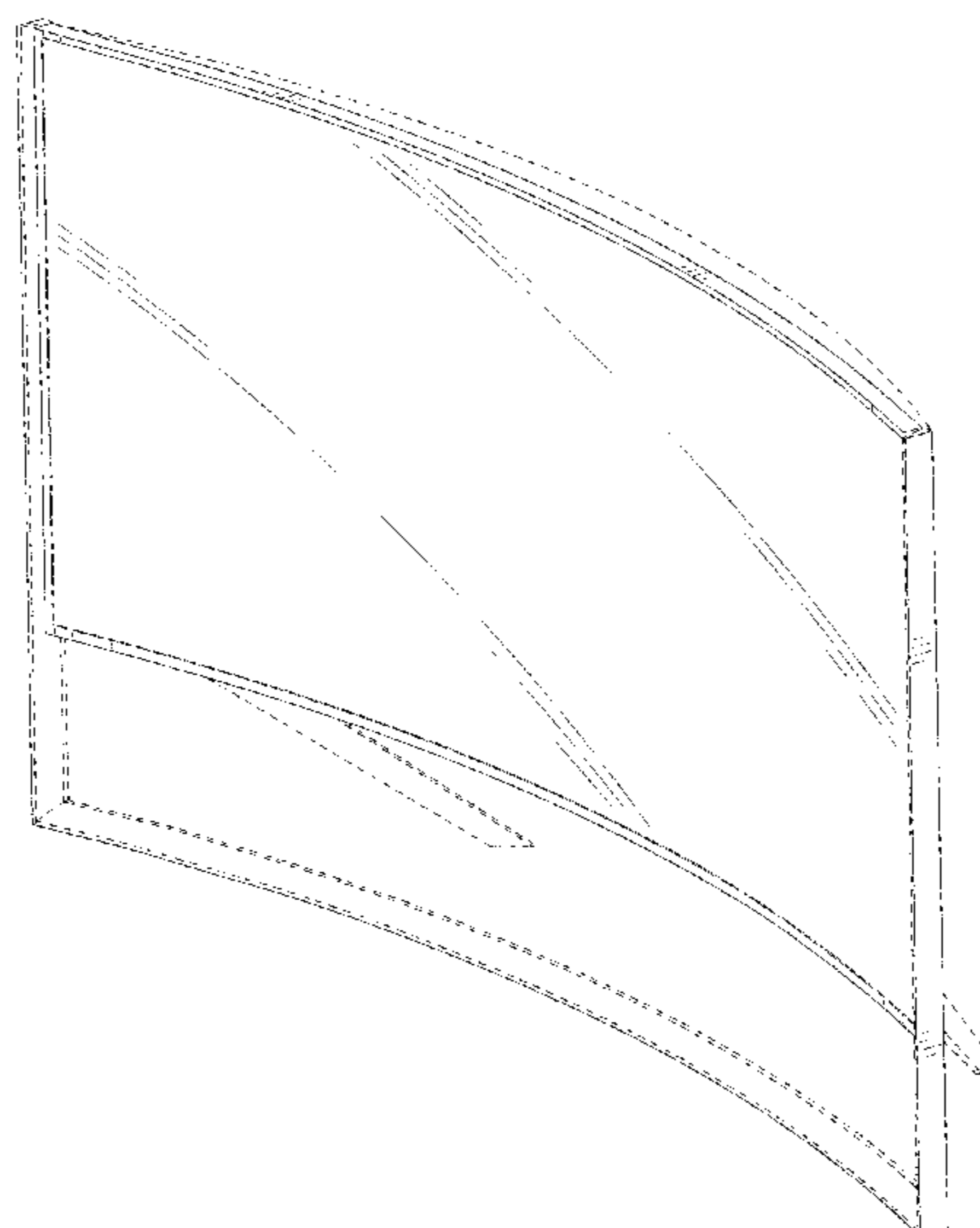


FIG. 1

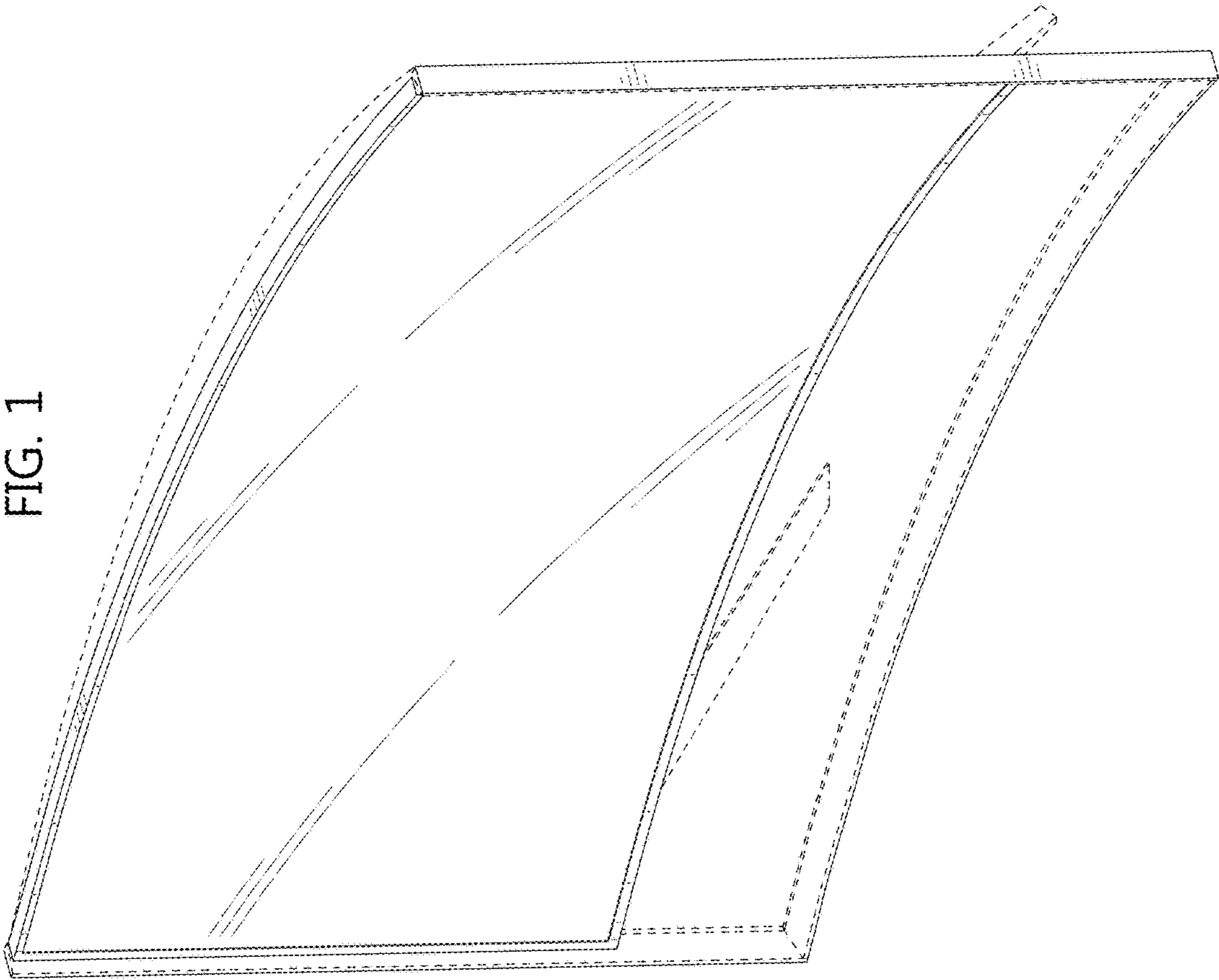


FIG. 2

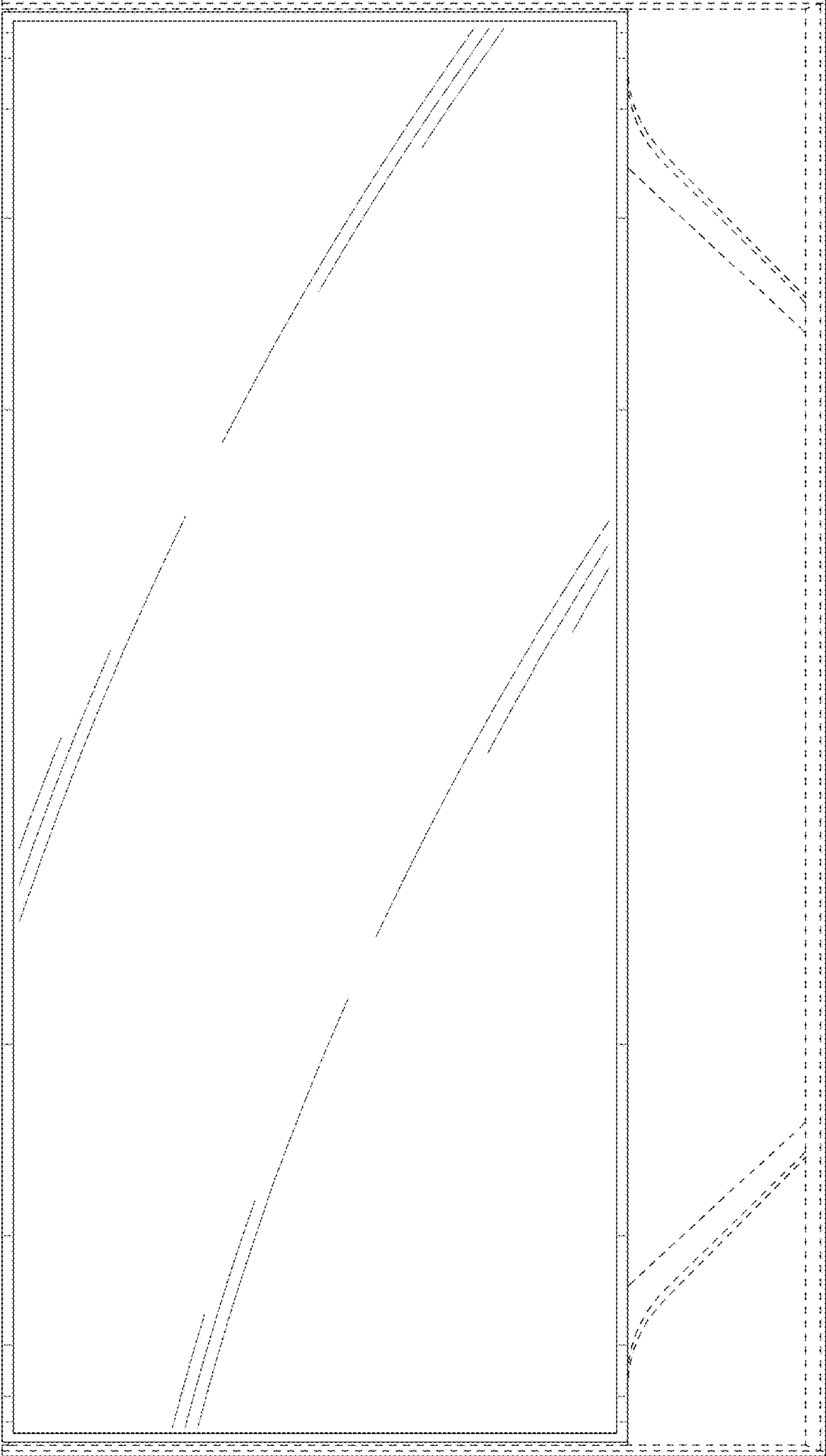


FIG. 3

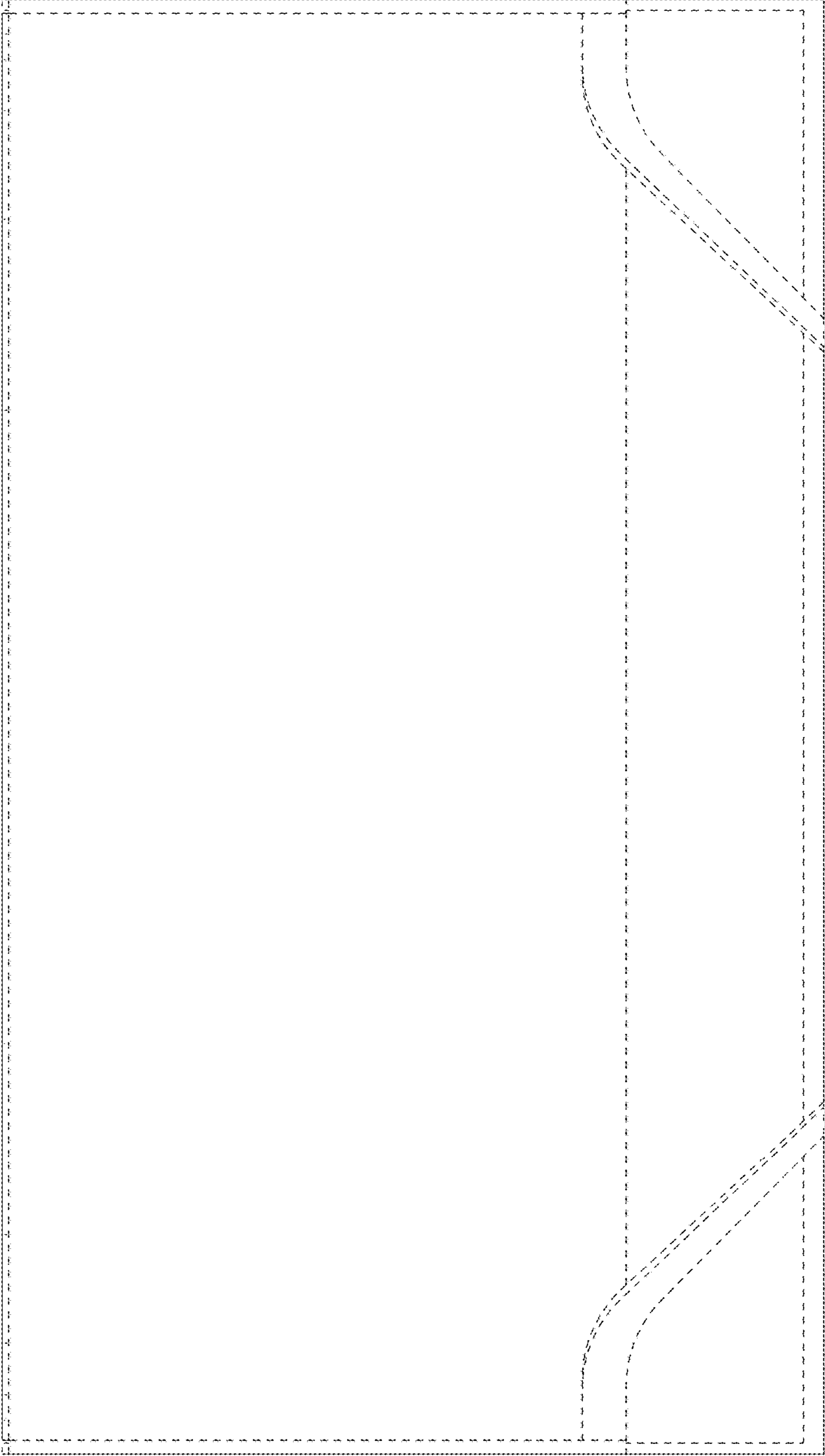


FIG. 4

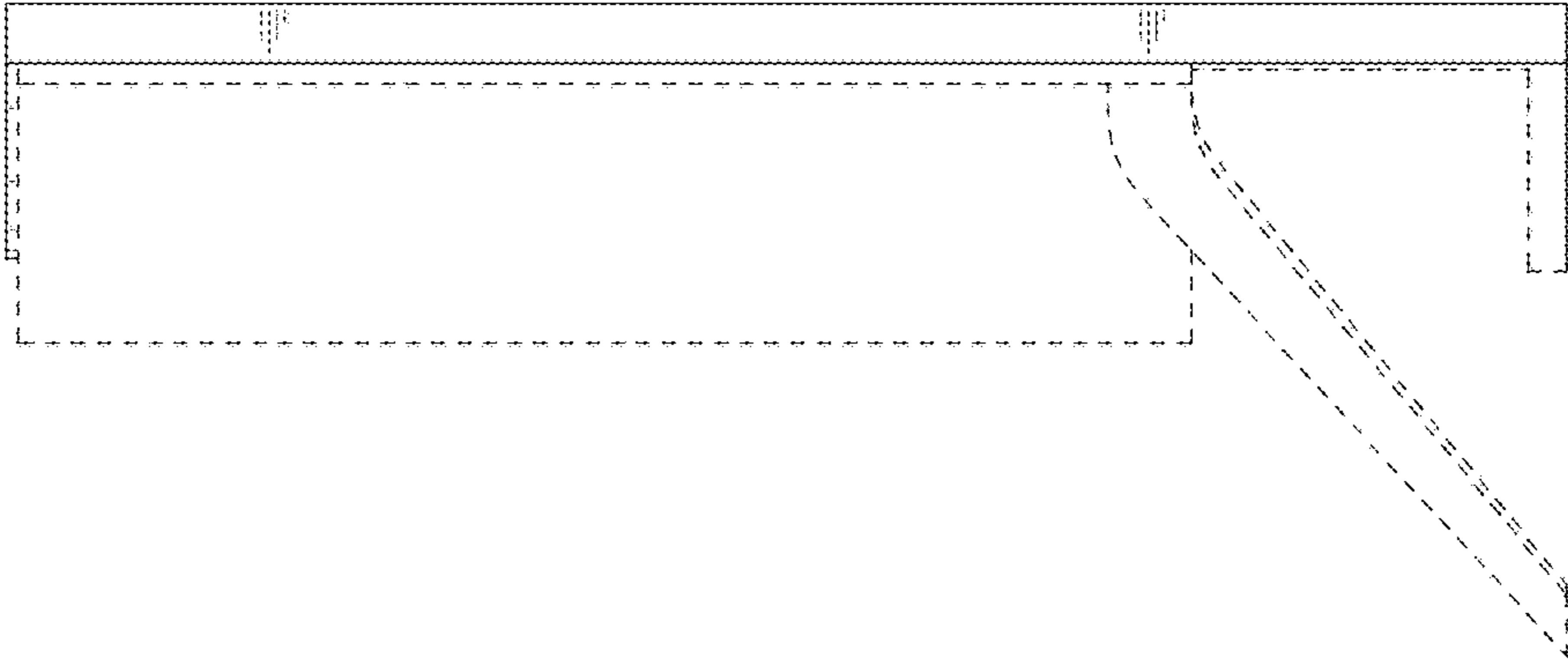


FIG. 5

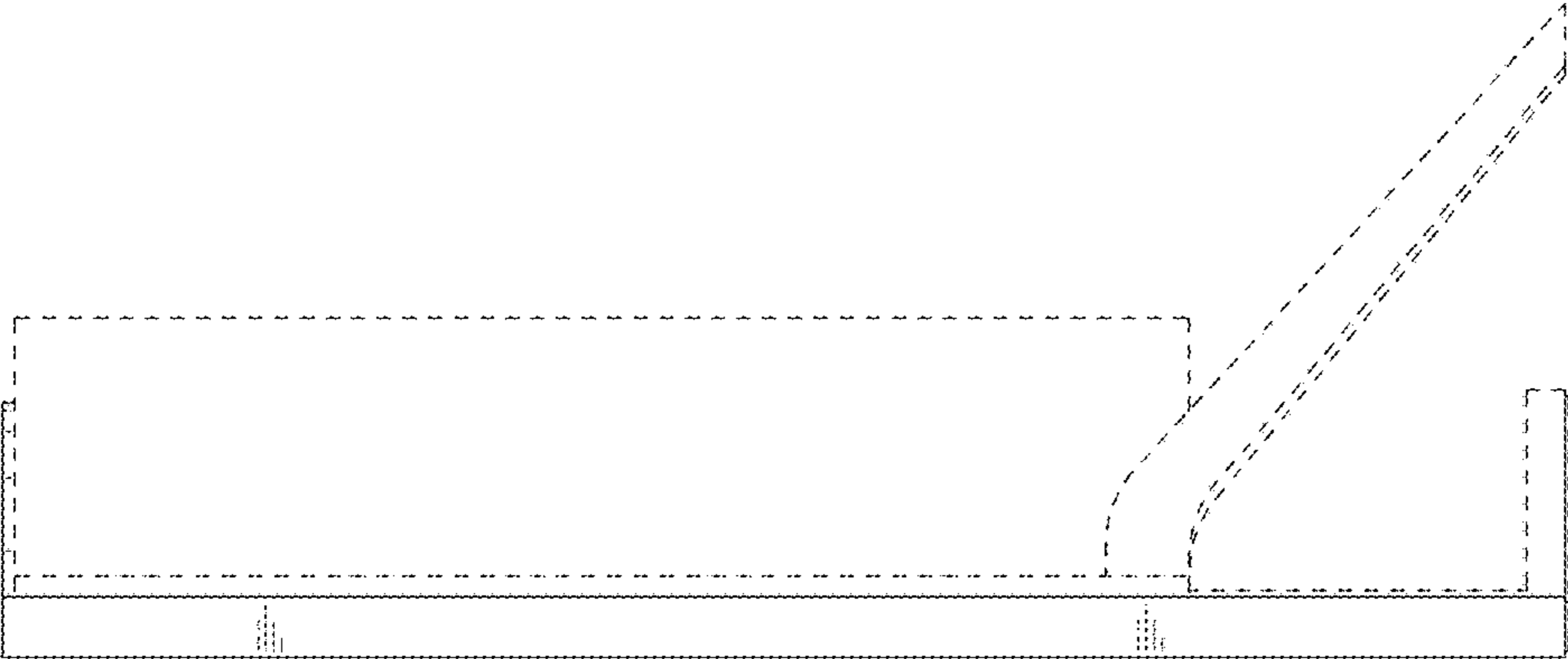


FIG. 6

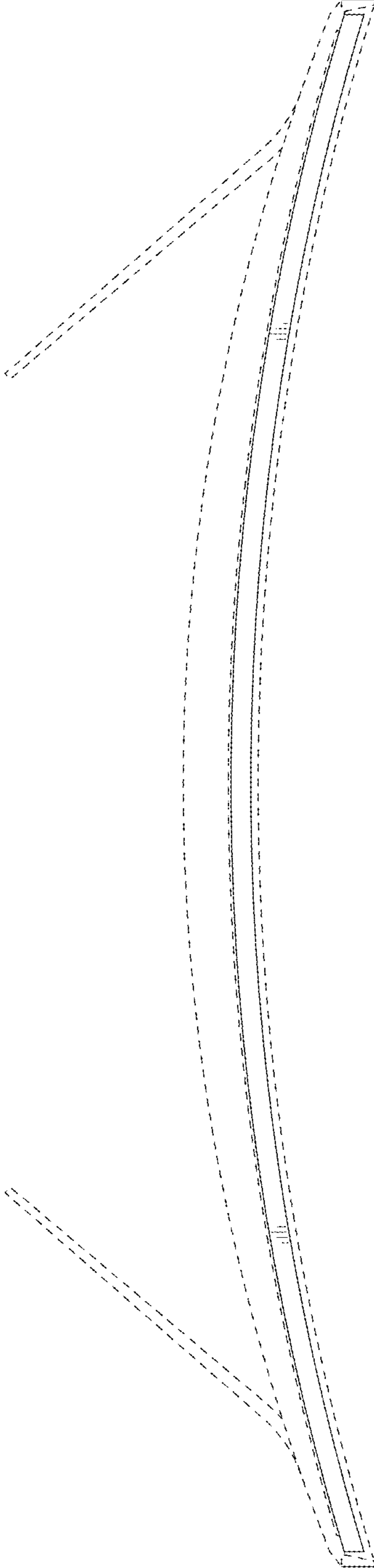
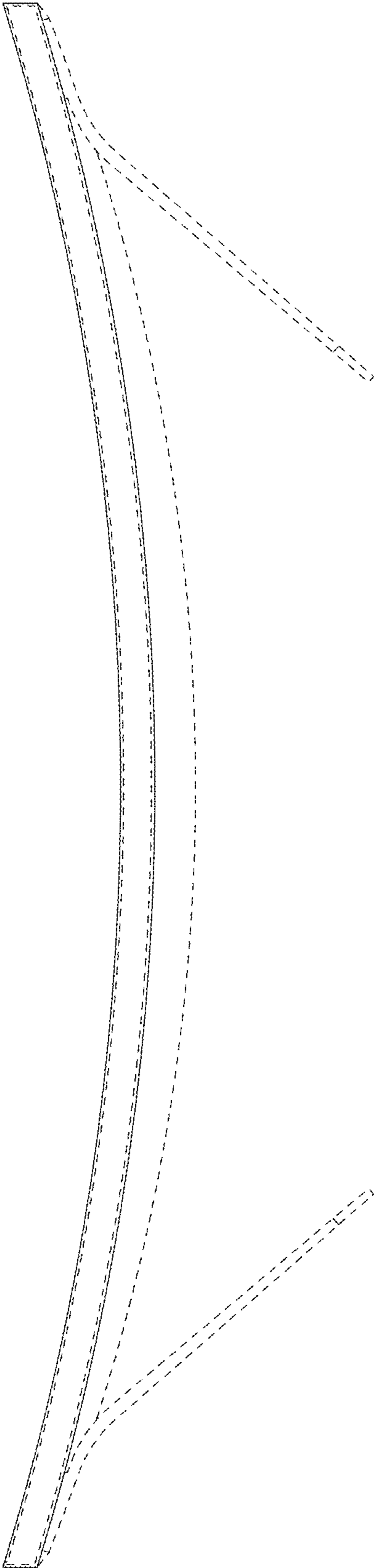


FIG. 7



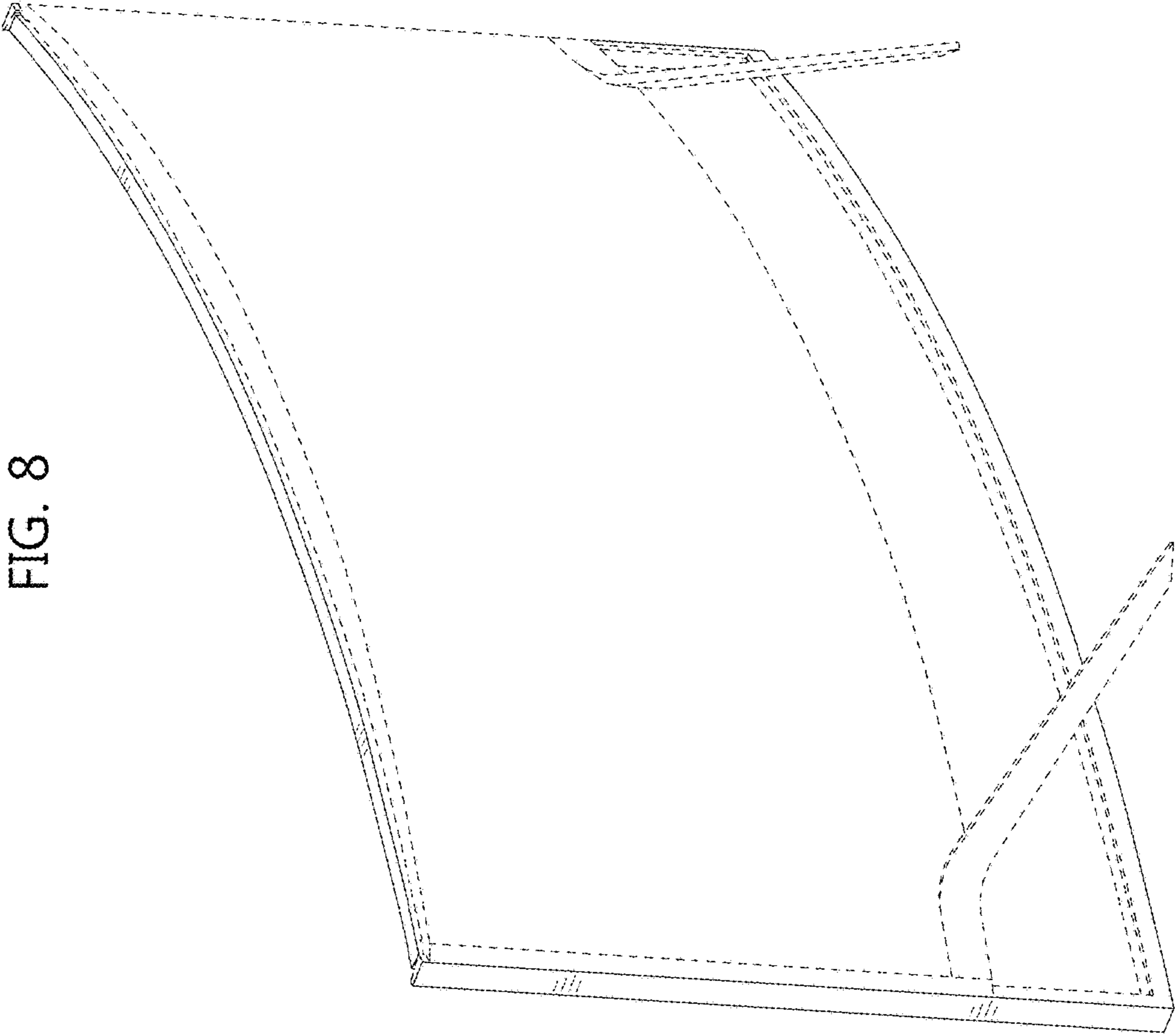


FIG. 8