



US00D777125S

(12) **United States Design Patent** (10) **Patent No.:** **US D777,125 S**
Eder (45) **Date of Patent:** **** Jan. 24, 2017**

(54) **ELECTRICAL HOUSING**
(71) Applicant: **TRIDONIC GmbH & Co. KG,**
Dornbirn (AT)
(72) Inventor: **Armin Eder,** Innsbruck (AT)
(73) Assignee: **TRIDONIC GMBH & CO KG,**
Dornbirn (AT)
(**) Term: **14 Years**
(21) Appl. No.: **29/491,297**
(22) Filed: **May 20, 2014**

D640,641 S *	6/2011	Felegy, Jr.	D13/158
D642,523 S *	8/2011	Crawford	D13/108
D660,798 S *	5/2012	Tseng	D13/110
D665,347 S *	8/2012	Chen	D13/108
D671,887 S *	12/2012	Baker	D13/107
D675,321 S *	1/2013	Sanga	D24/177
D689,231 S *	9/2013	Crawford	D13/108
D711,820 S *	8/2014	Zeng	D13/103
D712,351 S *	9/2014	Zeng	D13/103
D713,786 S *	9/2014	Wen	D13/103
D742,819 S *	11/2015	Nuovo	D13/107
D744,942 S *	12/2015	Bates	D13/107
D744,943 S *	12/2015	Bates	D13/107
D746,227 S *	12/2015	Lemire-Elmore	D13/107
D749,506 S *	2/2016	Morgan	D13/108
2013/0049675 A1 *	2/2013	Minami	H02J 7/0054 320/103

(30) **Foreign Application Priority Data**
Dec. 2, 2013 (EM) 002363291-0001
(51) **LOC (10) Cl.** **13-99**
(52) **U.S. Cl.**
USPC **D13/184**
(58) **Field of Classification Search**
USPC D13/103, 107, 108, 118, 119, 162,
D13/184, 199; 320/112, 135, 138, 140;
345/522; D14/300-302, 314, 348-370,
D14/383-385, 435, 496, 125, 135, 155,
D14/240-242, 299; D3/273; D9/432;
D10/65, 75, 78; 361/679.31-679.45;
312/223.2
CPC H02J 2007/0062; G06F 1/263; H05B
33/0833; H05B 33/00
See application file for complete search history.

* cited by examiner

Primary Examiner — Lakiya Rogers
Assistant Examiner — Harold Blackwell, II
(74) *Attorney, Agent, or Firm* — Volpe and Koenig, P.C.

(57) **CLAIM**

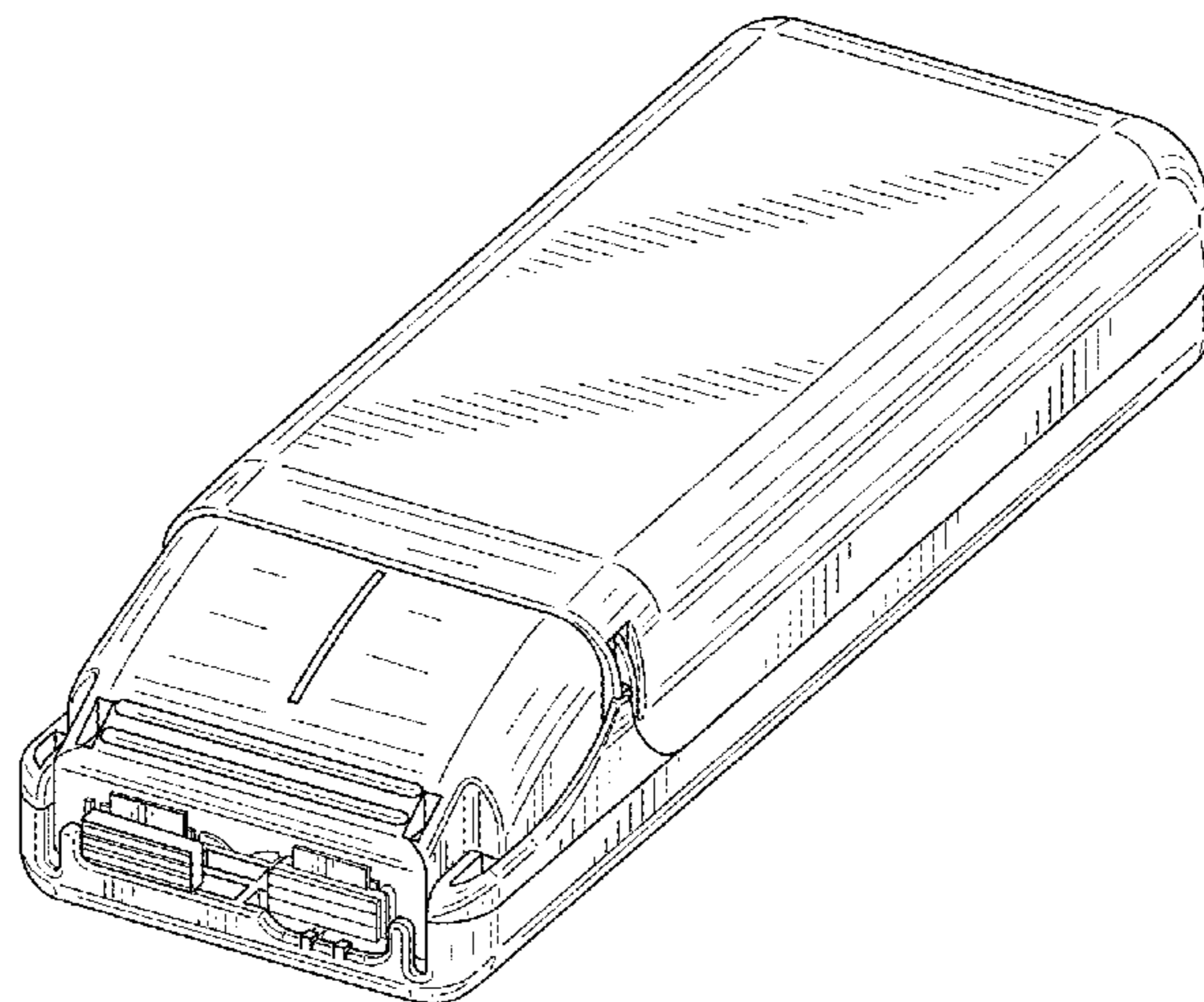
The ornamental design for an electrical housing, as shown and described.

DESCRIPTION

FIG. 1 is a front perspective view of the electrical housing according to my design;
FIG. 2 is a rear perspective view of the electrical housing shown in FIG. 1
FIG. 3 is a left elevation view of the electrical housing of FIG. 1, the right side being a mirror image thereof;
FIG. 4 is a top plan view of the electrical housing of FIG. 1;
FIG. 5 is a bottom view of the electrical housing of FIG. 1;
FIG. 6 is a rear view of the electrical housing of FIG. 1; and,
FIG. 7 is a front view of the electrical housing of FIG. 1.
The broken lines shown in FIG. 5 form no part of the claimed design.

(56) **References Cited**
U.S. PATENT DOCUMENTS
D598,374 S * 8/2009 Sasada D13/108
D602,878 S * 10/2009 Coleman D13/168
D623,129 S * 9/2010 Kawakami D13/107
D636,347 S * 4/2011 Felegy, Jr. D13/162

1 Claim, 7 Drawing Sheets



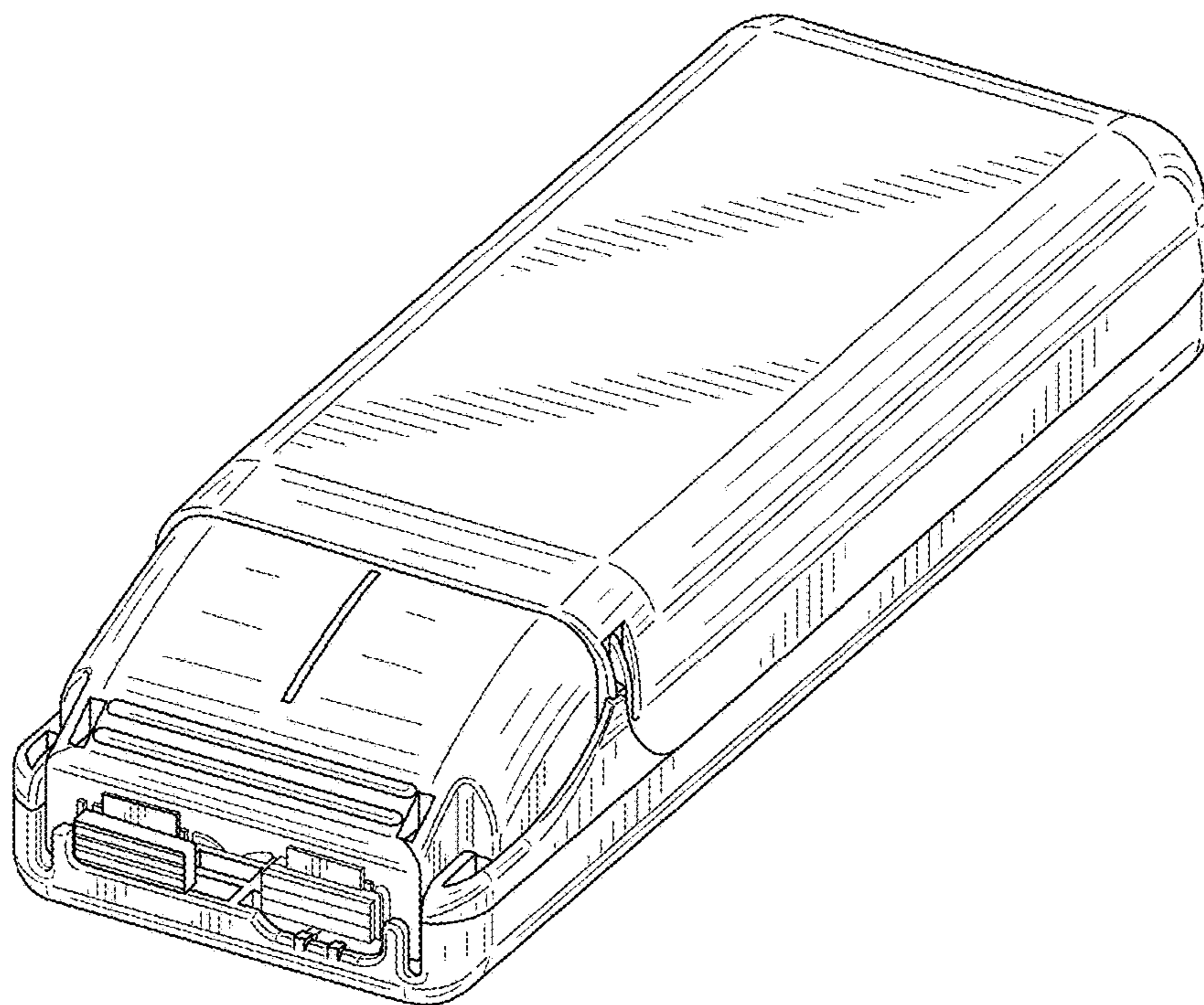


FIG. 1

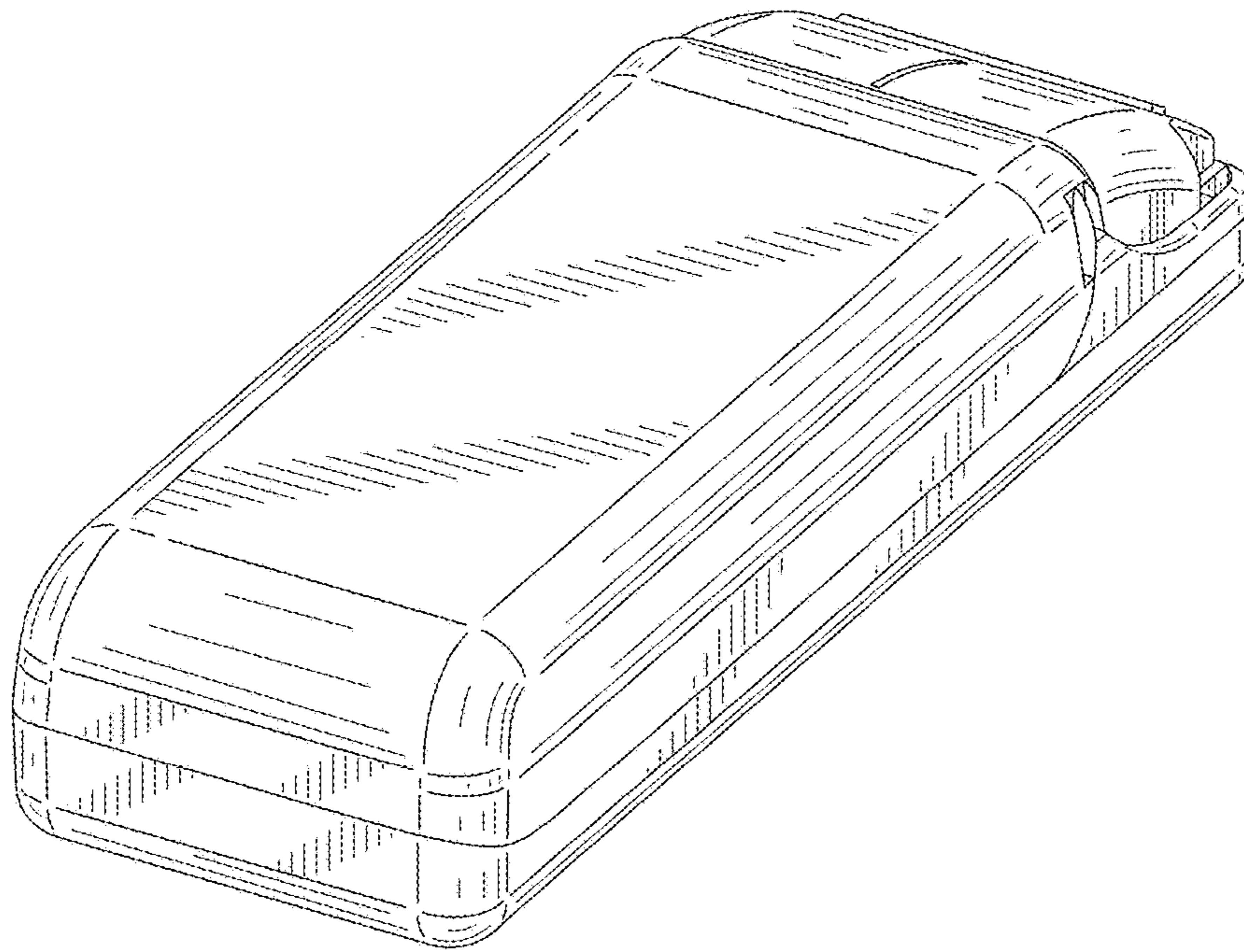


FIG. 2

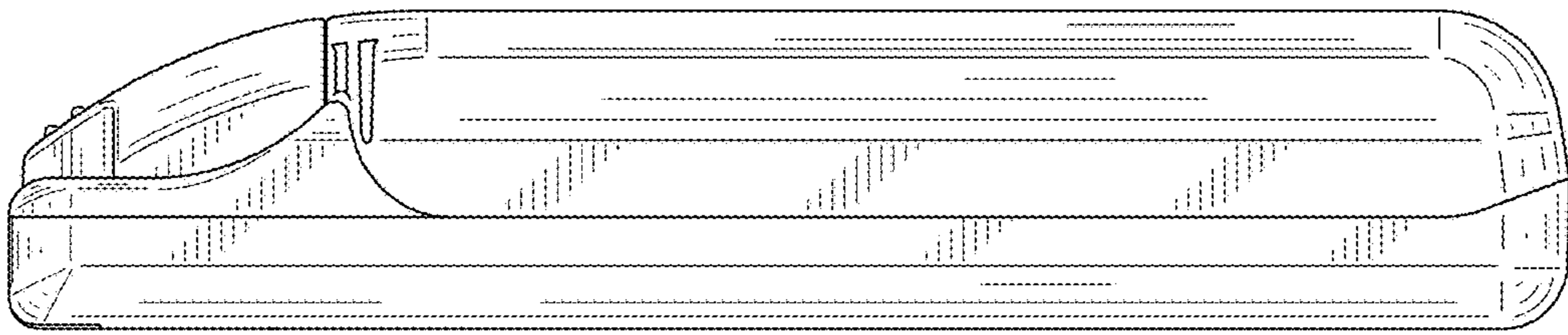


FIG. 3

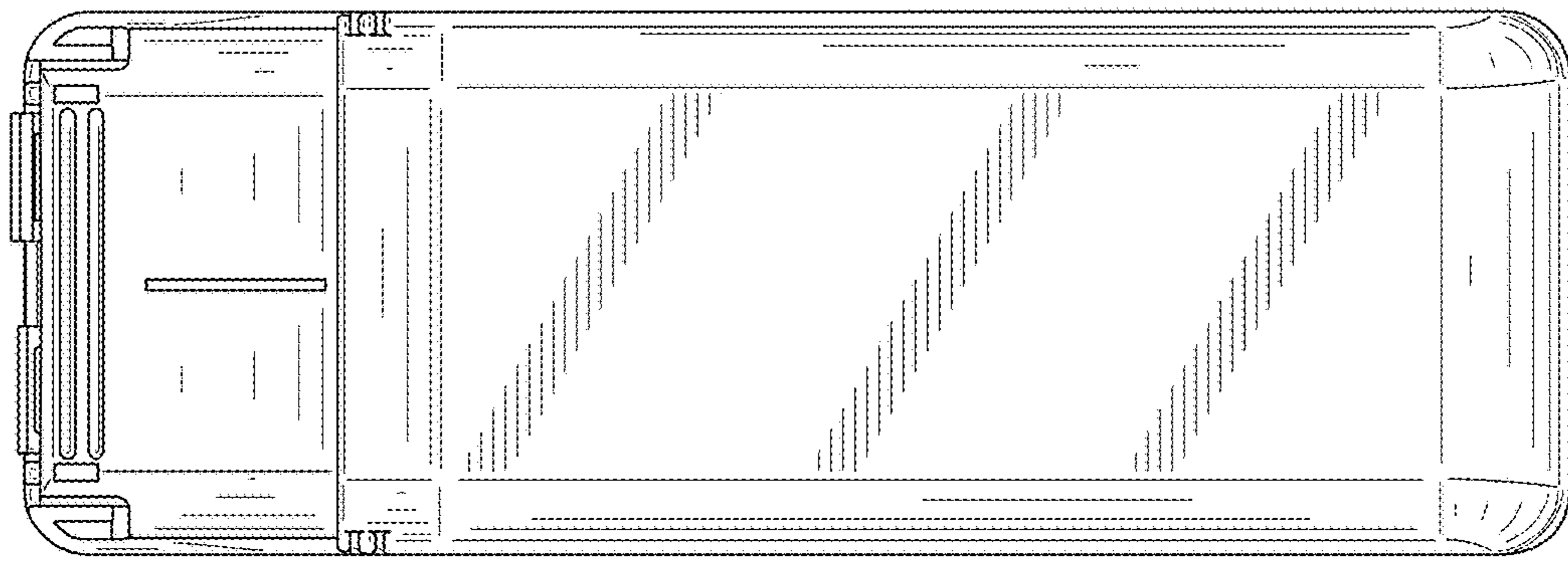


FIG. 4

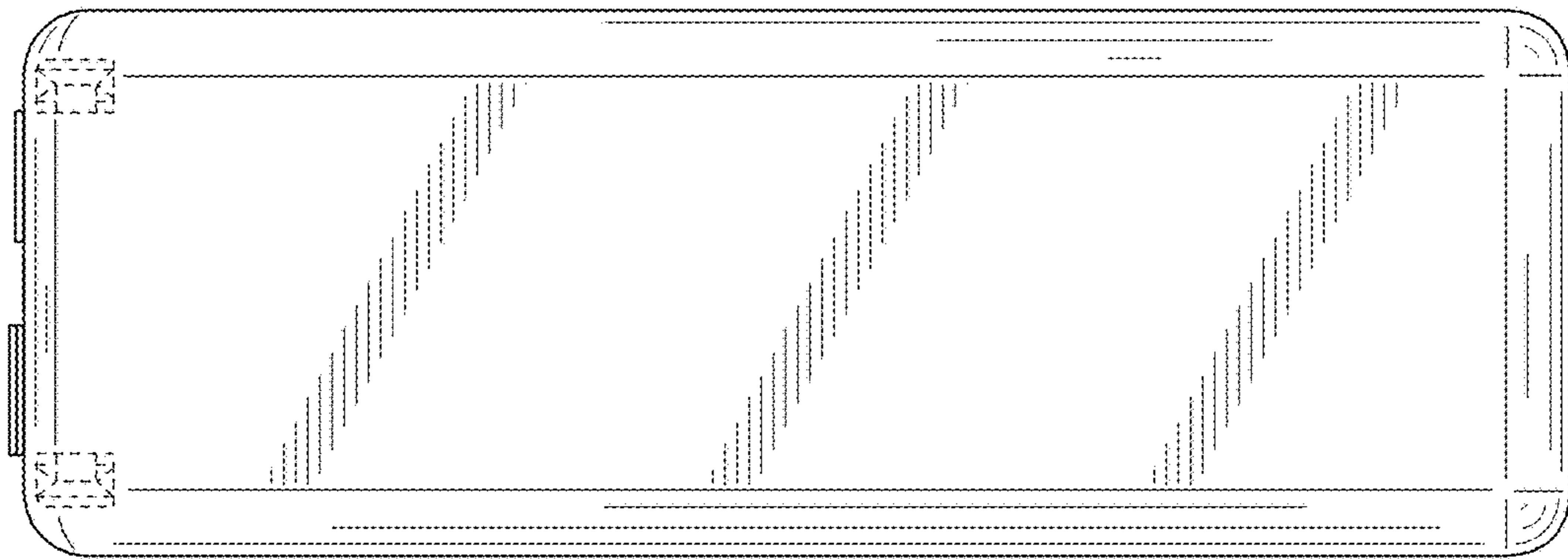


FIG. 5

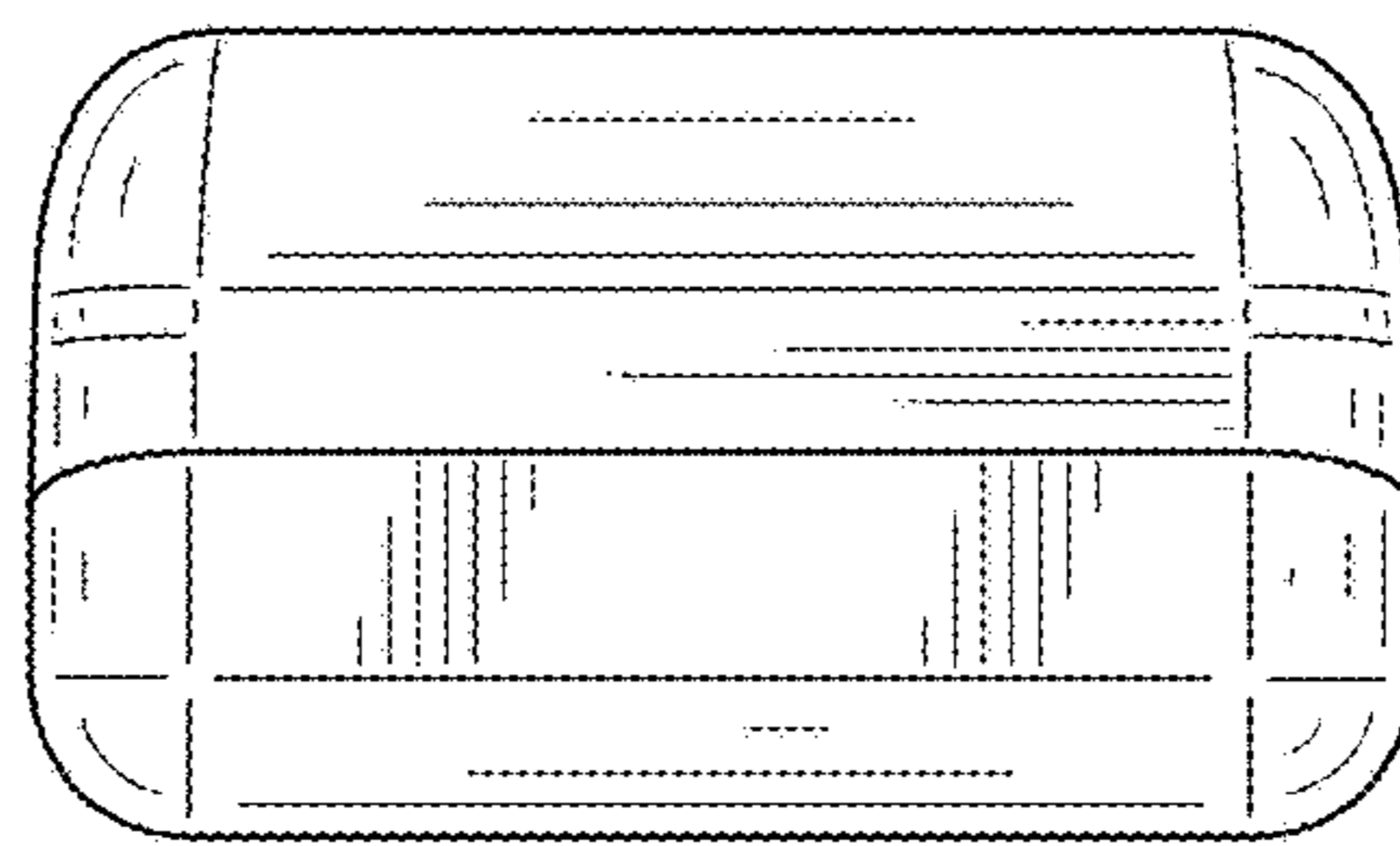


FIG. 6

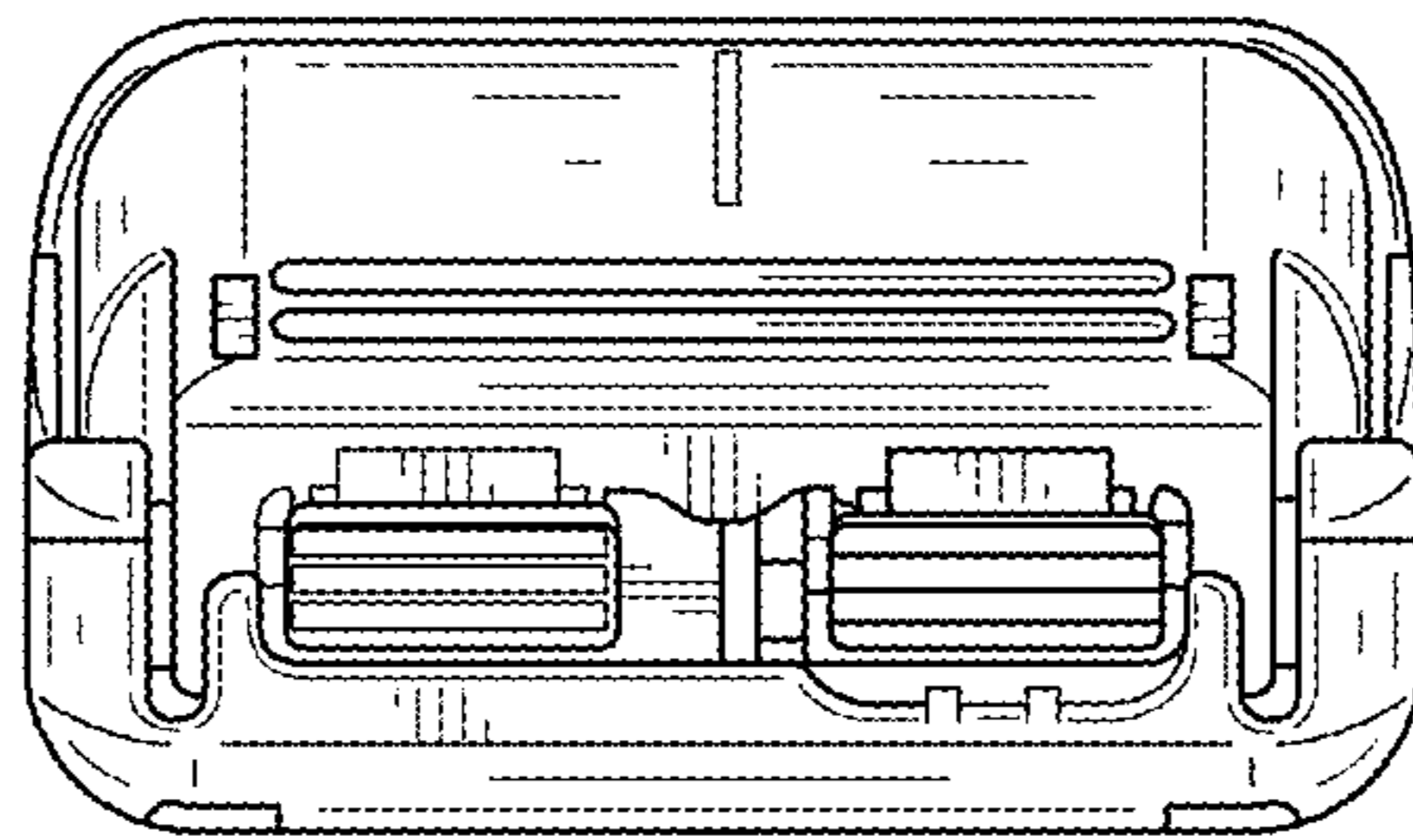


FIG. 7