



US00D777123S

(12) **United States Design Patent**  
**Yensen et al.**

(10) **Patent No.:** **US D777,123 S**  
(45) **Date of Patent:** **\*\* Jan. 24, 2017**

- (54) **MEZZANINE BOARD**
- (71) Applicant: **ALLEN-VANGUARD CORPORATION**, Ottawa (CA)
- (72) Inventors: **Trevor Noel Yensen**, Ottawa (CA);  
**Travis Patrick Corkery**, Ottawa (CA);  
**David Arthur McQuinn**, Ottawa (CA)
- (73) Assignee: **Allen-Vanguard Corporation**, Ottawa (CA)
- (\*\*) Term: **14 Years**
- (21) Appl. No.: **29/497,476**
- (22) Filed: **Jul. 24, 2014**
- (51) **LOC (10) Cl.** ..... **13-03**
- (52) **U.S. Cl.**  
USPC ..... **D13/182**
- (58) **Field of Classification Search**  
USPC ..... D13/182; 174/68.1, 250, 256, 257;  
318/567, 568.1; 700/22; 361/720, 722,  
748, 361/749, 750, 751, 757, 752, 761,  
762, 763, 764  
CPC ..... H05K 1/00; H05K 1/0286; H05K 1/029;  
H05K 1/0206; H05K 1/0061; H05K  
1/141; H05K 1/142; H05K 3/34; H05K  
3/341; H05K 3/3415; H05K  
3/3405; H05K 3/3447; H05K  
3/0058; H01L 25/00  
See application file for complete search history.

(56) **References Cited**

**U.S. PATENT DOCUMENTS**

- 5,903,439 A \* 5/1999 Tamarkin ..... H05K 7/1451  
174/138 G
- 6,805,560 B1 \* 10/2004 Budny ..... H01R 12/52  
439/65
- D505,925 S \* 6/2005 Koo ..... D13/182

- 6,918,776 B2 \* 7/2005 Spink, Jr. .... H01R 12/716  
439/108
- 6,932,618 B1 \* 8/2005 Nelson ..... H01R 13/03  
439/66
- 6,983,385 B2 \* 1/2006 German ..... G06F 1/26  
710/301
- 7,289,333 B2 \* 10/2007 Warner, II ..... H01R 29/00  
361/786
- 7,502,882 B2 \* 3/2009 Stahl ..... H05K 1/14  
439/65
- 7,539,026 B2 \* 5/2009 Finnerty ..... G06F 1/20  
361/785
- 7,635,278 B2 \* 12/2009 Shuey ..... H01R 23/27  
439/289
- 7,746,654 B2 \* 6/2010 Franz ..... H05K 7/1487  
361/679.02
- 7,798,852 B2 \* 9/2010 Laurx ..... H01R 13/6471  
439/607.08
- 7,837,479 B1 \* 11/2010 Millard ..... H01R 23/688  
439/74
- 7,967,638 B1 \* 6/2011 Kline ..... H01R 12/7082  
439/607.07

(Continued)

*Primary Examiner* — Elizabeth J Oswecki  
(74) *Attorney, Agent, or Firm* — Elan IP Inc.

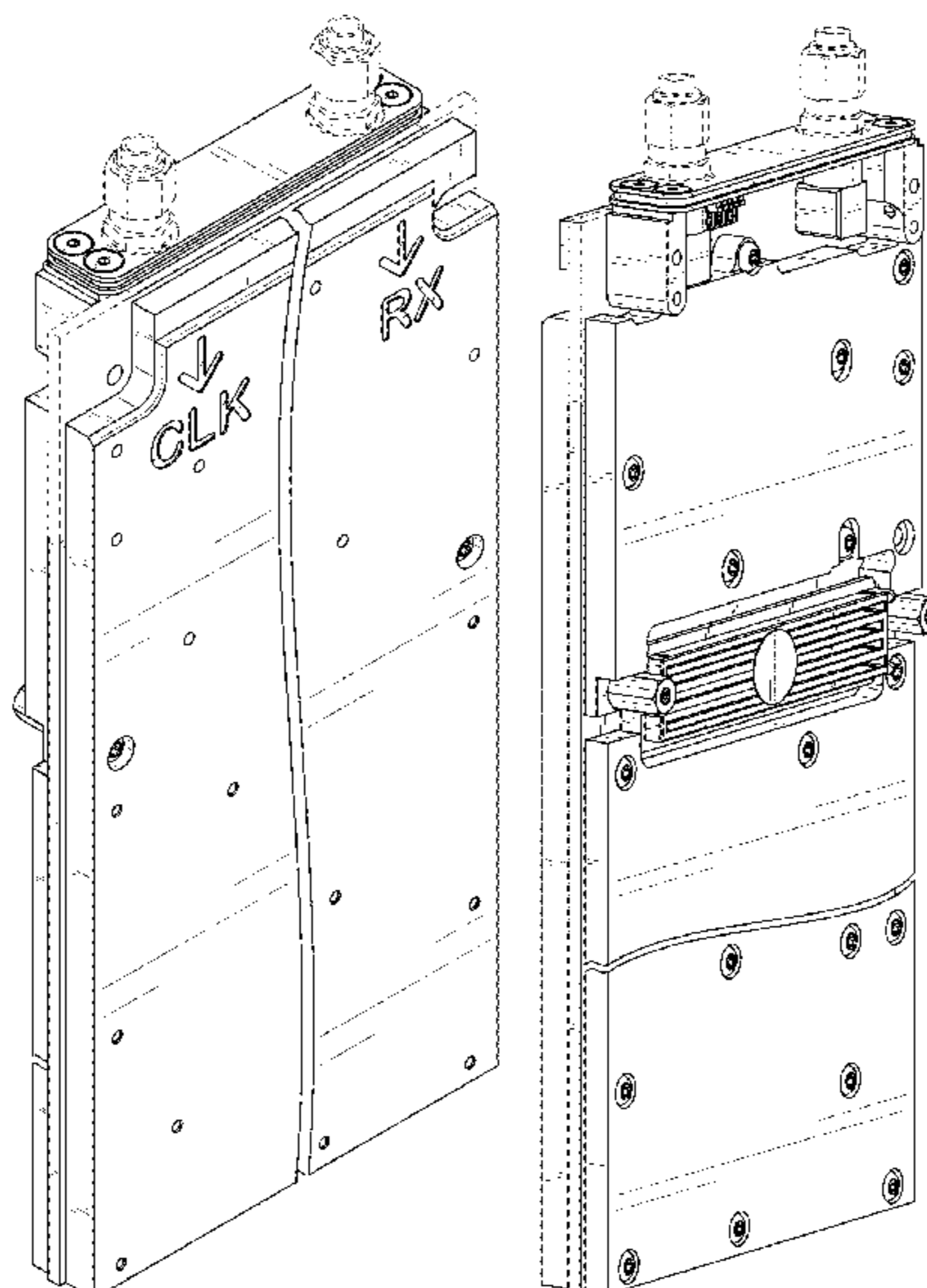
(57) **CLAIM**

The ornamental design for a mezzanine board, as shown and described.

**DESCRIPTION**

FIG. 1 is a right side, top perspective view of a mezzanine board showing our new design;  
 FIG. 2 is a top view thereof;  
 FIG. 3 is a bottom view thereof;  
 FIG. 4 is a left side view thereof;  
 FIG. 5 is a right side view thereof;  
 FIG. 6 is a front view thereof;  
 FIG. 7 is a rear view thereof; and,  
 FIG. 8 is a left side, bottom perspective view thereof.  
 The broken line portions form no part of the claimed design.

**1 Claim, 6 Drawing Sheets**



(56)

**References Cited**

U.S. PATENT DOCUMENTS

D647,072 S \* 10/2011 Bentley ..... D13/182  
8,425,236 B2 \* 4/2013 Cipolla ..... H01R 12/716  
439/59  
8,472,204 B2 \* 6/2013 Leibowitz ..... G06F 1/186  
361/736  
9,166,343 B1 \* 10/2015 Jeon ..... H01R 13/6587  
D745,476 S \* 12/2015 Ronse ..... D13/182  
9,236,673 B2 \* 1/2016 Jeon ..... H01R 12/716  
9,312,643 B2 \* 4/2016 Jeon ..... H01R 13/6587  
2012/0178273 A1 \* 7/2012 Cipolla ..... H01R 13/6587  
439/65  
2014/0017950 A1 \* 1/2014 Peloza ..... H01R 12/73  
439/629

\* cited by examiner

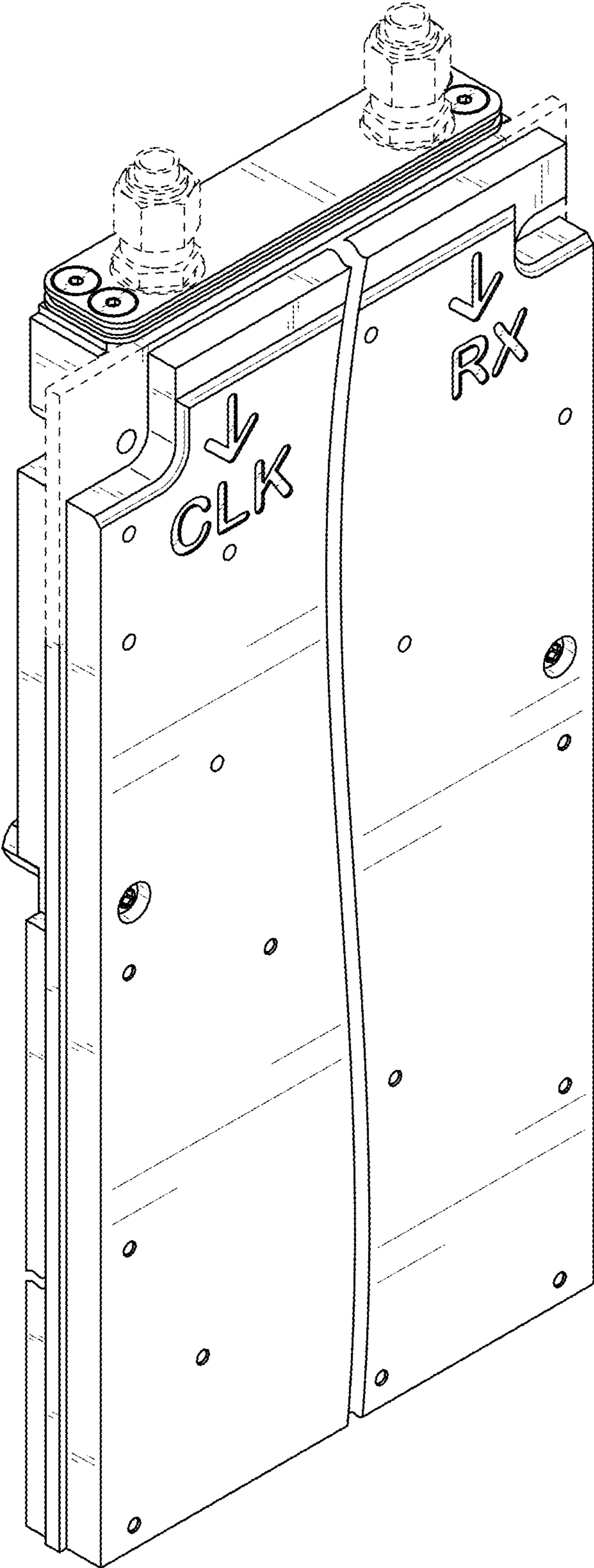


FIG. 1

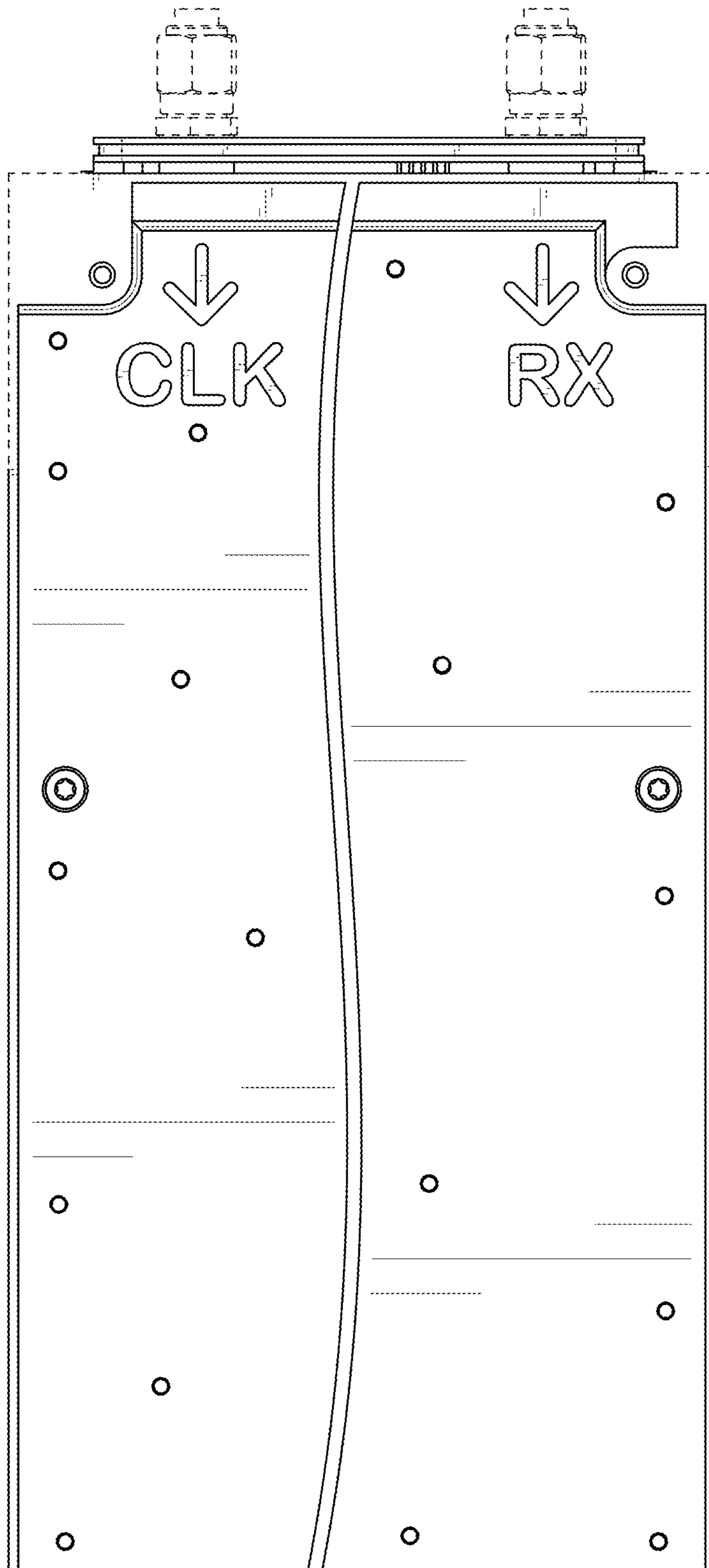


FIG. 2

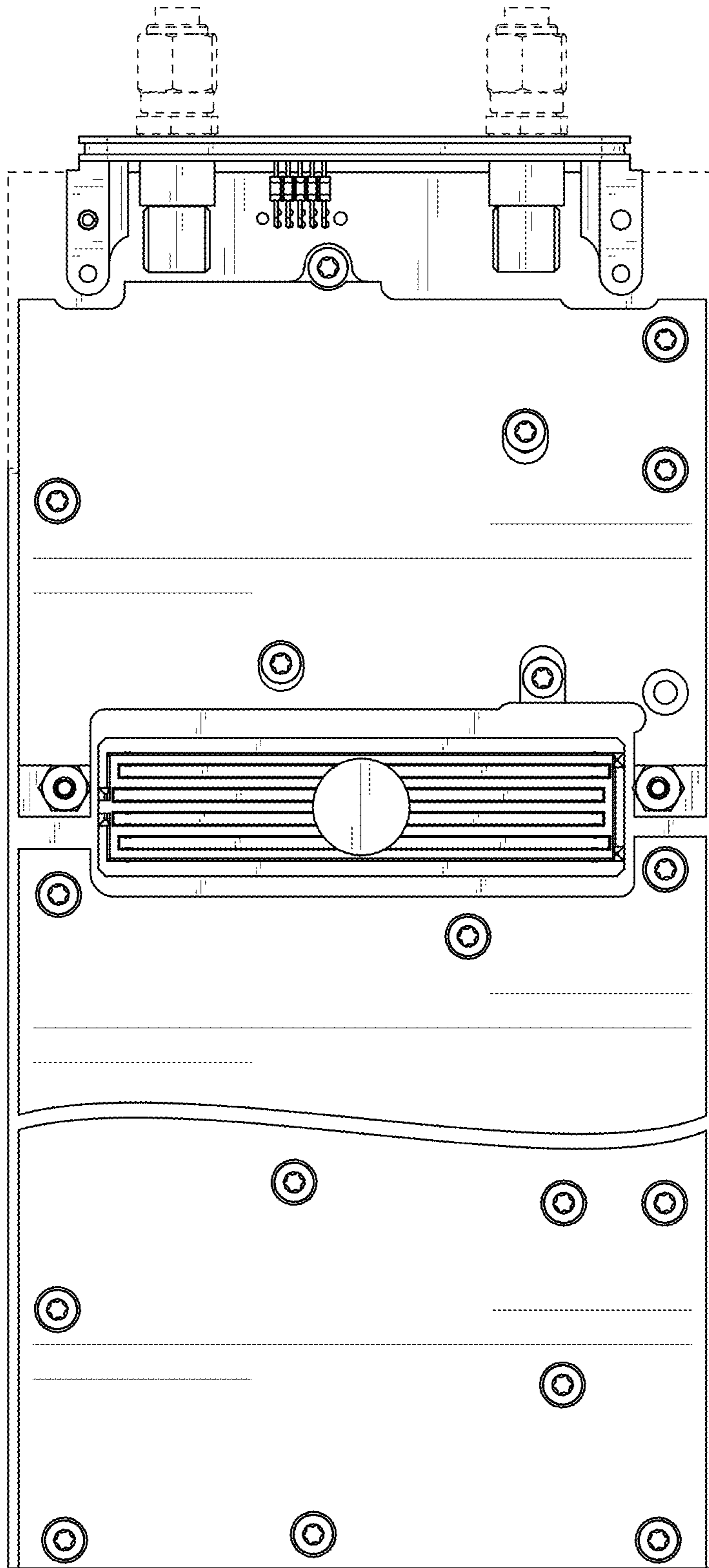


FIG. 3



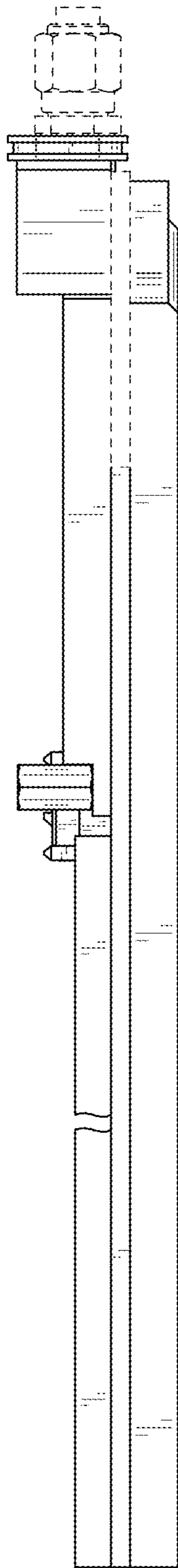


FIG. 4

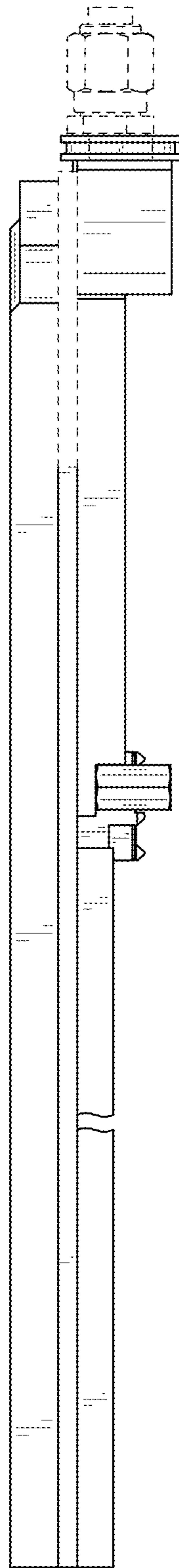
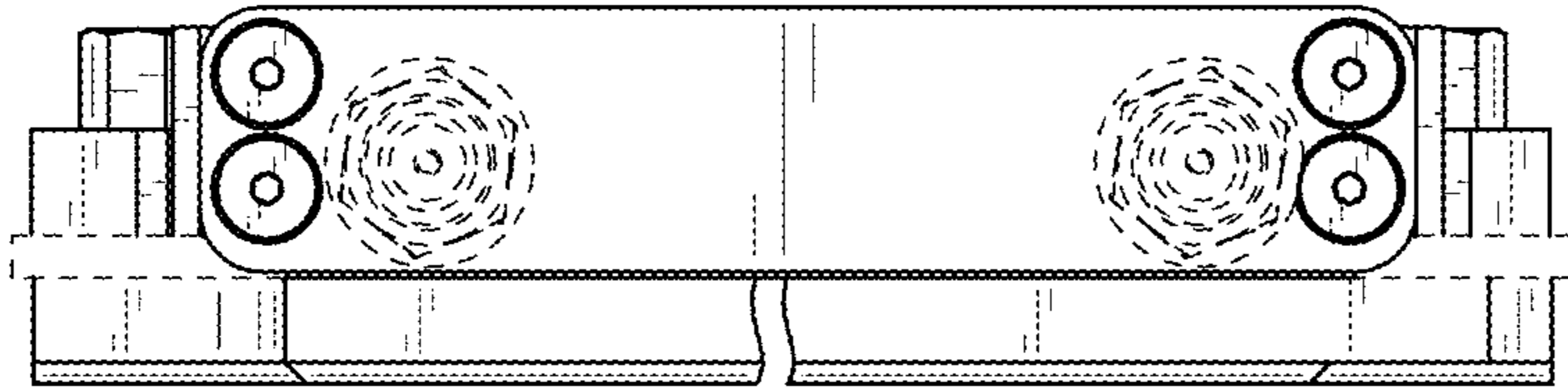
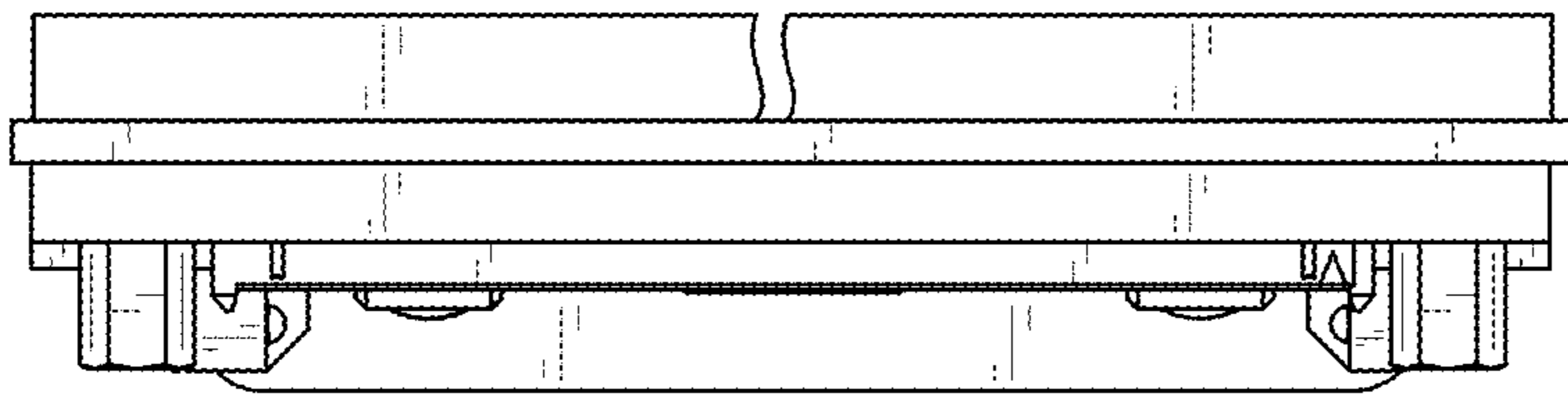


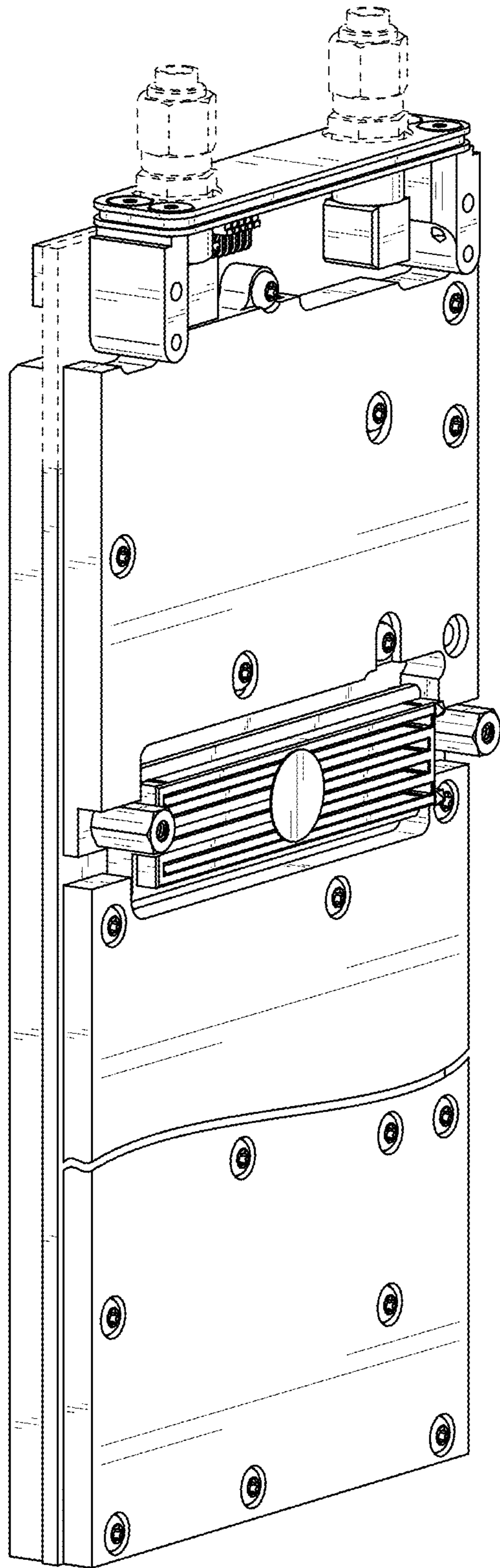
FIG. 5



**FIG. 6**



**FIG. 7**



**FIG. 8**