



US00D777121S

(12) **United States Design Patent** (10) **Patent No.:** **US D777,121 S**
Panaccione et al. (45) **Date of Patent:** **** Jan. 24, 2017**

(54) **LED PACKAGE**
(71) Applicant: **Luminus Devices, Inc.**, Billerica, MA (US)
(72) Inventors: **Paul Panaccione**, Newburyport, MA (US); **Scott W. Duncan**, Andover, MA (US); **Donald L. McDaniel, Jr.**, North Andover, MA (US)

D573,553 S * 7/2008 Uemoto et al. D13/180
D574,337 S * 8/2008 Panaccione et al. D13/180
D574,338 S 8/2008 Karlicek, Jr. et al.
D576,576 S * 9/2008 Shida et al. D13/180
D576,968 S * 9/2008 Panaccione et al. D13/180
D578,968 S 10/2008 Karlicek, Jr. et al.
7,482,640 B2 1/2009 Erchak et al.
D590,784 S 4/2009 Karlicek, Jr. et al.
7,524,080 B2 * 4/2009 Tu et al. 362/183

(Continued)

(73) Assignee: **Luminus Devices, Inc.**, Woburn, MA (US)

Primary Examiner — Selina Sikder
(74) *Attorney, Agent, or Firm* — Wolf, Greenfield & Sacks, P.C.

(**) Term: **14 Years**

(57) **CLAIM**

The ornamental design for an LED package, as shown and described.

(21) Appl. No.: **29/447,577**

DESCRIPTION

(22) Filed: **Mar. 5, 2013**
(51) **LOC (10) Cl.** **13-03**
(52) **U.S. Cl.**
USPC **D13/180**
(58) **Field of Classification Search**
USPC ... D13/171, 180; D26/1; 257/79, 80, 81, 88,
257/89, 95, 98, 99, 100, E33.058;
313/483, 498, 500; 362/555, 800
See application file for complete search history.

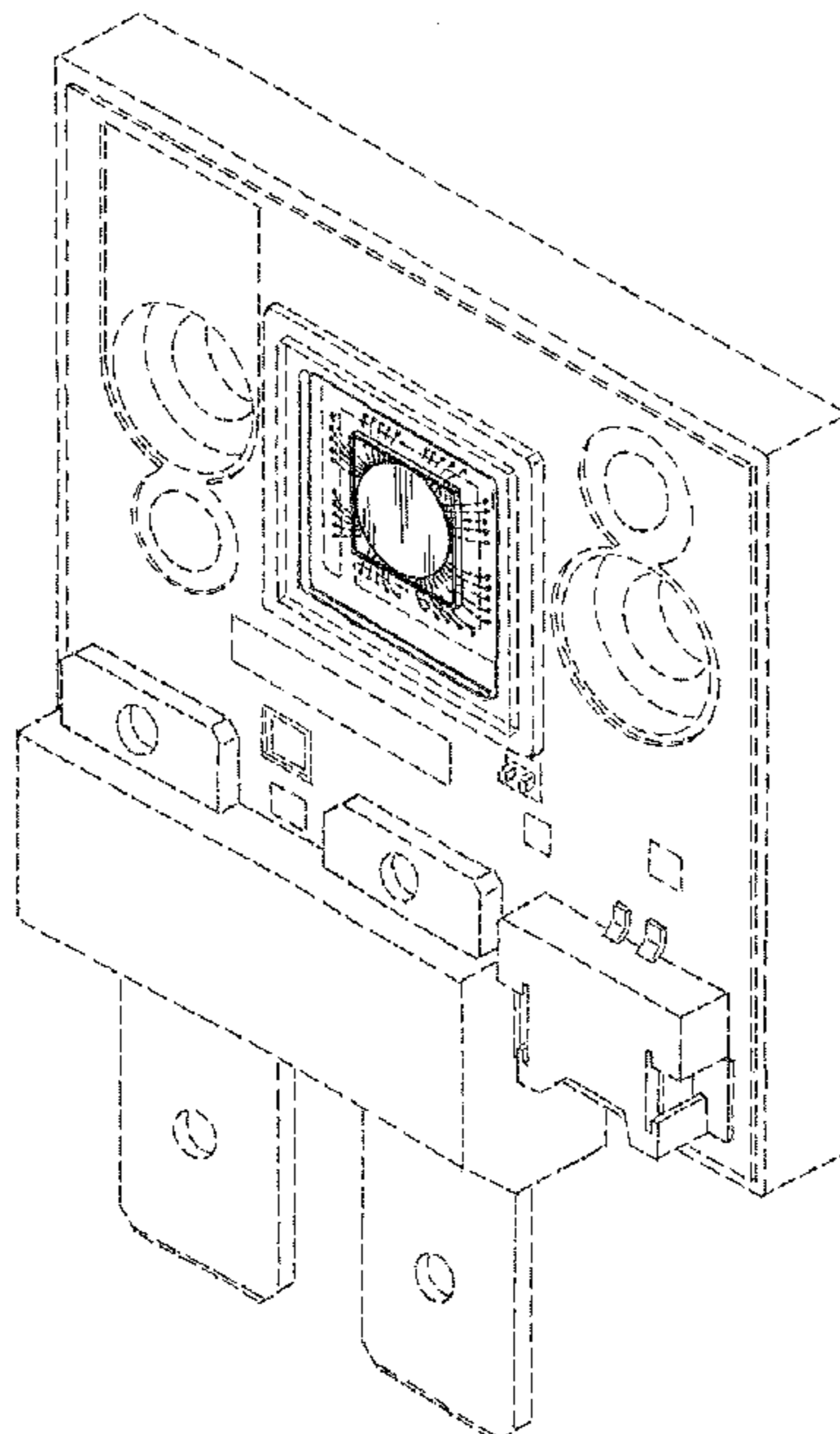
FIG. 1 is a front perspective view of the LED package;
FIG. 2 is a front view of the LED package;
FIG. 3 is a left side view of the LED package;
FIG. 4 is a right side view of the LED package;
FIG. 5 is a top side view of the LED package;
FIG. 6 is a bottom side view of the LED package;
FIG. 7 is a rear view of the LED package, opposite that of FIG. 2;
FIG. 8 is a magnified front perspective view showing a portion of the LED package shown in FIG. 1 for ease of illustration;
FIG. 9 is a magnified front view thereof;
FIG. 10 is a magnified top view thereof;
FIG. 11 is a magnified left side view thereof; and,
FIG. 12 is a front perspective view of the LED package thereof showing an alternate environment.
The broken lines shown are included for illustrative purposes only and form no part of the claimed design.

(56) **References Cited**

U.S. PATENT DOCUMENTS

D223,304 S * 4/1972 Doggart D10/118
D294,231 S * 2/1988 Cameron et al. D10/106.6
5,011,005 A * 4/1991 Boyd et al. 206/0.81
D387,453 S * 12/1997 Protzek D26/39
6,586,721 B2 * 7/2003 Estevez-Garcia 250/221
6,831,302 B2 12/2004 Erchak et al.
D510,566 S * 10/2005 Johanneck et al. D13/171
D512,694 S * 12/2005 Kim et al. D13/180

1 Claim, 5 Drawing Sheets



(56)

References Cited

U.S. PATENT DOCUMENTS

D593,043 S * 5/2009 Song D13/180
D603,352 S * 11/2009 Panaccione et al. D13/180
D606,021 S * 12/2009 Panaccione et al. D13/133
7,692,207 B2 4/2010 Erchak et al.
D615,052 S * 5/2010 Imai et al. D13/180
D617,289 S * 6/2010 Panaccione et al. D13/180
D618,635 S * 6/2010 Imai et al. D13/180
D622,663 S * 8/2010 Panaccione et al. D13/147
D623,608 S * 9/2010 Panaccione et al. D13/180
D623,609 S * 9/2010 Panaccione et al. D13/180
D624,029 S * 9/2010 Panaccione et al. D13/180
D637,564 S * 5/2011 Tseng et al. D13/180
8,030,676 B2 * 10/2011 Lin 257/99
D650,760 S * 12/2011 Hussell et al. D13/180
D658,603 S * 5/2012 Egawa et al. D13/180
D669,041 S * 10/2012 Imai et al. D13/180
D686,581 S 7/2013 Lim et al.
D689,451 S * 9/2013 Shimonishi et al. D13/180
8,643,266 B2 2/2014 Pumyea et al.
8,872,217 B2 10/2014 Brown et al.
D721,339 S * 1/2015 Hussell et al. D13/180
D726,131 S 4/2015 Zhai et al.
2004/0196663 A1 * 10/2004 Ishida et al. 362/539
2005/0264172 A1 * 12/2005 Wojnarowski et al. 313/498
2007/0018295 A1 * 1/2007 Kim et al. 257/678
2007/0085082 A1 * 4/2007 Erchak et al. 257/79
2007/0165392 A1 * 7/2007 Sun et al. 361/831
2010/0230709 A1 * 9/2010 Kanno 257/99

* cited by examiner

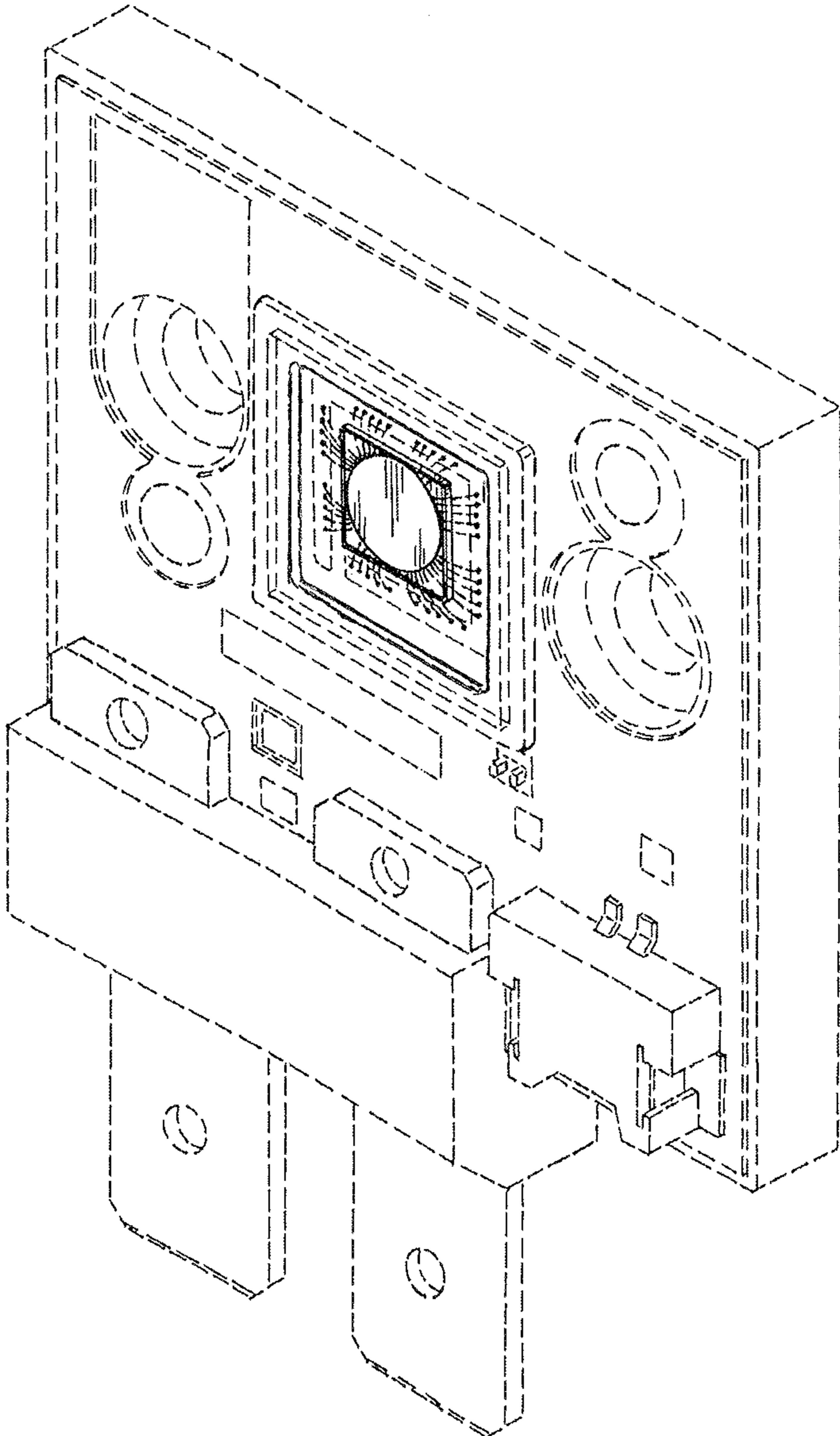


Fig. 1

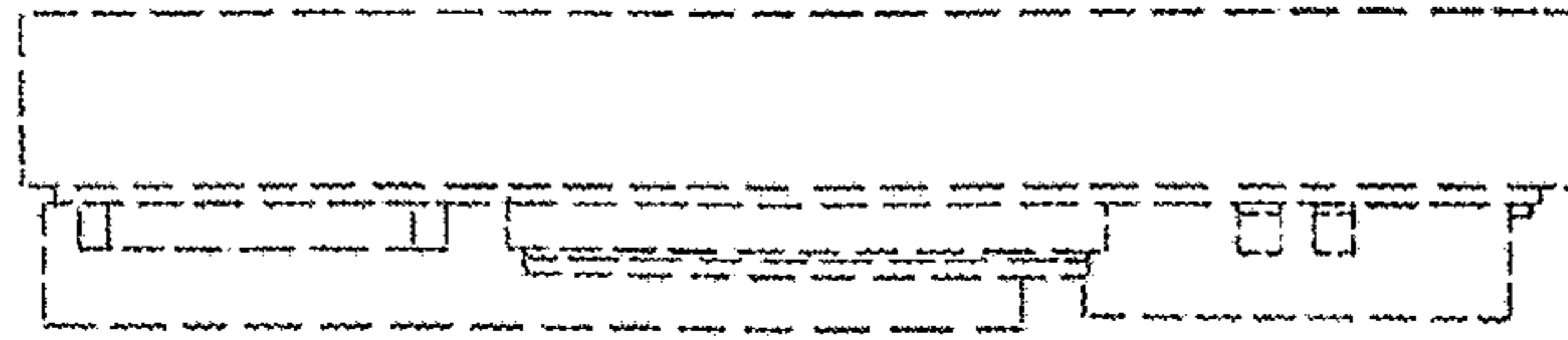


Fig. 5

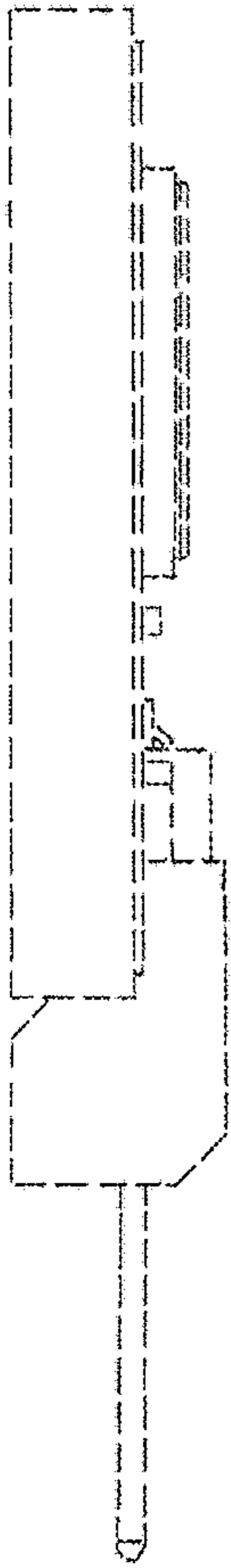


Fig. 3

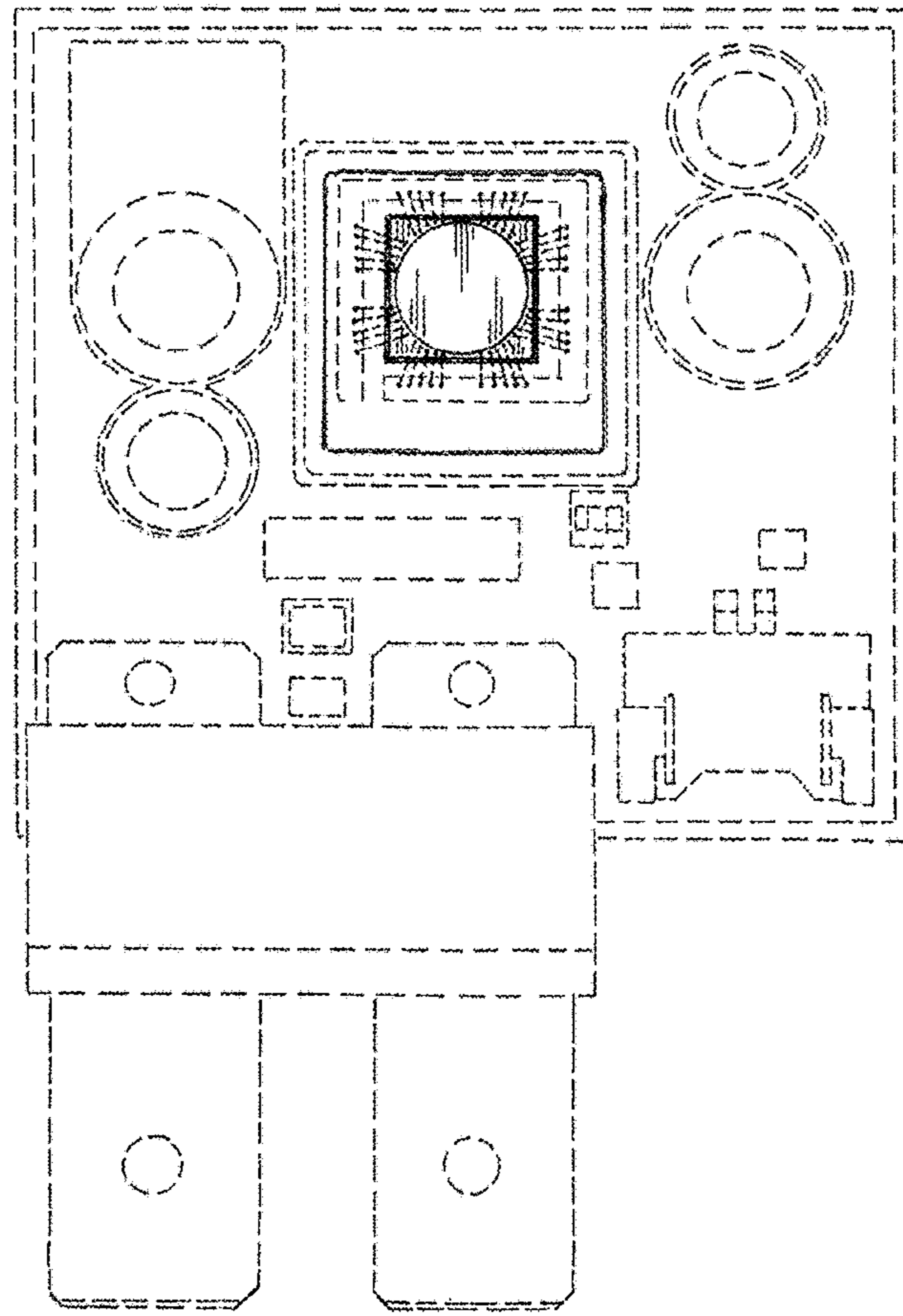


Fig. 2

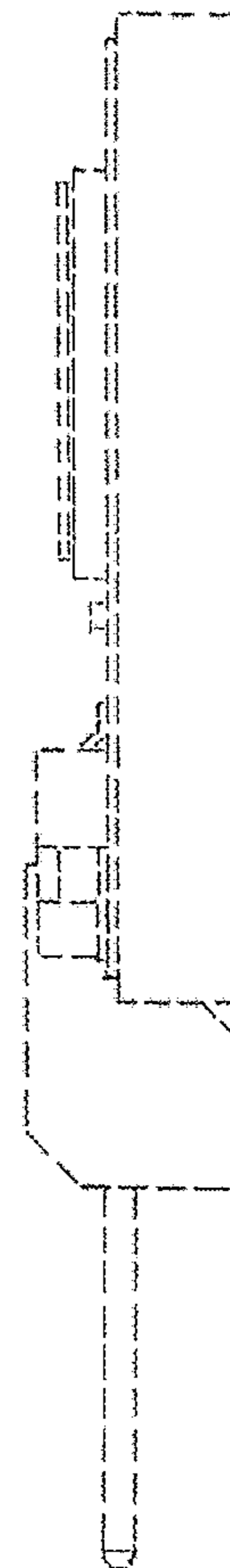


Fig. 4

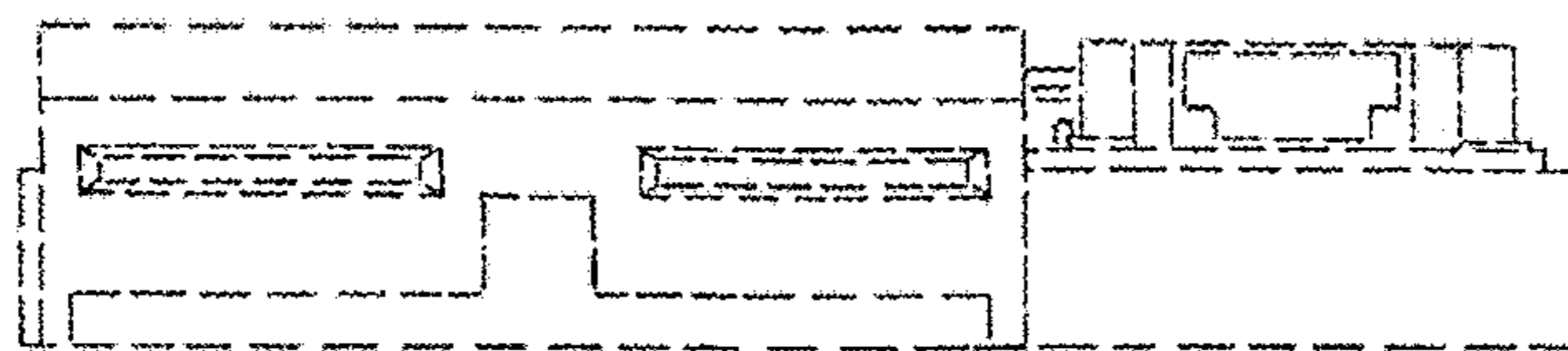


Fig. 6

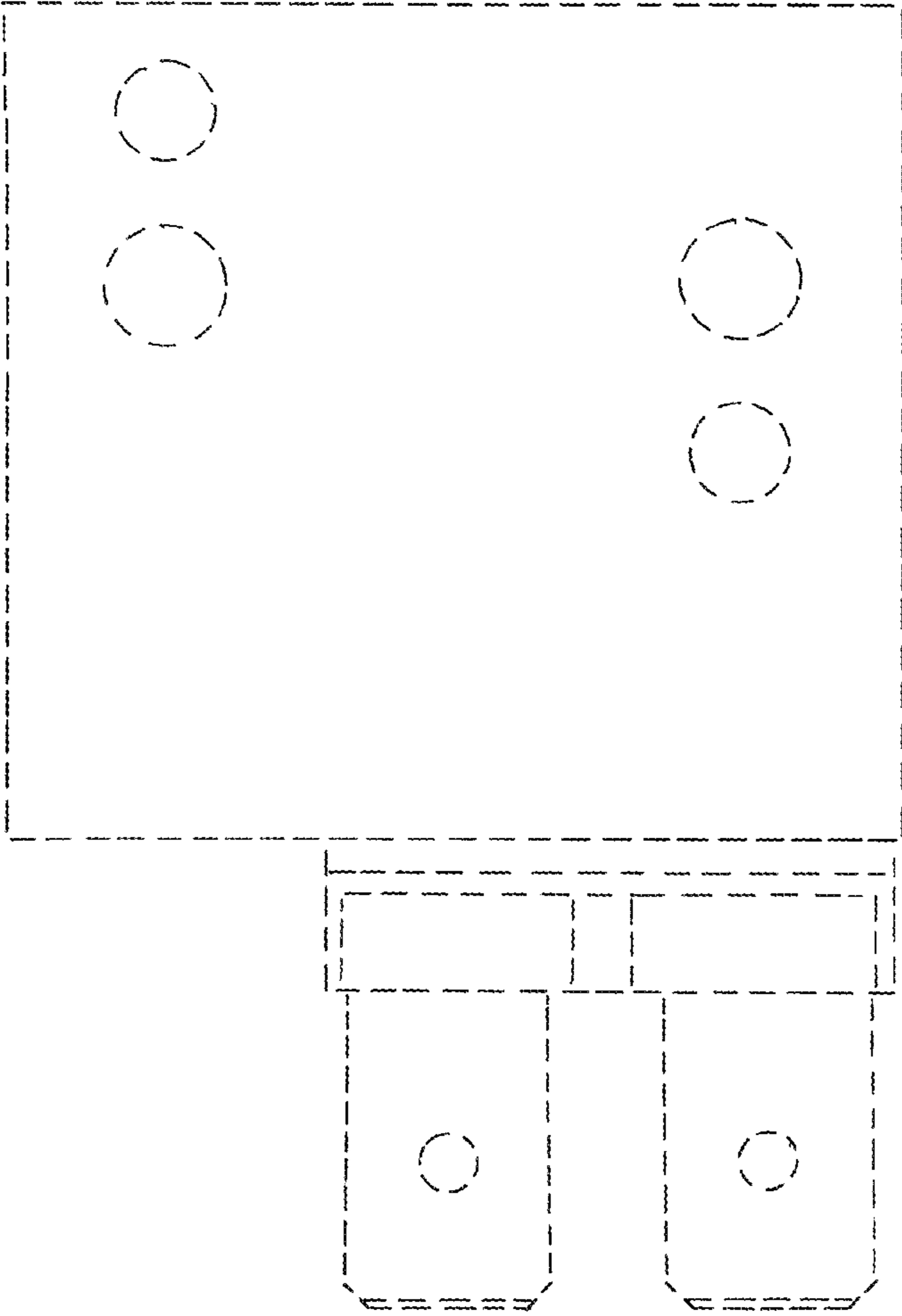


Fig. 7

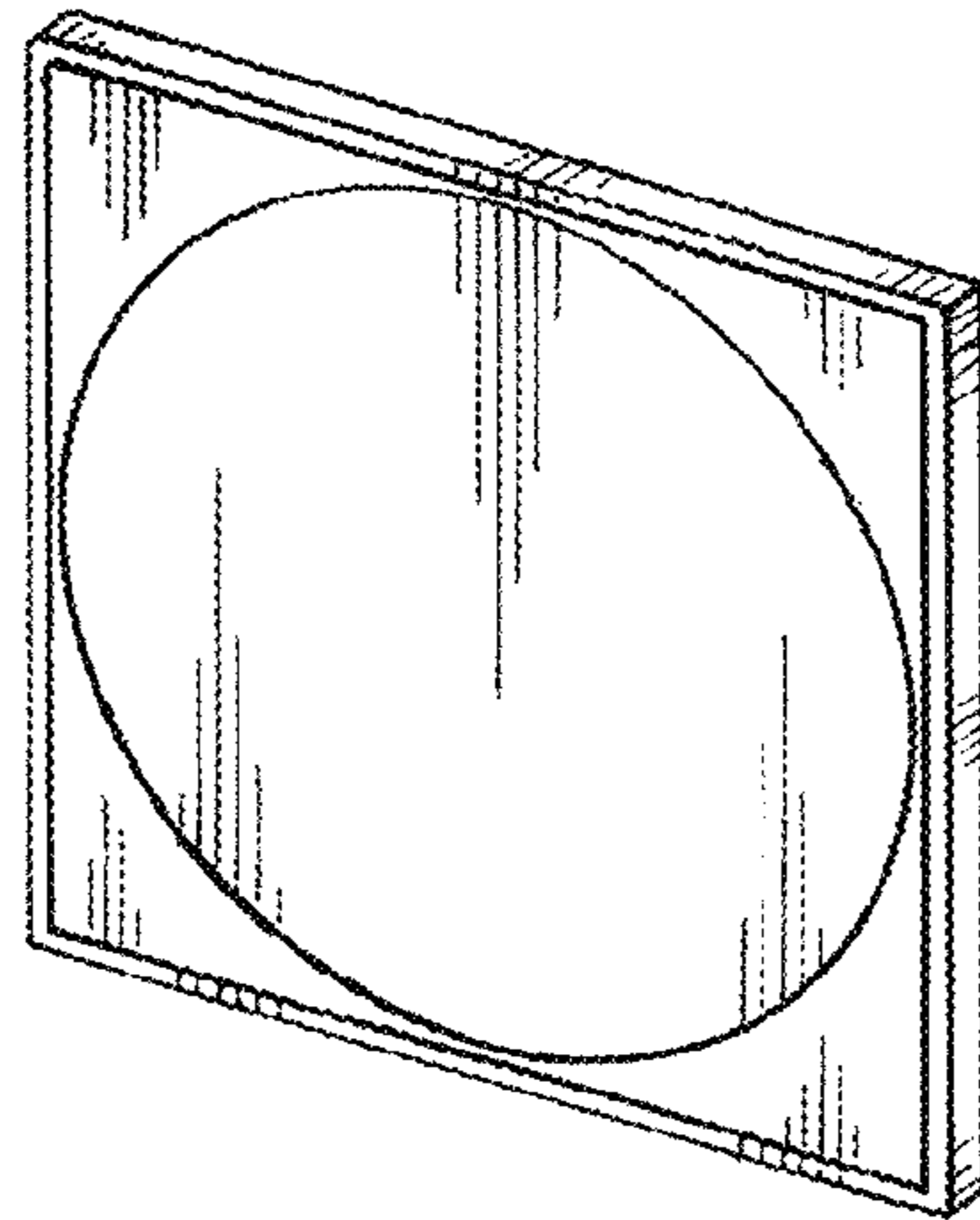


Fig. 8

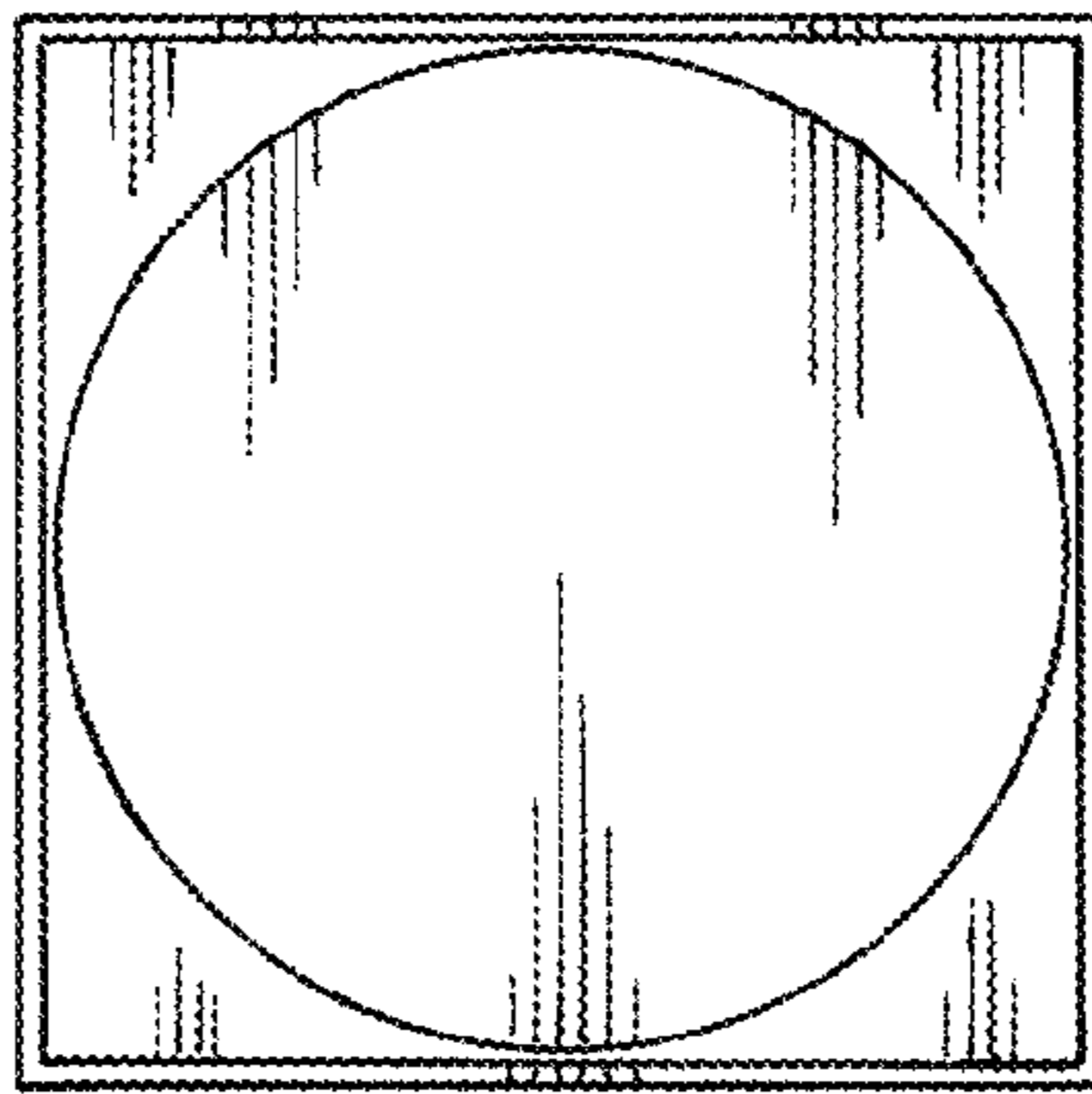


Fig. 9



Fig. 10



Fig. 11

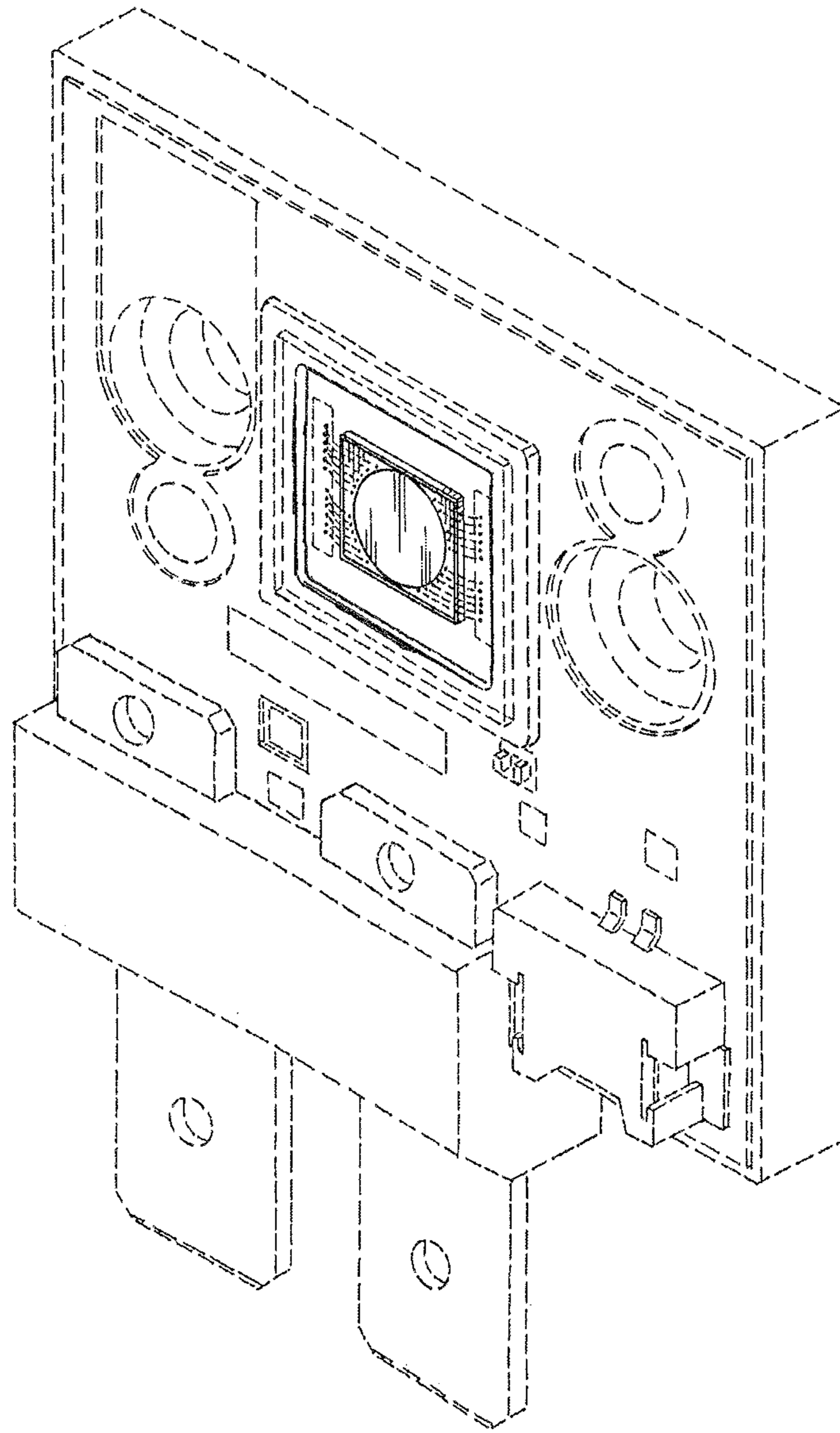


Fig. 12