



US00D777120S

(12) **United States Design Patent** (10) **Patent No.:** **US D777,120 S**
Takahashi et al. (45) **Date of Patent:** **** Jan. 24, 2017**

(54) **BOX COVER FOR LIMIT SWITCH**

(56) **References Cited**

(71) Applicant: **OMRON Corporation**, Kyoto-shi, Kyoto (JP)

U.S. PATENT DOCUMENTS

(72) Inventors: **Manabu Takahashi**, Okayama (JP); **Shinya Katsube**, Okayama (JP); **Yuki Yamamoto**, Okayama (JP); **Yasuhiro Tanoue**, Otsu (JP); **Kokichi Tobita**, Unnan (JP); **Kazuyuki Tsukimori**, Okayama (JP)

138,314	A	*	4/1873	Bruhl	A44C 17/001
					63/32
D102,226	S	*	12/1936	Feuerstein	D11/227
D202,348	S		9/1965	Cochrane	
D272,848	S		2/1984	Koziol	
D300,673	S	*	4/1989	Rhoa	D24/101
D316,914	S	*	5/1991	Withington	D24/101
D342,193	S	*	12/1993	Smith	D7/629
D390,197	S		2/1998	Thomas	
D407,463	S	*	3/1999	Outlaw	D23/207
D456,561	S	*	4/2002	Freeman	D28/8.2
6,365,850	B1		4/2002	Arnold et al.	
D456,783	S		5/2002	Mayo et al.	
6,501,040	B2		12/2002	Hall et al.	
D475,623	S		6/2003	Cooper	

(73) Assignee: **OMRON CORPORATION**, Kyoto (JP)

(**) Term: **15 Years**

(21) Appl. No.: **29/542,272**

(22) Filed: **Oct. 13, 2015**

Related U.S. Application Data

(62) Division of application No. 29/481,185, filed on Feb. 3, 2014, now Pat. No. Des. 751,997.

(30) **Foreign Application Priority Data**

Aug. 8, 2013 (JP) 2013-018215
Aug. 8, 2013 (JP) 2013-018216

(51) **LOC (10) Cl.** **13-03**

(52) **U.S. Cl.**
USPC **D13/174**

(58) **Field of Classification Search**
USPC D13/158, 171, 173, 174; D11/40, 89, 90, D11/200, 222, 227; D1/127; D24/101
CPC H01H 3/022; H01H 3/0226; H01H 3/12; H01H 3/16; H01H 3/42; H01H 3/122; H01H 9/0235; H01H 13/023; H01H 13/04; H01H 13/14; H01H 13/86; H01H 21/28

See application file for complete search history.

(Continued)

Primary Examiner — Selina Sikder

(74) *Attorney, Agent, or Firm* — Harness, Dickey & Pierce, P.L.C.

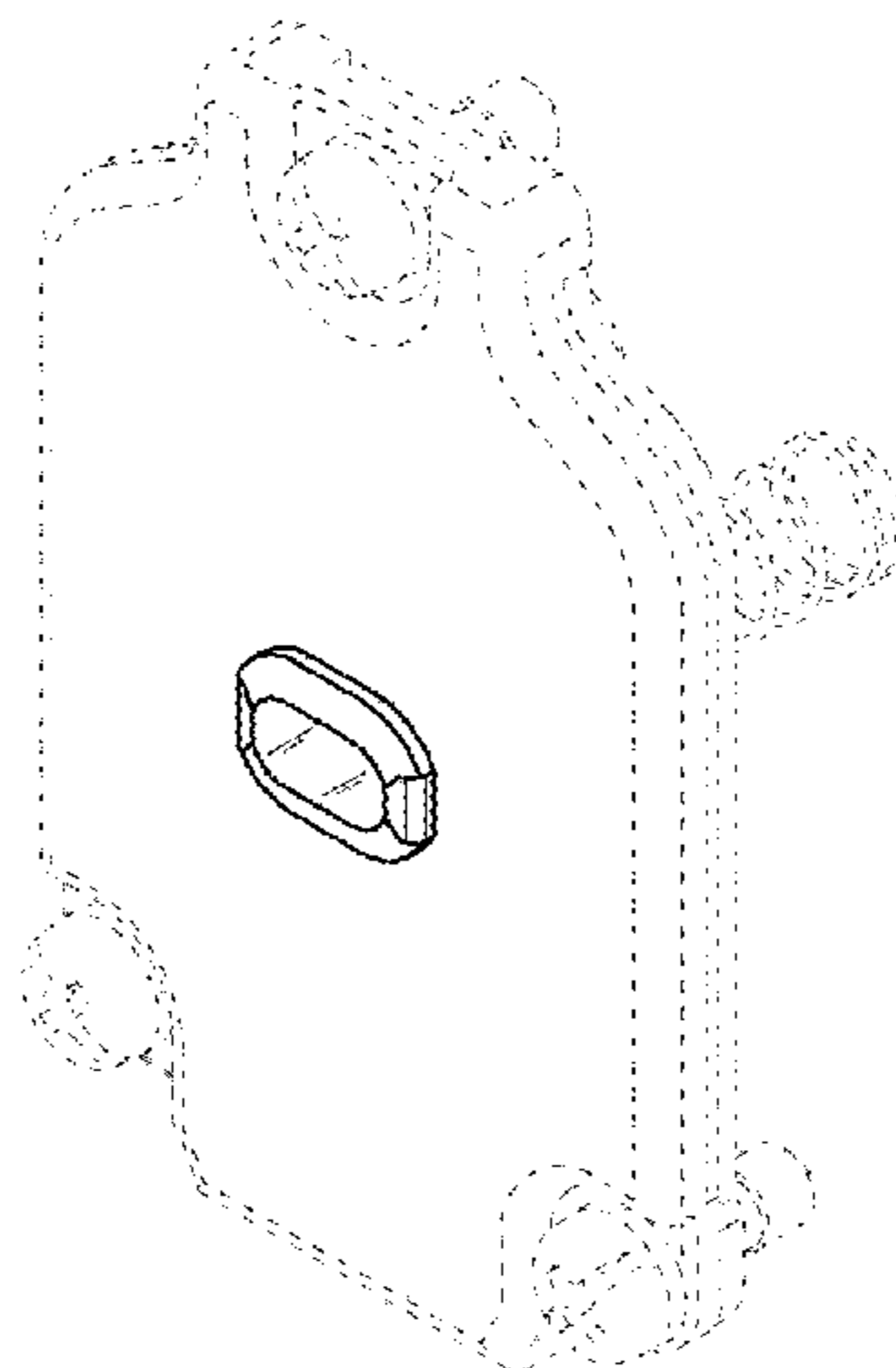
(57) **CLAIM**

The ornamental design for a box cover for limit switch, as shown and described.

DESCRIPTION

FIG. 1 is a perspective view of a box cover for limit switch showing our new design; FIG. 2 is a front elevational view thereof; FIG. 3 is a rear elevational view thereof; FIG. 4 is a left side view thereof; FIG. 5 is a right side view thereof; FIG. 6 is a top plan view thereof; and, FIG. 7 is a bottom plan view thereof. The broken lines depict environmental subject matter only and form no part of the claimed design. The oblique short lines in FIGS. 1 and 2 views are intended to illustrate that the surface is translucent.

1 Claim, 3 Drawing Sheets



(56)

References Cited

U.S. PATENT DOCUMENTS

6,635,833	B2	10/2003	Vignaud	
D502,123	S	2/2005	Wilson	
D514,072	S	1/2006	Martinez	
D518,001	S	3/2006	Chen	
D526,282	S	8/2006	Chen	
D550,632	S	9/2007	Samuels et al.	
D592,377	S *	5/2009	Lee	D1/127
D627,128	S *	11/2010	El Saifi	D1/127
D649,738	S *	12/2011	Hollmann	D1/106
D666,286	S *	8/2012	Chery	D24/101
D692,395	S	10/2013	Takahashi et al.	
D751,997	S *	3/2016	Takahashi	D13/174
2002/0175058	A1	11/2002	Mohtasham	
2010/0044204	A1	2/2010	Mohtasham et al.	
2010/0307897	A1	12/2010	Marsh	
2013/0134019	A1	5/2013	Aletti	
2014/0000409	A1 *	1/2014	Hayase	B65G 43/08 74/519
2014/0326586	A1	11/2014	Tsukimori et al.	

* cited by examiner

Fig. 1

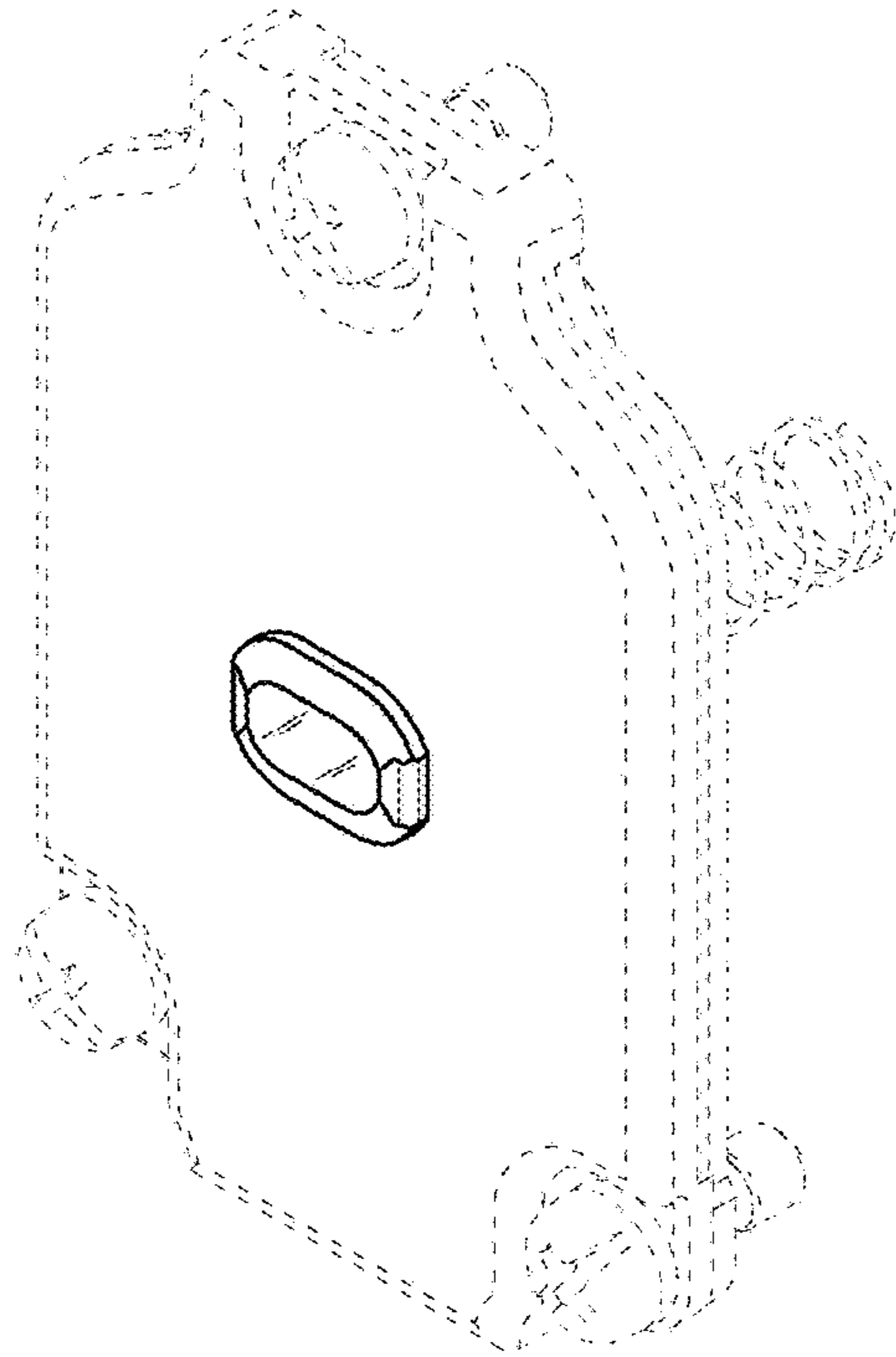


Fig. 2

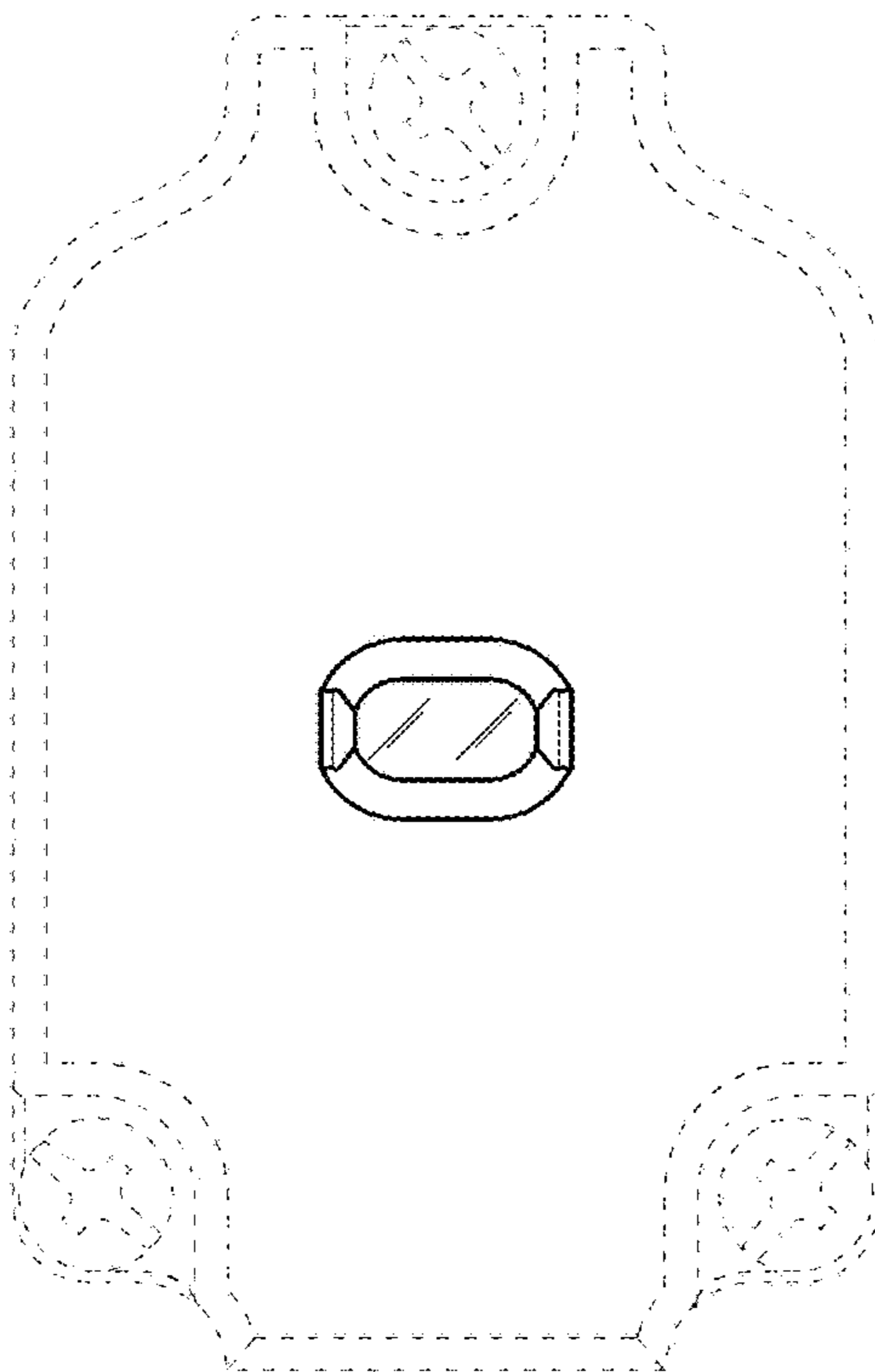


Fig. 3

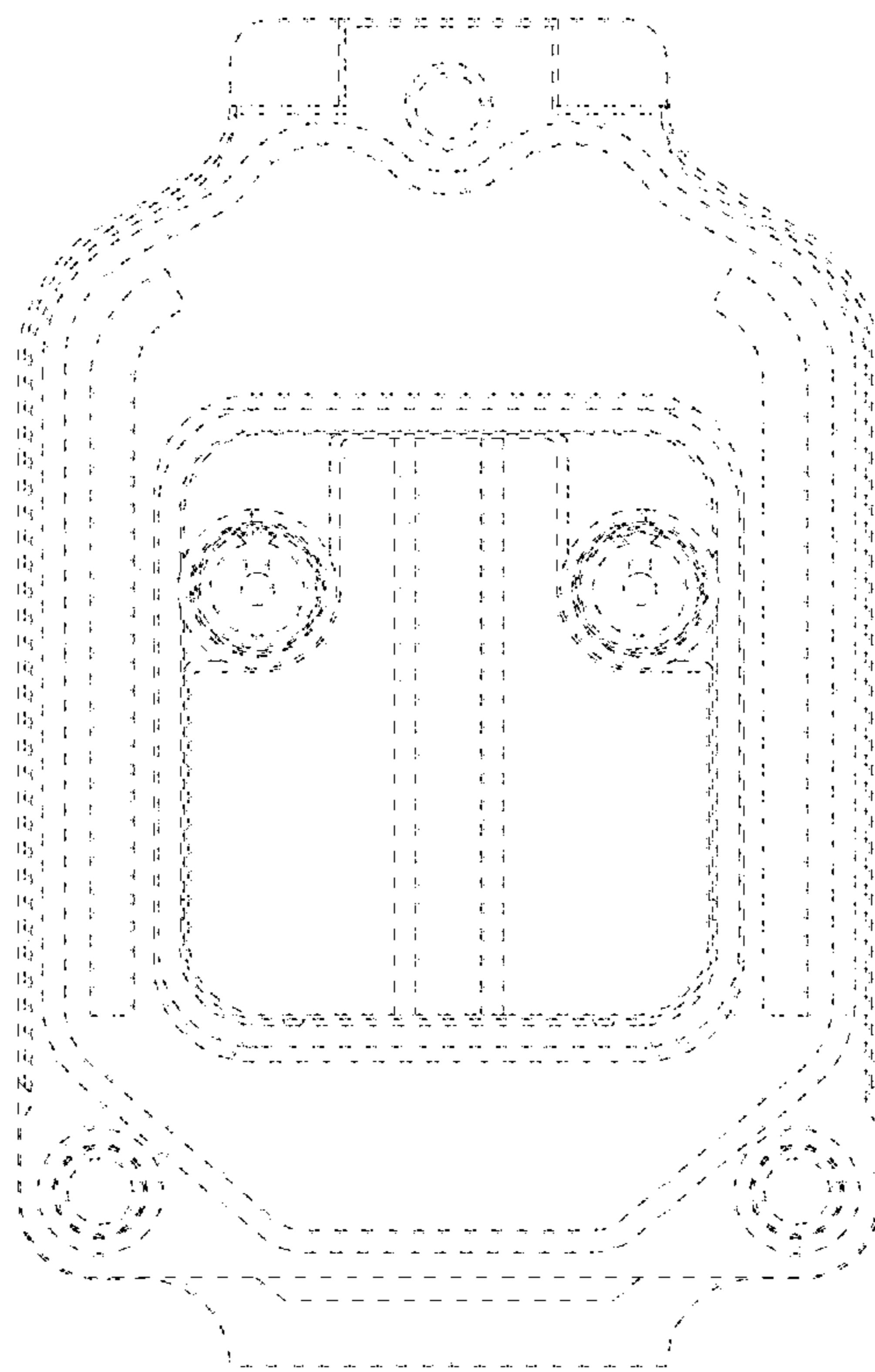


Fig. 4

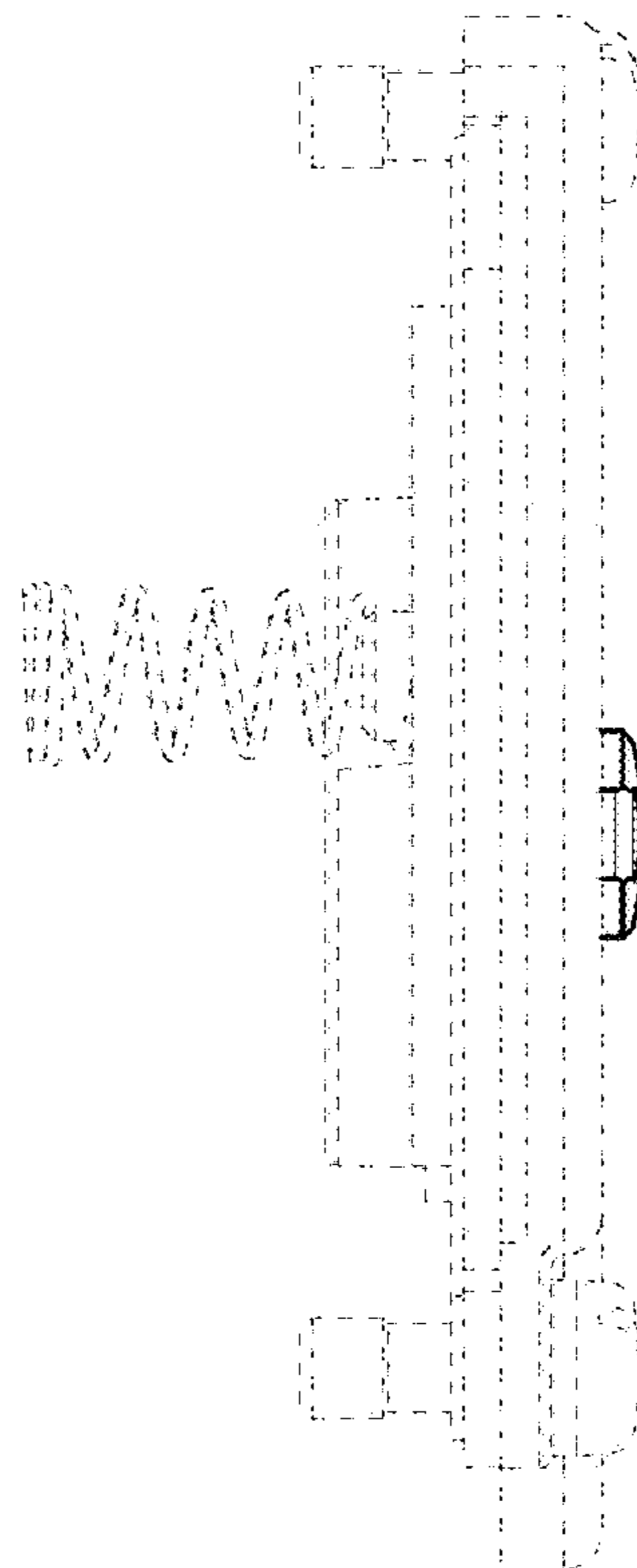


Fig. 5

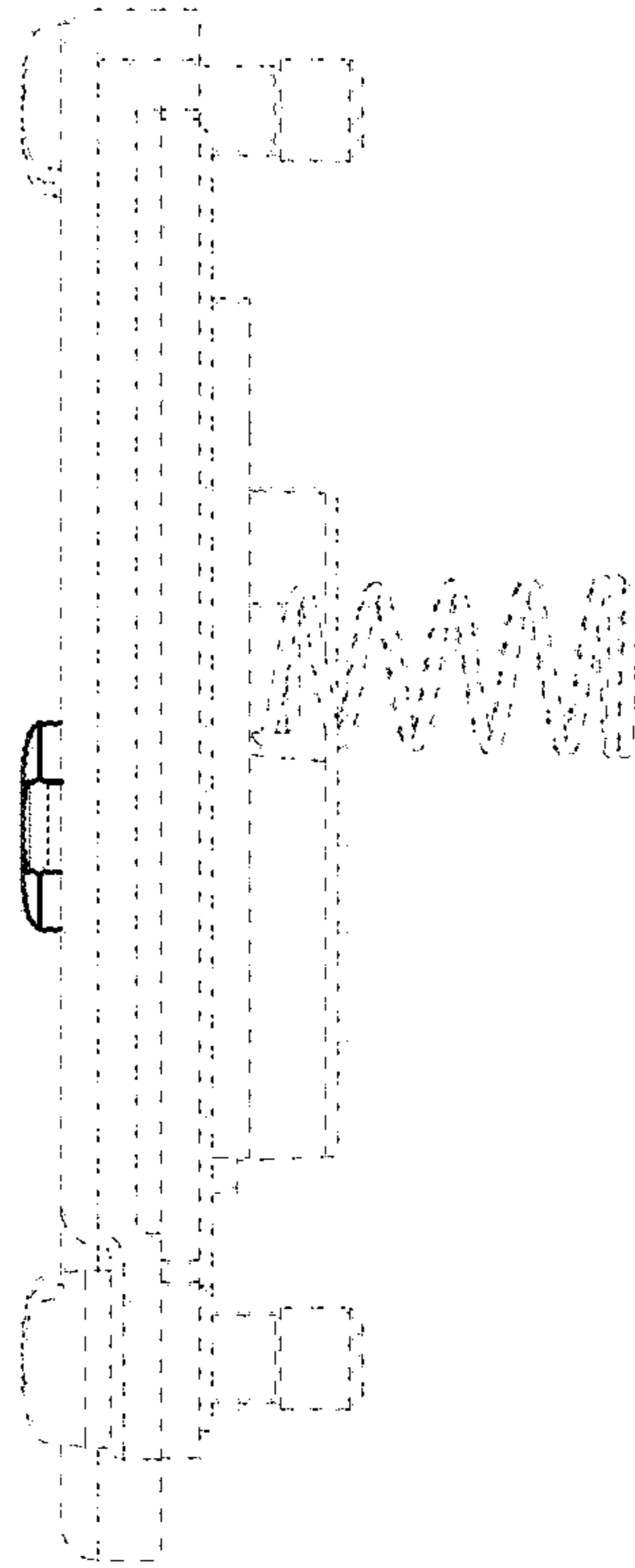


Fig. 6

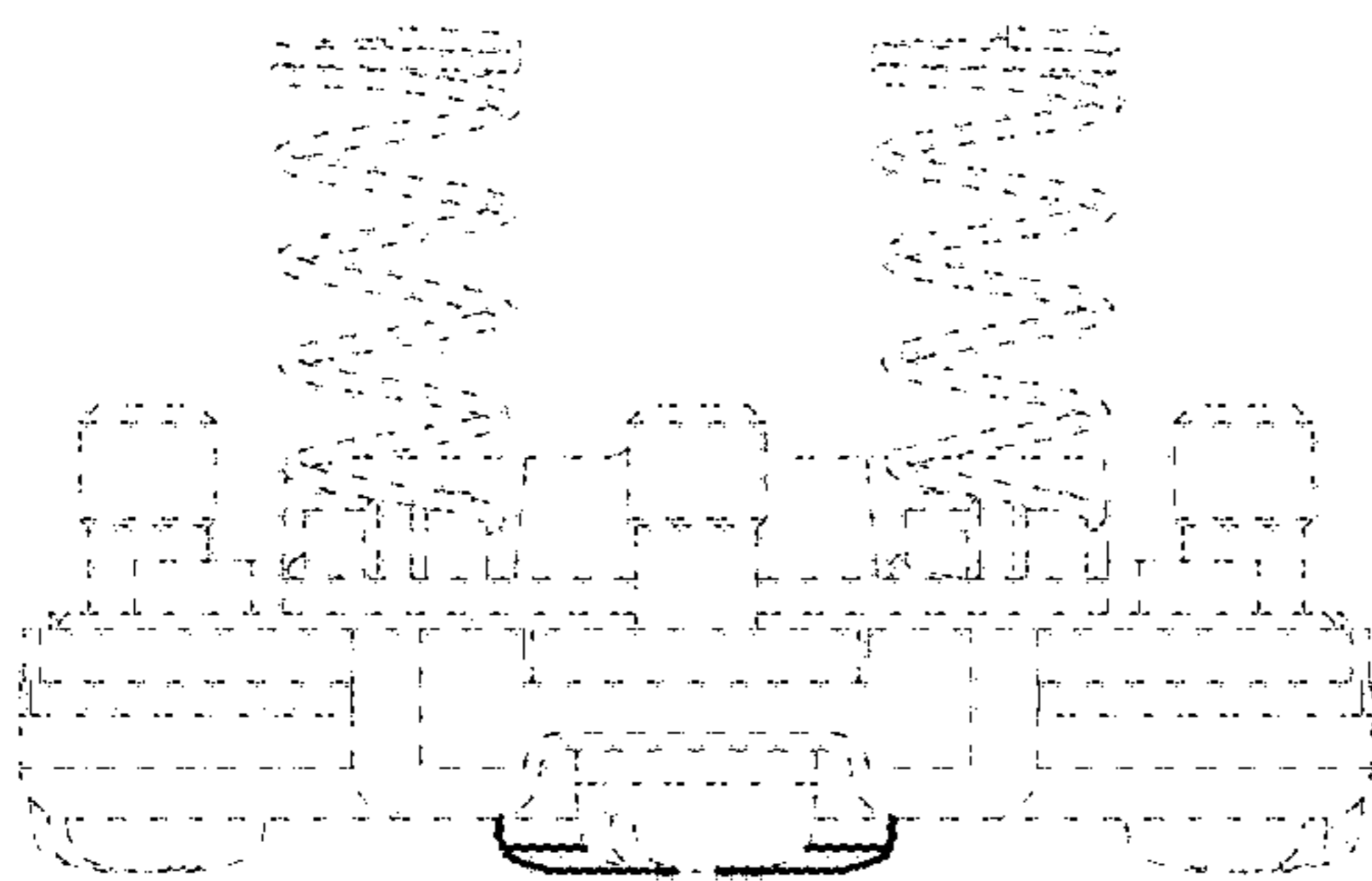


Fig. 7

