



US00D777118S

(12) **United States Design Patent** (10) **Patent No.:** **US D777,118 S**
Gaiduk et al. (45) **Date of Patent:** **** Jan. 24, 2017**

(54) **COMBINED TOUCHPAD, OPERATING KNOBS AND DISPLAY MODULE FOR ELECTRICAL CONTROL DEVICE**

(71) Applicant: **Carl Zeiss Microscopy GmbH**, Jena (DE)

(72) Inventors: **Alexander Gaiduk**, Jena (DE); **Wolf Jockusch**, Göttingen (DE); **Dominik Stehr**, Jena (DE); **Robert Schrem**, Stuttgart (DE); **Peter Weber**, Altensteig (DE); **Benno Radt**, Jena (DE)

(73) Assignee: **Carl Zeiss Microscopy GmbH**, Jena (DE)

(**) Term: **14 Years**

(21) Appl. No.: **29/492,821**

(22) Filed: **Jun. 3, 2014**

(30) **Foreign Application Priority Data**

Dec. 3, 2013 (DE) 40 2013 200 191

(51) **LOC (10) Cl.** **13-03**

(52) **U.S. Cl.**
USPC **D13/162**; D14/388; D16/130

(58) **Field of Classification Search**
USPC D14/388, 402-407, 408, 410; D13/162, D13/164, 168, 171, 184, 123, 158; D10/49, 104.1, 106.1, 106.5, 106.95; 455/556.1, 566, 575.1, 575.3, 575.4; 348/79, 706; D18/4.4, 4.5, 41, 50; D16/130, 131, 136, 225, 237; 341/20; 345/156, 167, 168, 175; 359/381, 392, 359/393, 221, 225

(Continued)

(56) **References Cited**

U.S. PATENT DOCUMENTS

D247,746 S * 4/1978 Hall D13/168
D270,725 S * 9/1983 Fenne D13/164

(Continued)

OTHER PUBLICATIONS

Control Device by Carl Zeiss Microscopy. (Design -© Questel). orbit.com [online PDF] 13 pages. Publish date ranges from Apr. 4, 2014 through Feb. 11, 2015 [retrieved on Feb. 11, 2016]. Retrieved from Internet: <http://sobjprd.questel.fr/export/QPTUJ214/pdf2/c1a21c60-dfa7-46e9-b282-38aaf814baa3-191836.pdf>.*

(Continued)

Primary Examiner — Susan Bennett Hattan

Assistant Examiner — Marie Fast Horse

(74) *Attorney, Agent, or Firm* — Nixon Peabody LLP; Jeffrey L. Costellia

(57) **CLAIM**

The ornamental design for combined touchpad, operating knob and display module for electrical control device, as shown and described.

DESCRIPTION

FIG. 1 is a top left perspective view of combined touchpad, operating knobs and display module for electrical control device according to an embodiment of the invention;

FIG. 2 is a top right perspective view of combined touchpad, operating knobs and display module for electrical control device thereof;

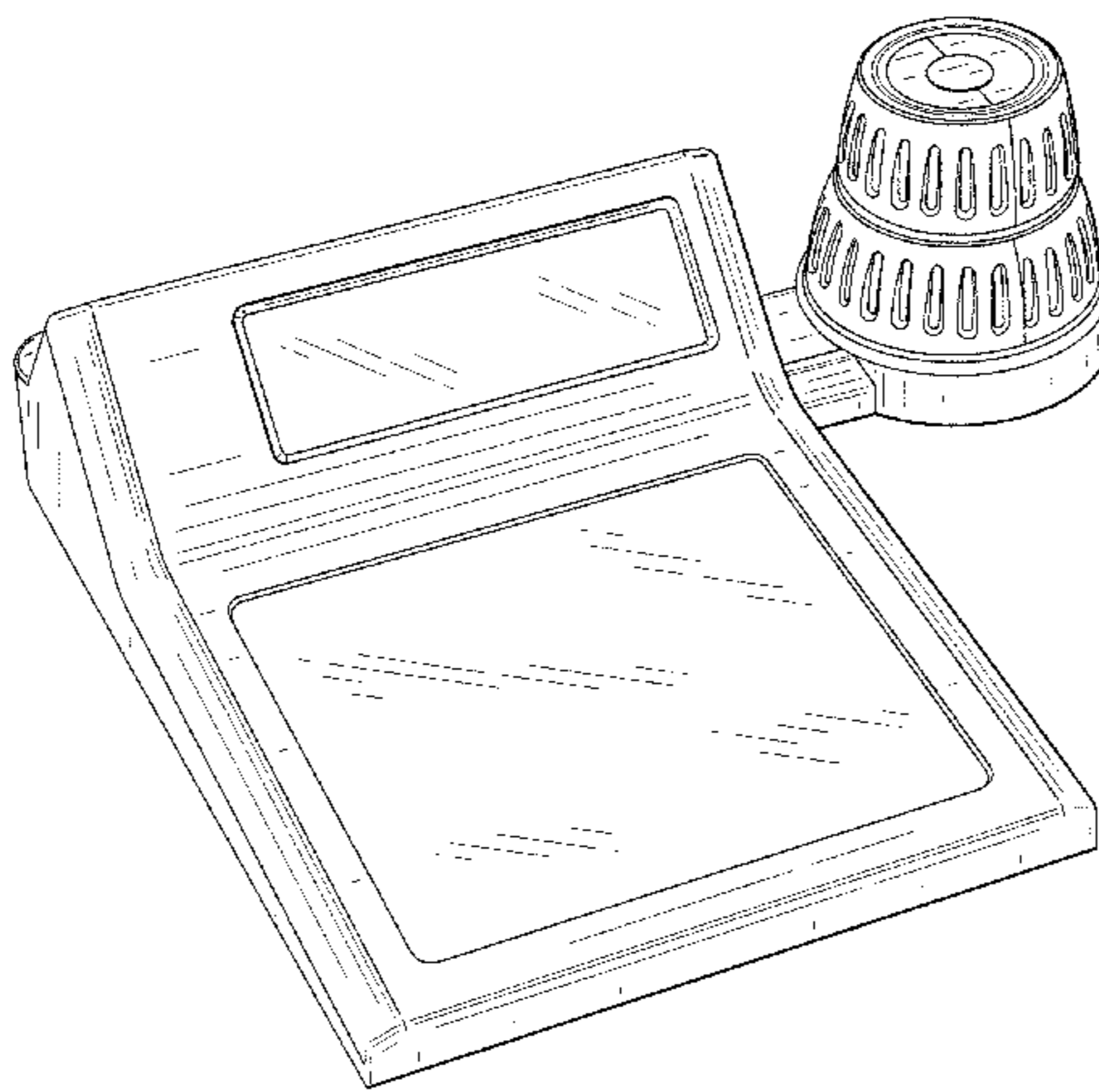
FIG. 3 is a top view of combined touchpad, operating knobs and display module for electrical control device thereof;

FIG. 4 is a bottom view of combined touchpad, operating knobs and display module for electrical control device thereof; and,

FIG. 5 is a top left perspective view of combined touchpad, operating knobs and display module for electrical control device thereof shown with additional environment.

The broken lines in FIG. 4 depict parts of the combined touchpad, operating knob and display module for electrical control device that form no part of the claimed design, while the broken lines in FIG. 5, showing the keyboard depict environmental subject matter only and form no part of the claim.

1 Claim, 5 Drawing Sheets



US D777,118 S

Page 2

(58) **Field of Classification Search**

CPC B29C 45/77; G06F 3/04847; G05B 19/409;
G02B 21/24; G02B 21/365; H04N
5/23216

See application file for complete search history.

(56) **References Cited**

U.S. PATENT DOCUMENTS

4,469,330 A * 9/1984 Asher A63F 13/06
200/6 A
D276,718 S * 12/1984 Goodin D10/106.1
D278,142 S * 3/1985 Chan D10/106.1
D280,893 S * 10/1985 Ueda D13/164
4,624,537 A * 11/1986 Hanssen G02B 21/26
359/393
D294,151 S * 2/1988 Kuo D18/7
D308,666 S * 6/1990 Oesterheld D13/164
D373,996 S * 9/1996 Ko D13/158
D381,325 S * 7/1997 McMahan D14/388
5,946,131 A * 8/1999 Wells G02B 21/0016
348/79
D421,038 S * 2/2000 Hisatsune D13/168
D429,684 S * 8/2000 Johnson D12/415
D451,529 S * 12/2001 Vasquez D13/164

D501,861 S * 2/2005 Peter D14/408
D503,928 S * 4/2005 Obata D13/164
D637,638 S * 5/2011 Noda D16/130
8,186,240 B2 * 5/2012 Sakai A43B 21/42
200/6 A
D674,424 S * 1/2013 Apotheloz D16/131
D691,096 S * 10/2013 Beroukas D13/162
D709,046 S * 7/2014 Broadbent D14/142
D747,990 S * 1/2016 Lee D10/108
2011/0096392 A1 * 4/2011 Xiang G02B 21/086
359/381
2014/0313311 A1 * 10/2014 Jockusch G02B 21/365
348/79

OTHER PUBLICATIONS

Carl Zeiss Laser Tirtf 3. flickr.com [online] Uploaded Feb. 20, 2012
[retrieved on Feb. 17, 2016]. Retrieved from Internet: <https://www.flickr.com/photos/zeissmicro/6908574263/>.*

Carl Zeiss MC 80 Microscope Camera Controller MC80 35mm.
ebay.com [online] Image taken Dec. 24, 2010 [retrieved on Feb. 17,
2016]. Retrieved from Internet: <http://i.ebayimg.com/00/s/OTYw-WDEyODA=/z/>.*

* cited by examiner

FIG. 1

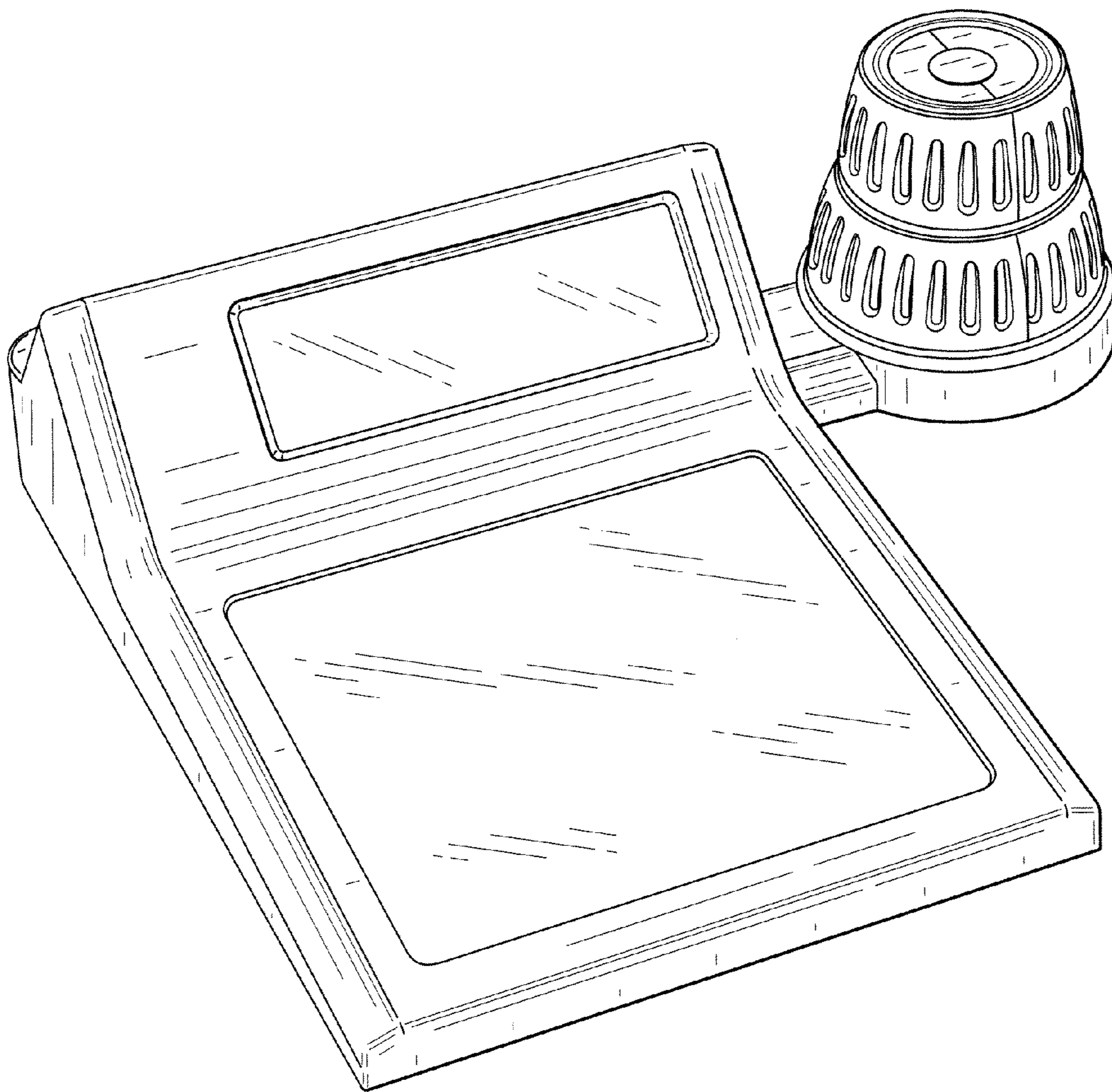


FIG. 2

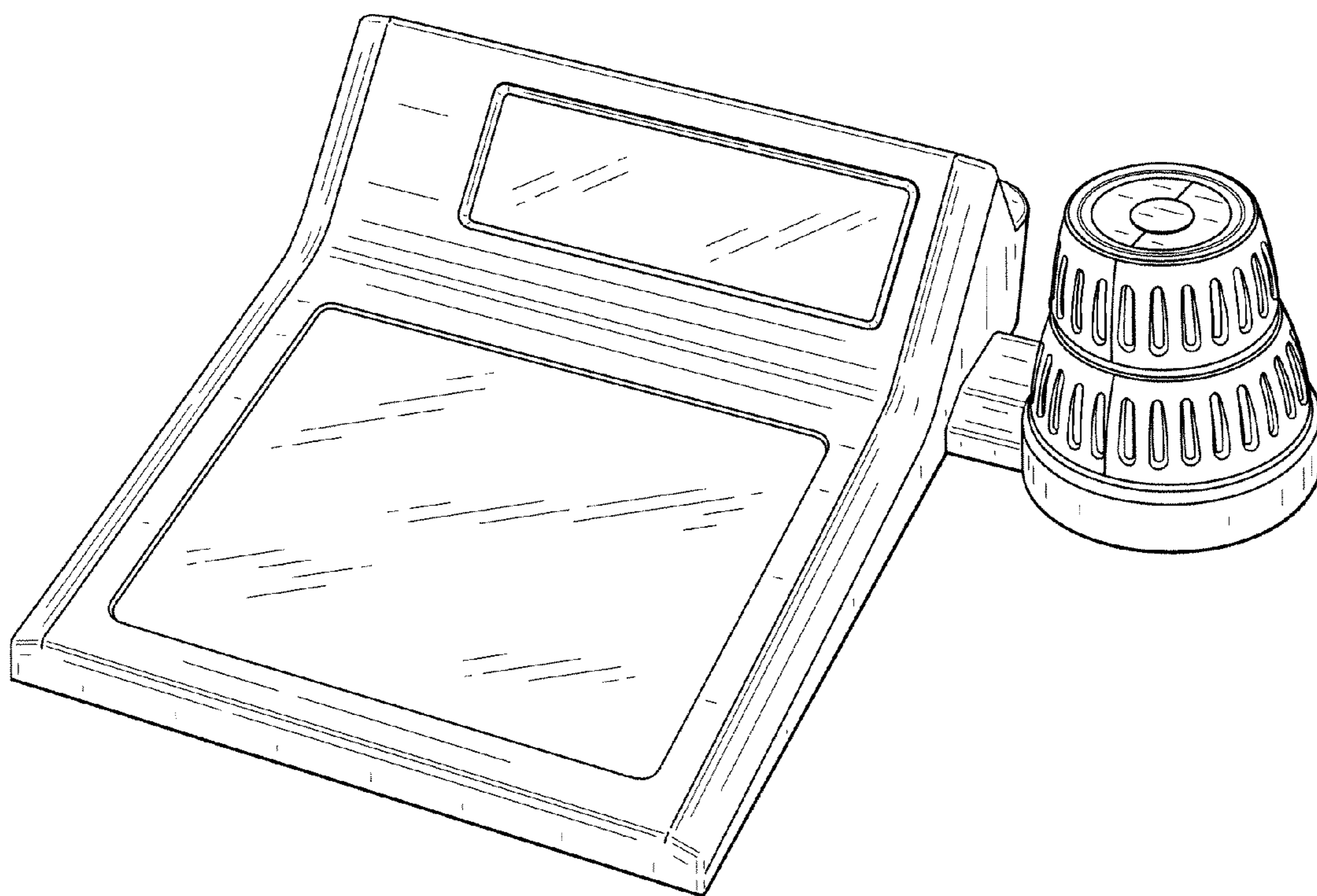


FIG. 3

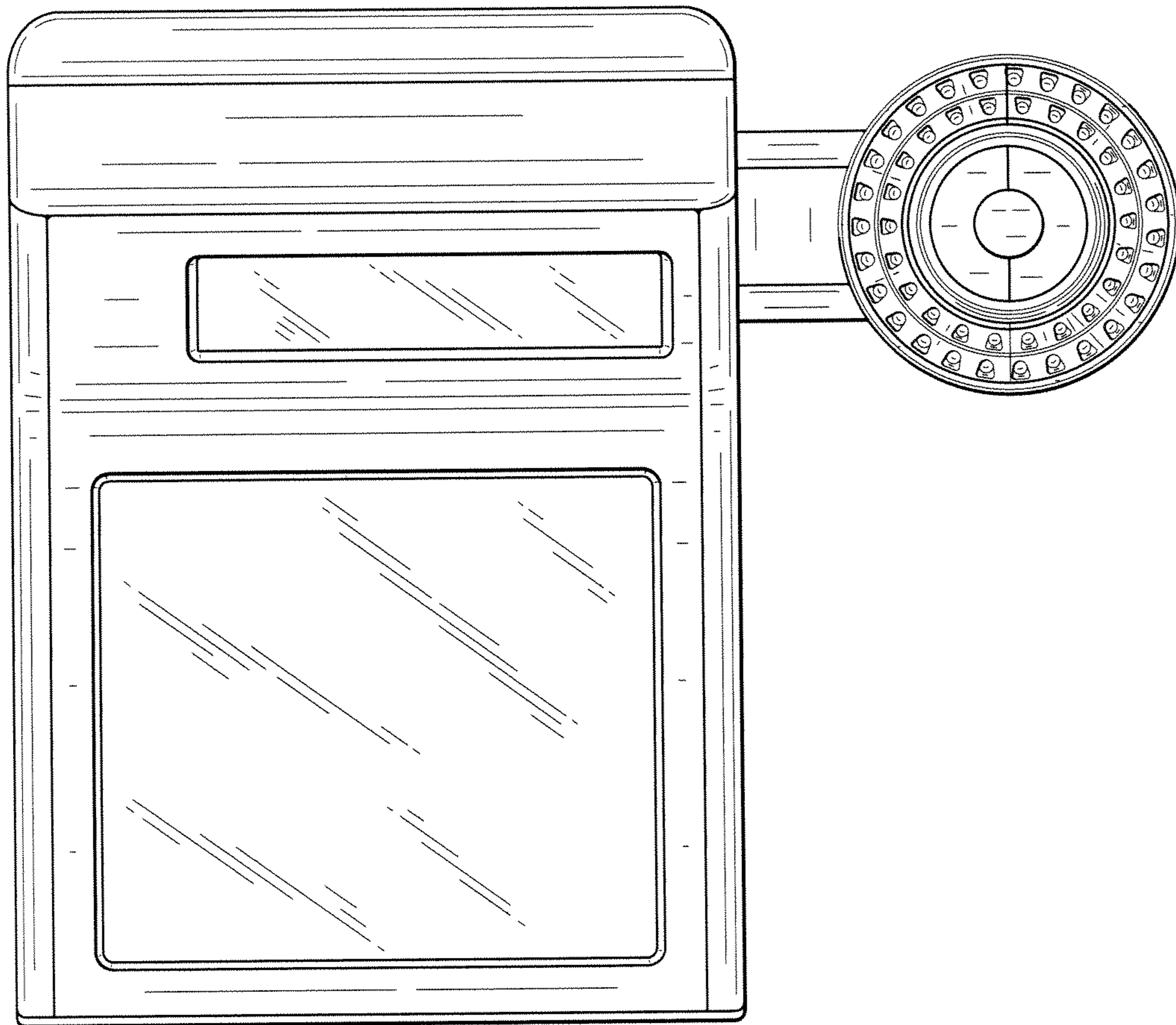


FIG. 4

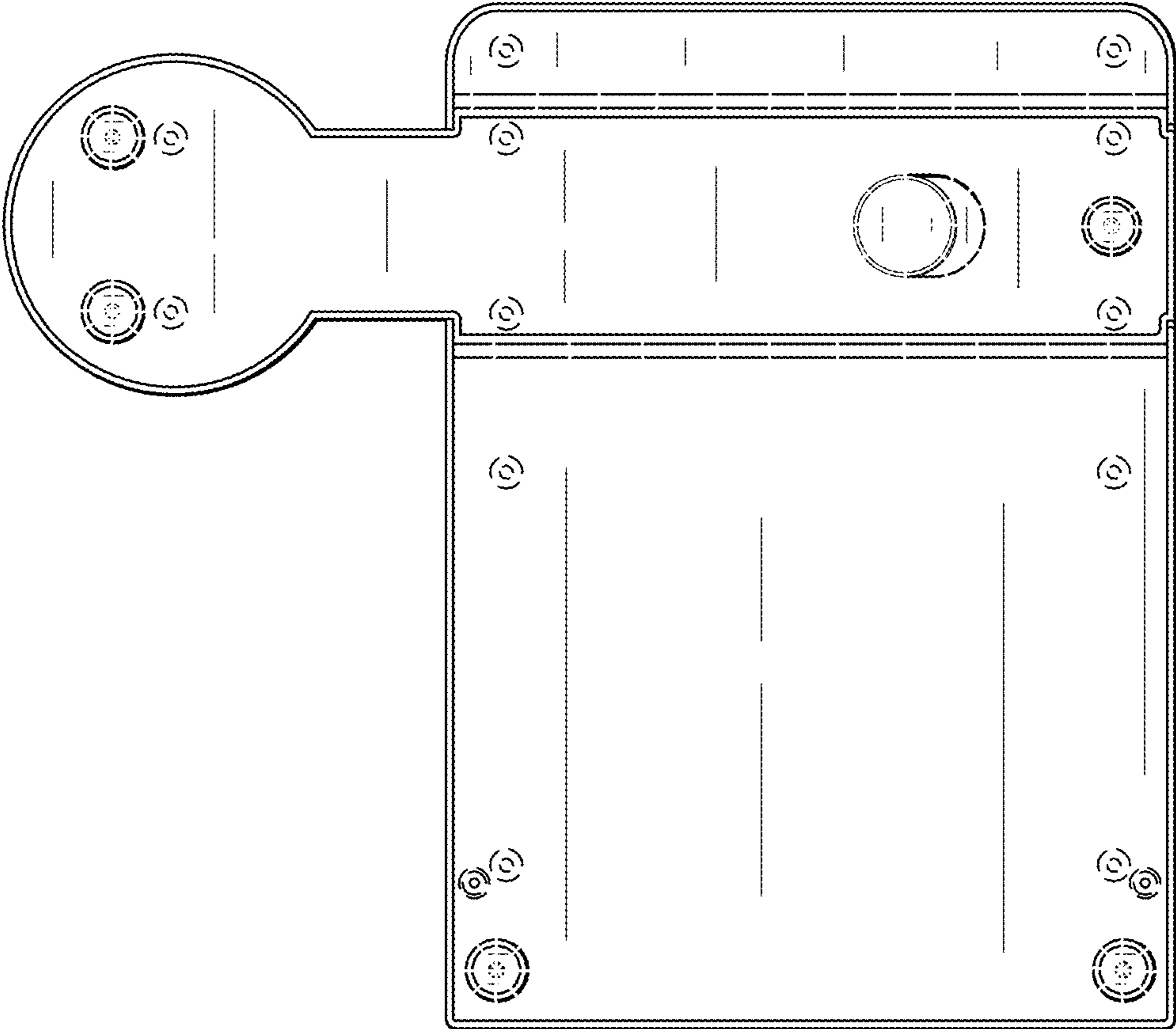


FIG. 5

