



US00D777117S

(12) **United States Design Patent**
Singer et al.

(10) **Patent No.:** **US D777,117 S**

(45) **Date of Patent:** **** Jan. 24, 2017**

(54) **SWITCH ASSEMBLY WITH ESCUTCHEON**

(71) Applicant: **Sensata Technologies, Inc.**, Attleboro, MA (US)

(72) Inventors: **Keith A. Singer**, Attleboro, MA (US);
Clifford Buxton, Bellefontaine, OH (US)

(73) Assignee: **SENSATA TECHNOLOGIES, INC.**, Attleboro, MA (US)

(**) Term: **15 Years**

(21) Appl. No.: **29/562,625**

(22) Filed: **Apr. 27, 2016**

(51) **LOC (10) Cl.** **13-03**

(52) **U.S. Cl.**
USPC **D13/160**

(58) **Field of Classification Search**
USPC D13/158, 160, 169
CPC H01H 9/02; H01H 9/342; H01H 71/00;
H01H 71/02; H01H 71/0271; H01H
71/1018
See application file for complete search history.

(56) **References Cited**

U.S. PATENT DOCUMENTS

2,246,298 A	6/1941	Dyer et al.	
3,198,906 A	8/1965	Frink et al.	
4,042,894 A	8/1977	Coleman	
4,276,457 A *	6/1981	Myers	H01H 71/524 200/401
4,650,272 A *	3/1987	Doughty	H01H 71/08 335/35
D293,779 S *	1/1988	Dantoft	D13/169
4,789,848 A	12/1988	Castonguay et al.	
D317,906 S *	7/1991	Winter	D13/160
D325,192 S *	4/1992	Dubicki	D13/158

5,453,723 A * 9/1995 Fello H01H 9/342
335/18

5,510,759 A * 4/1996 Gula H01H 83/226
335/18

6,160,227 A 12/2000 Singer
6,239,962 B1 5/2001 Seymour et al.

(Continued)

Primary Examiner — Selina Sikder

(74) *Attorney, Agent, or Firm* — Adler Pollock & Sheehan P.C.; George N. Chaclas, Esq.; Daniel J. Holmander, Esq.

(57) **CLAIM**

The ornamental design for a switch assembly with escutcheon, as shown and described.

DESCRIPTION

FIG. 1 is a perspective view of a switch assembly with escutcheon in a first position in accordance with the subject disclosure.

FIG. 2 is top plan thereof;

FIG. 3 is a bottom plan view thereof;

FIG. 4 is a left side view thereof;

FIG. 5 is a right side view thereof;

FIG. 6 is a rear elevation view thereof;

FIG. 7 is a front elevation view thereof;

FIG. 8 is a perspective view of the switch assembly with escutcheon in a second position thereof;

FIG. 9 is top plan view thereof;

FIG. 10 is a bottom plan view thereof;

FIG. 11 is a left side view thereof;

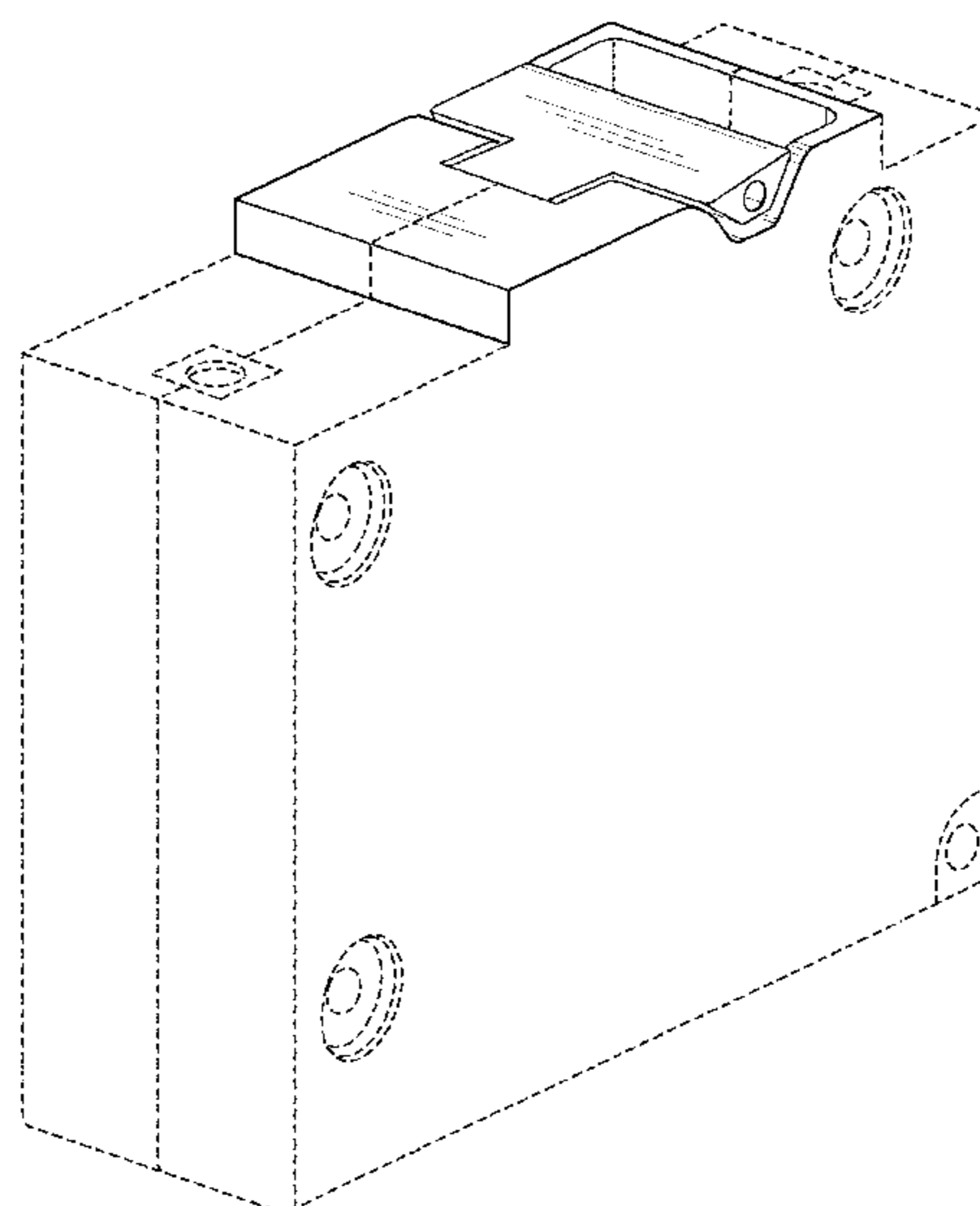
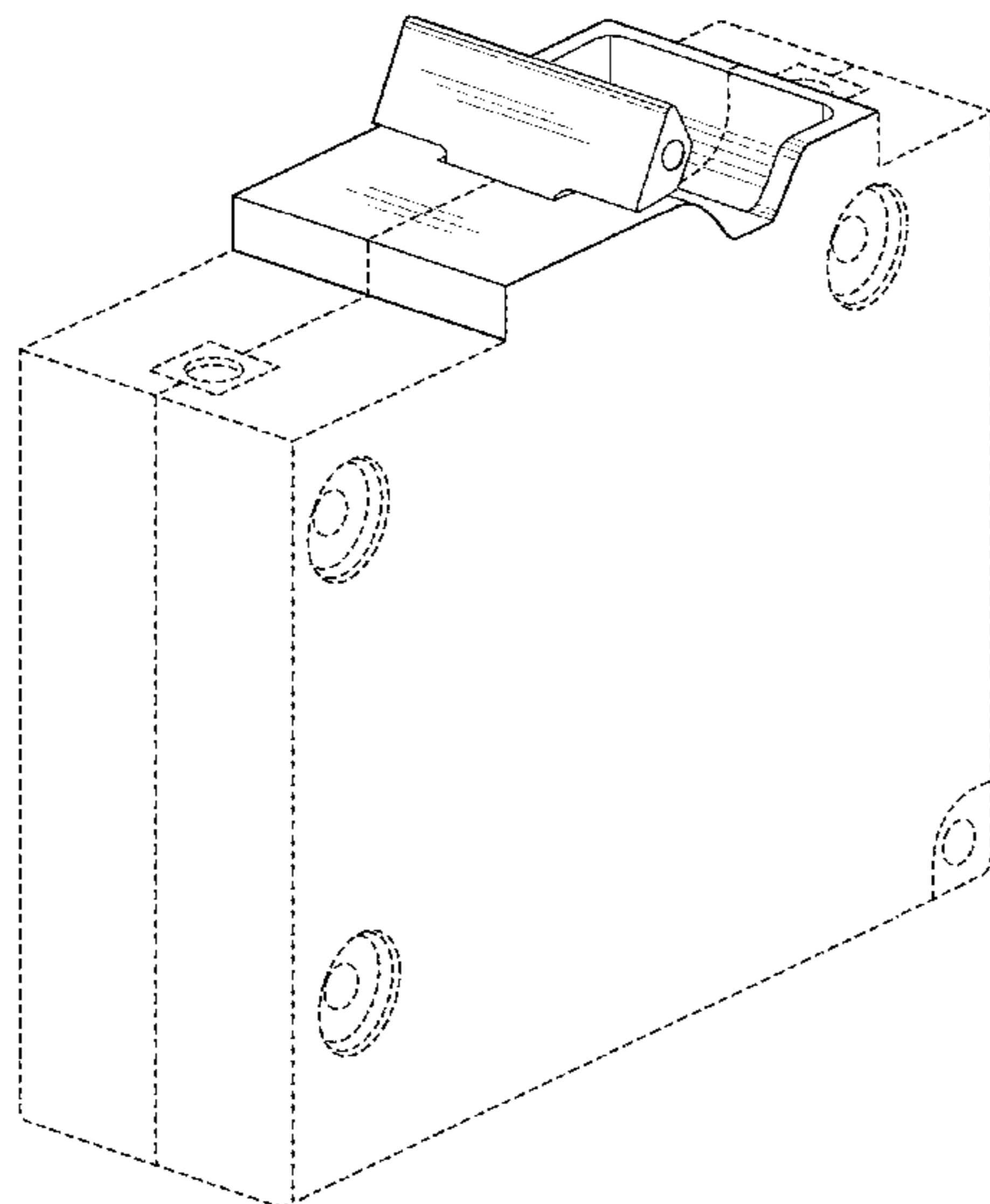
FIG. 12 is a right side view thereof;

FIG. 13 is a rear elevation view thereof; and,

FIG. 14 is a front elevation view thereof.

The broken line showings of the switch assembly with escutcheon are included for the purpose of illustrating the environment, and portions of the switch assembly with escutcheon and form no part of the claimed design.

1 Claim, 14 Drawing Sheets



(56)

References Cited

U.S. PATENT DOCUMENTS

6,545,574 B1 * 4/2003 Seymour H01H 71/0271
335/18
7,268,654 B2 * 9/2007 Dorn H01H 71/1054
335/157
7,863,534 B2 1/2011 Narayanasamy et al.
8,369,052 B2 * 2/2013 McCoy H01H 71/1018
361/115
9,349,559 B2 * 5/2016 DeBoer H01H 71/0271
2006/0028307 A1 * 2/2006 McCoy H01H 71/16
335/172
2009/0174508 A1 * 7/2009 Watford H01H 71/02
335/8
2010/0020453 A1 * 1/2010 McCoy H01H 71/1018
361/42
2015/0318136 A1 * 11/2015 DeBoer H01H 71/0271
335/38
2016/0141846 A1 * 5/2016 Atchley H01H 71/02
361/605

* cited by examiner

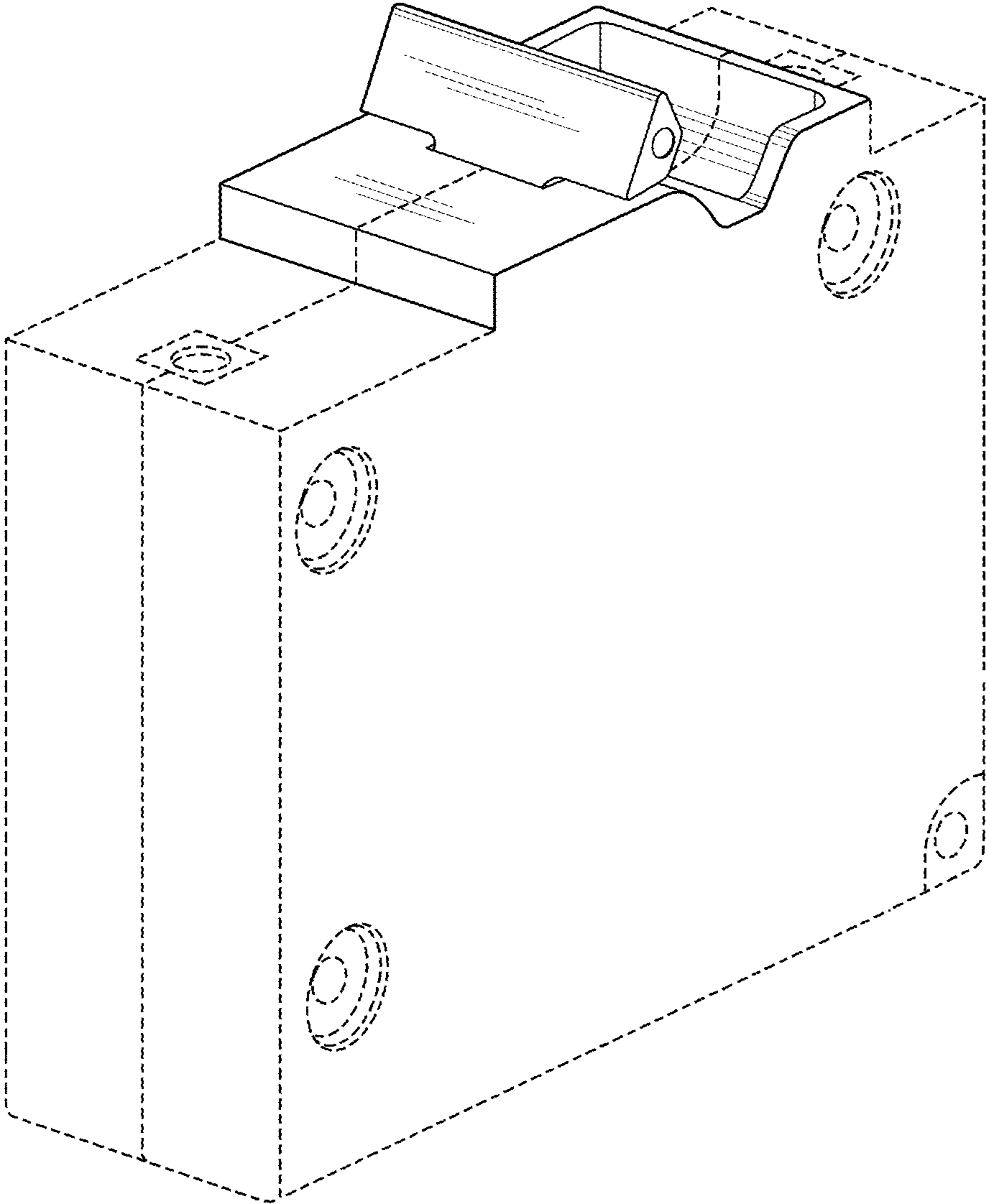


FIG. 1

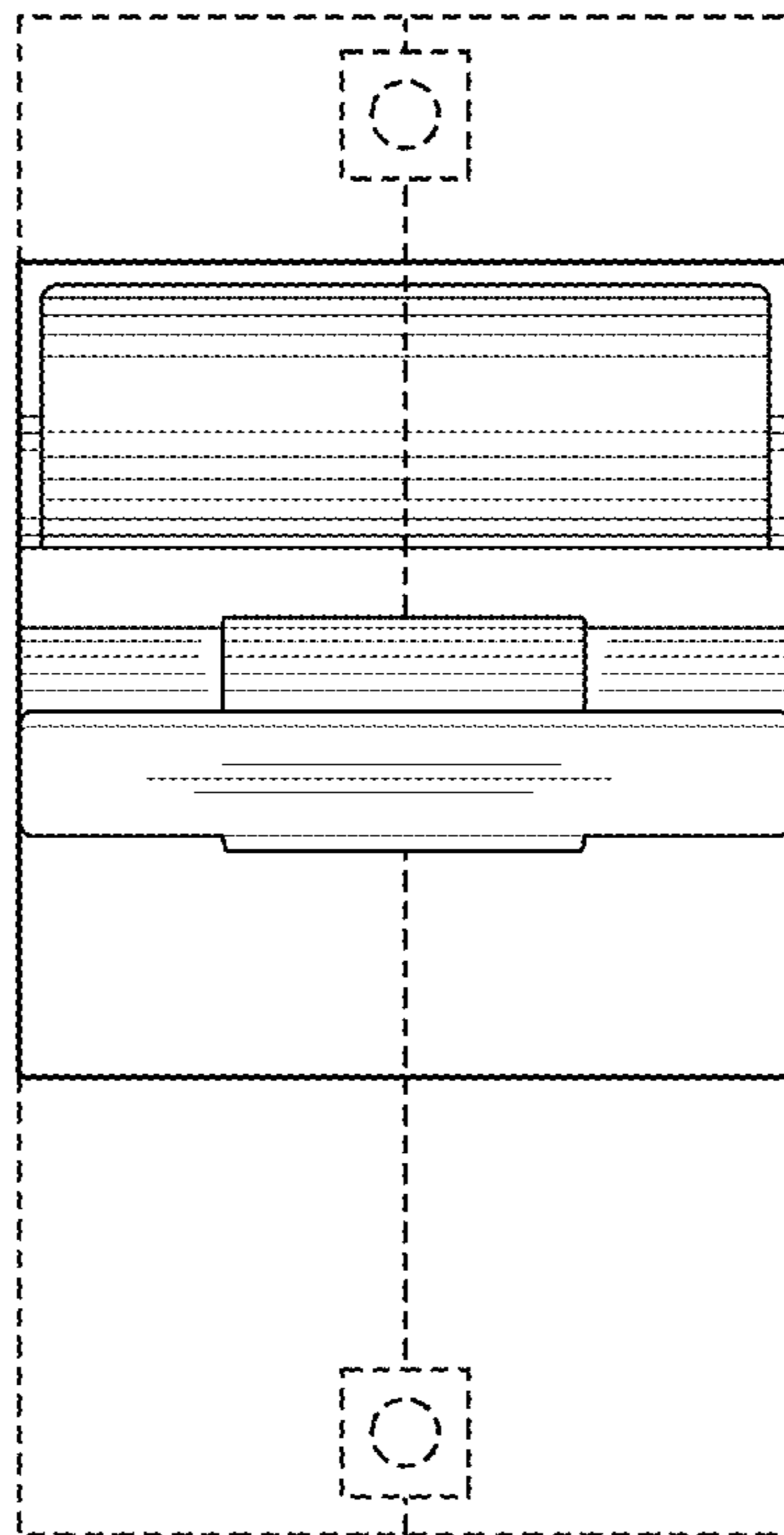


FIG. 2

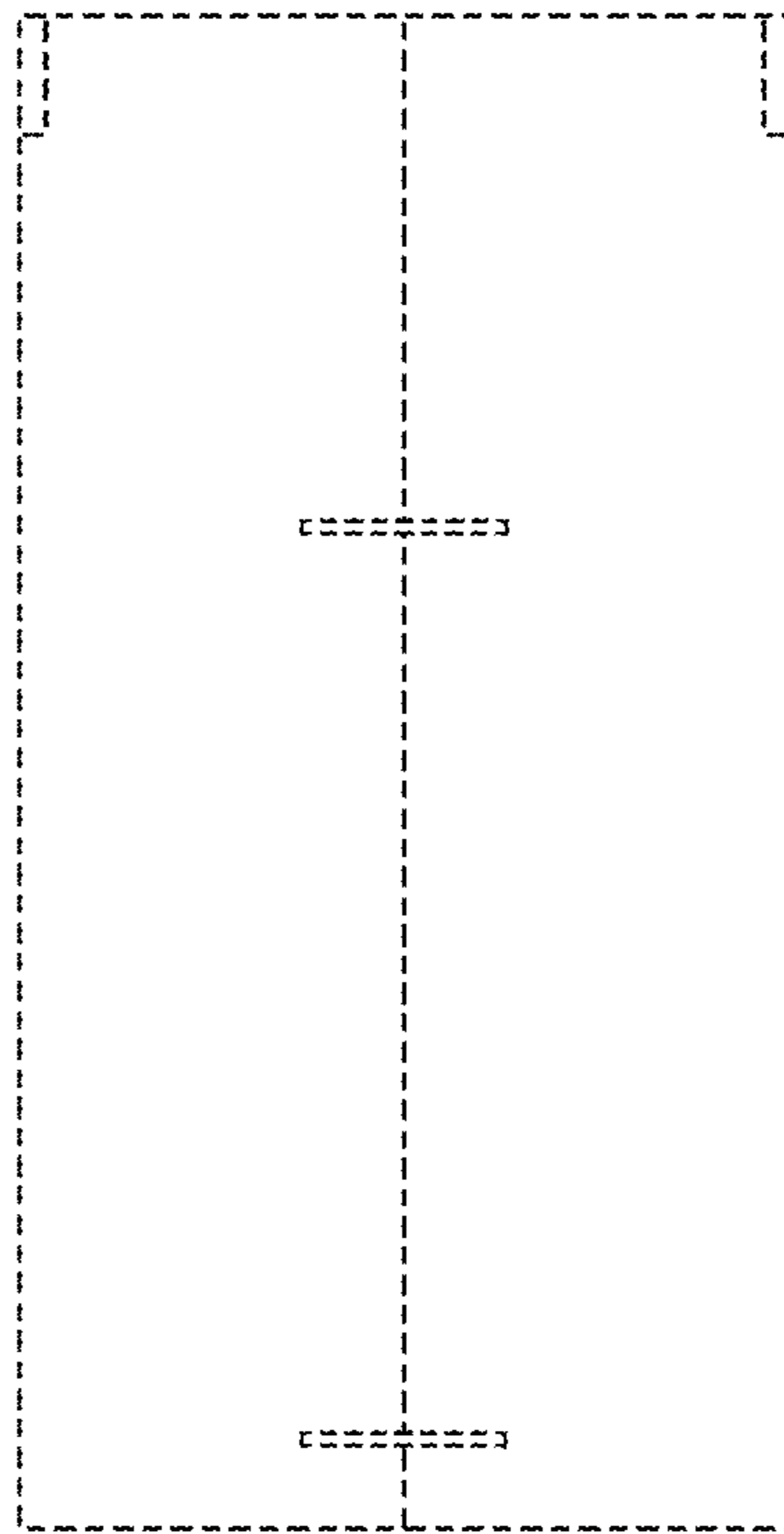


FIG. 3

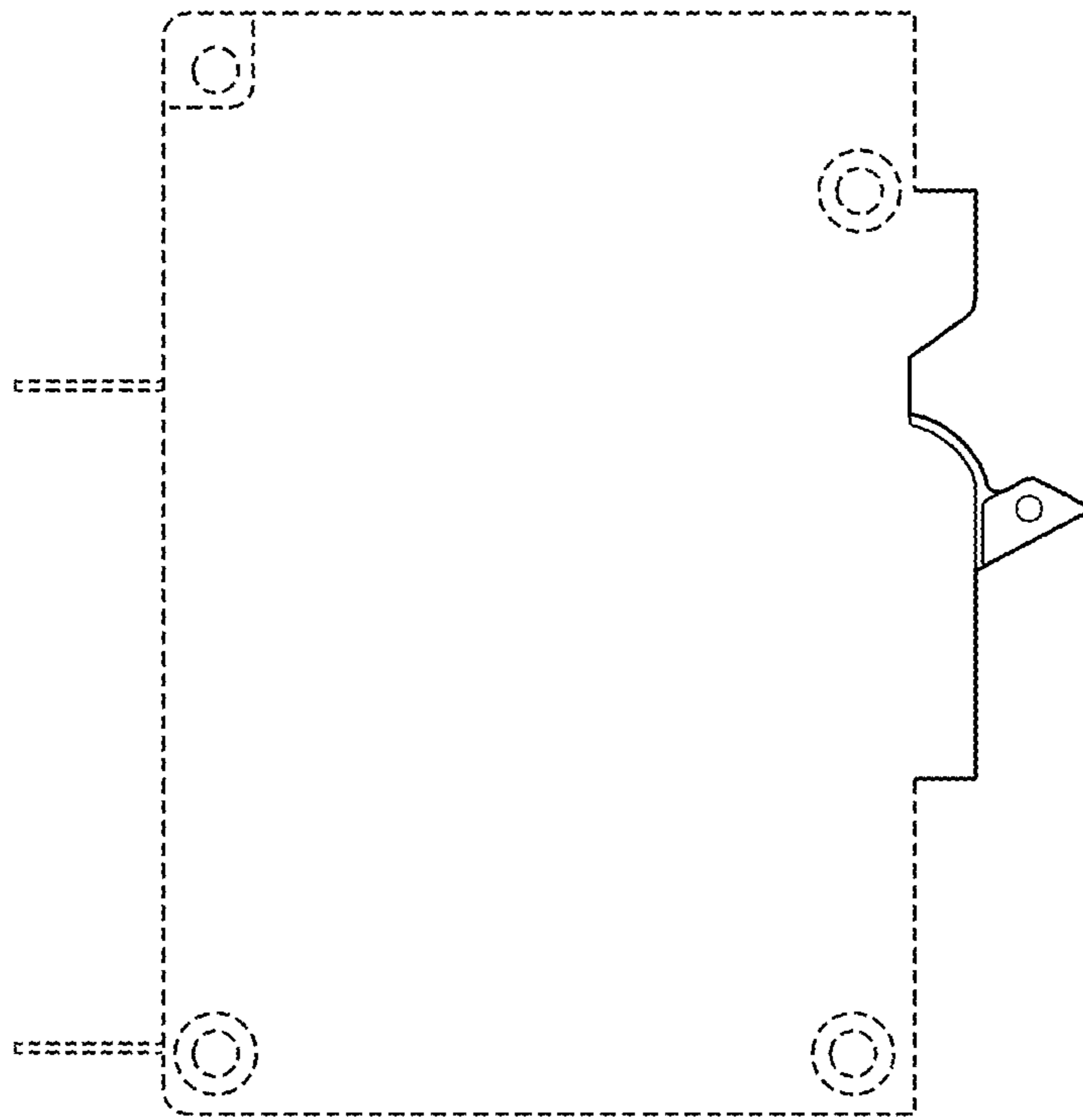


FIG. 4

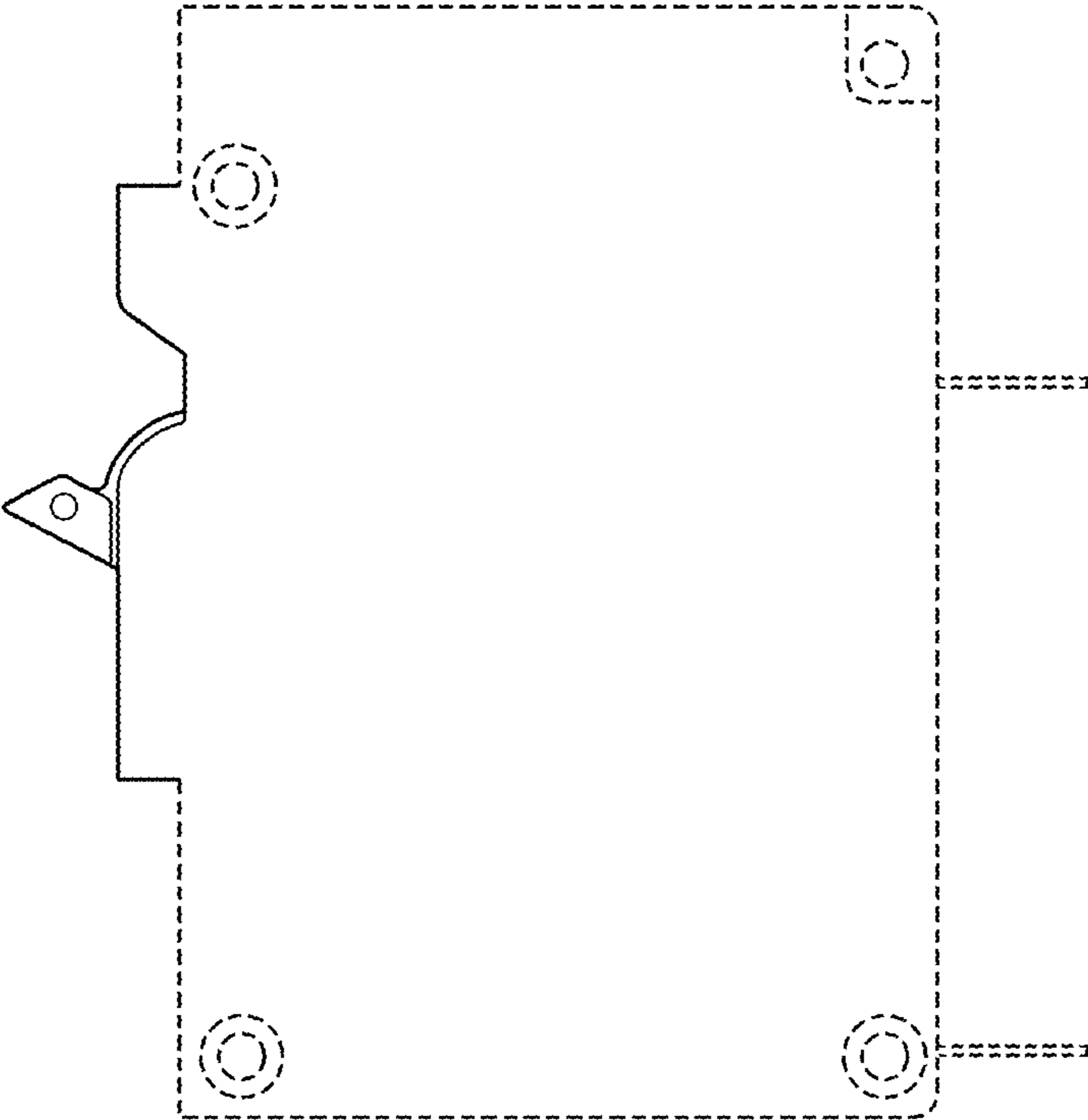


FIG. 5

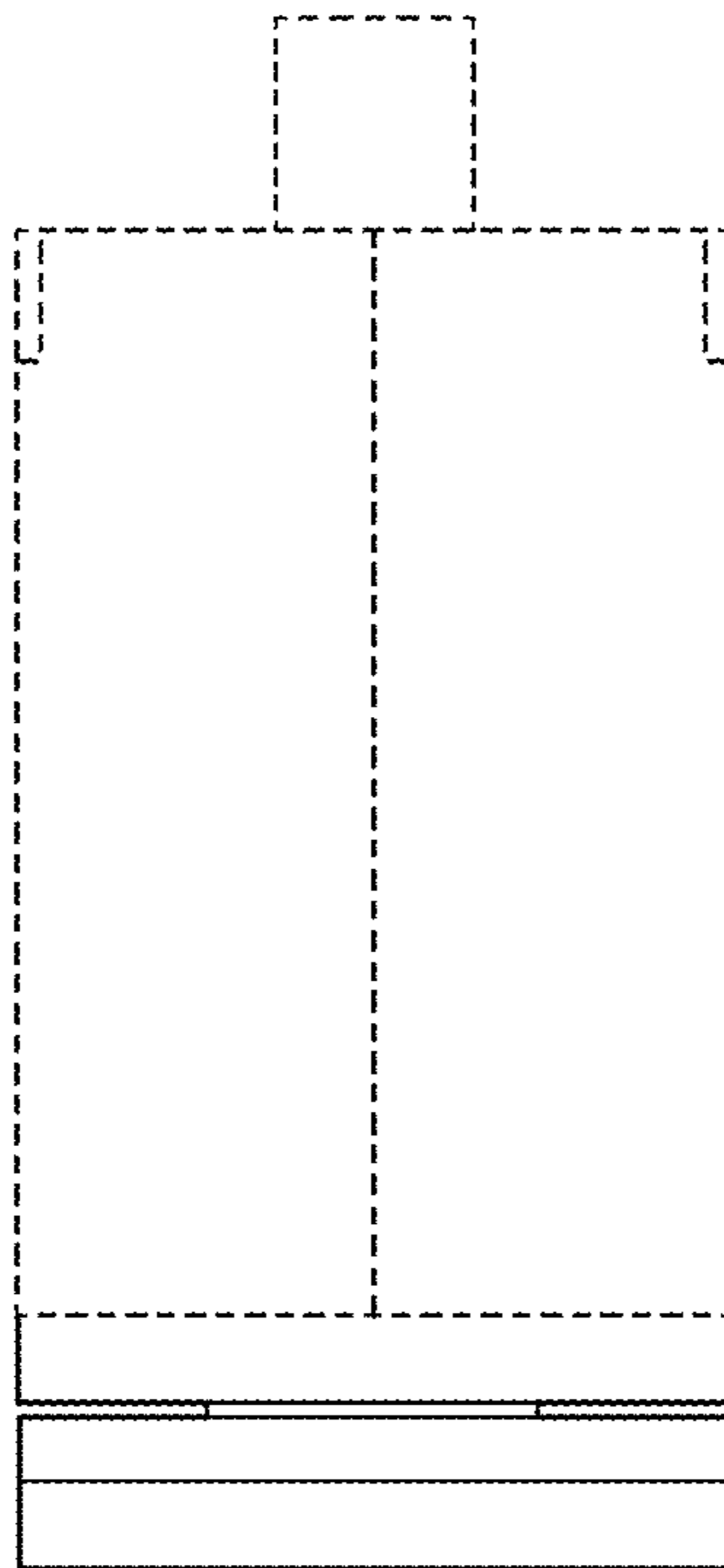


FIG. 6

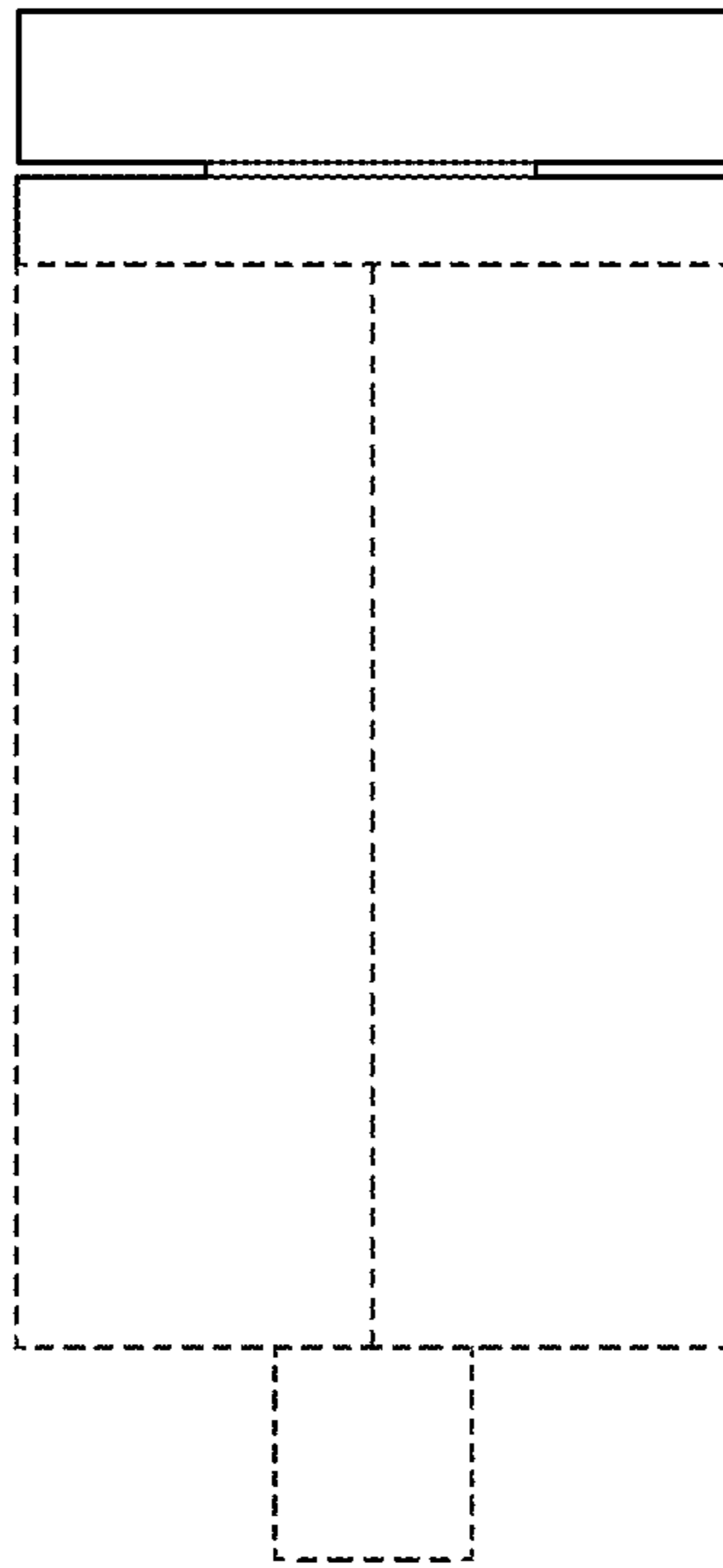


FIG. 7

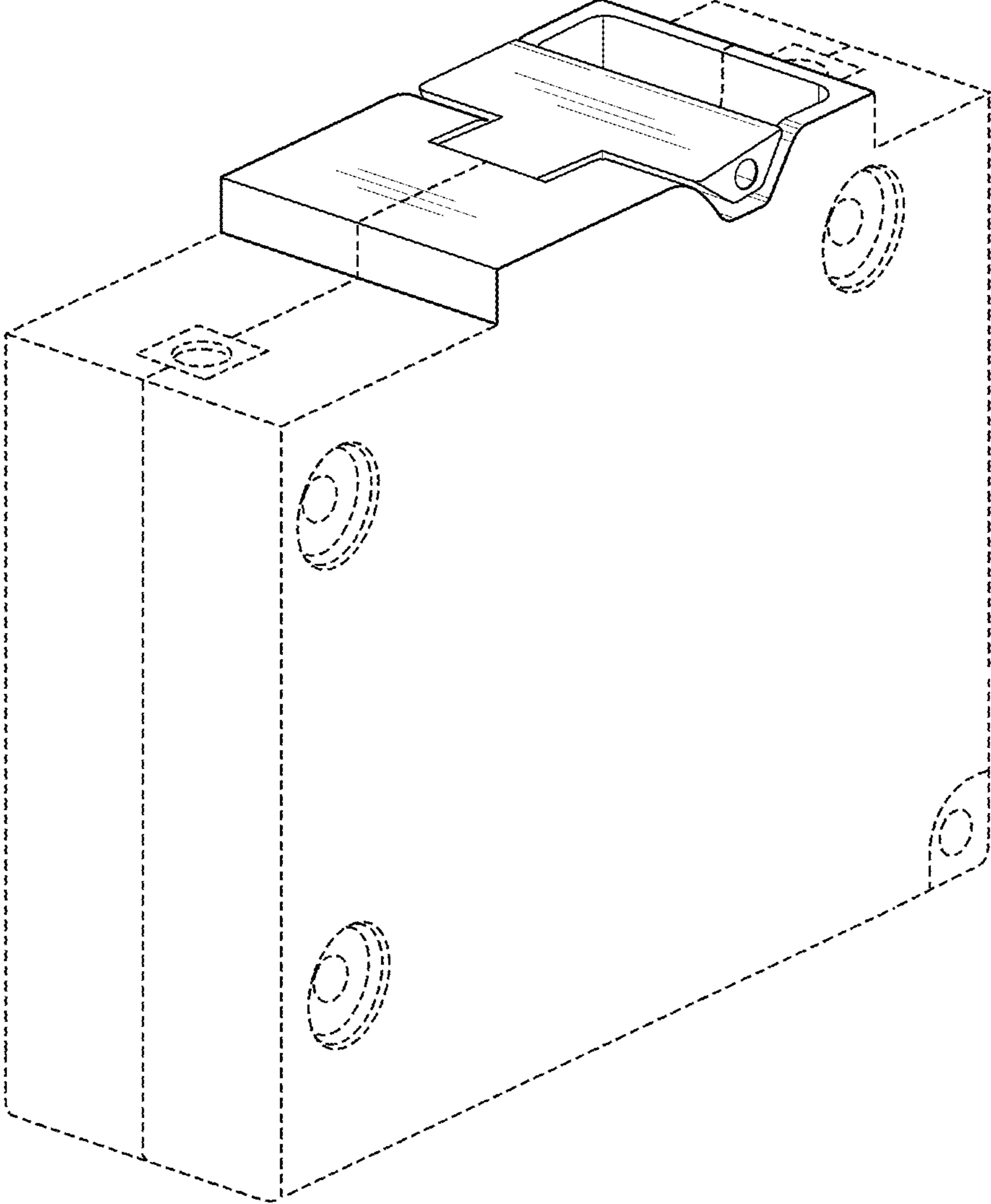


FIG. 8

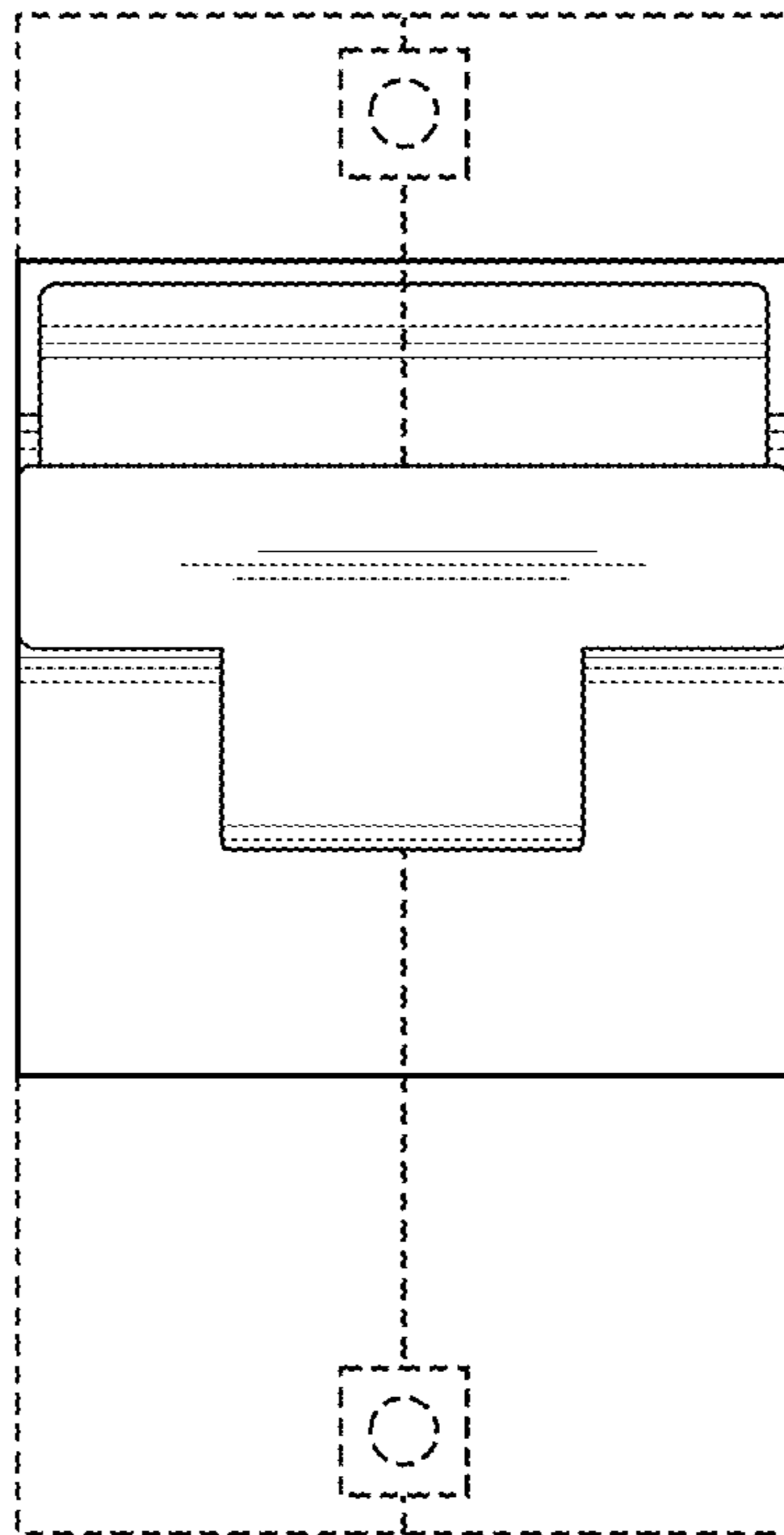


FIG. 9

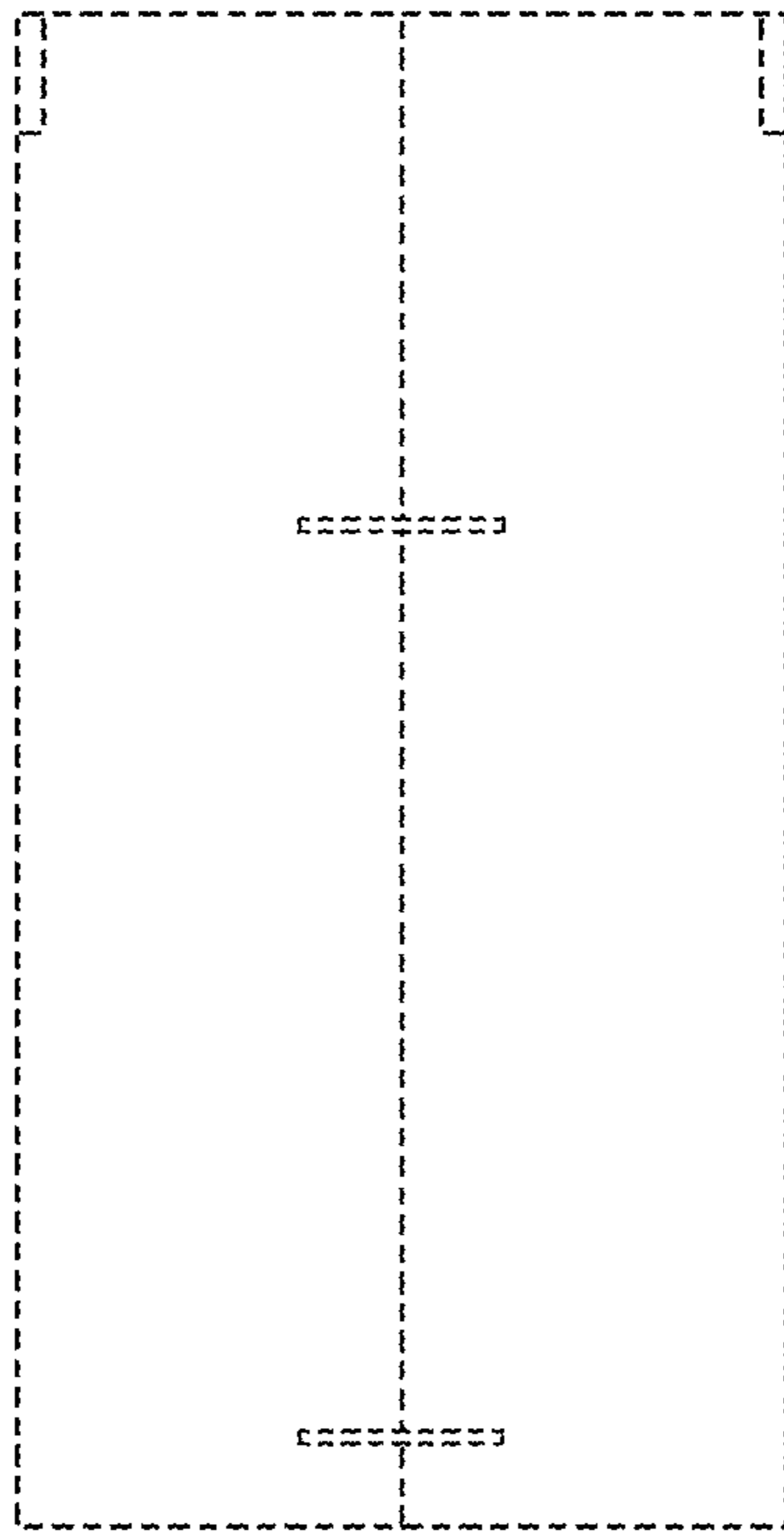


FIG. 10

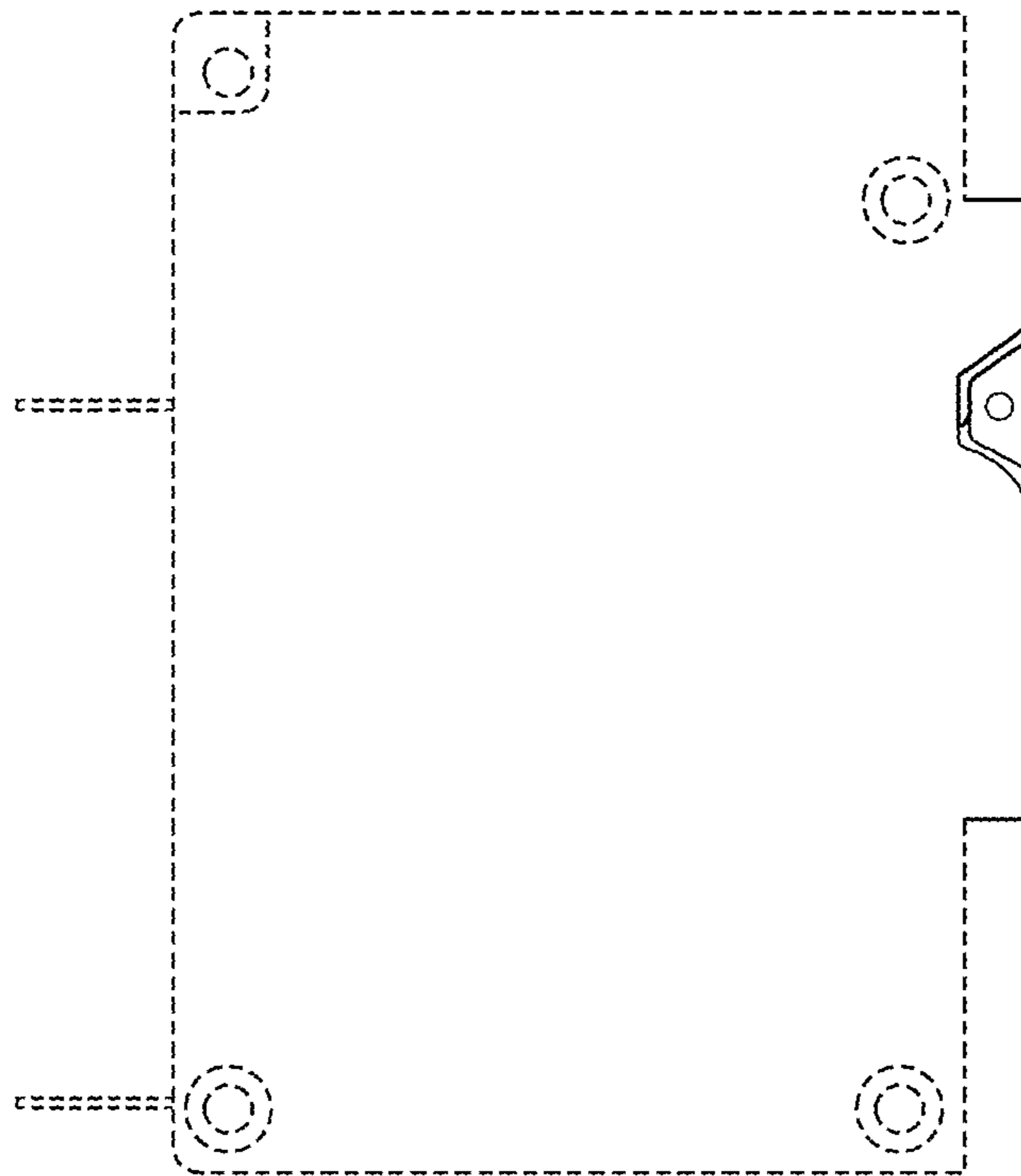


FIG. 11

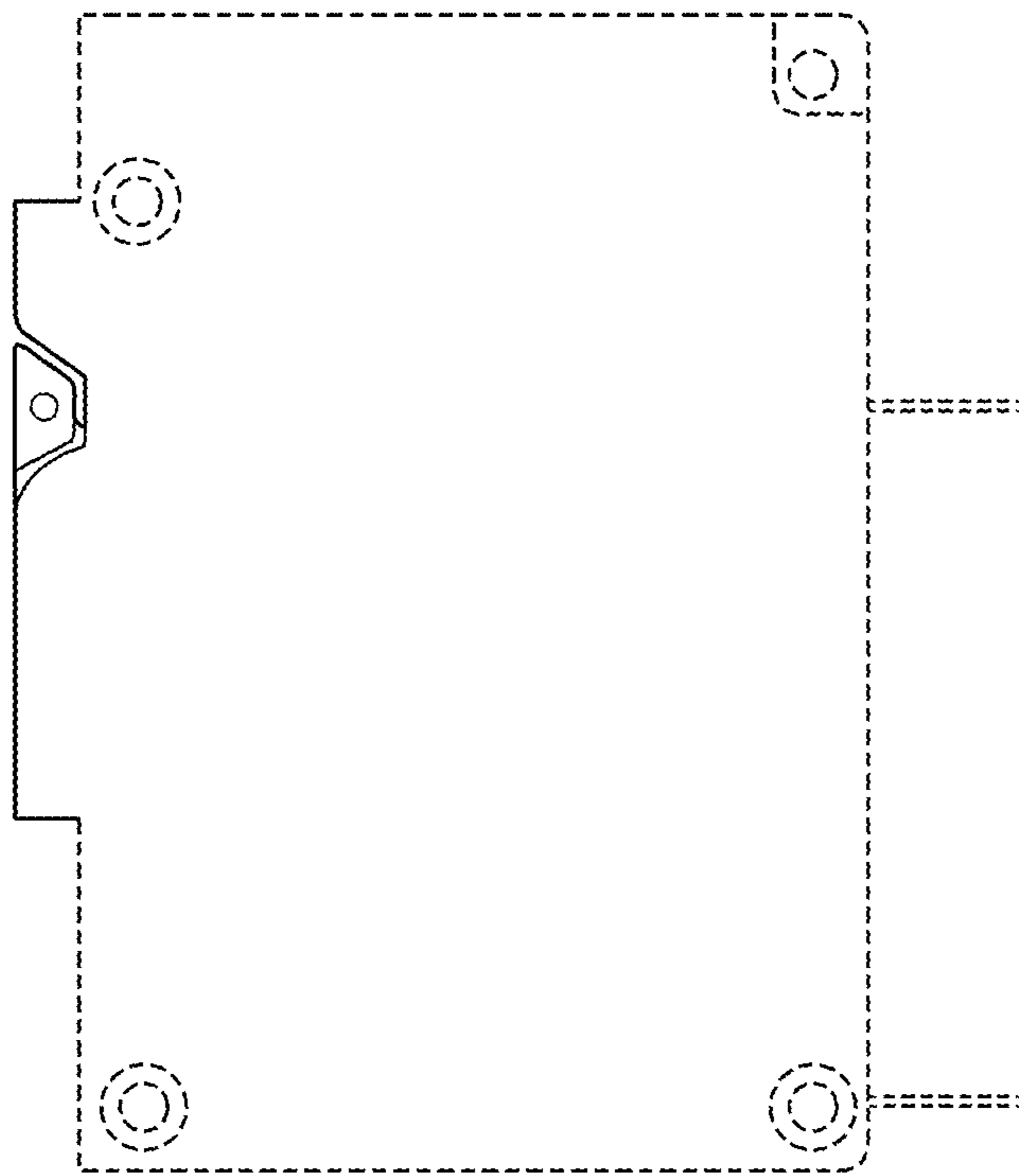


FIG. 12

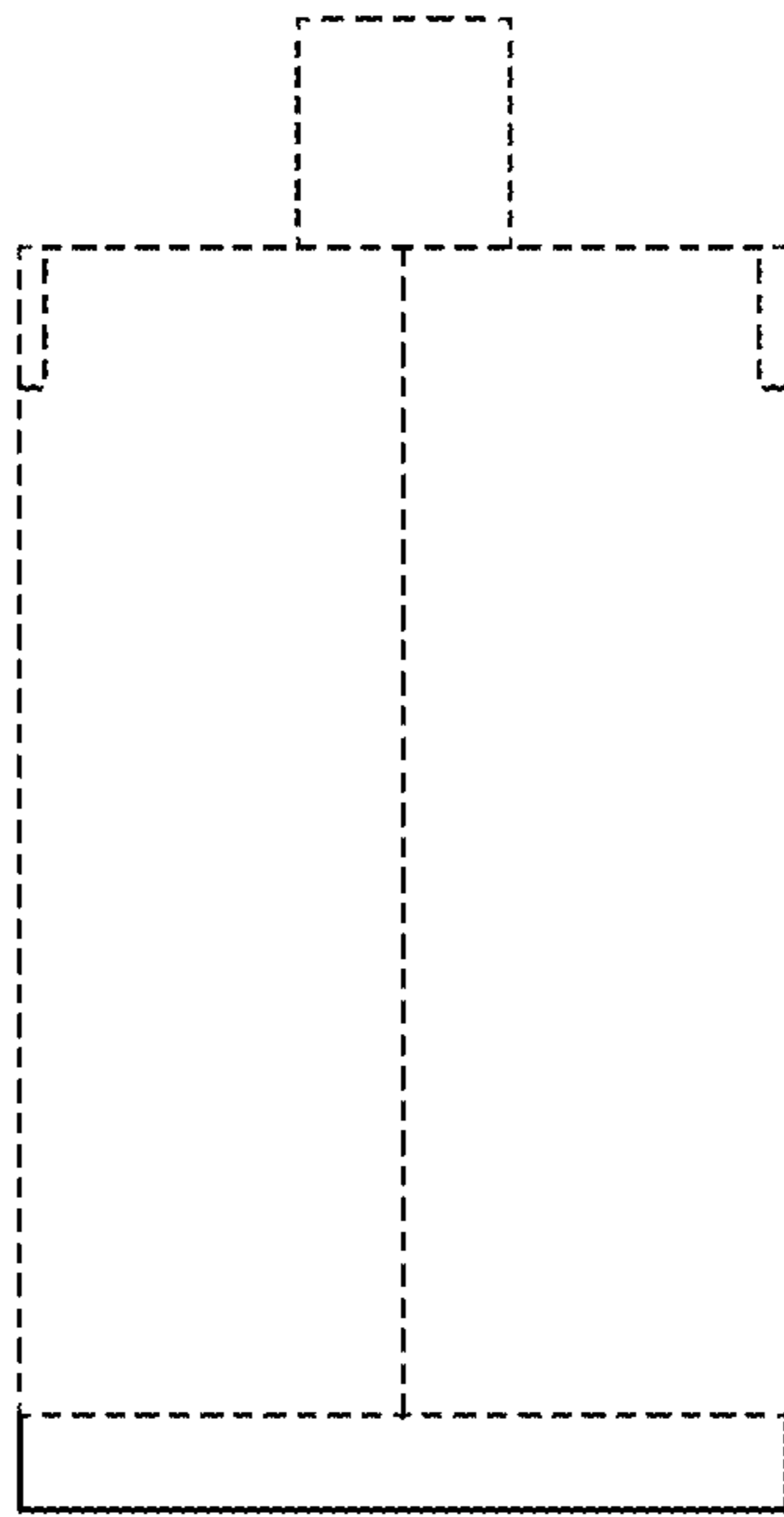


FIG. 13

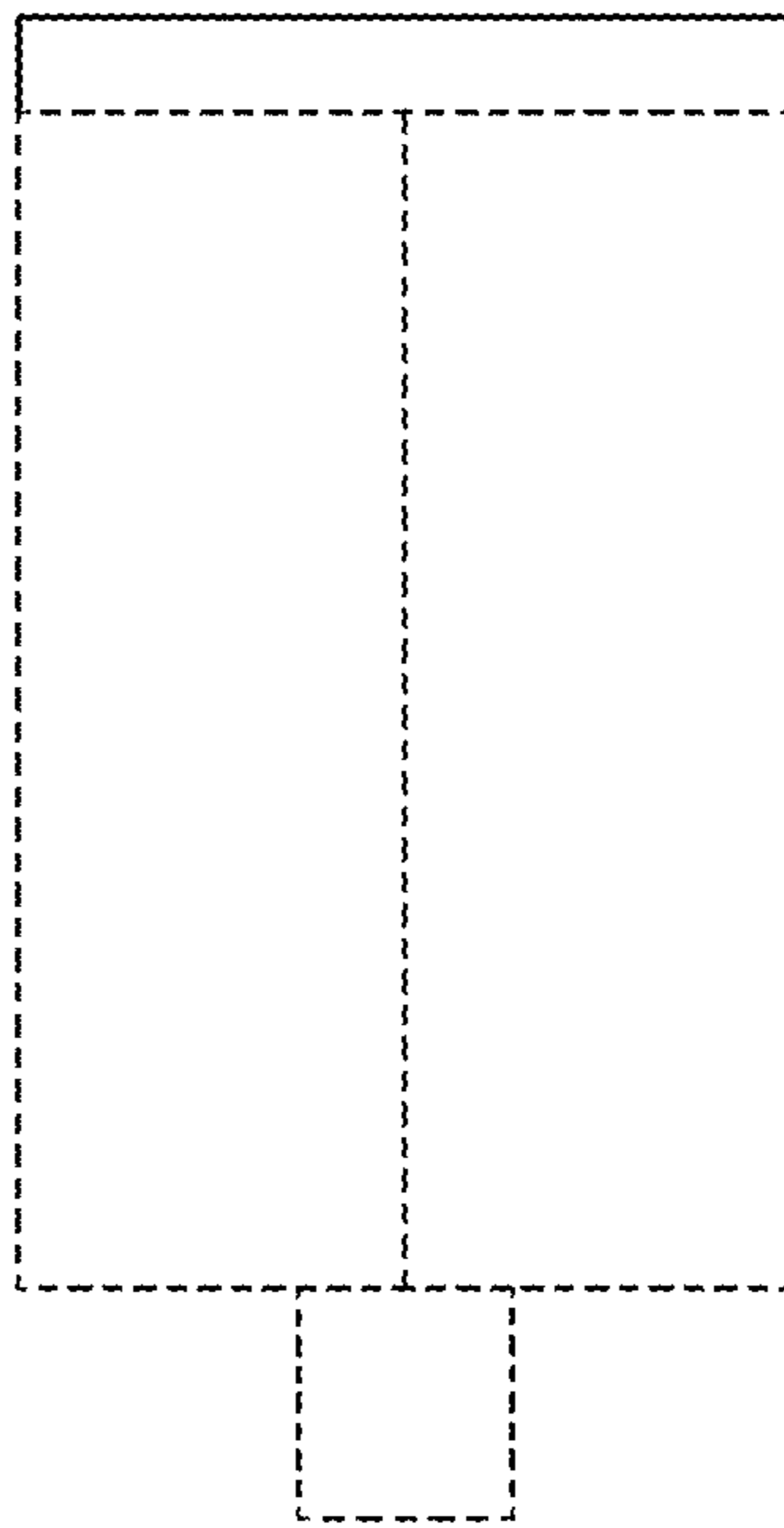


FIG. 14