



US00D777116S

(12) **United States Design Patent**  
**Boffelli et al.**

(10) **Patent No.:** **US D777,116 S**  
(45) **Date of Patent:** **\*\* Jan. 24, 2017**

(54) **SWITCHING DEVICE WITH FRONT COVER**

(71) Applicant: **ABB Technology AG**, Zurich (CH)

(72) Inventors: **Carlo Boffelli**, Dalmine (IT); **Luciano Chenet**, Torre Boldone (IT); **Marco Riva**, Canonica d'Adda (IT); **Roberto Penzo**, Milan (IT); **Eric Bevilacqua**, Stresa (IT)

(73) Assignee: **ABB TECHNOLOGY AG**, Zurich (CH)

(\*\*) Term: **14 Years**

(21) Appl. No.: **29/517,468**

(22) Filed: **Feb. 12, 2015**

(30) **Foreign Application Priority Data**

Sep. 24, 2014 (EM) ..... 002543694

(51) **LOC (10) Cl.** ..... **13-03**

(52) **U.S. Cl.**  
USPC ..... **D13/158**

(58) **Field of Classification Search**  
USPC ..... D13/101, 110, 118, 123, 133, 7, 154,  
D13/157-161, 184  
CPC ..... H01H 9/00; H01H 9/20; H01H 33/00;  
H01H 33/02; H01H 33/04; H01H 33/66;  
H01H 11/00; H01H 75/00; H02G 3/00;  
H02G 3/083  
See application file for complete search history.

(56) **References Cited**

**U.S. PATENT DOCUMENTS**

3,603,753 A \* 9/1971 Frink ..... H01H 33/66  
200/50.23  
D608,297 S \* 1/2010 Shin ..... D13/160  
D608,298 S \* 1/2010 Shin ..... D13/160

(Continued)

**OTHER PUBLICATIONS**

ABB Catalog: "Medium voltage indoor circuit breakers ANSI/IEC solutions", dated Apr. 2014.

*Primary Examiner* — Thomas Johannes  
*Assistant Examiner* — Shawn T Gingrich  
(74) *Attorney, Agent, or Firm* — Patterson Intellectual Property Law, P.C.; Mark J. Patterson

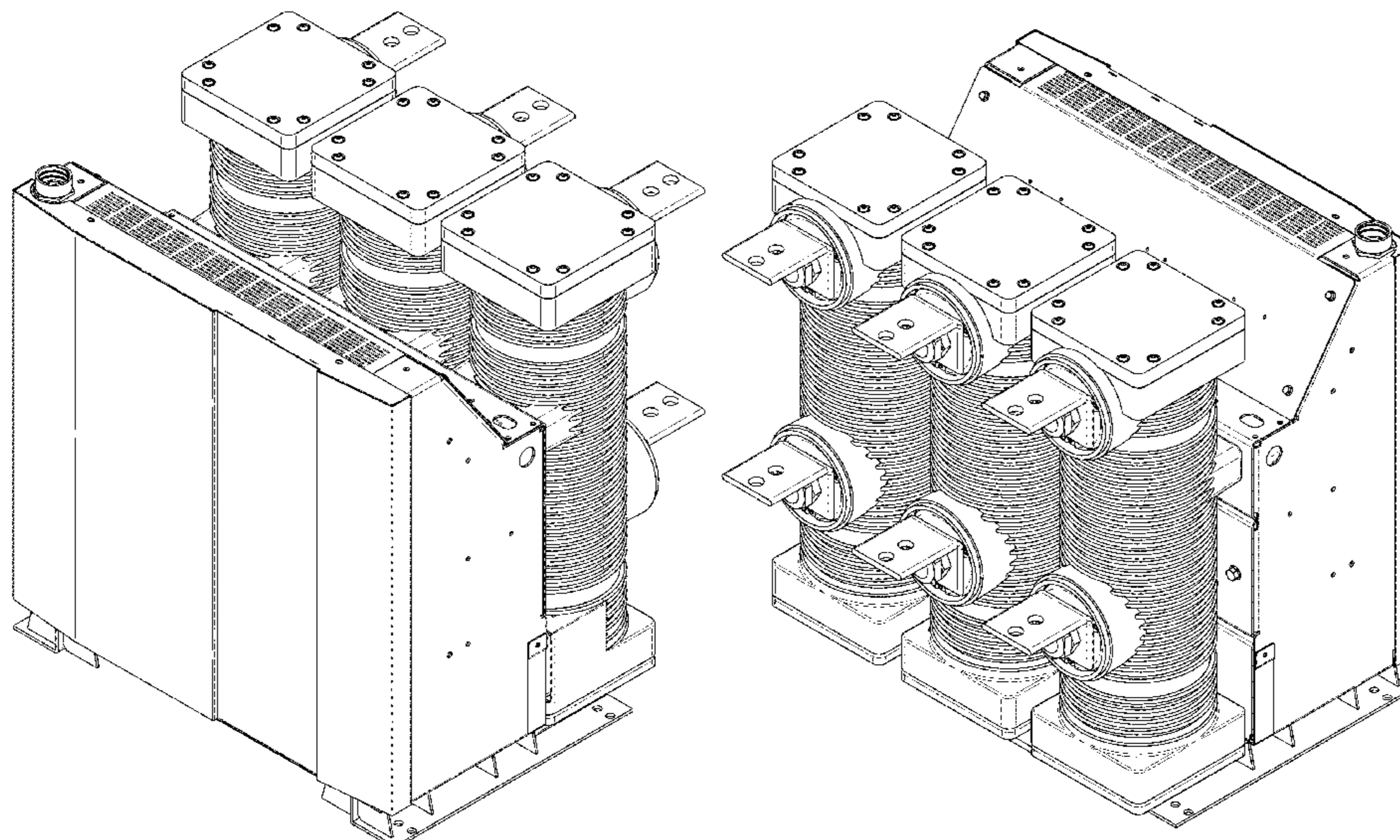
(57) **CLAIM**

What is claimed is the ornamental design for a switching device with front cover, as shown and described.

**DESCRIPTION**

FIG. 1 is a front perspective view of a switching device with front cover according to the invention.  
FIG. 2 is a rear perspective view of a switching device with front cover according to the invention.  
FIG. 3 is a bottom perspective view of a switching device with front cover according to the invention.  
FIG. 4 is a front view of a switching device with front cover according to the invention.  
FIG. 5 is a left side view of a switching device with front cover according to the invention.  
FIG. 6 is a right side view of a switching device with front cover according to of the invention.  
FIG. 7 is a rear view of a switching device with front cover according to the invention.  
FIG. 8 is a top view of a switching device with front cover according to the invention; and,  
FIG. 9 is a bottom view of a switching device with front cover according to the invention.  
The broken line portions of the figure drawings are included to show portions of the article that form no part of the claimed design.

**1 Claim, 9 Drawing Sheets**



(56)

**References Cited**

U.S. PATENT DOCUMENTS

2007/0252667 A1\* 11/2007 Zhou ..... H01H 3/227  
335/16  
2012/0285806 A1\* 11/2012 Boffelli ..... H01H 9/56  
200/48 R

\* cited by examiner

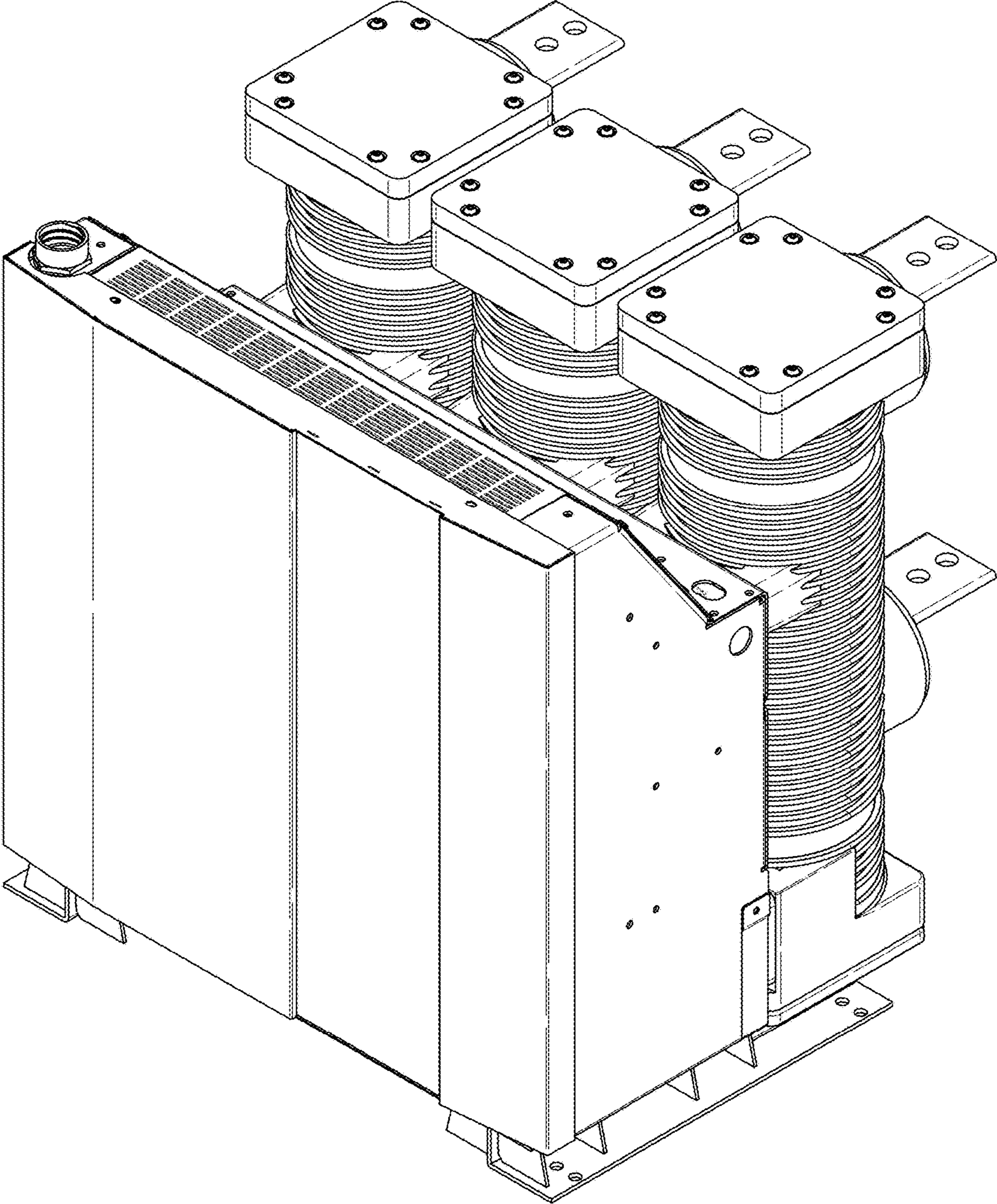
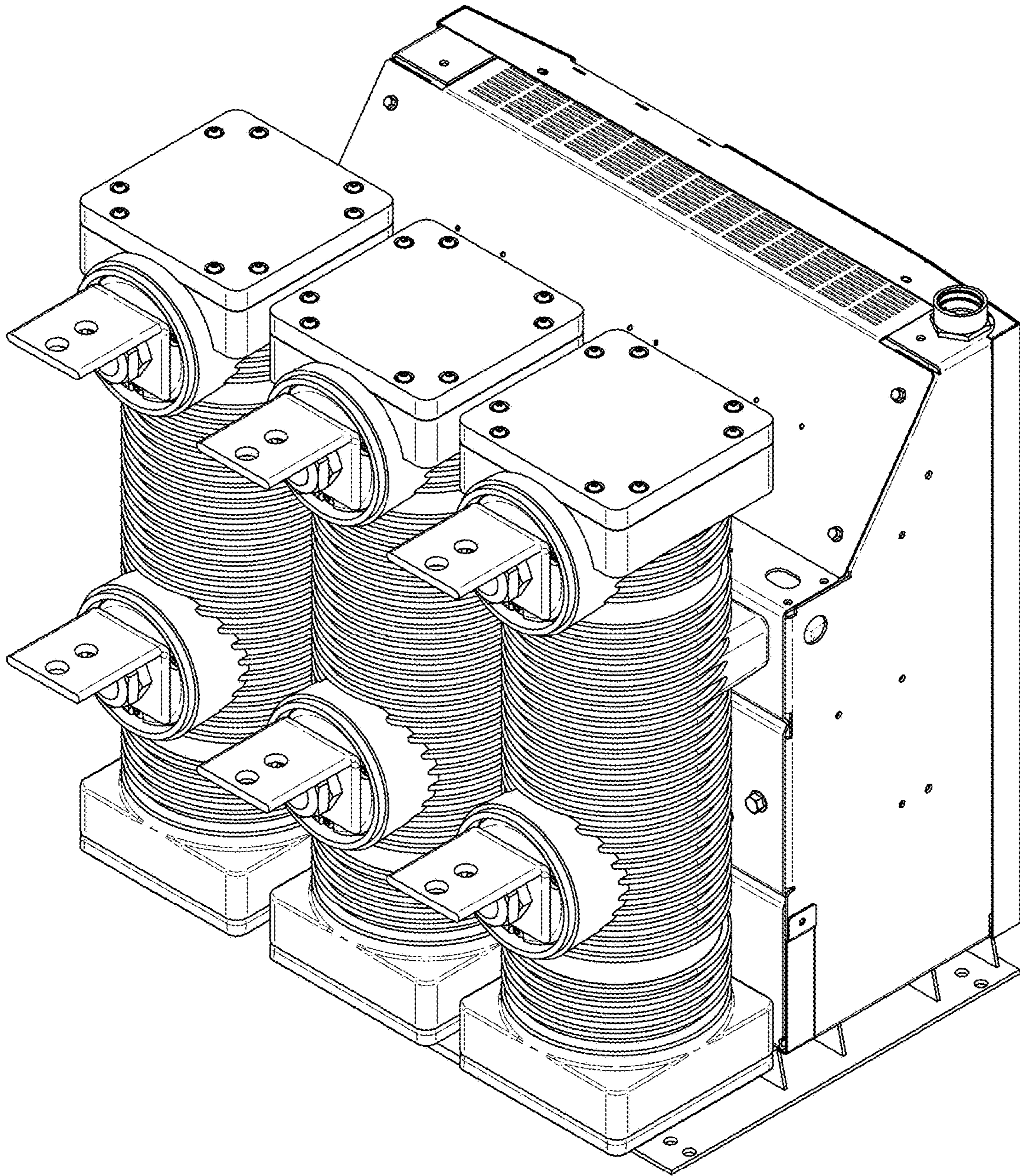


FIG. 1



*FIG. 2*

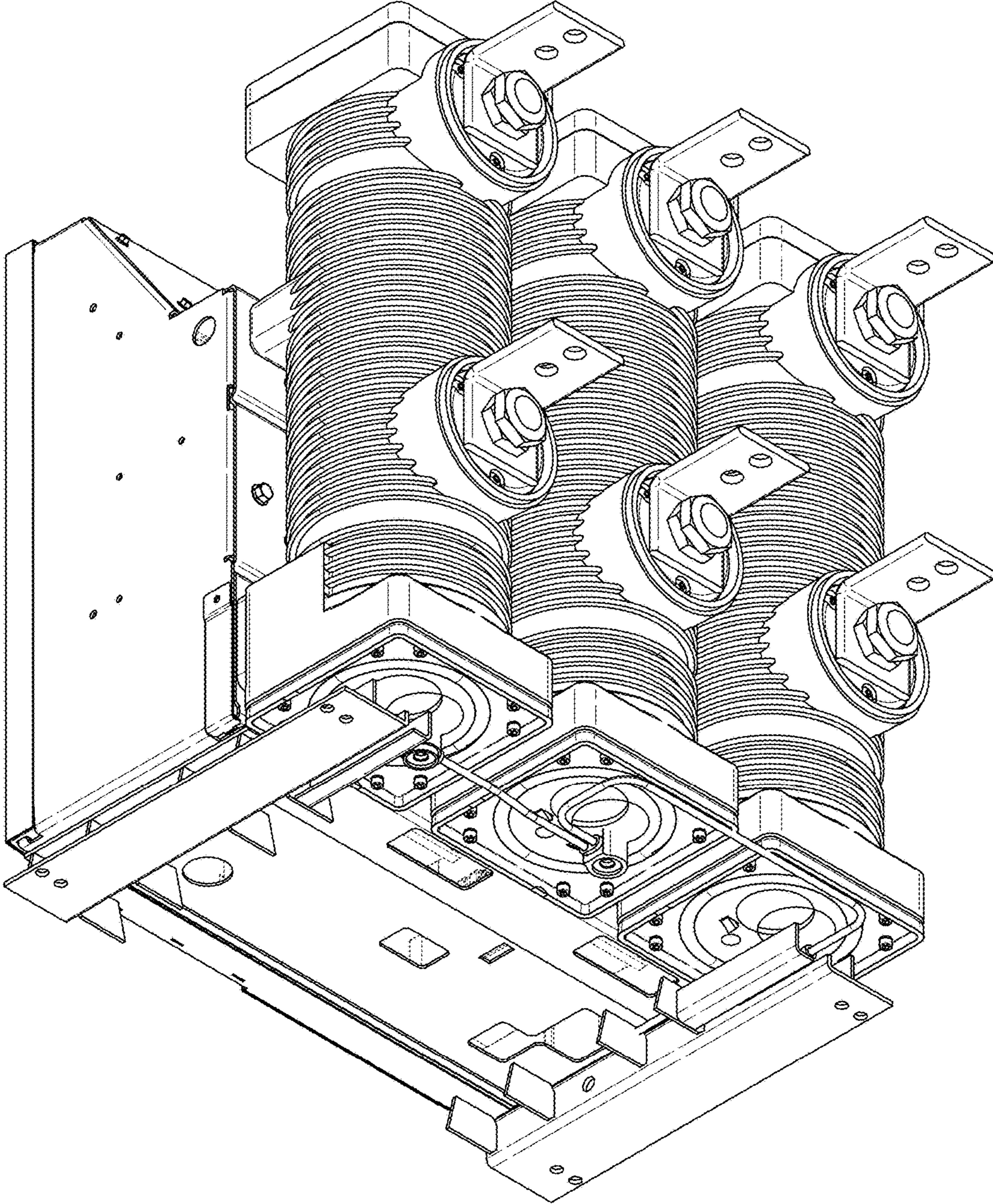


FIG. 3

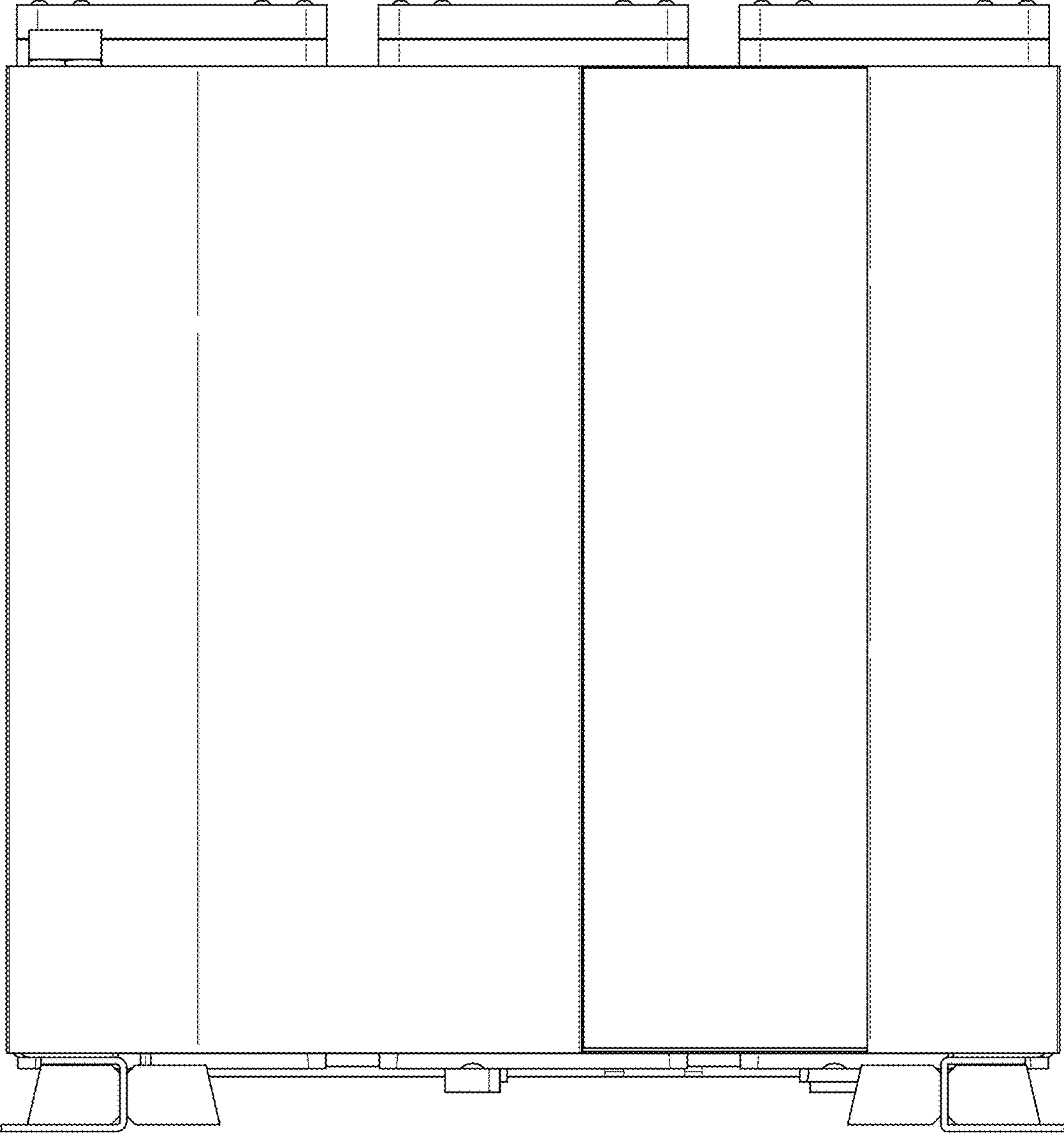
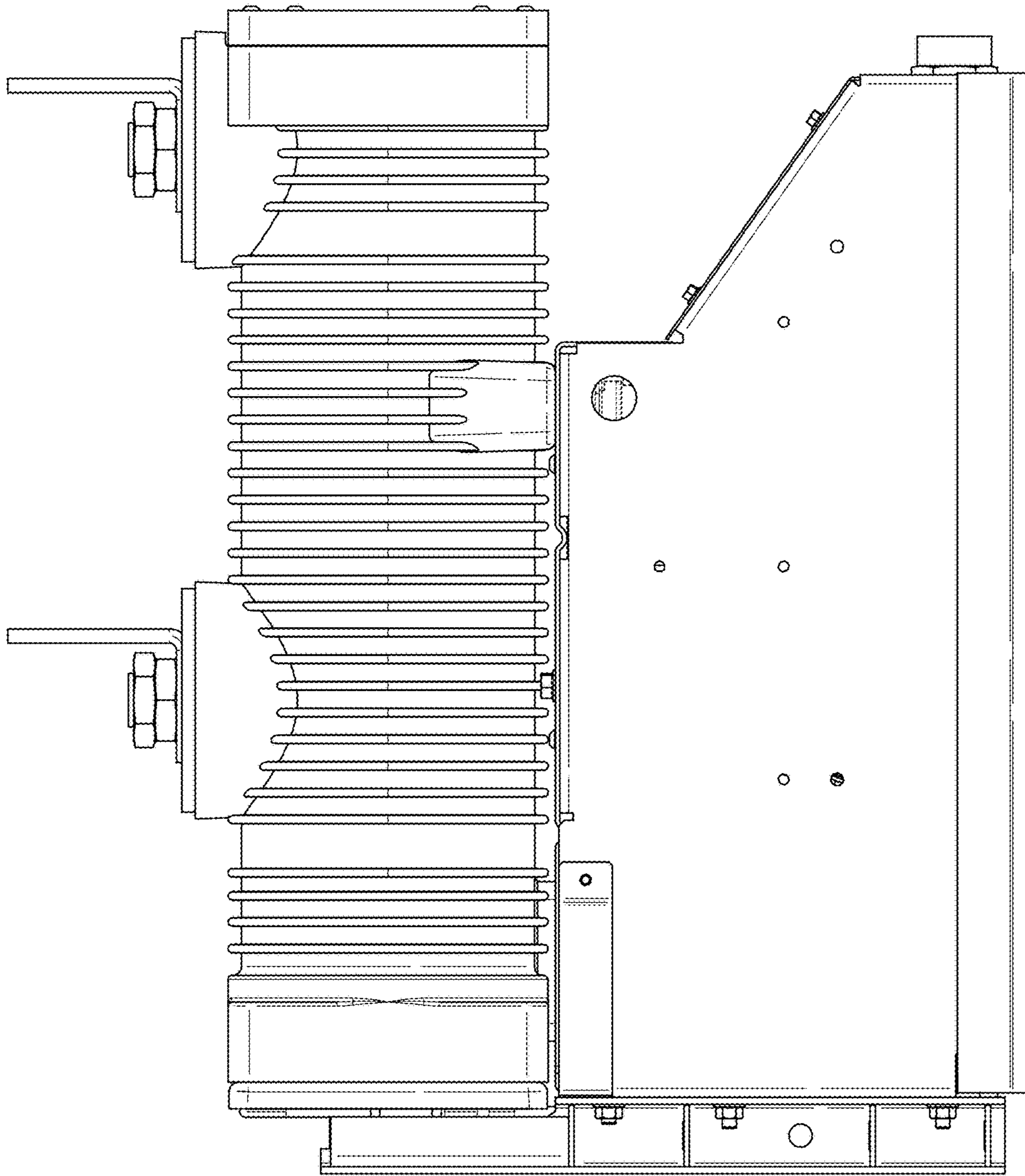
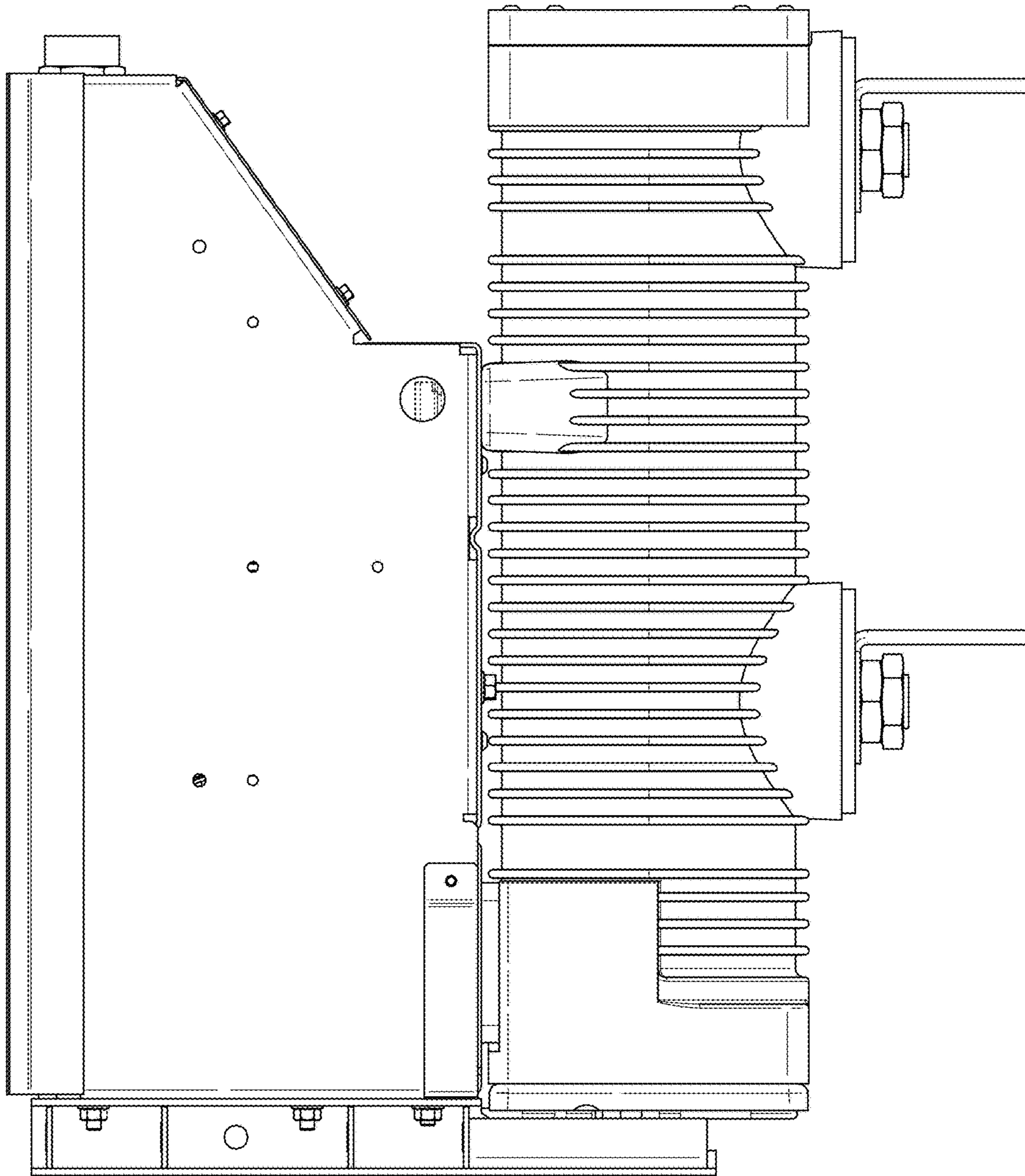


FIG. 4



*FIG. 5*



*FIG. 6*



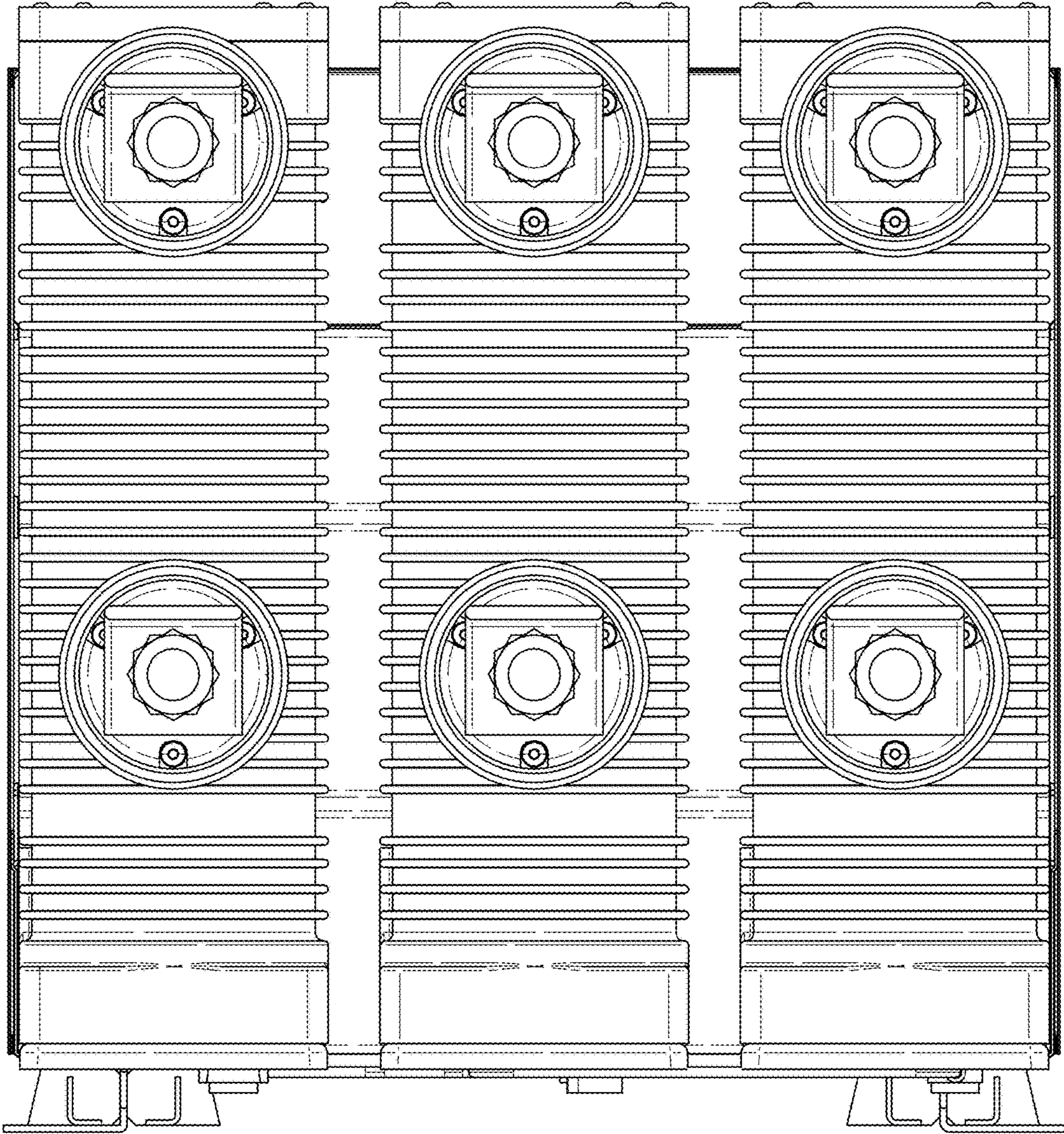


FIG. 7

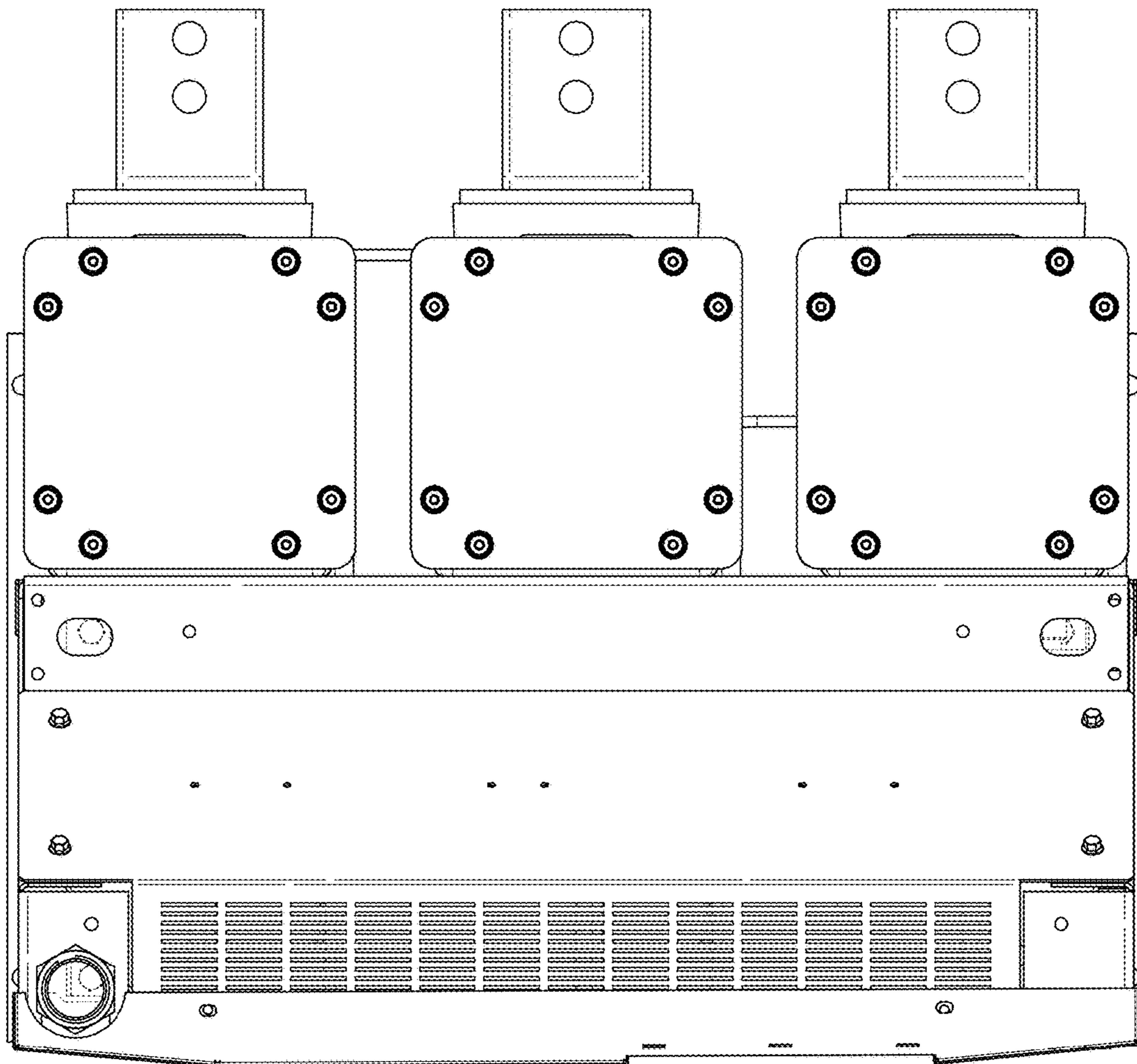


FIG. 8

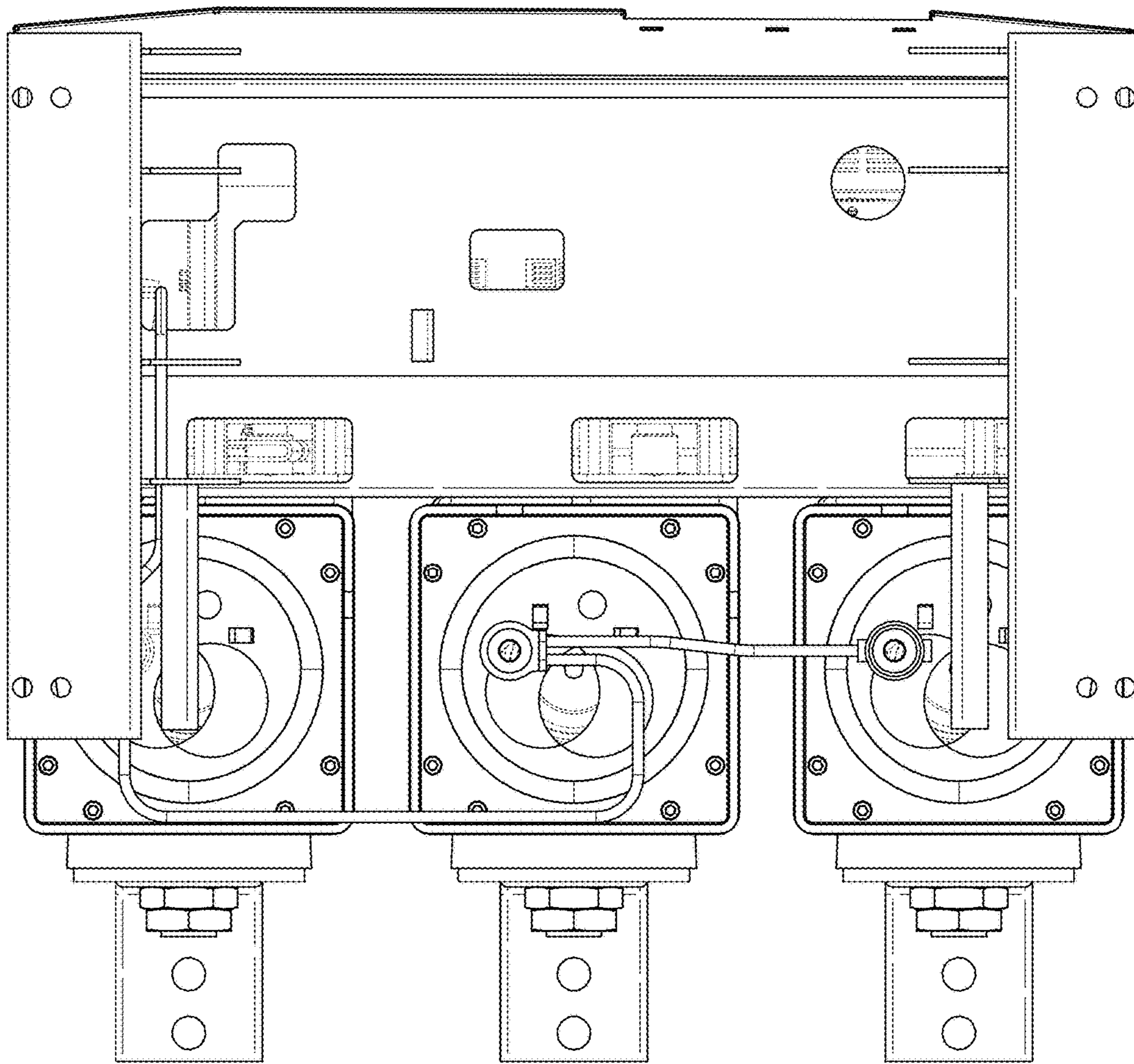


FIG. 9