



US00D777115S

(12) **United States Design Patent**
Suenaga

(10) **Patent No.:** **US D777,115 S**
(45) **Date of Patent:** **** Jan. 24, 2017**

(54) **WIRE HARNESS PROTECTOR**
(71) Applicant: **Sumitomo Wiring Systems, Ltd.**,
Yokkaichi-shi, Mie-ken (JP)
(72) Inventor: **Ryo Suenaga**, Yokkaichi (JP)
(73) Assignee: **Sumitomo Wiring Systems, Ltd.**,
Yokkaichi-shi (JP)
(**) Term: **15 Years**

4,398,564 A 8/1983 Young et al.
D270,574 S 9/1983 Black
4,572,423 A 2/1986 Spencer
D283,959 S 5/1986 Sun
4,951,716 A 8/1990 Tsunoda et al.
D314,914 S 2/1991 Callinan
5,024,251 A 6/1991 Chapman
5,203,129 A 4/1993 Johnson
5,332,866 A 7/1994 Sawamura
D351,787 S 10/1994 Hansen
5,597,980 A 1/1997 Weber
D409,896 S 5/1999 Kaplan
D415,482 S 10/1999 Jolson

(Continued)

(21) Appl. No.: **29/544,877**
(22) Filed: **Nov. 6, 2015**

Primary Examiner — Derrick Holland
(74) *Attorney, Agent, or Firm* — Caesar Rivise, PC

(30) **Foreign Application Priority Data**

Sep. 25, 2015 (JP) 2015-021119
Sep. 25, 2015 (JP) 2015-021122

(51) **LOC (10) Cl.** **13-03**

(52) **U.S. Cl.**
USPC **D13/156**

(58) **Field of Classification Search**
USPC D13/123, 154, 155, 156, 184, 199; D8/349,
D8/353, 356; D9/434, 435, 439; D23/386;
174/50, 66, 68.1, 135, 153 A; 439/445,
439/447, 535
CPC H02G 3/00; H02G 3/04; H02G 3/08;
H02G 3/0418; H02G 3/0425; H02G
3/0456; H02G 3/0487; H02G
3/045; H02G 3/0431; H02G
3/0608; H02G 3/32; Y10T 29/49826;
F16L 3/006; F16L 3/127; H04Q 1/064
See application file for complete search history.

(56) **References Cited**

U.S. PATENT DOCUMENTS

3,636,984 A 1/1972 Rauhauser
4,077,434 A 3/1978 Sieckert et al.
D265,768 S * 8/1982 Howley D19/90

(57) **CLAIM**

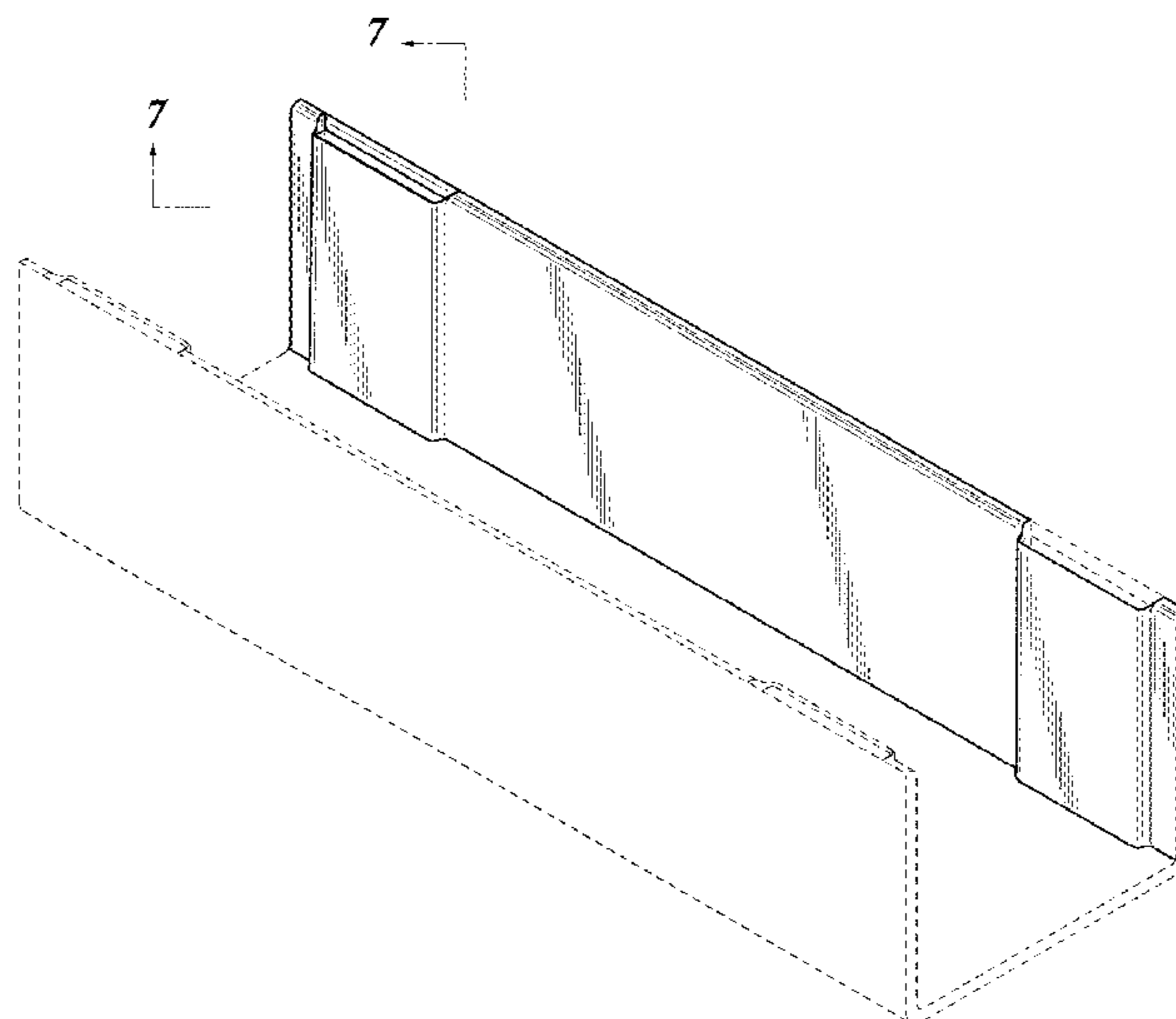
The ornamental design for a wire harness protector, as shown and described.

DESCRIPTION

FIG. 1 is a front, top, and right side perspective view of a wire harness protector showing my new design;
FIG. 2 is a front view thereof;
FIG. 3 is a rear view thereof;
FIG. 4 is a top plan view thereof;
FIG. 5 is a bottom plan view thereof;
FIG. 6 is a right side view thereof; a left side view being an identical image of FIG. 6;
FIG. 7 is an enlarged view of the portion indicated by line 7-7 in FIG. 1;
FIG. 8 is an enlarged view of the portion indicated by line 8-8 in FIG. 4;
FIG. 9 is a cross sectional view taken along line 9-9 in FIG. 8; and,
FIG. 10 is a cross sectional view taken along line 10-10 in FIG. 8.

The features shown in broken lines in the drawings depict environmental subject matter only and form no part of the claimed design.

1 Claim, 10 Drawing Sheets



(56)

References Cited

U.S. PATENT DOCUMENTS

6,037,543	A	3/2000	Nicoli et al.
6,216,746	B1	4/2001	Guebre-Tsadik et al.
6,234,429	B1	5/2001	Yang
6,450,458	B1	9/2002	Bernard
D463,969	S	10/2002	Luu
6,559,378	B1	5/2003	Bernard
7,017,615	B2	3/2006	Suzuki et al.
7,214,879	B1	5/2007	Suzuki et al.
7,246,778	B2 *	7/2007	Caveney H02G 3/0608 248/68.1
D582,351	S *	12/2008	Gya D13/155
D602,764	S	10/2009	Pae et al.
D604,119	S	11/2009	Kim
D604,603	S	11/2009	Kohno
D611,326	S	3/2010	Alaniz et al.
7,687,713	B2	3/2010	VanderVelde et al.
7,763,800	B2	7/2010	Lesniak et al.
7,825,339	B2	11/2010	Suzuki
D635,935	S	4/2011	Donowho
D638,687	S	5/2011	Minkley et al.
7,964,796	B2	6/2011	Suzuki
8,119,913	B2	2/2012	Sonotsu
8,124,887	B2	2/2012	Suzuki
8,188,368	B2	5/2012	Suzuki
8,319,099	B2	11/2012	Xu et al.
8,575,487	B2	11/2013	Agusa
8,733,798	B2	5/2014	McCarthy et al.
2003/0047343	A1	3/2003	Ferris
2005/0103517	A1	5/2005	Canepa
2005/0217888	A1	10/2005	Arai et al.
2005/0241715	A1	11/2005	Suzuki et al.
2009/0090533	A1	4/2009	Jones et al.
2010/0193060	A1	8/2010	McCarthy et al.

* cited by examiner

FIG. 1

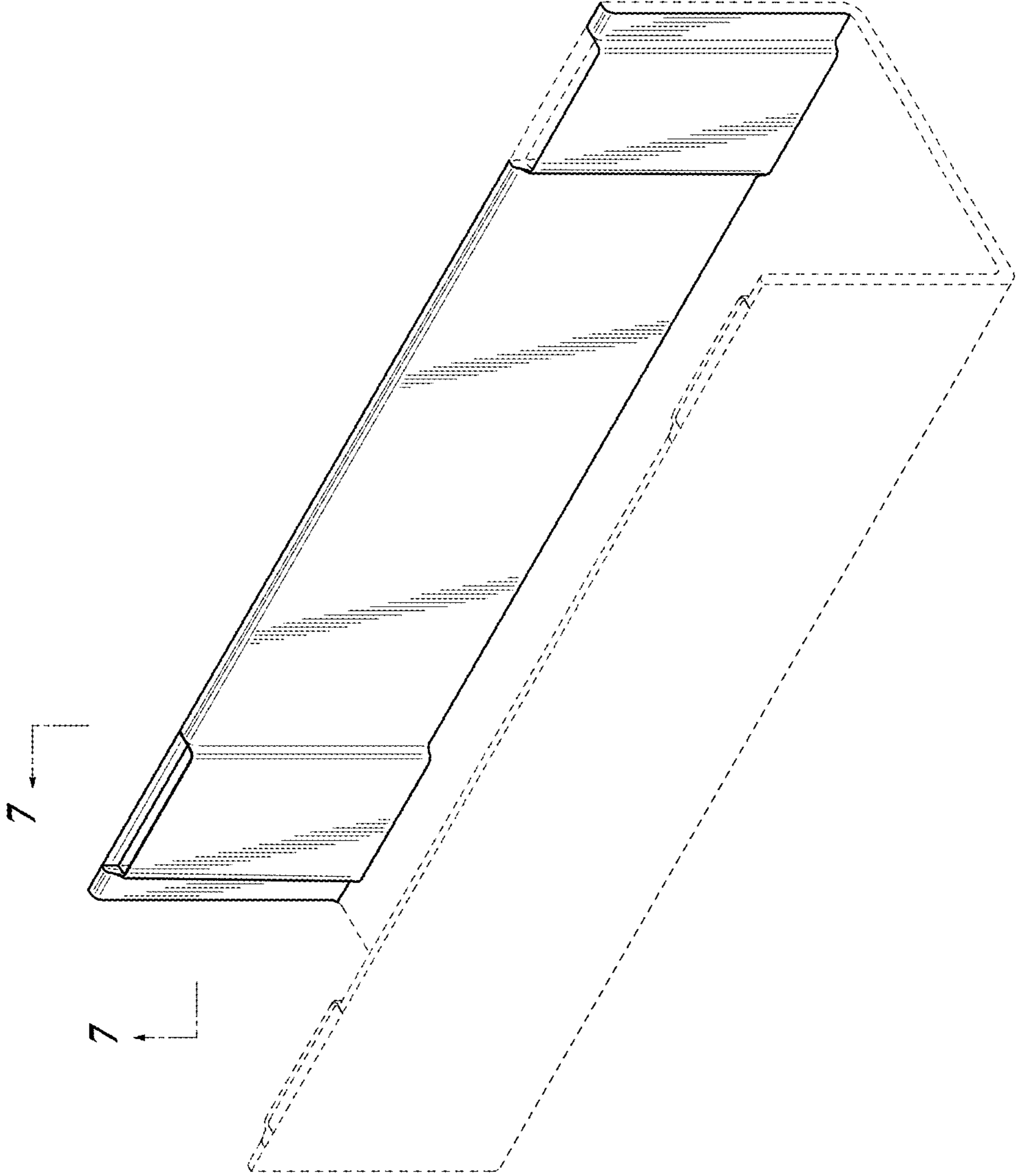


FIG. 2

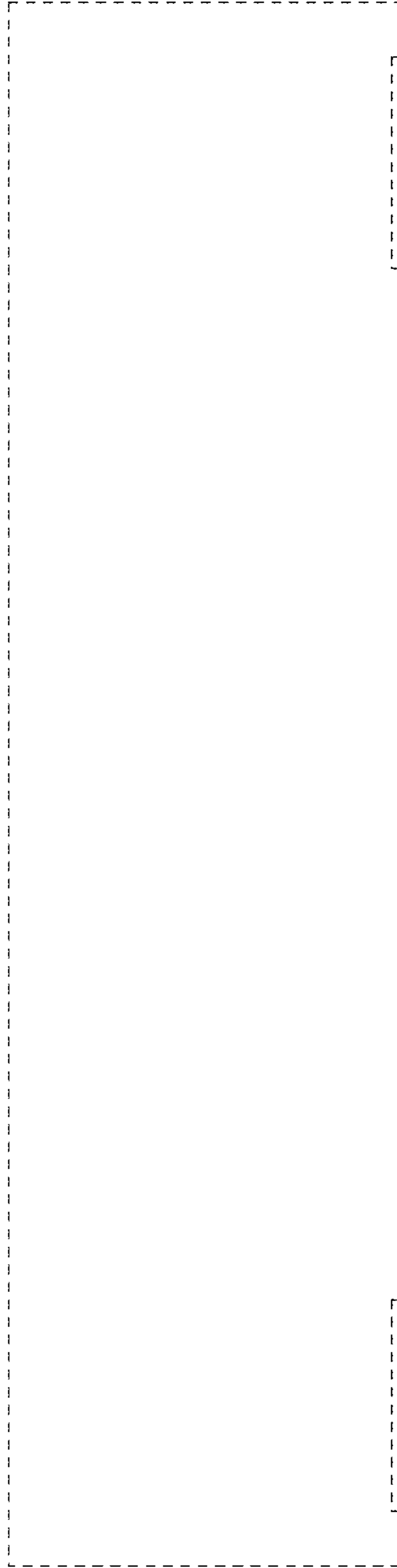


FIG. 3

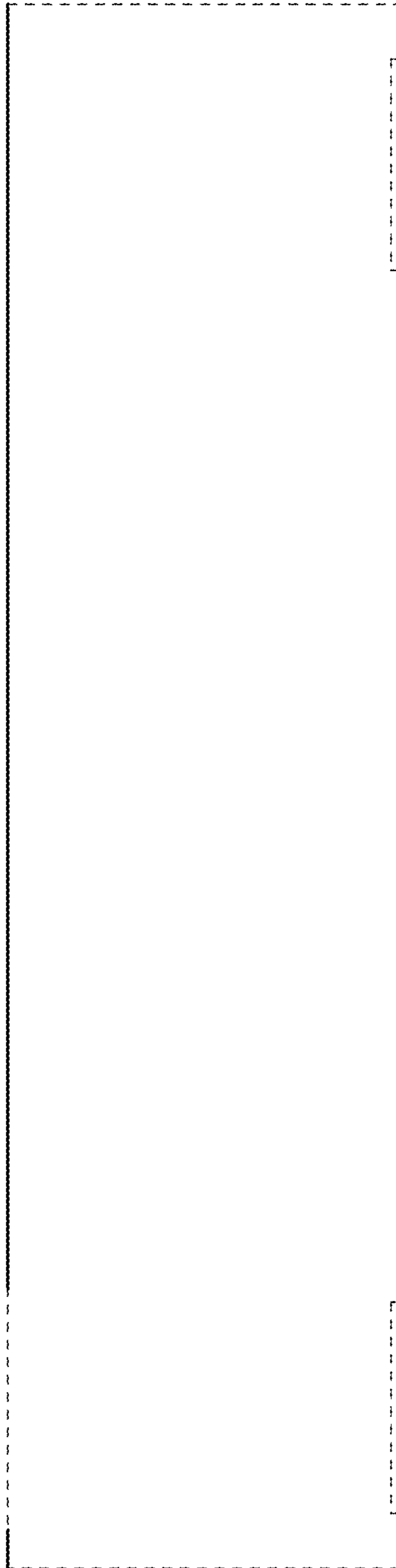


FIG. 4

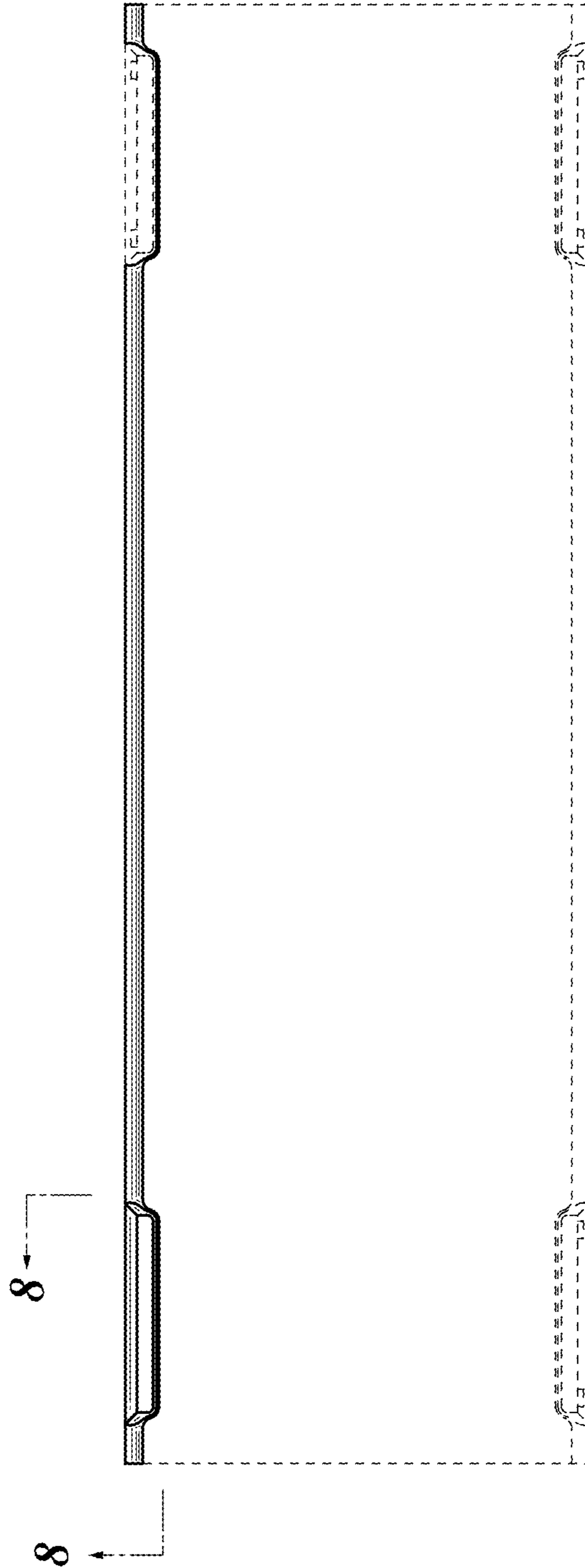


FIG. 5

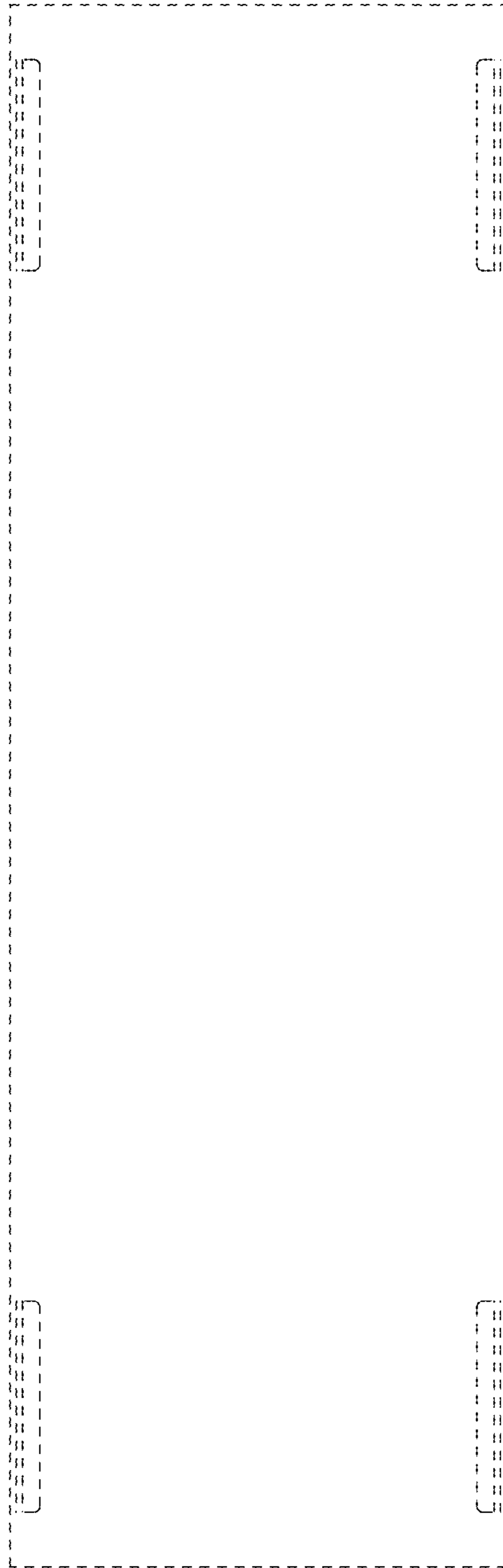


FIG. 6



FIG. 7

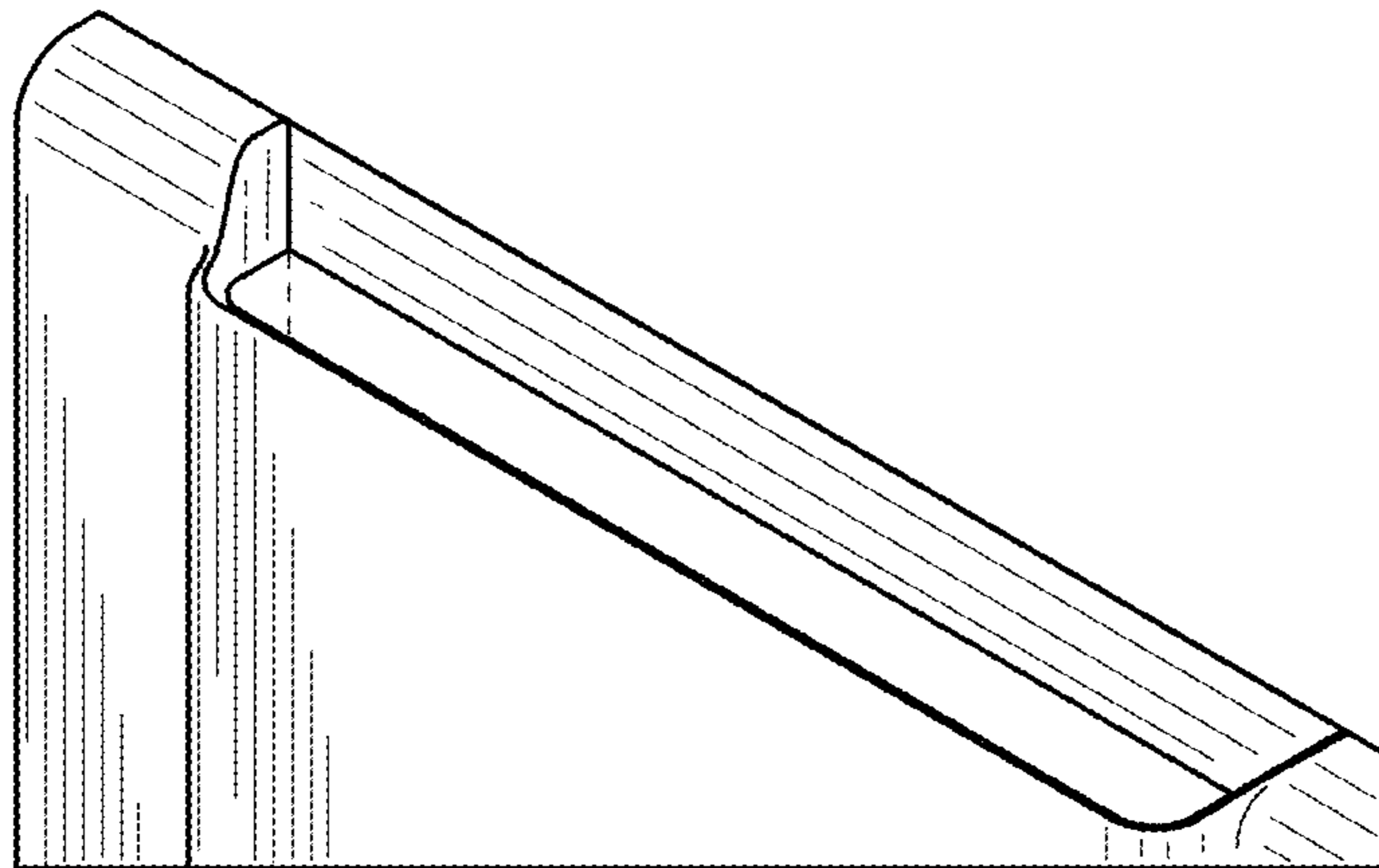


FIG. 8

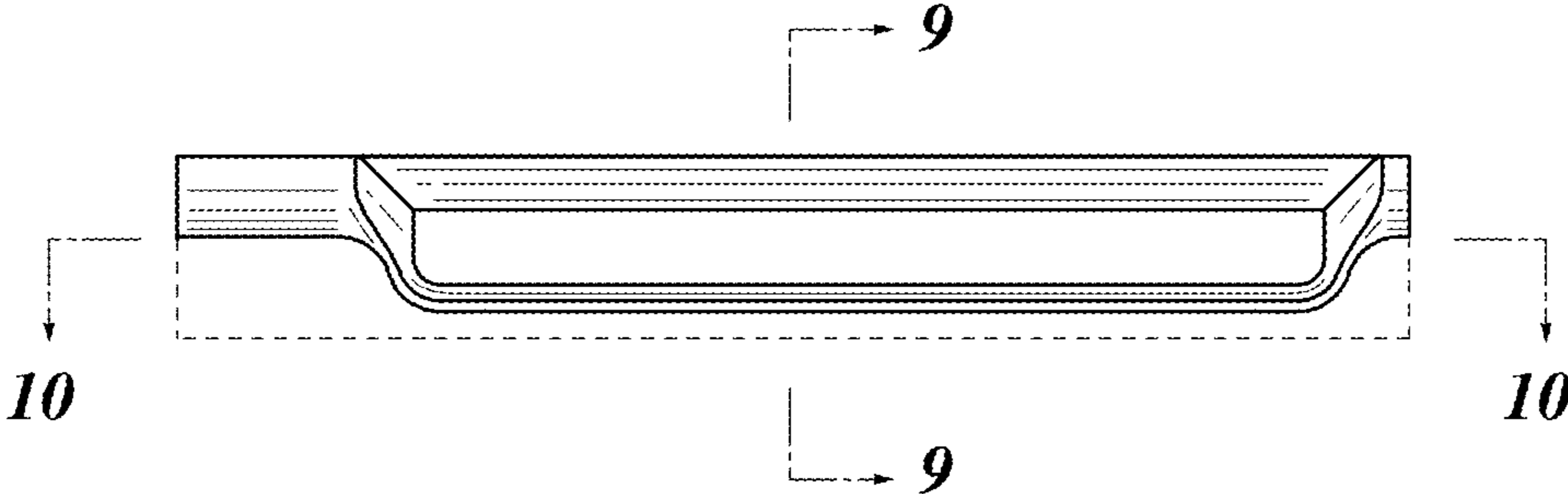


FIG. 9

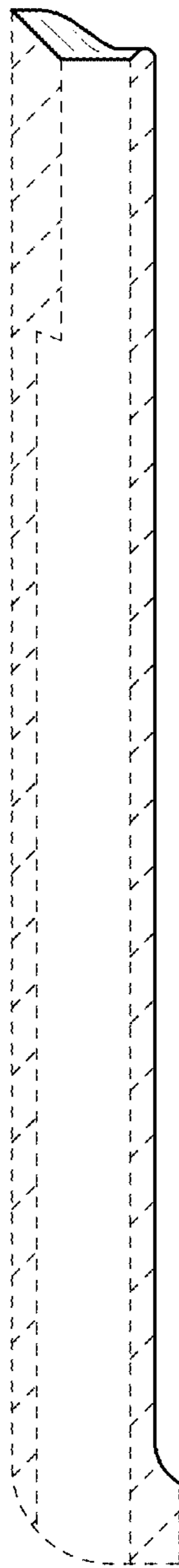


FIG. 10

