



US00D777114S

(12) **United States Design Patent** (10) **Patent No.:** **US D777,114 S**
Winn (45) **Date of Patent:** **** *Jan. 24, 2017**

(54) **WIRE CABLE TRAY**

(56) **References Cited**

(71) Applicant: **Richard Gregg Winn**, Belleville, IL (US)

U.S. PATENT DOCUMENTS

(72) Inventor: **Richard Gregg Winn**, Belleville, IL (US)

5,384,937	A *	1/1995	Simon	24/295
6,138,961	A *	10/2000	Zweig	248/68.1
6,193,434	B1 *	2/2001	Durin et al.	403/329
6,239,364	B1 *	5/2001	Nickel	174/480
6,247,871	B1 *	6/2001	Nickel et al.	403/396
6,855,884	B2 *	2/2005	Spagnoli et al.	174/507
7,544,895	B2 *	6/2009	Penichon	174/135
7,546,987	B2 *	6/2009	Sinkoff	248/68.1
7,903,924	B2 *	3/2011	Pollard et al.	385/135
D692,838	S *	11/2013	Winn	D13/155
2001/0009192	A1 *	7/2001	Quertelet	174/48
2004/0056157	A1 *	3/2004	Dufourg	248/68.1
2004/0144898	A1 *	7/2004	Spagnoli	248/68.1
2005/0284828	A1 *	12/2005	Remmers	211/94.01
2006/0038091	A1 *	2/2006	Winn et al.	248/49
2010/0126950	A1 *	5/2010	Winn	211/133.5
2011/0006022	A1 *	1/2011	Caveney et al.	211/133.5

(*) Notice: This patent is subject to a terminal disclaimer.

(**) Term: **14 Years**

(21) Appl. No.: **29/465,266**

(22) Filed: **Aug. 26, 2013**

Related U.S. Application Data

(63) Continuation-in-part of application No. 29/434,792, filed on Oct. 17, 2012, now Pat. No. Des. 692,838, which is a continuation of application No. 12/319,836, filed on Jan. 13, 2009.

* cited by examiner

Primary Examiner — Derrick Holland

Assistant Examiner — Lauren Calve

(74) *Attorney, Agent, or Firm* — Douglas E. Warren

(51) **LOC (10) Cl.** **13-03**

(57) **CLAIM**

(52) **U.S. Cl.**
USPC **D13/155**

The ornamental design for a wire cable tray, substantially as shown and described.

(58) **Field of Classification Search**

DESCRIPTION

USPC D13/155, 184, 199; 403/346, 391, 403/396-399; 248/49, 68.1, 249, 300, 248/302; 174/480, 481; D3/304, 306, 308, D3/309; D7/600.1, 704

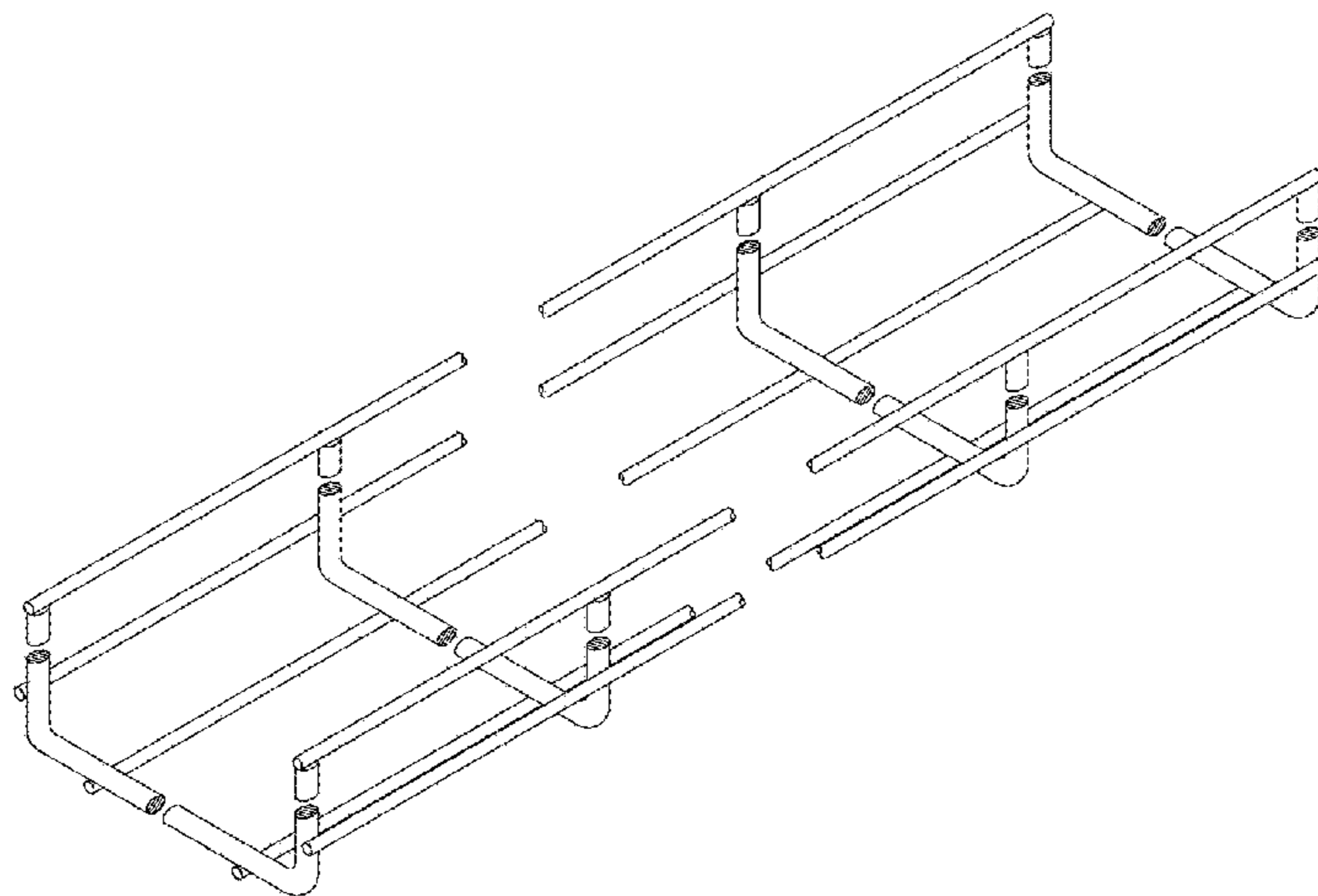
CPC Y10T 403/7141; Y10T 403/7001; Y10T 403/7194; Y10T 29/49826; Y10T 403/7129; Y10T 403/7152; Y10T 403/3906; Y10T 24/44974; Y10T 403/341; F16L 3/2235; F16L 3/223; F16L 3/26; F16L 3/227; F16L 3/222; H02G 3/0608; H02G 11/006; H02G 3/30; H02G 3/0443; H02G 3/263

FIG. 1 is a front perspective view of a wire cable tray of the present invention;
 FIG. 2 is an end elevation view thereof;
 FIG. 3 is a top plan view thereof;
 FIG. 4 is a left elevation view thereof;
 FIG. 5 is a bottom plan view thereof; and,
 FIG. 6 is a sectional view thereof taken along lines 6-6 indicated in FIG. 3.

The claim is shown with a symbolic break in its length, width, and height. The appearance of any portion of the article between the break lines forms no part of the claimed design.

See application file for complete search history.

1 Claim, 2 Drawing Sheets



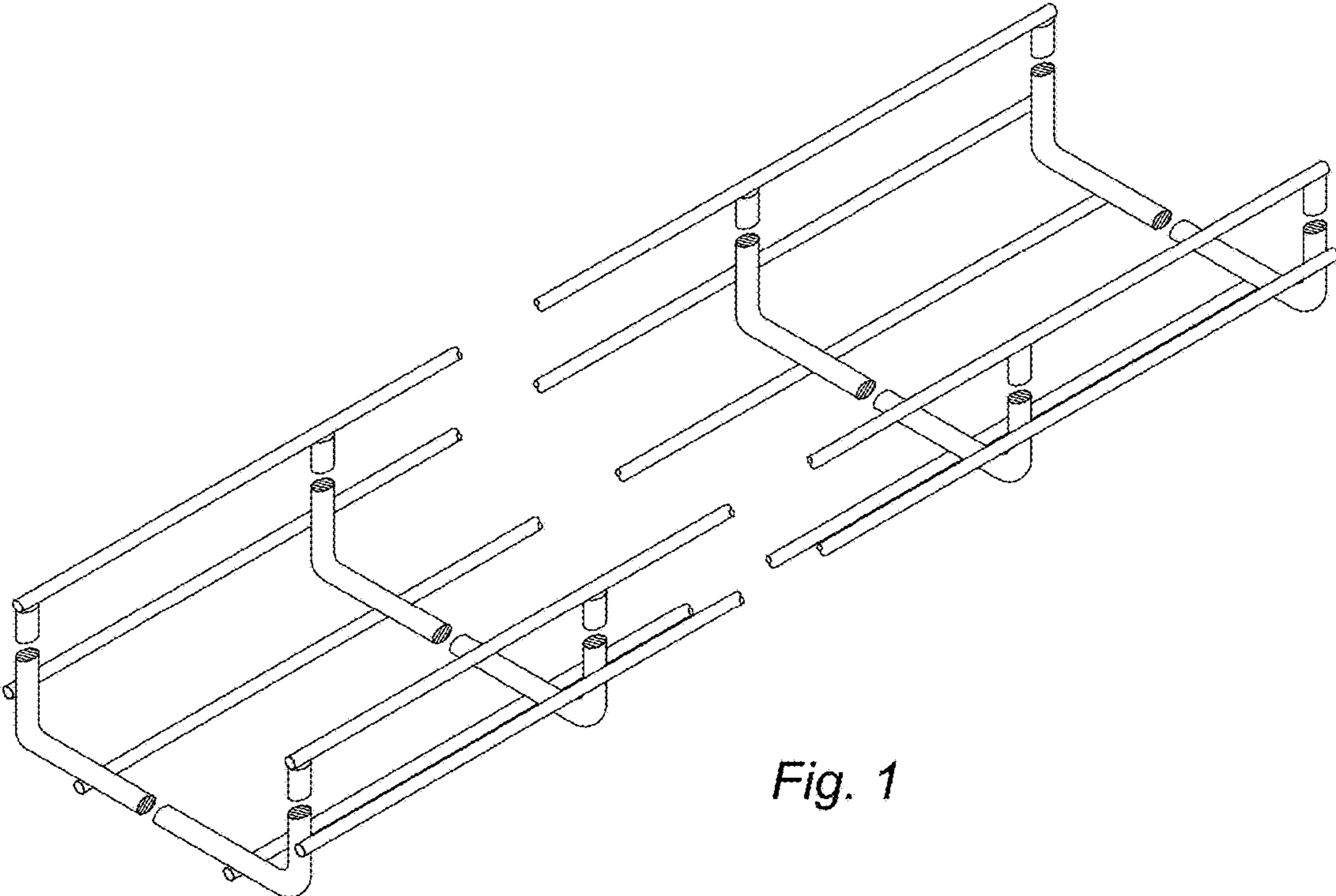


Fig. 1

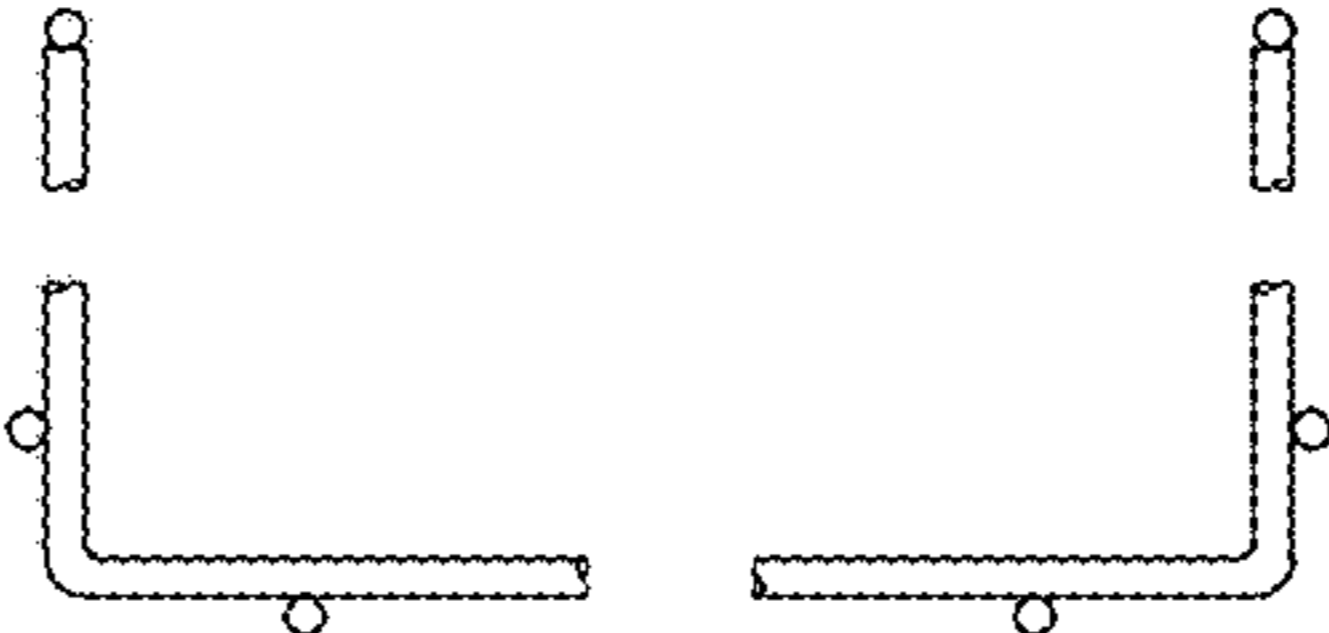


Fig. 2

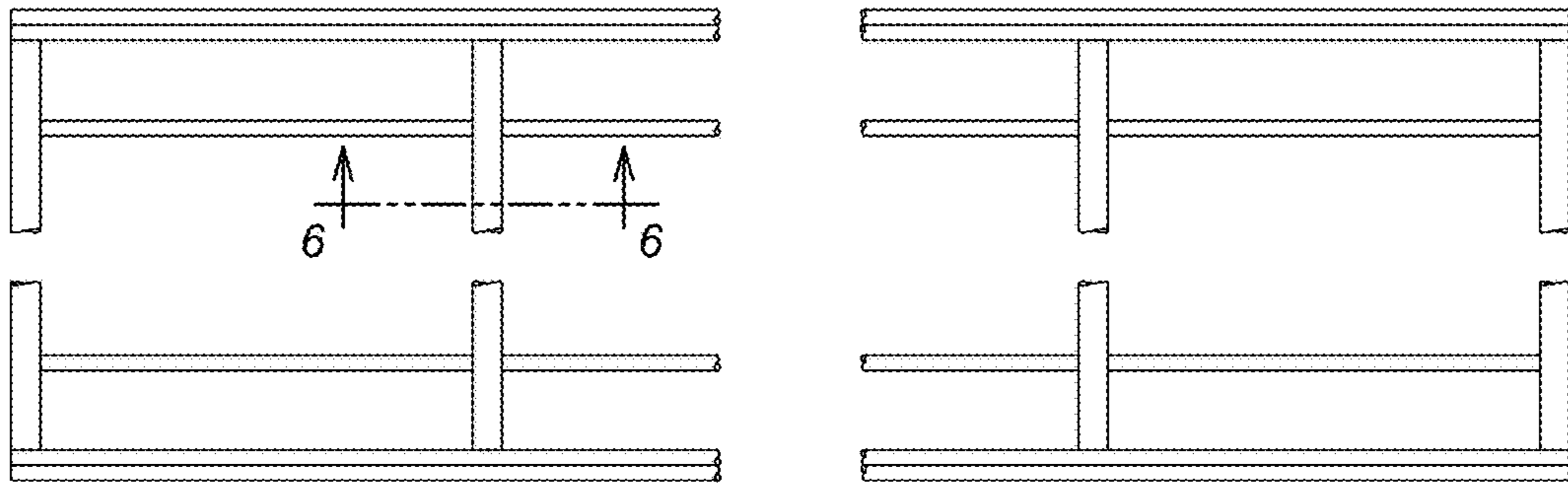


Fig. 3

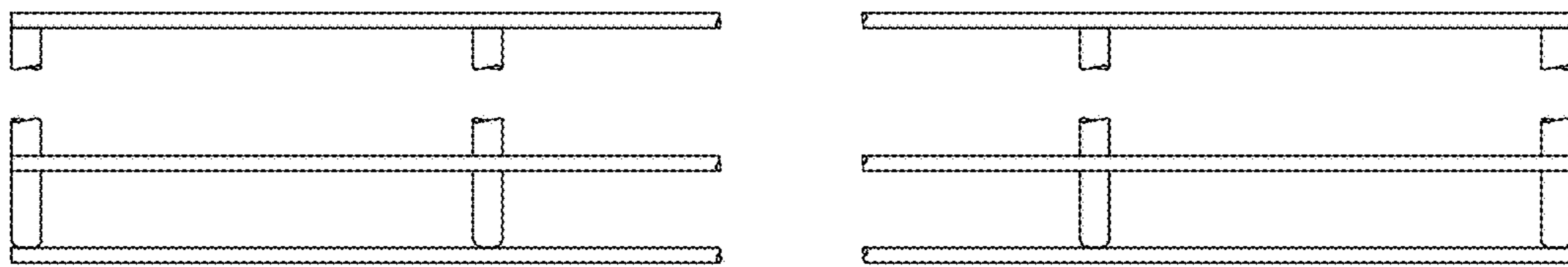


Fig. 4

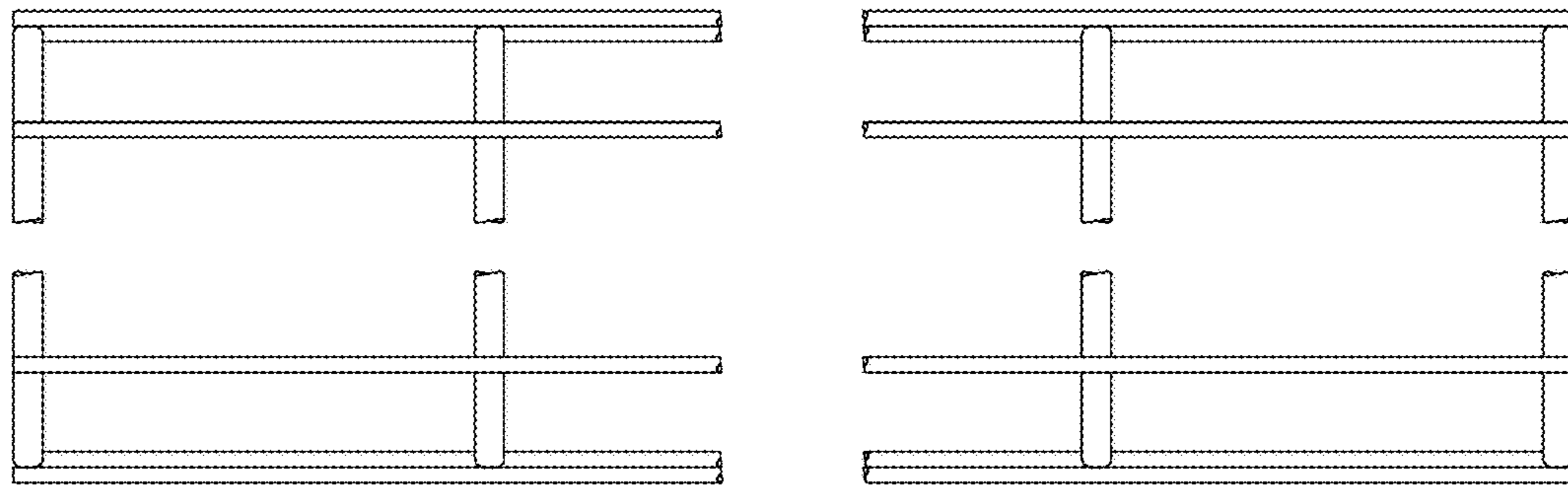


Fig. 5

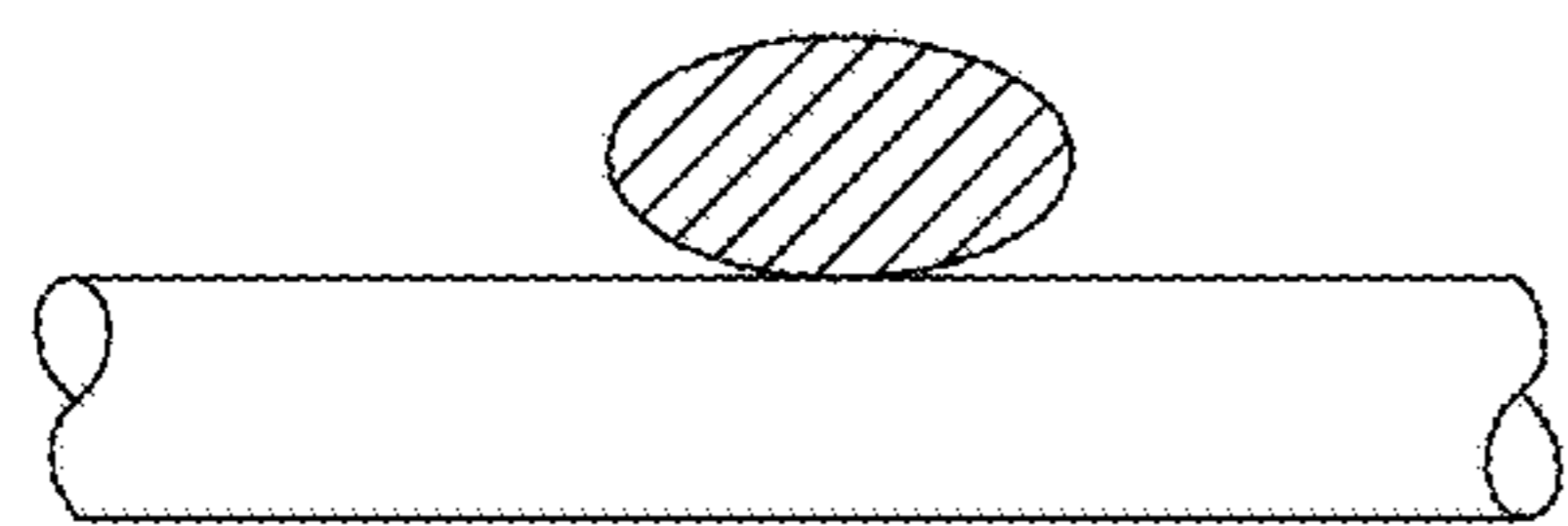


Fig. 6