



US00D777113S

(12) **United States Design Patent**
Haley

(10) **Patent No.:** **US D777,113 S**

(45) **Date of Patent:** **** Jan. 24, 2017**

(54) **ELECTRICAL CONNECTOR**
(71) Applicant: **Horizon Hobby, LLC**, Champaign, IL
(US)

(72) Inventor: **James Haley**, Champaign, IL (US)

(73) Assignee: **HORIZON HOBBY, LLC**,
Champaign, IL (US)

(**) Term: **14 Years**

(21) Appl. No.: **29/521,307**

(22) Filed: **Mar. 23, 2015**

(51) **LOC (10) Cl.** **13-03**

(52) **U.S. Cl.**
USPC **D13/154**

(58) **Field of Classification Search**
USPC D13/110, 133, 146, 147, 154, 184, 199
CPC H01R 12/55; H01R 12/58; H01R 12/592;
H01R 12/65; H01R 12/675; H01R 12/77;
H01R 12/777

See application file for complete search history.

(56) **References Cited**

U.S. PATENT DOCUMENTS

D419,522 S * 1/2000 Kamagai D13/120
D457,194 S * 5/2002 Goto D13/147

D596,130 S * 7/2009 Chen D13/147
D613,689 S * 4/2010 Yang D13/120
D655,677 S * 3/2012 Gouhl D13/146
D761,206 S * 7/2016 Chen D13/146

* cited by examiner

Primary Examiner — Daniel Bui

(74) *Attorney, Agent, or Firm* — Barnes & Thornburg
LLP

(57) **CLAIM**

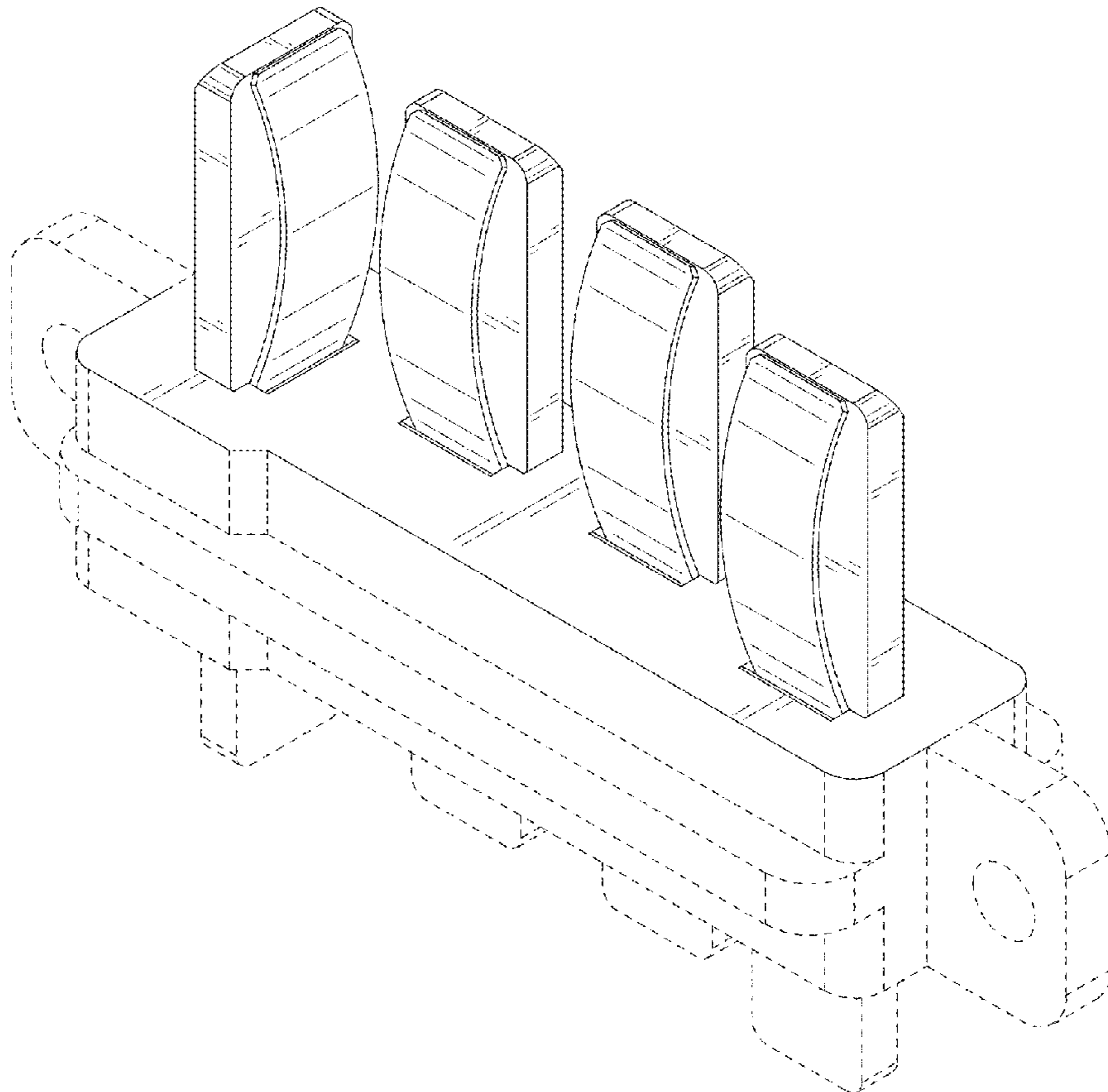
The ornamental design for an electrical connector, as shown
and described.

DESCRIPTION

FIG. 1 is a top, front and right side perspective view of an
electrical connector showing my new design;
FIG. 2 is a front elevation view thereof;
FIG. 3 is a rear elevation view thereof;
FIG. 4 is a left side elevation view thereof;
FIG. 5 is a right side elevation view thereof;
FIG. 6 is a top plan view thereof; and,
FIG. 7 is a bottom plan view thereof.

The broken lines the drawings represents unclaimed envi-
ronment and forms no part of the claimed design.

1 Claim, 6 Drawing Sheets



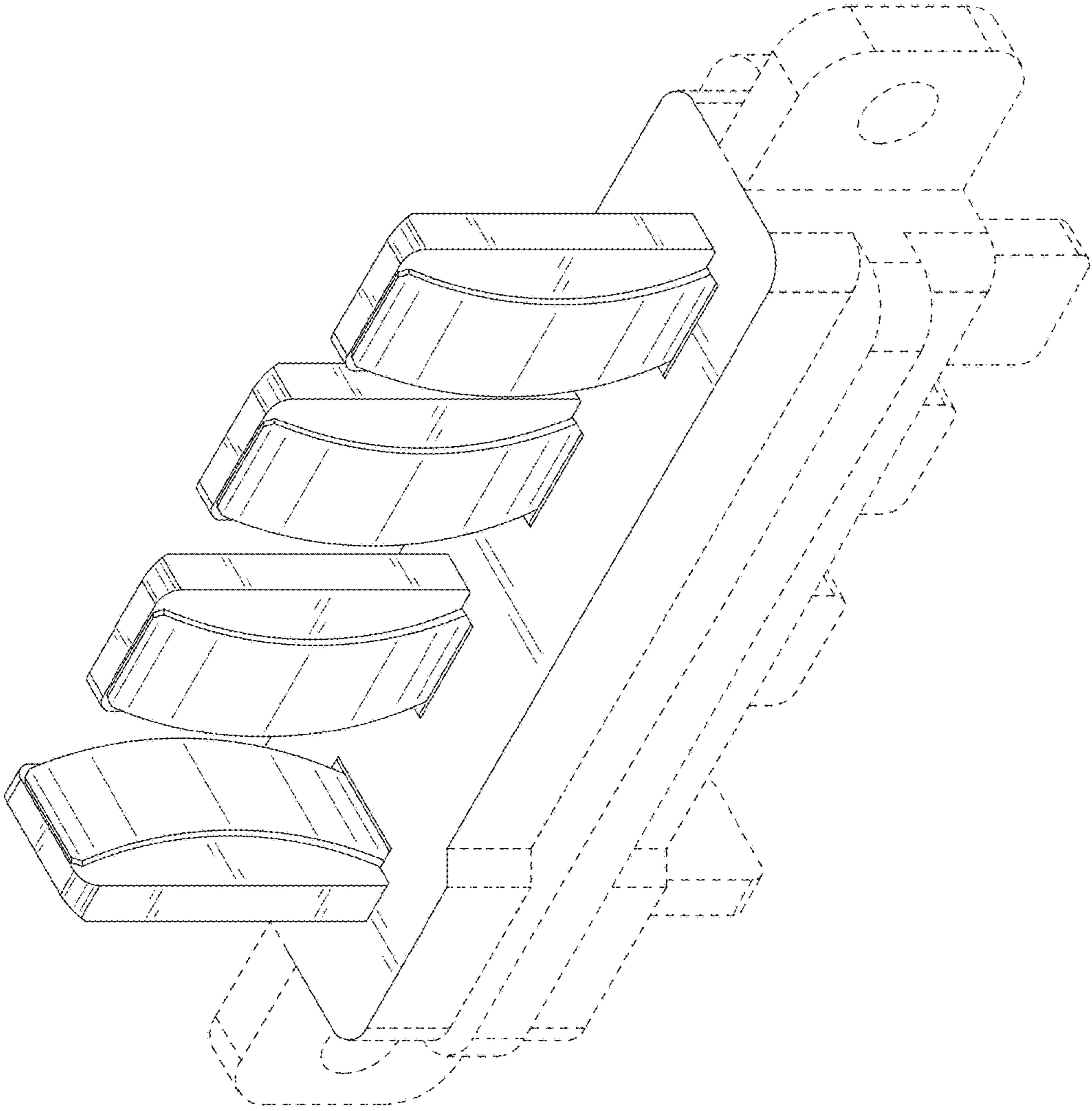


FIG. 1

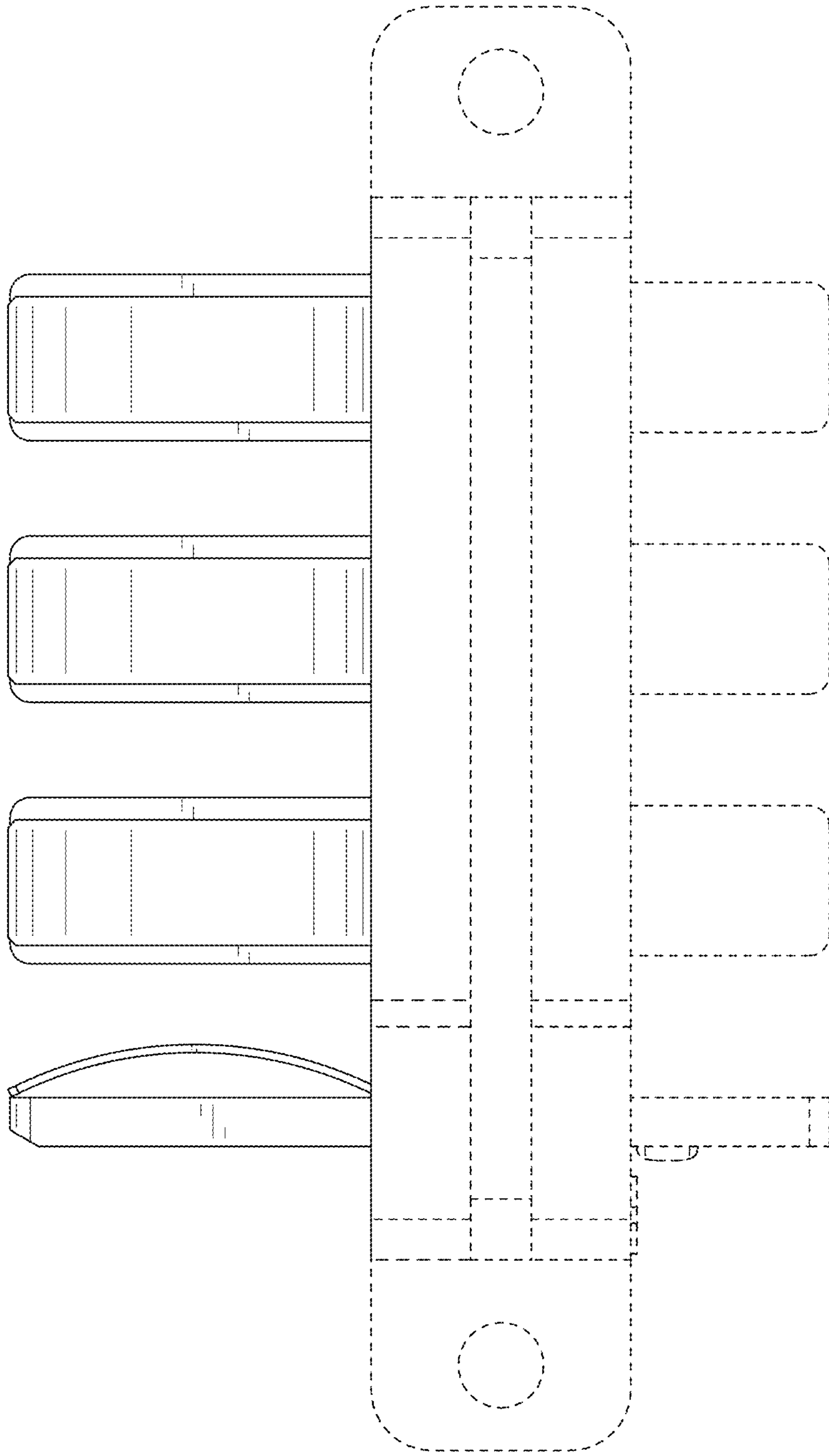


FIG. 2

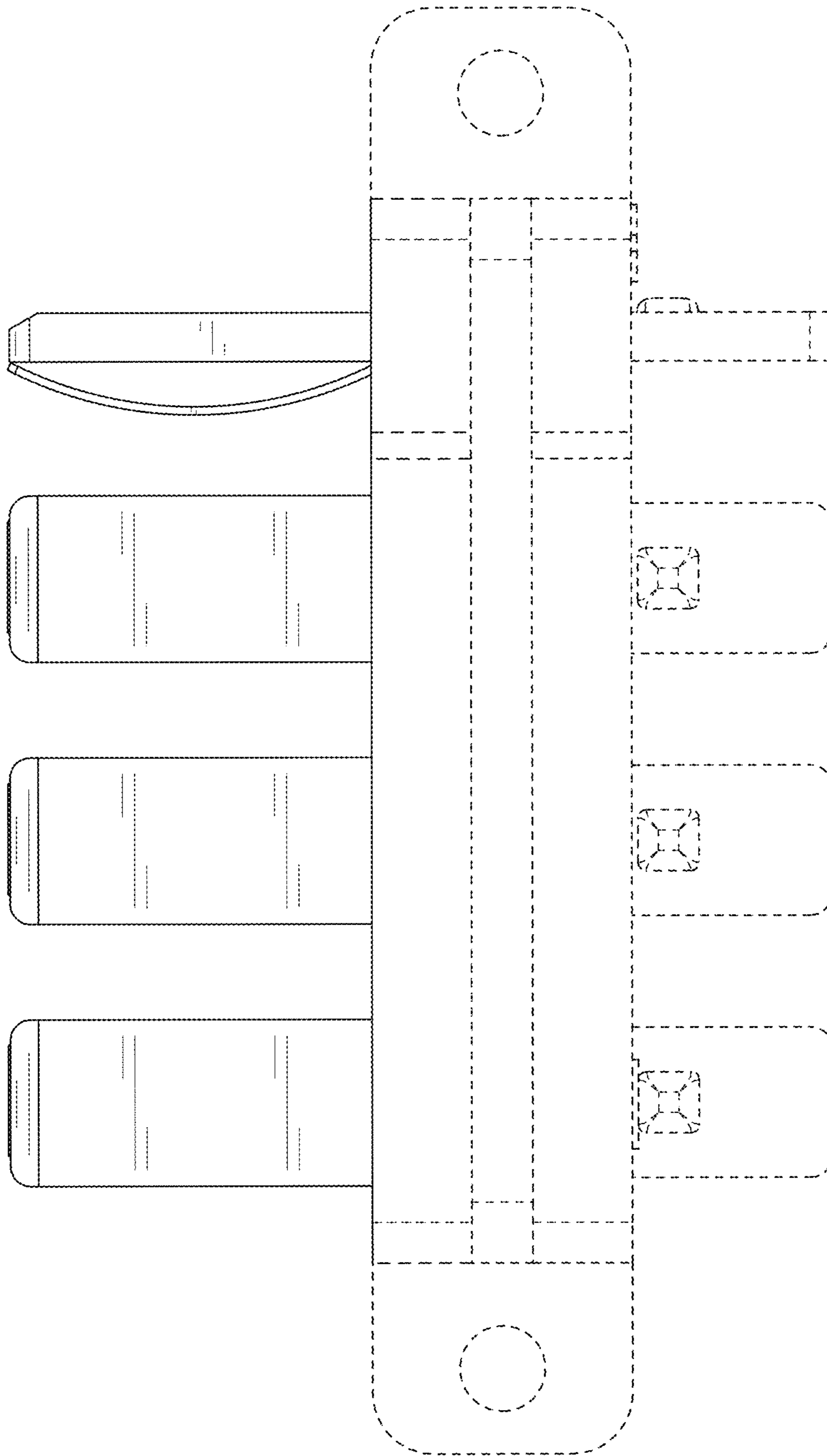


FIG. 3

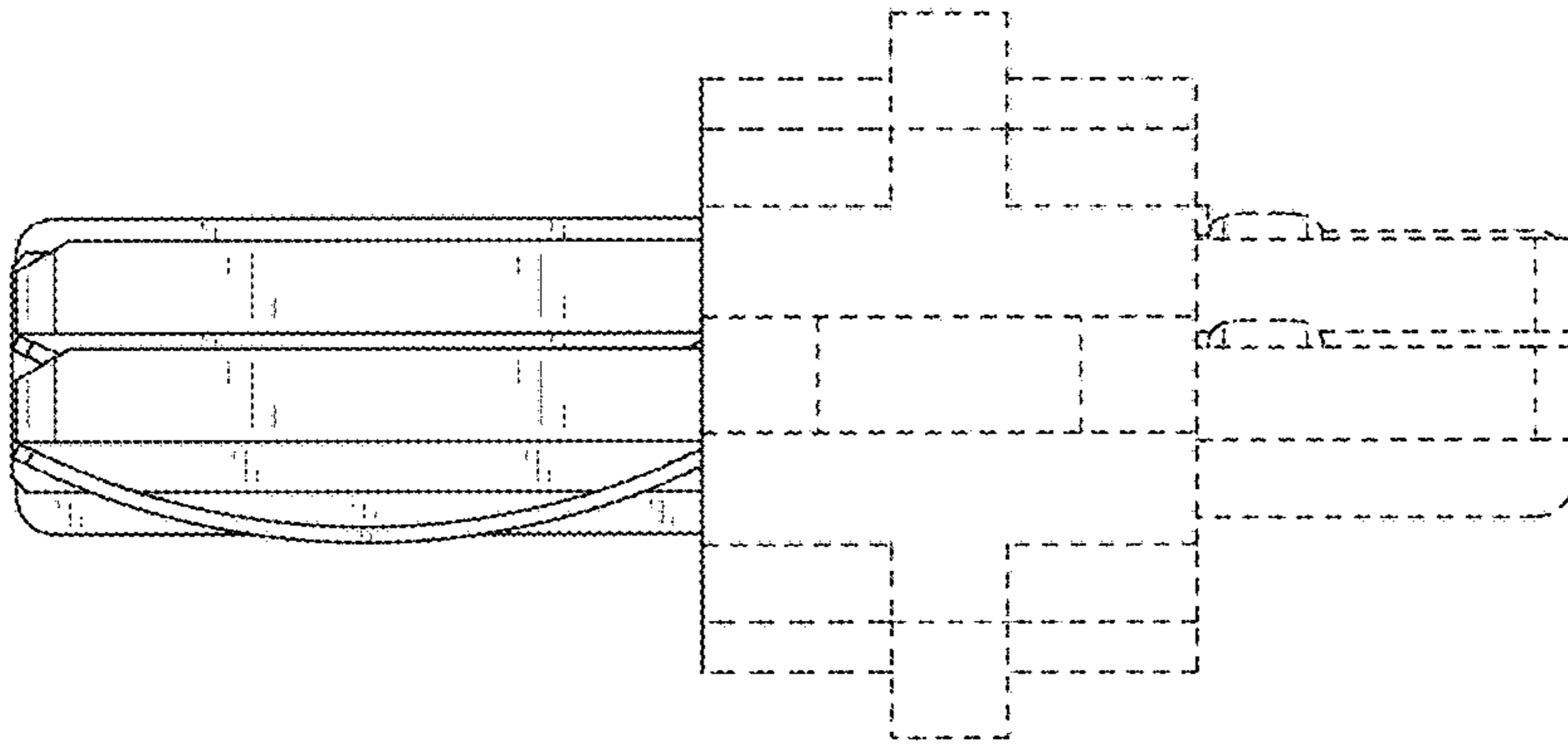


FIG. 5

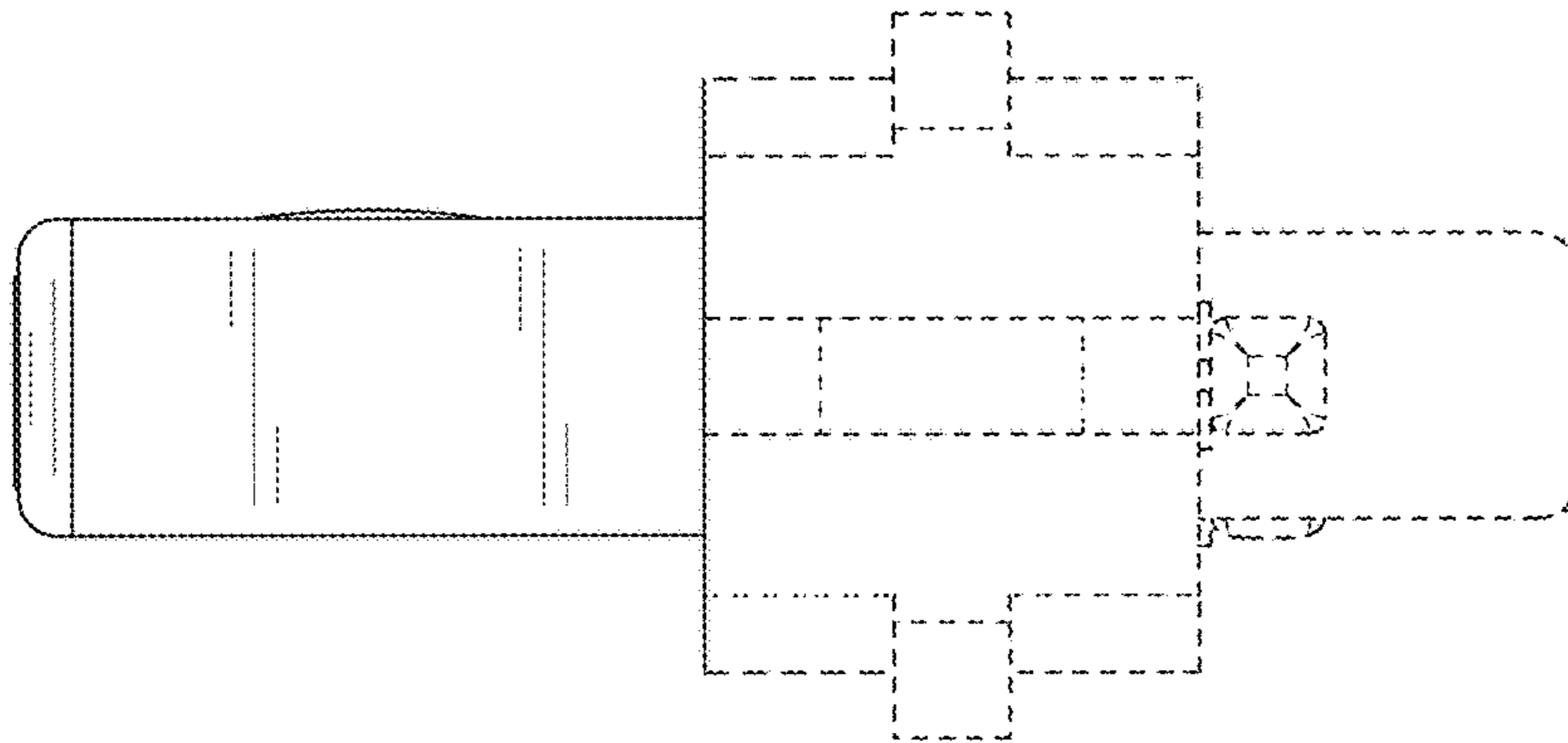


FIG. 4

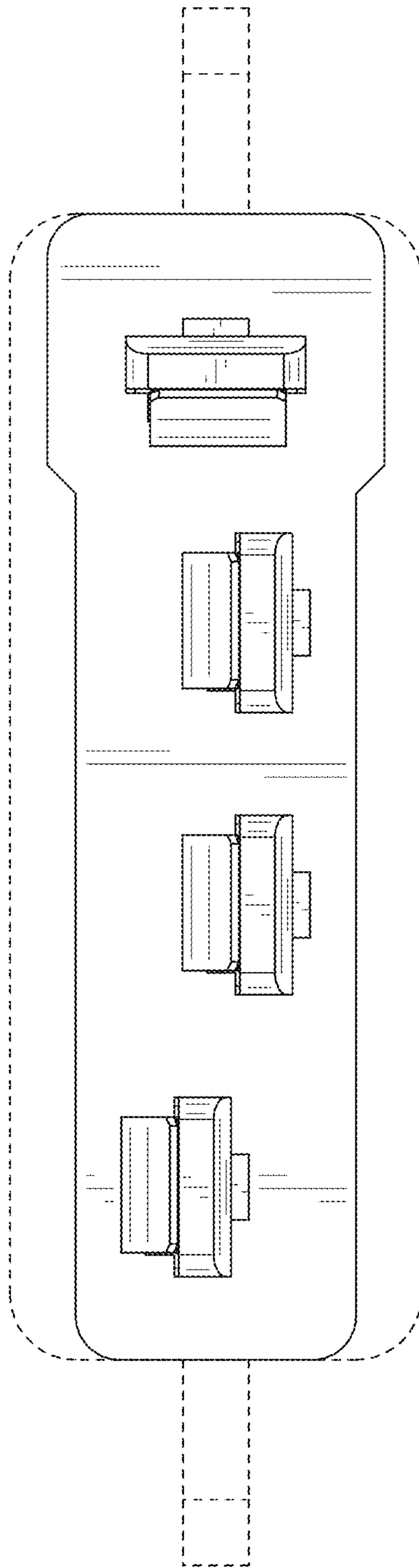


FIG. 6

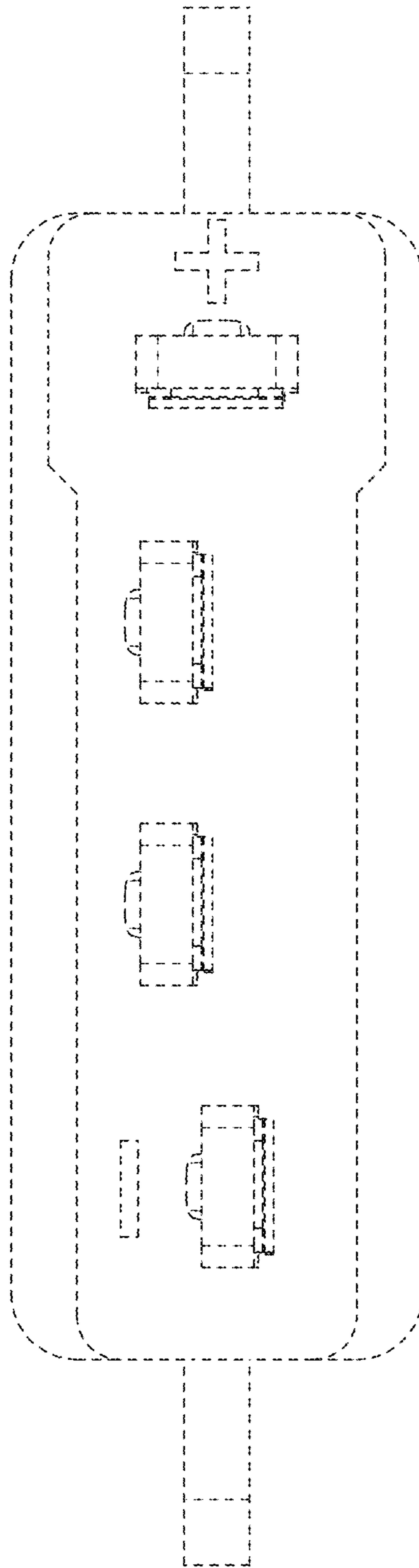


FIG. 7