



US00D777112S

(12) **United States Design Patent**  
**Watkins**

(10) **Patent No.:** **US D777,112 S**  
(45) **Date of Patent:** **\*\* Jan. 24, 2017**

- (54) **COAXIAL CABLE CONNECTOR**
- (71) Applicant: **PPC BROADBAND, INC.**, East  
Syracuse, NY (US)
- (72) Inventor: **Harold John Watkins**, Chittenango,  
NY (US)
- (73) Assignee: **PPC BROADBAND, INC.**, East  
Syracuse, NY (US)
- (\*\*) Term: **15 Years**
- (21) Appl. No.: **29/541,263**
- (22) Filed: **Oct. 1, 2015**
- (51) **LOC (10) Cl.** ..... **13-03**
- (52) **U.S. Cl.**  
USPC ..... **D13/151**
- (58) **Field of Classification Search**  
USPC ..... D13/133, 150, 151, 153, 154, 156, 184,  
D13/199; 439/578–585, 694, 695, 944;  
D8/356  
CPC ..... H01R 4/38; H01R 24/58  
See application file for complete search history.

D662,064	S *	6/2012	Natoli	.....	D13/151
D662,893	S *	7/2012	Haberek	.....	D13/151
2004/0038586	A1 *	2/2004	Hall	.....	H01R 13/6315 439/578
2005/0142938	A1 *	6/2005	Kao	.....	H01R 9/0524 439/578
2005/0282433	A1 *	12/2005	Pixley	.....	H01R 24/42 439/578
2012/0252268	A1 *	10/2012	Zraik	.....	H01R 13/622 439/584
2016/0156135	A1 *	6/2016	Burris	.....	H01R 9/0521 439/578

\* cited by examiner

*Primary Examiner* — Derrick Holland  
*Assistant Examiner* — Jennifer O King  
(74) *Attorney, Agent, or Firm* — Oliff PLC

(56) **References Cited**

U.S. PATENT DOCUMENTS

D210,209	S *	2/1968	Fischer	.....	D10/104.1
D296,779	S *	7/1988	Watson	.....	D13/156
D331,567	S *	12/1992	Braga	.....	D13/156
D368,250	S *	3/1996	Castaldo	.....	D13/156
D432,088	S *	10/2000	Malak	.....	D13/154
6,530,808	B1 *	3/2003	Hosler, Sr.	.....	H01R 9/0518 439/578
D501,649	S *	2/2005	Yang	.....	D13/133

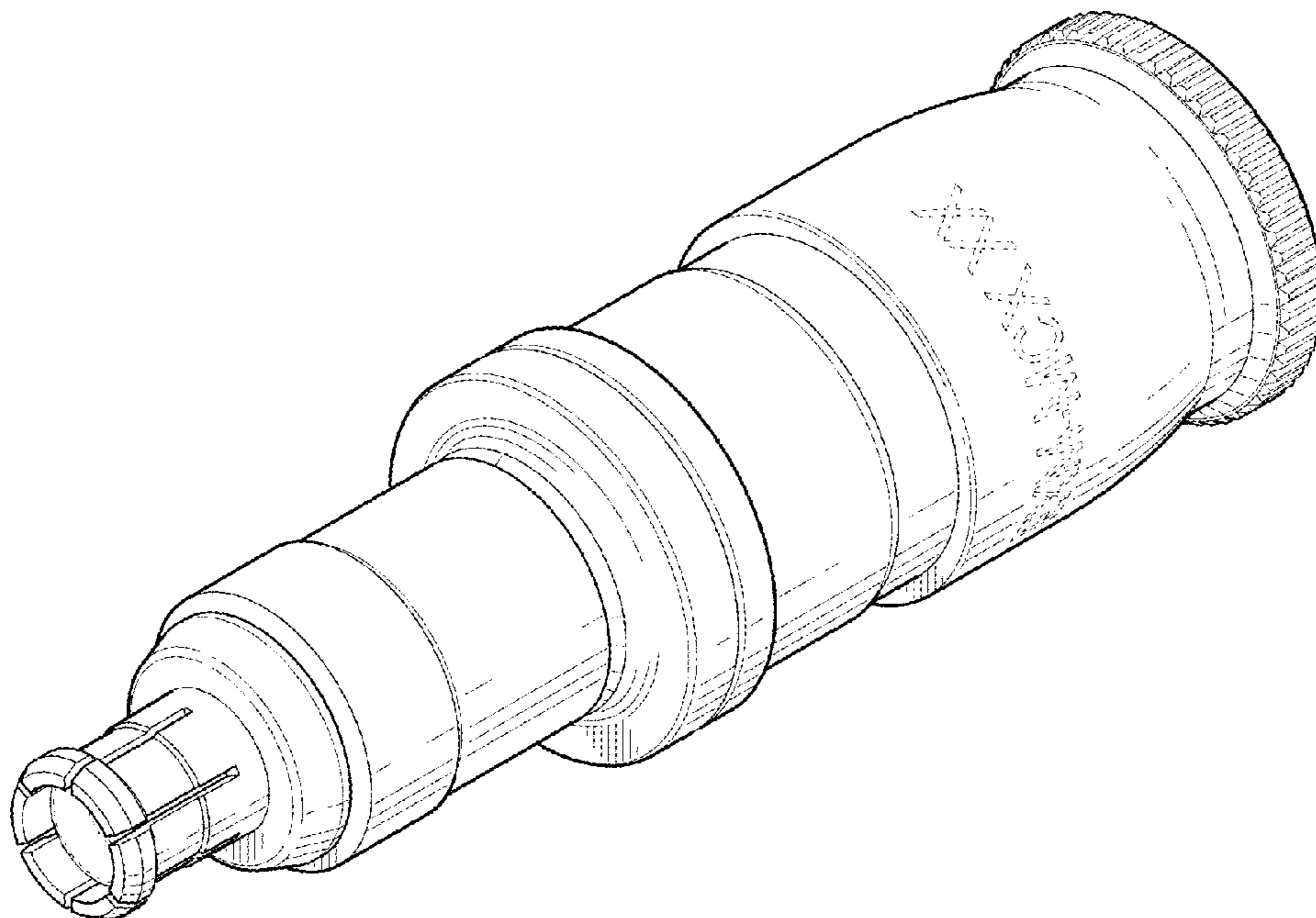
(57) **CLAIM**

The ornamental design for a coaxial cable connector, as shown and described.

**DESCRIPTION**

FIG. 1 is a front, right-side, top perspective view of a coaxial cable connector, the front, left-side, bottom perspective view being identical thereto;  
FIG. 2 is a right-side elevational view thereof, the left-side elevational view being identical thereto;  
FIG. 3 is a front elevational view thereof; and,  
FIG. 4 is a rear elevational view thereof.  
The broken lines depict environmental subject matter only and form no part of the claimed design.

**1 Claim, 2 Drawing Sheets**



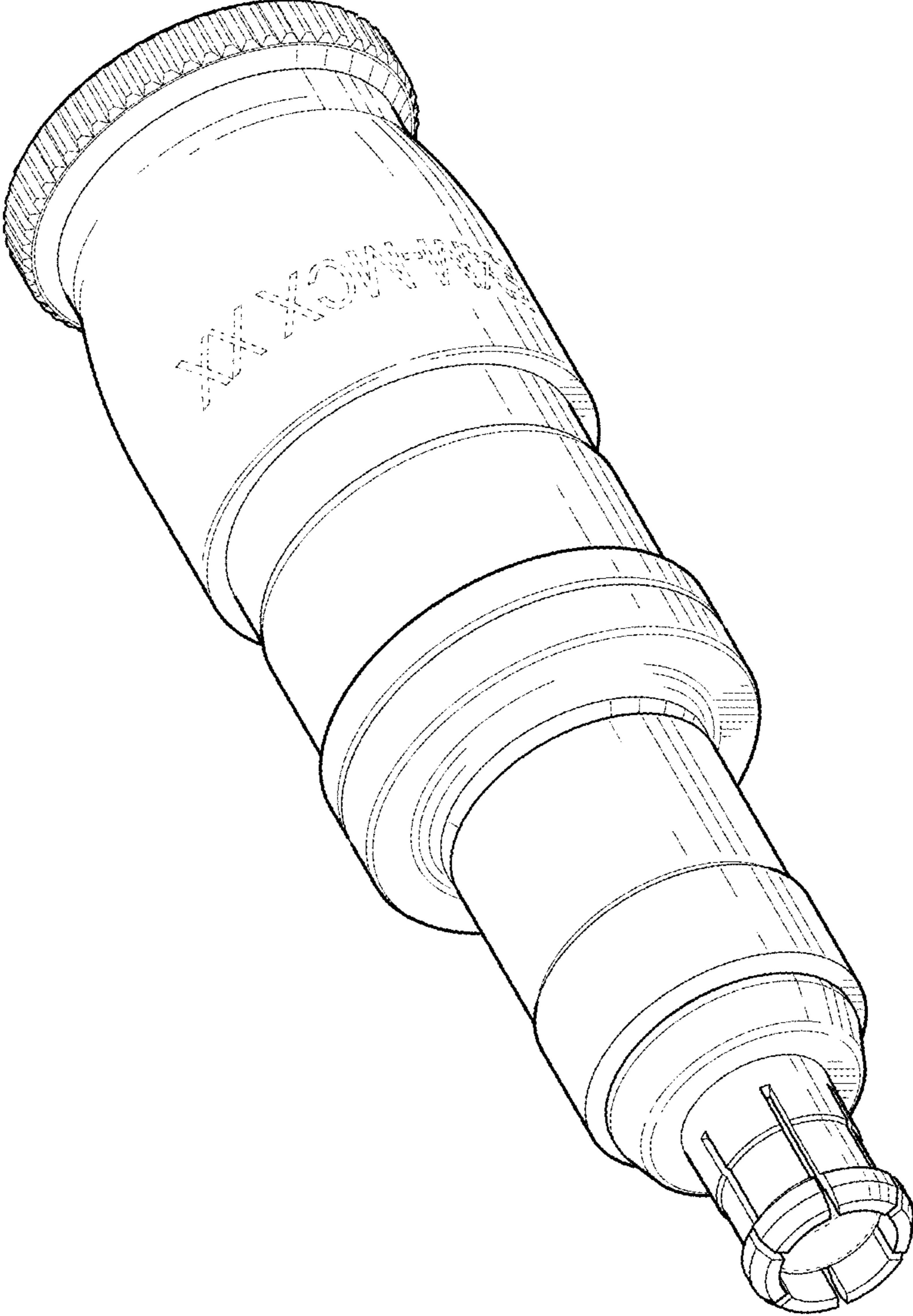


FIG. 1

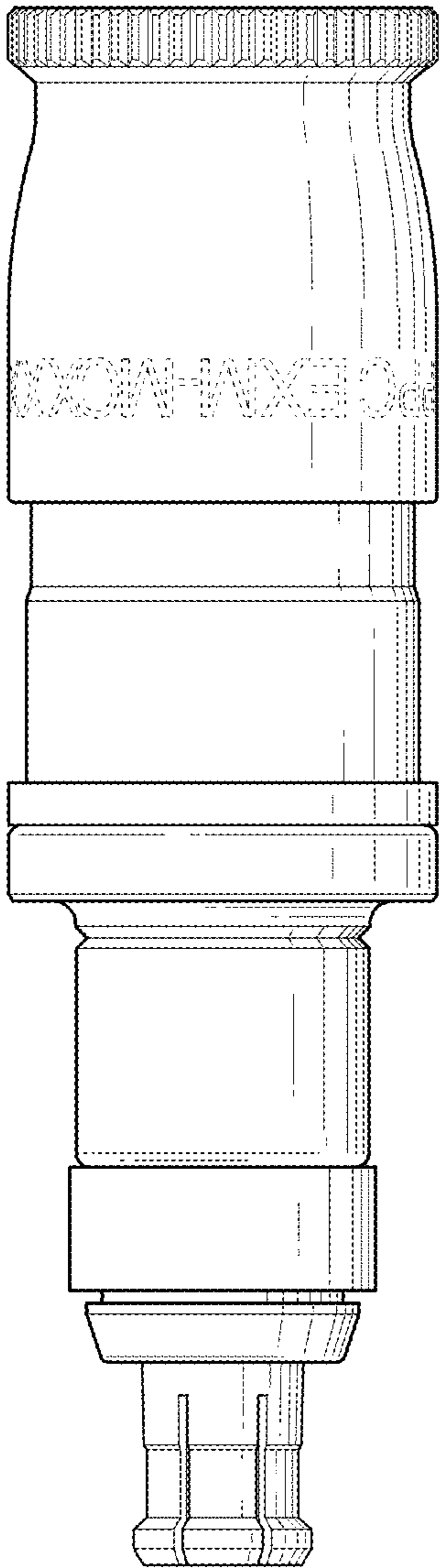


FIG. 2

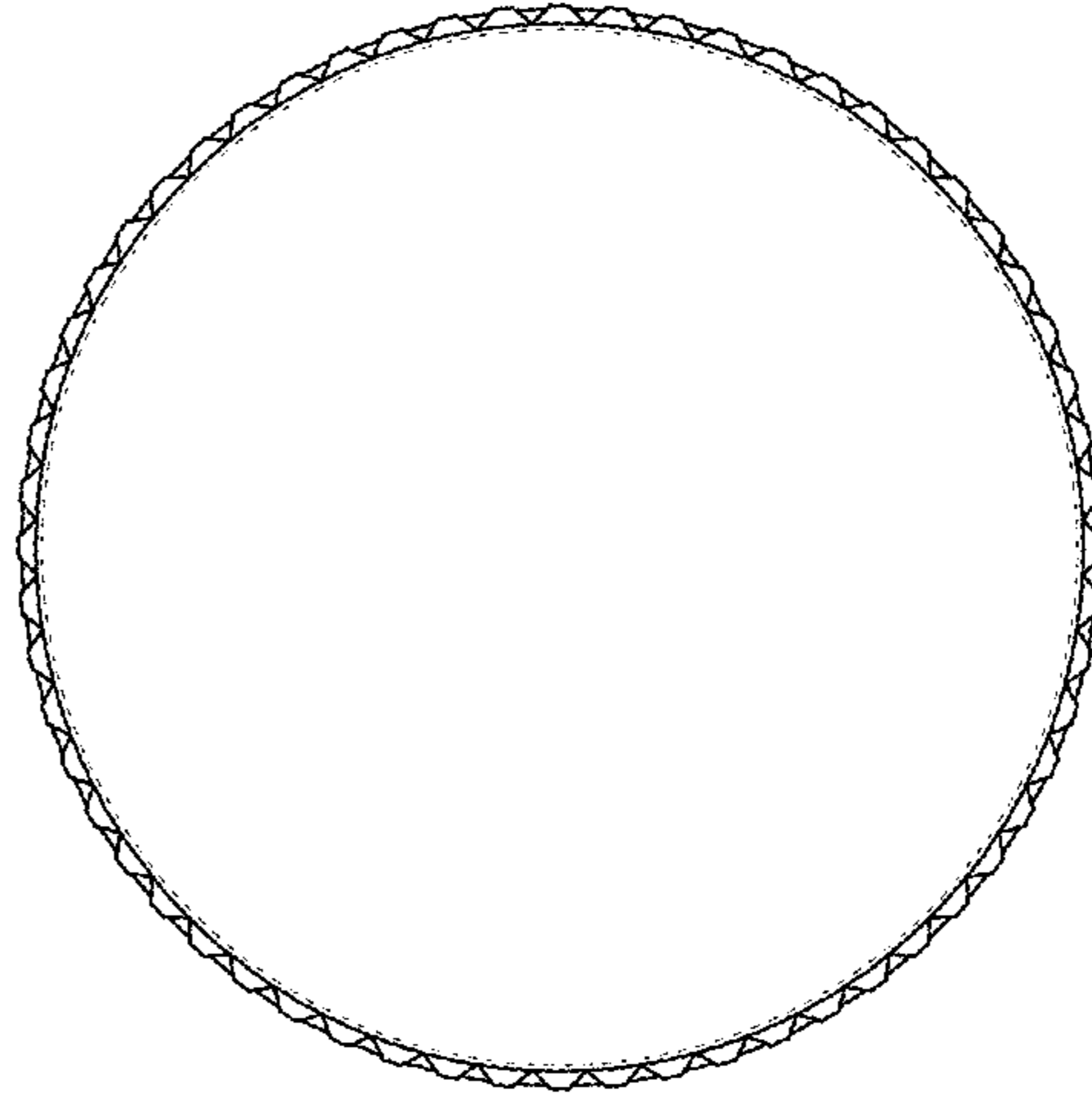


FIG. 4

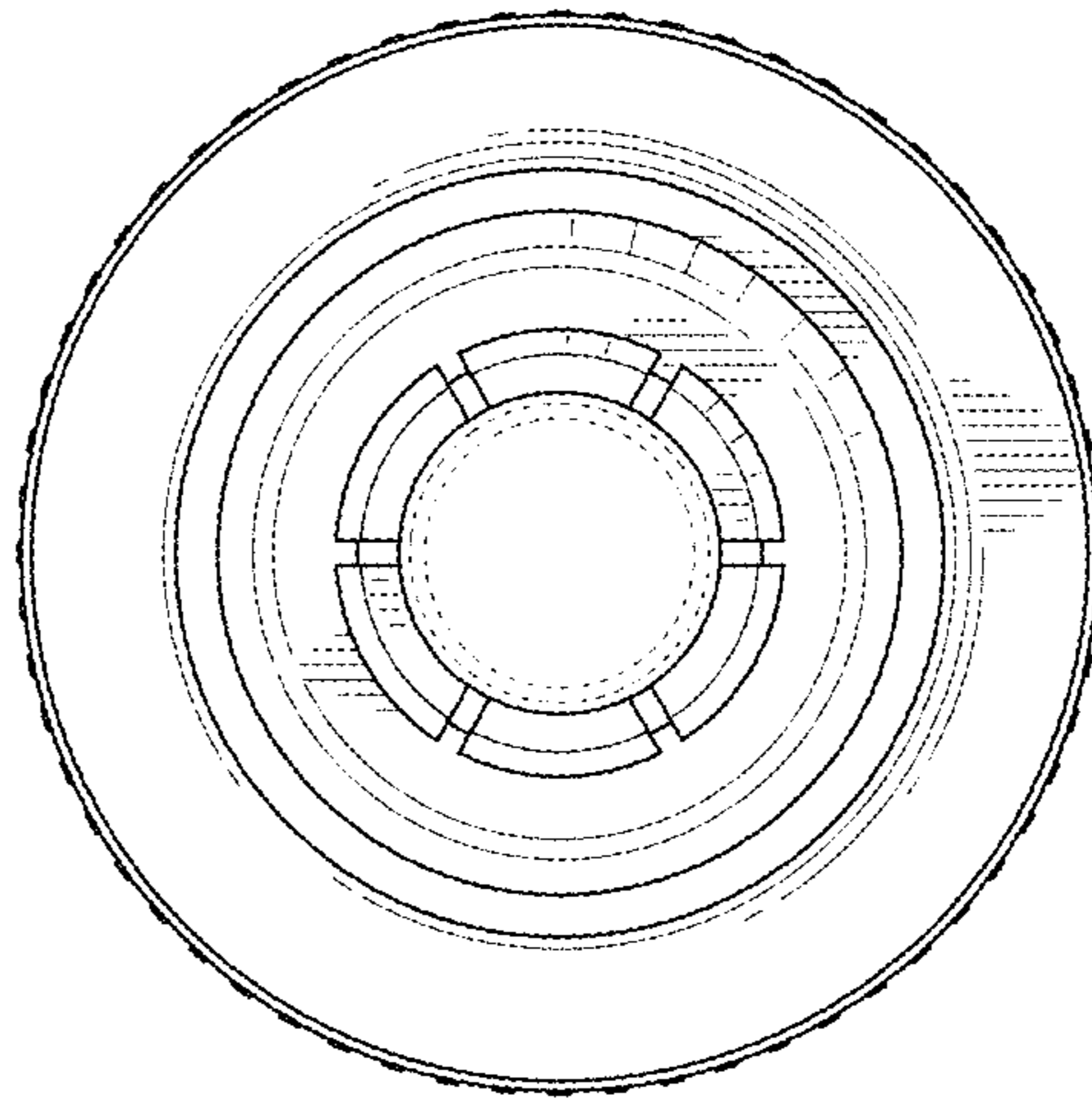


FIG. 3