



US00D777111S

(12) **United States Design Patent**  
**Zantout et al.**

(10) **Patent No.:** **US D777,111 S**  
(45) **Date of Patent:** **\*\* Jan. 24, 2017**

- (54) **WIRE CONNECTOR**
- (71) Applicant: **IDEAL Industries, Inc.**, Sycamore, IL (US)
- (72) Inventors: **Alan Emad Zantout**, Sycamore, IL (US); **Pryce Leroy McDaniel**, DeKalb, IL (US)
- (73) Assignee: **IDEAL Industries, Inc.**, Sycamore, IL (US)
- (\*\*) Term: **15 Years**
- (21) Appl. No.: **29/537,658**
- (22) Filed: **Aug. 27, 2015**
- (51) **LOC (10) Cl.** ..... **13-03**
- (52) **U.S. Cl.**  
USPC ..... **D13/150; D13/156**
- (58) **Field of Classification Search**  
USPC ..... D13/110, 120, 123, 133, 137.1, 139.1, D13/139.4, 150, 152, 154, 155, 156, 158, D13/162, 164, 173, 177, 184; D8/349-351, 353; 174/67, 66; D10/49; 439/147-149, 373, 391, 535, 536, 538  
CPC .... H05K 5/0013; H05K 5/006; H05K 5/0073; H05K 7/1417; H01R 4/24; Y10T 403/7171  
See application file for complete search history.

- 3,350,499 A \* 10/1967 Swanson ..... H01R 4/22 174/138 F
- D214,446 S \* 6/1969 Oprins ..... D13/150
- 4,350,841 A \* 9/1982 Scott ..... H01R 4/22 174/87
- D310,969 S \* 10/1990 Butler ..... D9/453
- D330,011 S \* 10/1992 Miller ..... D13/150
- D379,348 S \* 5/1997 Korinek ..... D13/150
- 6,677,530 B2 \* 1/2004 Blaha ..... H01R 13/5025 174/84 R
- D523,821 S \* 6/2006 Michaud ..... D13/156
- D537,416 S \* 2/2007 Fortin ..... D13/156
- D577,685 S \* 9/2008 King, Jr. .... D13/156
- D578,078 S \* 10/2008 Keeven ..... D13/156
- D597,034 S \* 7/2009 Hiner ..... D13/156
- 8,212,147 B2 \* 7/2012 Rhea ..... H01R 4/22 174/87
- 8,525,026 B1 \* 9/2013 Rhea ..... H01R 4/22 174/87
- 9,391,388 B1 \* 7/2016 King, Jr. .... H01R 13/52

\* cited by examiner

*Primary Examiner* — Derrick Holland  
*Assistant Examiner* — Jennifer O King  
(74) *Attorney, Agent, or Firm* — Greenberg Traurig, LLP

(57) **CLAIM**

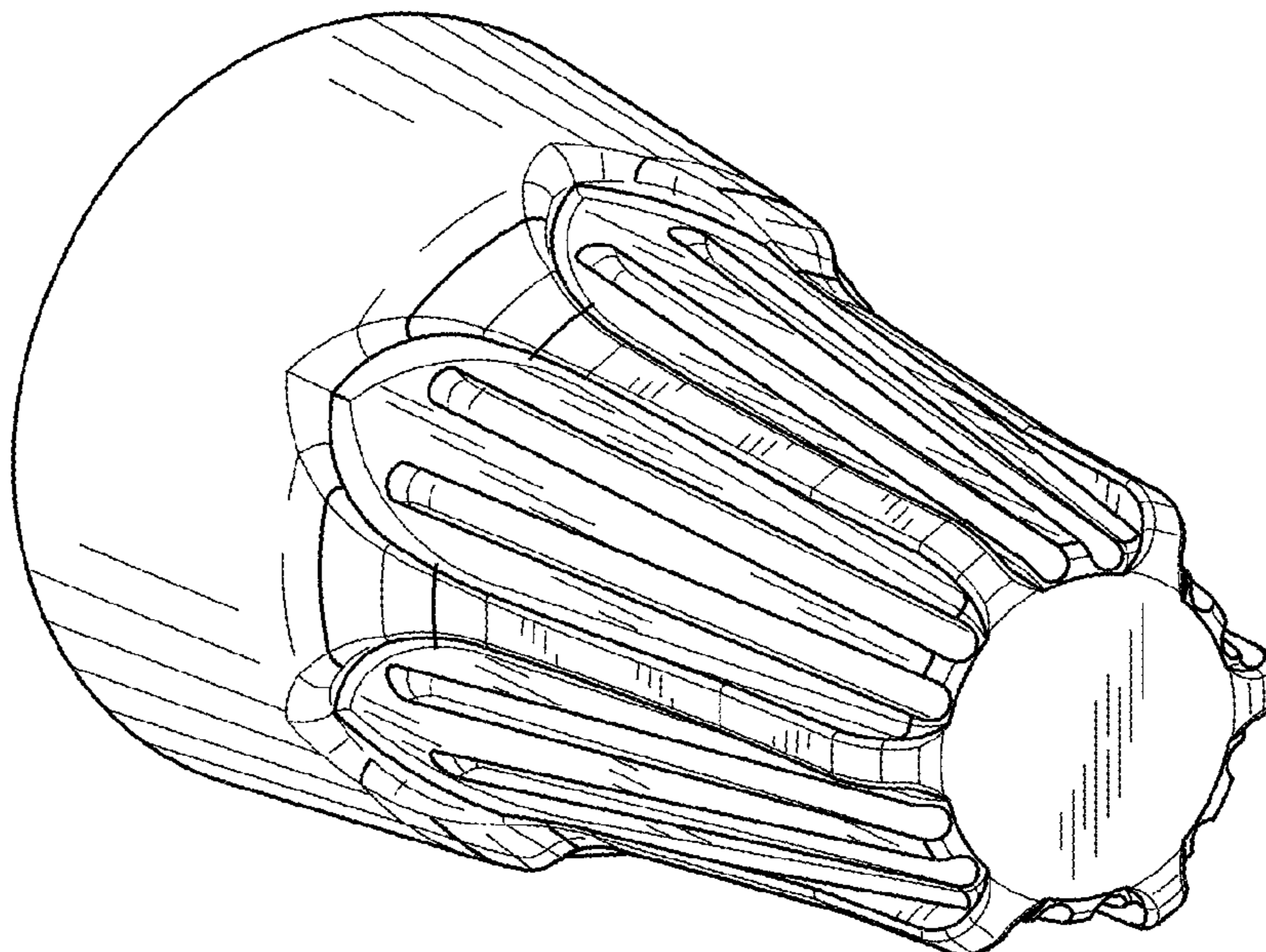
What is claimed is the ornamental design for a wire connector, as shown and described.

**DESCRIPTION**

FIG. 1 is a perspective view of a wire connector showing our new design;  
FIG. 2 is a reverse perspective view thereof;  
FIG. 3 is a top plan view thereof;  
FIG. 4 is a bottom plan view thereof;  
FIG. 5 is a first side elevational view thereof; and,  
FIG. 6 is a second side elevational view thereof.

**1 Claim, 3 Drawing Sheets**

- (56) **References Cited**  
U.S. PATENT DOCUMENTS  
D127,509 S \* 5/1941 Sears et al. .... D13/120  
D155,174 S \* 9/1949 Martin ..... D13/156  
D196,112 S \* 8/1963 Esser ..... D13/150  
D200,538 S \* 3/1965 Esser ..... D13/150



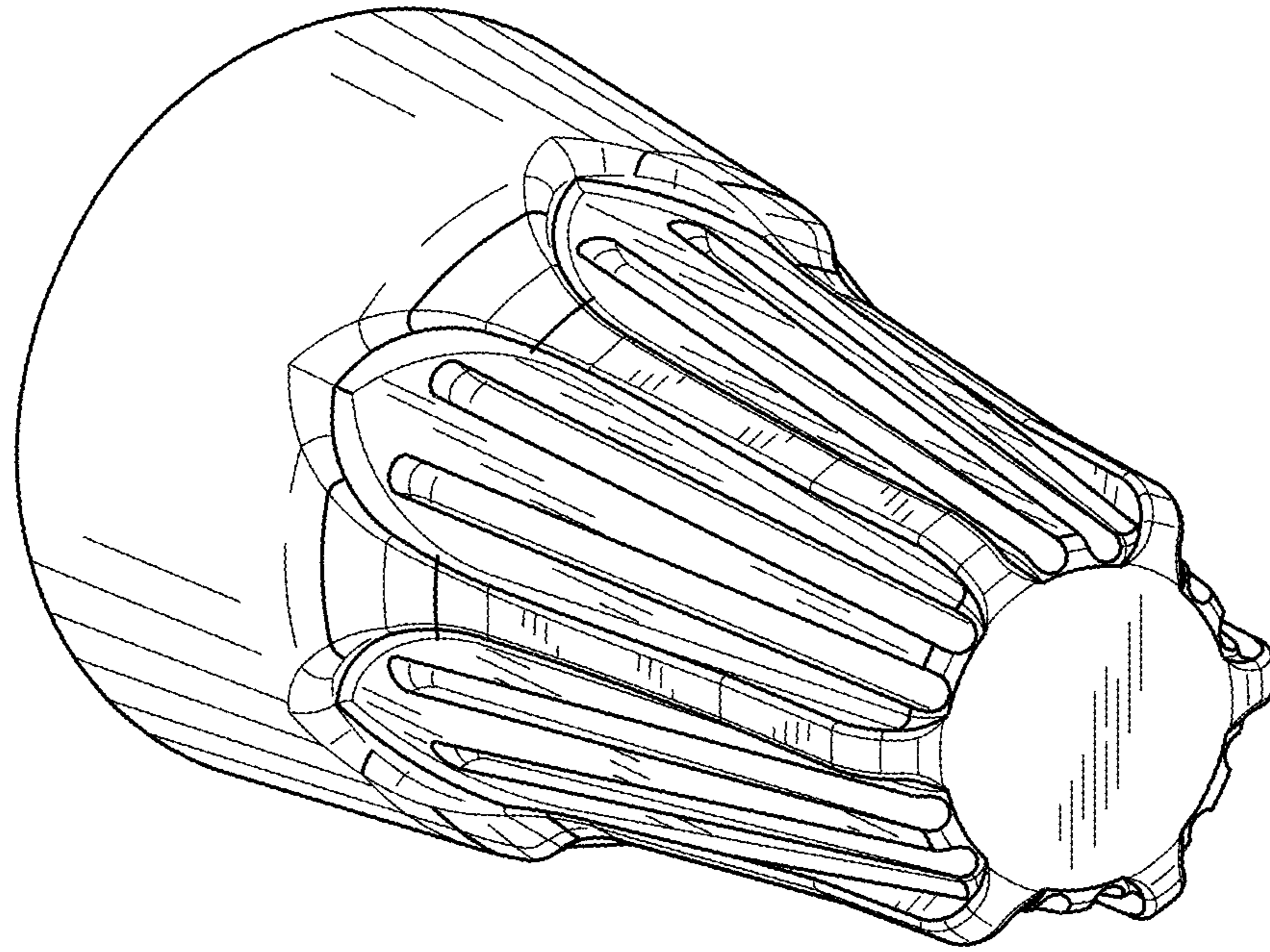


FIG. 1

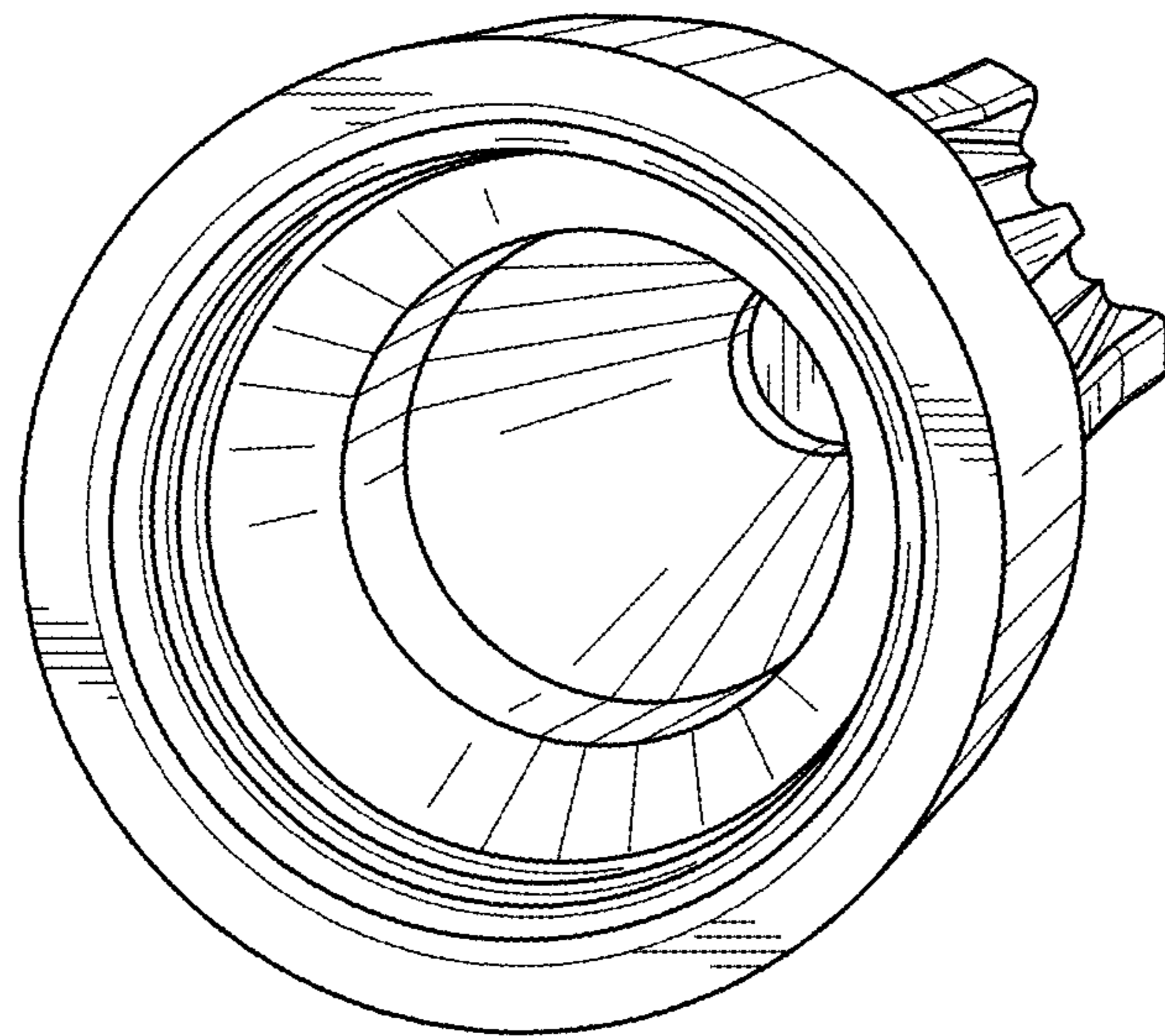


FIG. 2

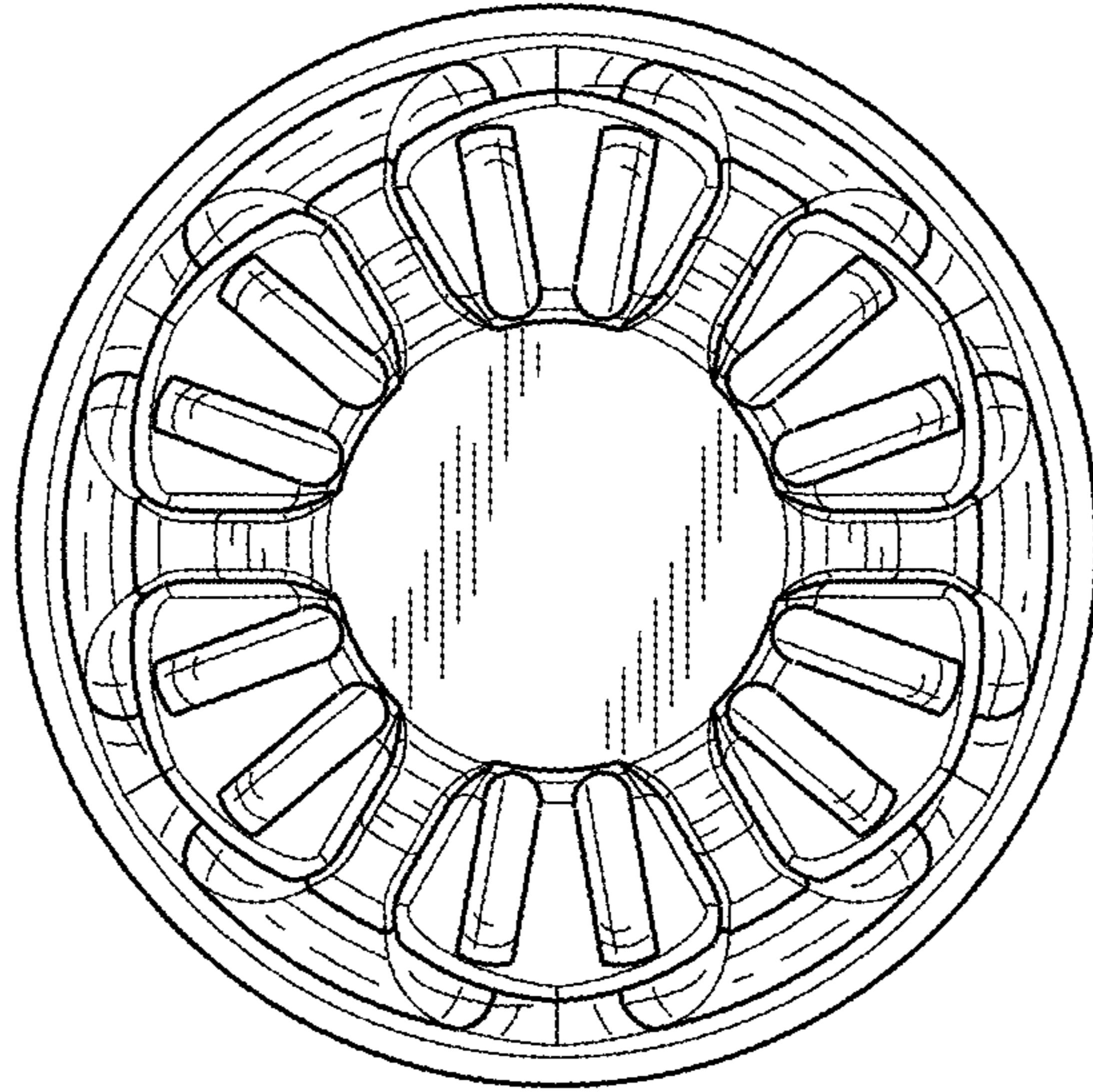


FIG. 3

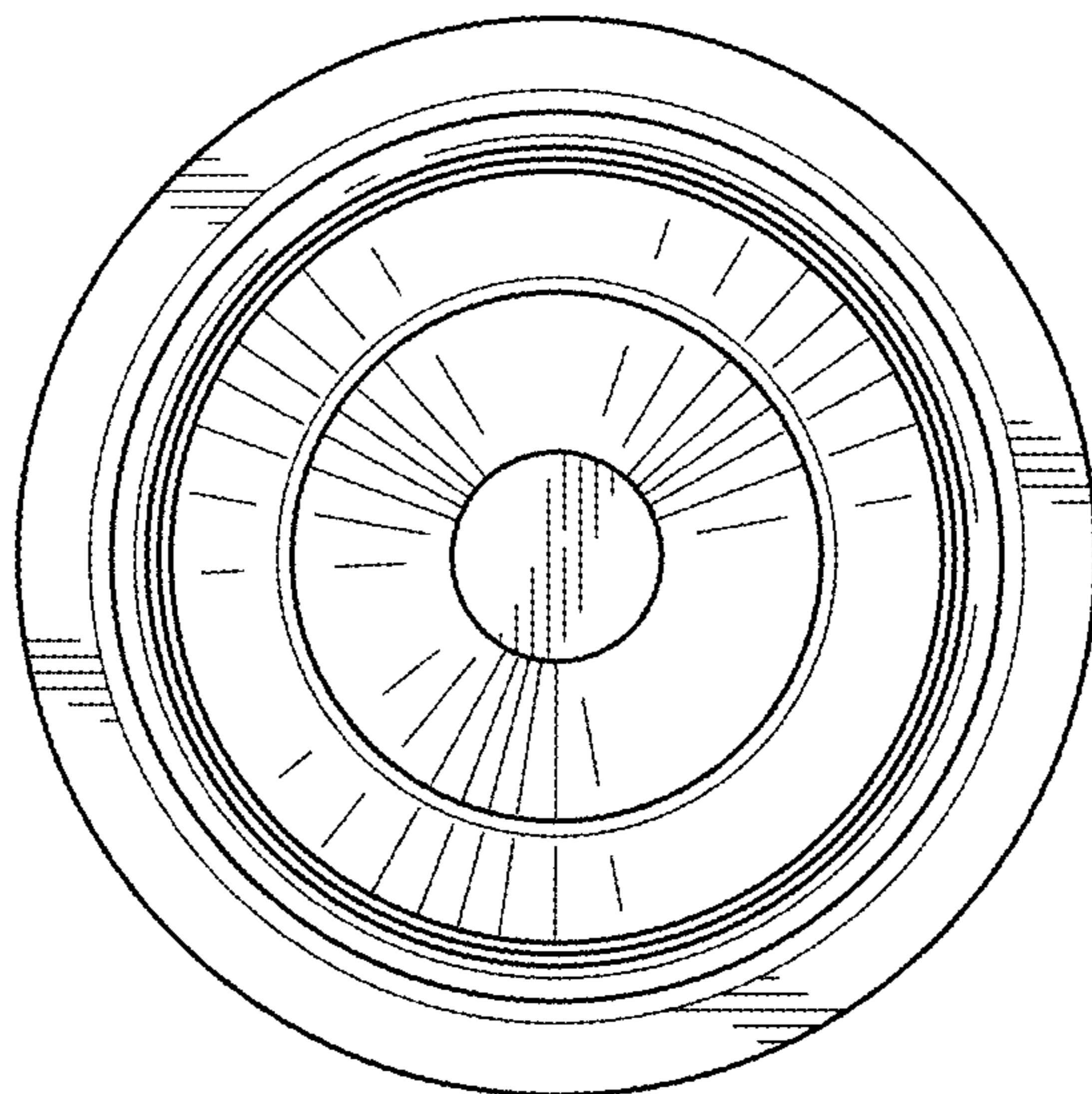


FIG. 4

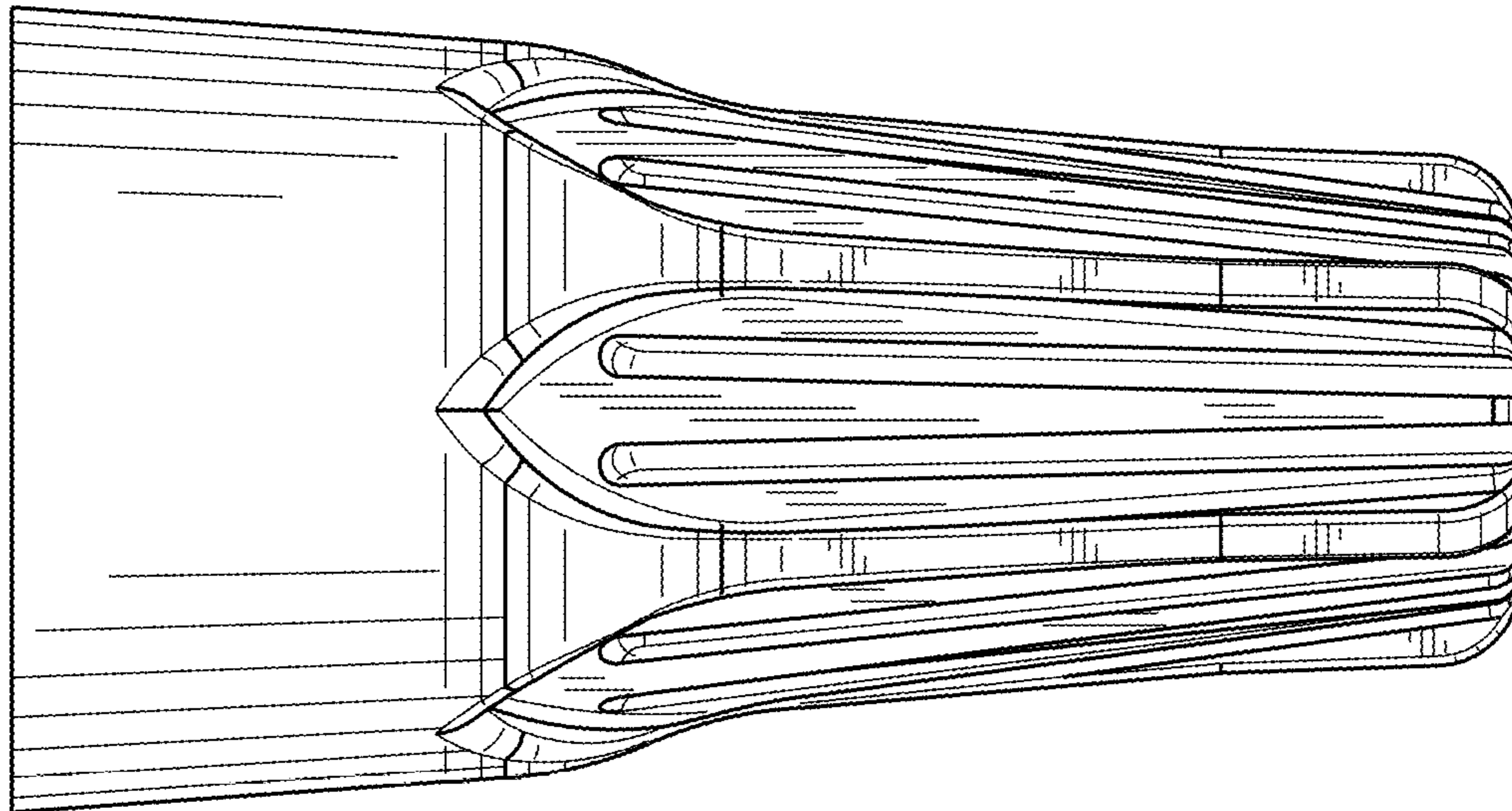


FIG. 5

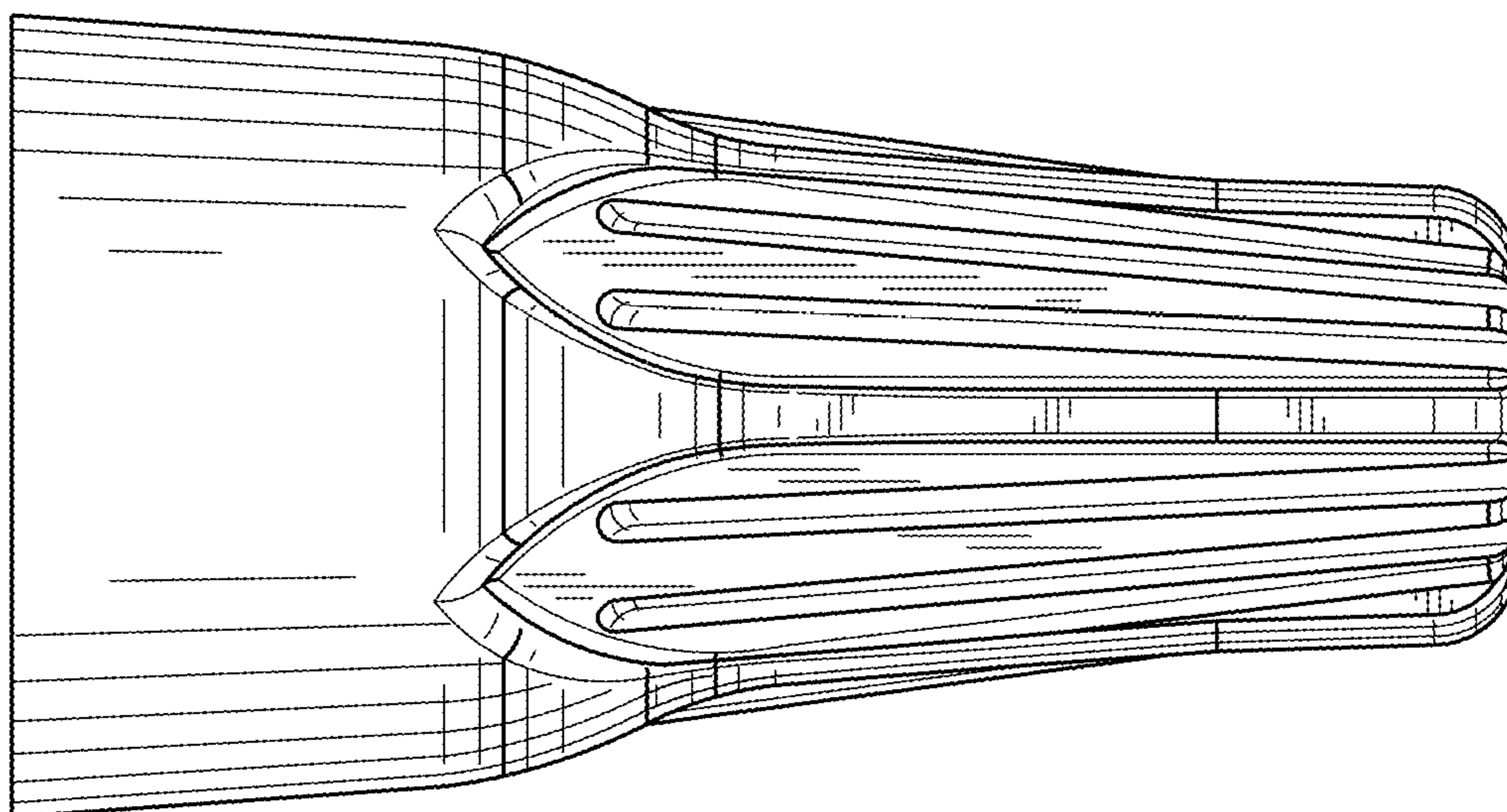


FIG. 6