



US00D777110S

(12) **United States Design Patent** (10) **Patent No.:** **US D777,110 S**
Ferretti et al. (45) **Date of Patent:** **** Jan. 24, 2017**

(54) **JUNCTION FOR A VACUUM CIRCUIT**

(71) Applicant: **MEDELA HOLDING AG**, Baar (CH)

(72) Inventors: **Federico Ferretti**, Cesena (IT);
Emanuele Teobaldo, Milan (IT); **Elisa Cucchetto**, Milan (IT); **Jennifer Ashman-Stauss**, Cincinnati, OH (US)

(73) Assignee: **MEDELA HOLDING AG**, Baar (CH)

(**) Term: **14 Years**

(21) Appl. No.: **29/523,678**

(22) Filed: **Apr. 13, 2015**

(51) **LOC (10) Cl.** **13-03**

(52) **U.S. Cl.**
USPC **D13/146**

(58) **Field of Classification Search**
USPC D13/123, 133, 146, 147, 154, 155, 156,
D13/184, 199

CPC ... H01R 13/2492; H01R 13/28; H01R 13/506;
H01R 13/5833; H01R 13/6335; H01R
13/637; H01R 13/6587; H01R 13/659;
H01R 13/6591; H01R 13/6594; H01R
13/6595; H01R 13/6597; H01R 13/665;
H01R 13/6658

See application file for complete search history.

(56) **References Cited**

U.S. PATENT DOCUMENTS

D438,510 S * 3/2001 Leen D13/146

D514,520 S * 2/2006 Bahramian D13/147
D535,029 S * 1/2007 McAtamney D24/167
D556,134 S * 11/2007 Lee D13/133
D612,333 S * 3/2010 Wu D13/139.1
8,273,057 B2 9/2012 Luzbetak et al.
9,106,217 B2* 8/2015 Jaussi H01R 13/6658

* cited by examiner

Primary Examiner — Daniel Bui

(74) *Attorney, Agent, or Firm* — Marshall, Gerstein & Borun LLP

(57) **CLAIM**

The ornamental design for a junction for a vacuum circuit and the like, as shown and described.

DESCRIPTION

FIG. 1 is a front, top and left side perspective view of a junction for a vacuum circuit showing our new design; FIG. 2 is a top plan view thereof; FIG. 3 is a front elevation view thereof; FIG. 4 is a left side elevation view thereof, the right side elevation view being identical to the left side; and, FIG. 5 is a bottom plan view thereof. The broken line in the figure drawing views are for illustrating the unclaimed environment only and forms no part of the claimed design.

1 Claim, 1 Drawing Sheet

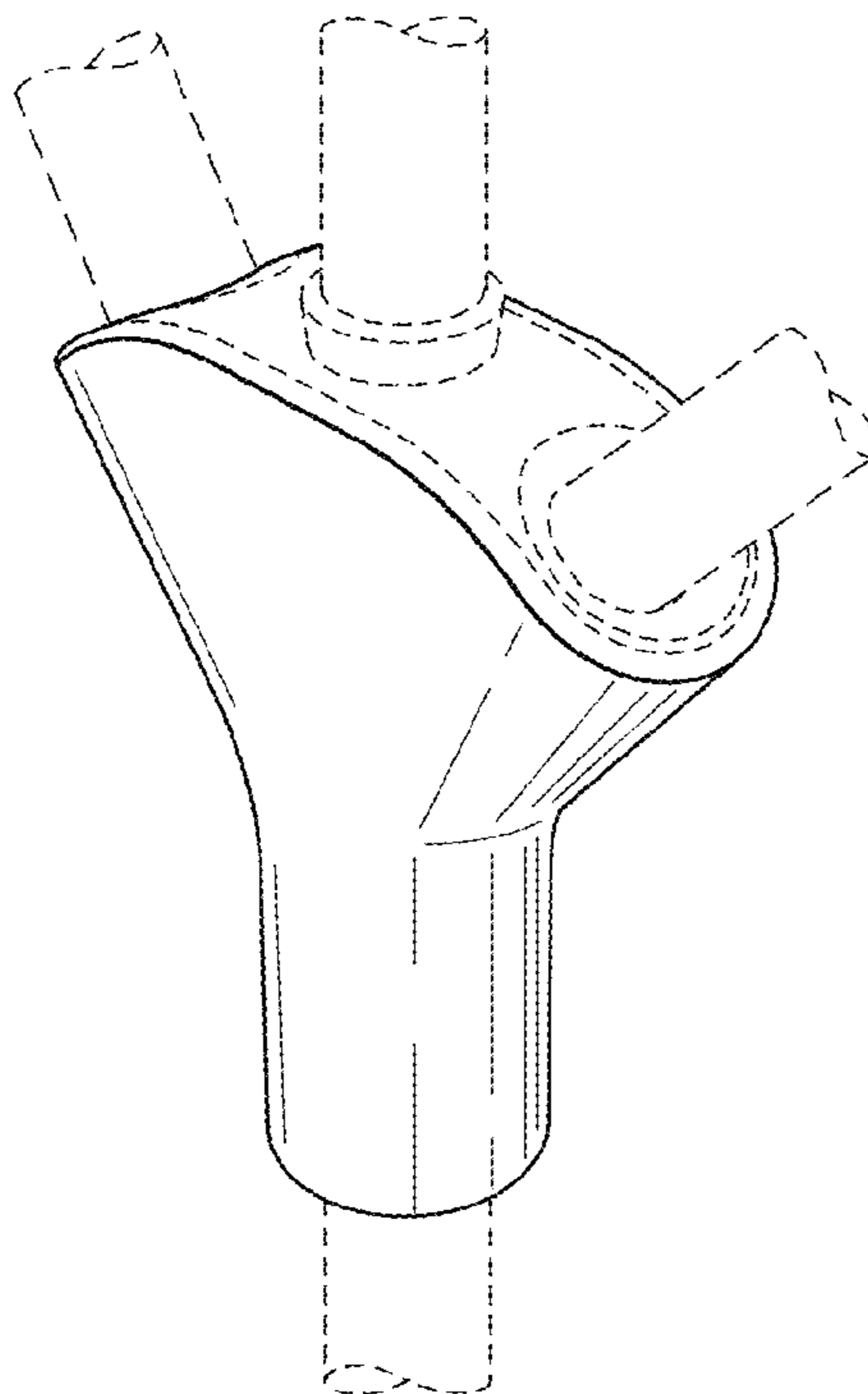


Fig. 2

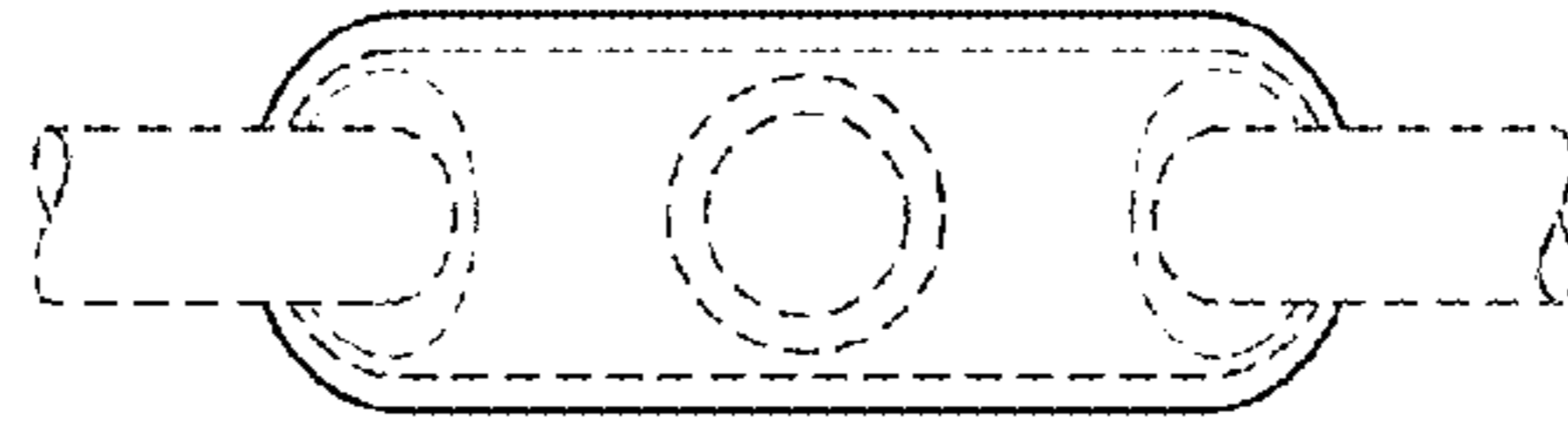


Fig. 1

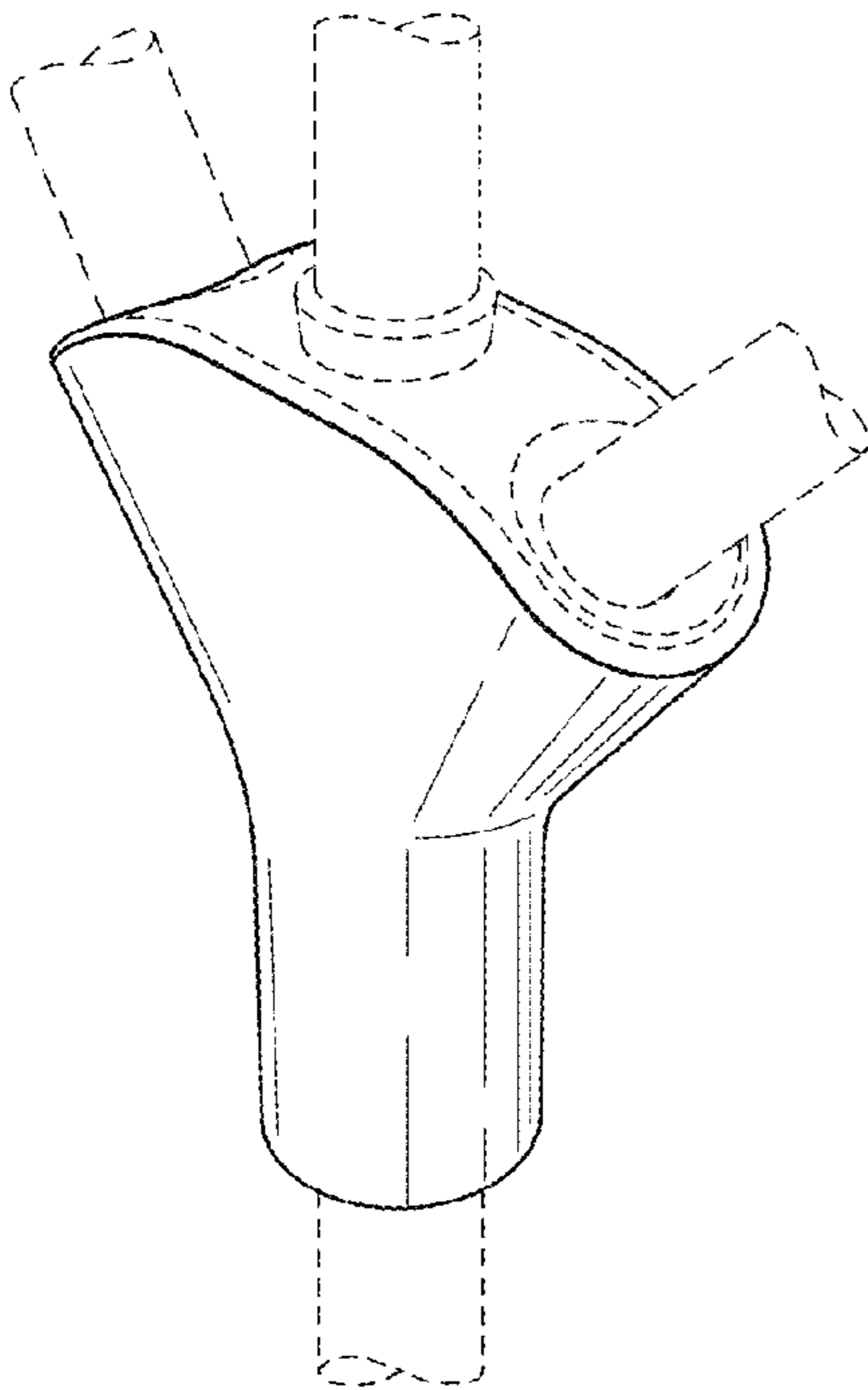


Fig. 3

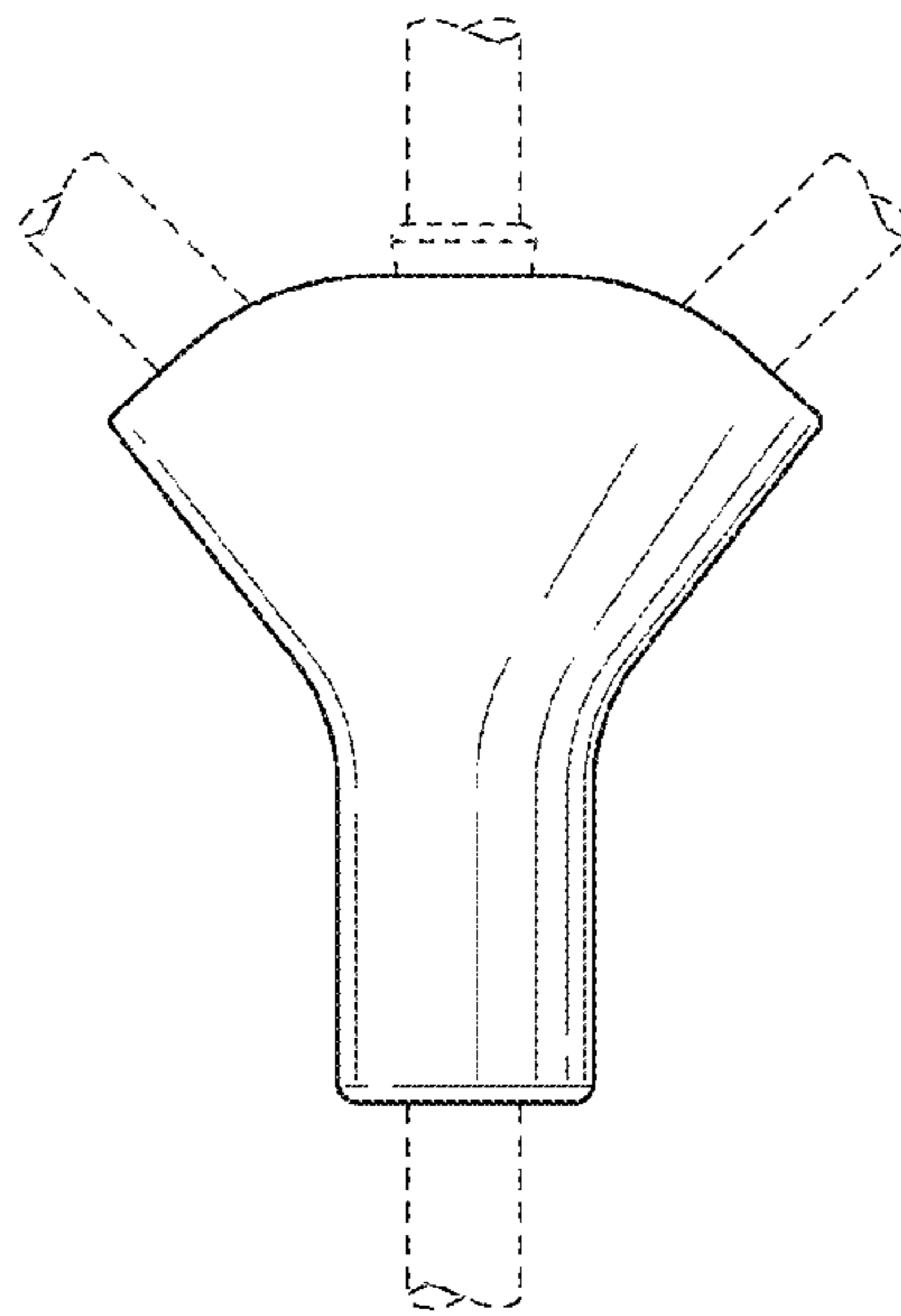


Fig. 4

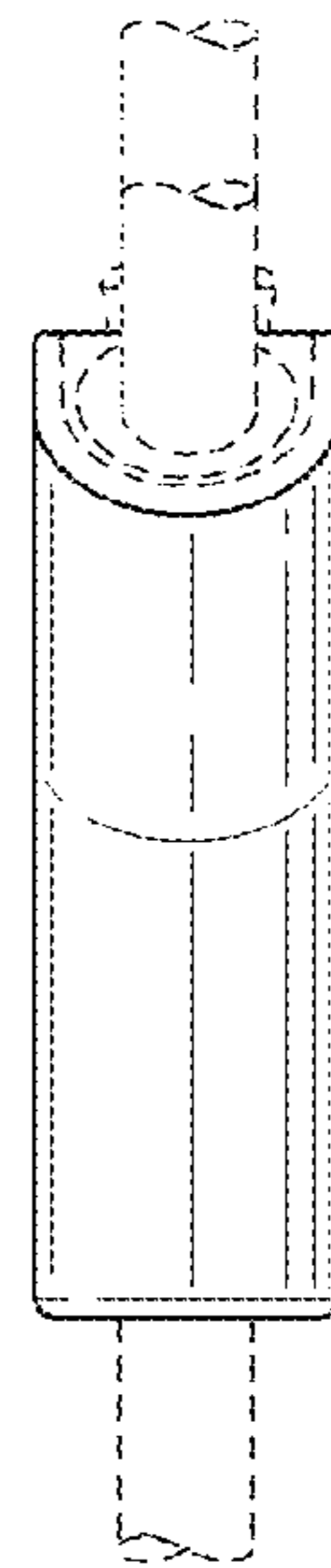


Fig. 5

