



US00D777109S

(12) **United States Design Patent**
Wu et al.

(10) **Patent No.:** **US D777,109 S**
(45) **Date of Patent:** **** Jan. 24, 2017**

(54) **WIRE CONNECTION TERMINAL CONTACT BLOCK**

D675,577 S * 2/2013 Dicaire D13/154
D690,658 S * 10/2013 Takahashi D13/154
D719,510 S * 12/2014 Selse D13/133

(71) Applicants: **SWITCHLAB INC.**, New Taipei (TW); **SWITCHLAB (SHANGHAI) CO., LTD.**, Shanghai (CN)

* cited by examiner

(72) Inventors: **Chih-Yuan Wu**, New Taipei (TW); **Wen-Bing Hsu**, New Taipei (TW)

Primary Examiner — Daniel Bui

(73) Assignees: **Switchlab Inc.**, New Taipei (TW); **Switchlab (Shanghai) Co., Ltd.**, Shanghai (CN)

(74) *Attorney, Agent, or Firm* — Rosenberg, Klein & Lee

(**) Term: **14 Years**

(21) Appl. No.: **29/519,620**

(22) Filed: **Mar. 6, 2015**

(30) **Foreign Application Priority Data**

Sep. 10, 2014 (CN) 2014 3 0332083

(51) **LOC (10) Cl.** **13-03**

(52) **U.S. Cl.**
USPC **D13/146**

(58) **Field of Classification Search**
USPC D13/133, 146, 147, 154, 184, 199
CPC H01R 9/00; H01R 12/00; H01R 13/00
See application file for complete search history.

(56) **References Cited**

U.S. PATENT DOCUMENTS

D562,239 S * 2/2008 Dold D13/133
D600,213 S * 9/2009 Inoue D13/133

(57) **CLAIM**

The ornamental design for a wire connection terminal contact block, shown and described.

DESCRIPTION

FIG. 1 is a front, top and right side perspective view of a wire connection terminal contact block showing our new design;

FIG. 2 is a front elevational view thereof;

FIG. 3 is a rear elevational view thereof;

FIG. 4 is a left side elevational view thereof;

FIG. 5 is a right side elevational view thereof;

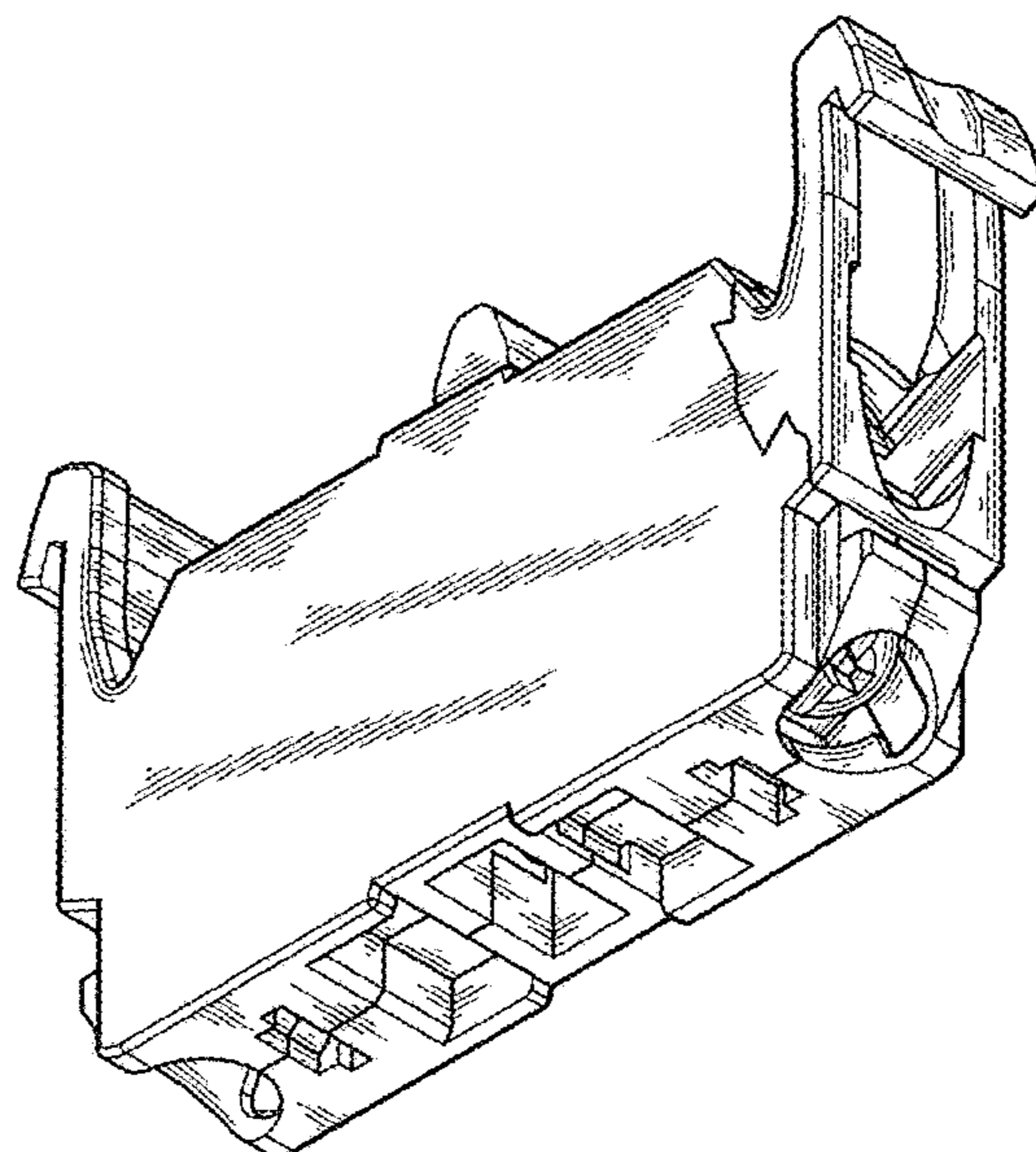
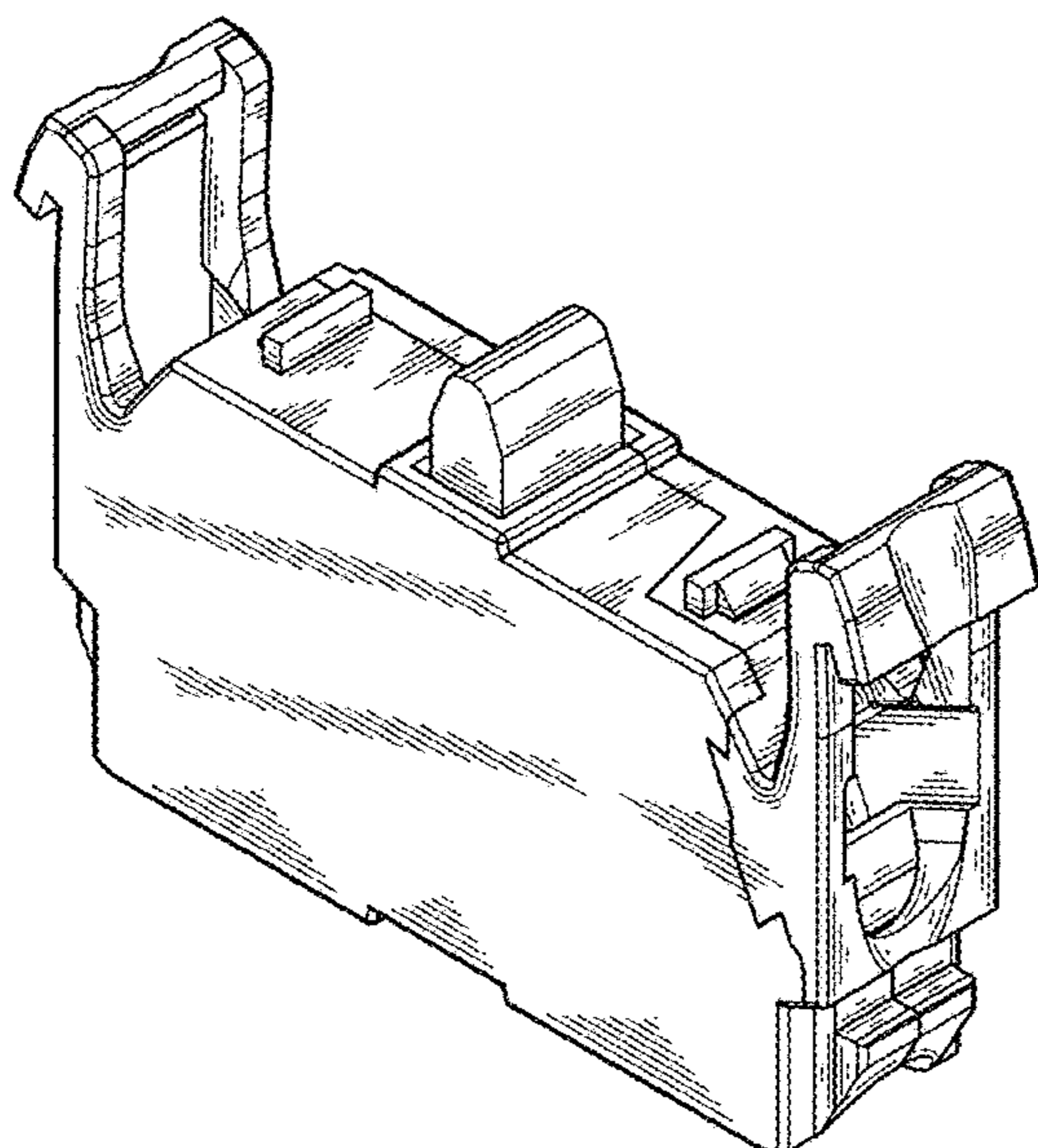
FIG. 6 is a top plan view thereof;

FIG. 7 is a bottom plan view thereof; and,

FIG. 8 is a front, bottom and right side perspective view thereof.

The broken lines in the drawing views represents unclaimed environment only, and forms no part of the claimed design.

1 Claim, 8 Drawing Sheets



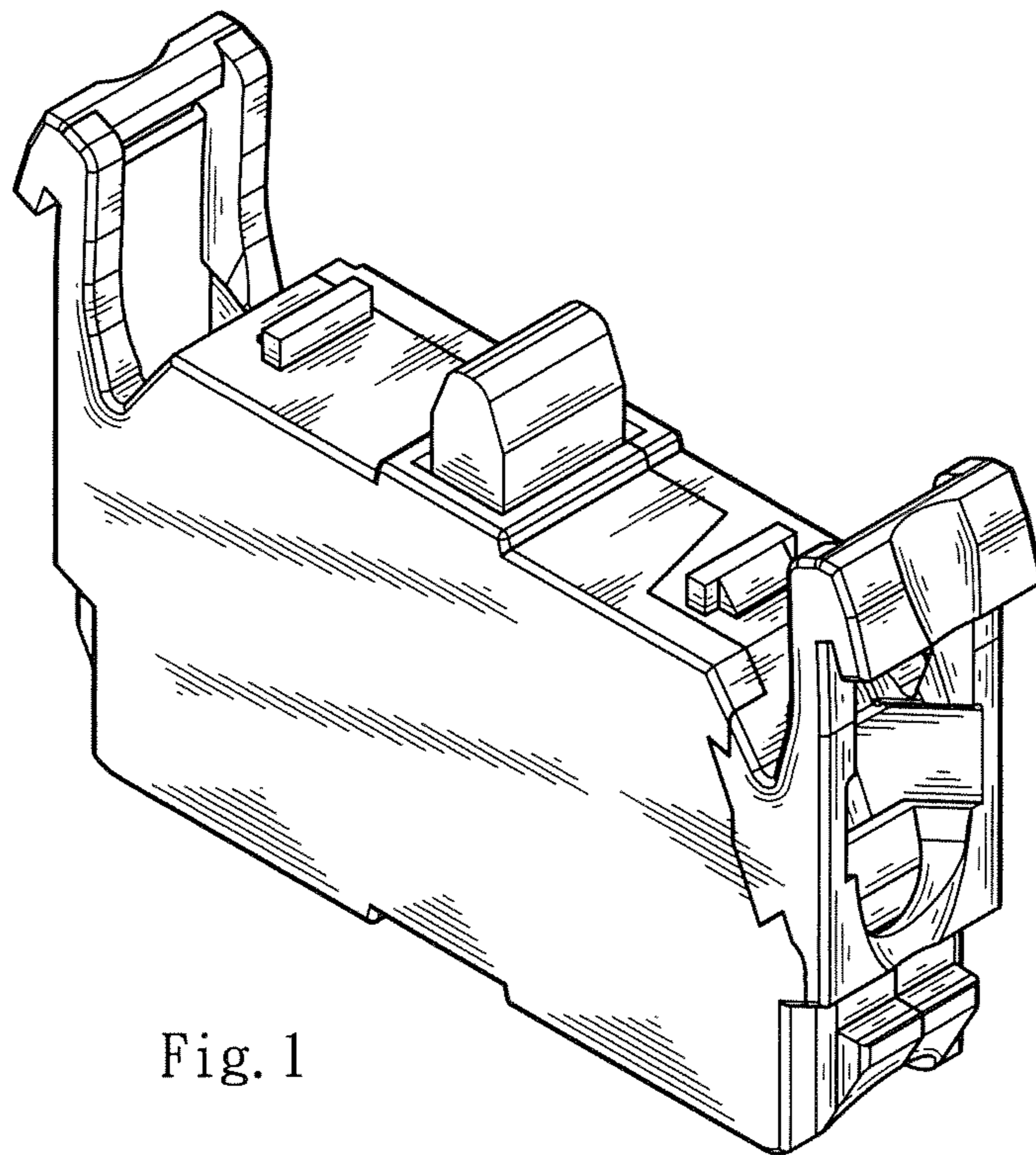


Fig. 1

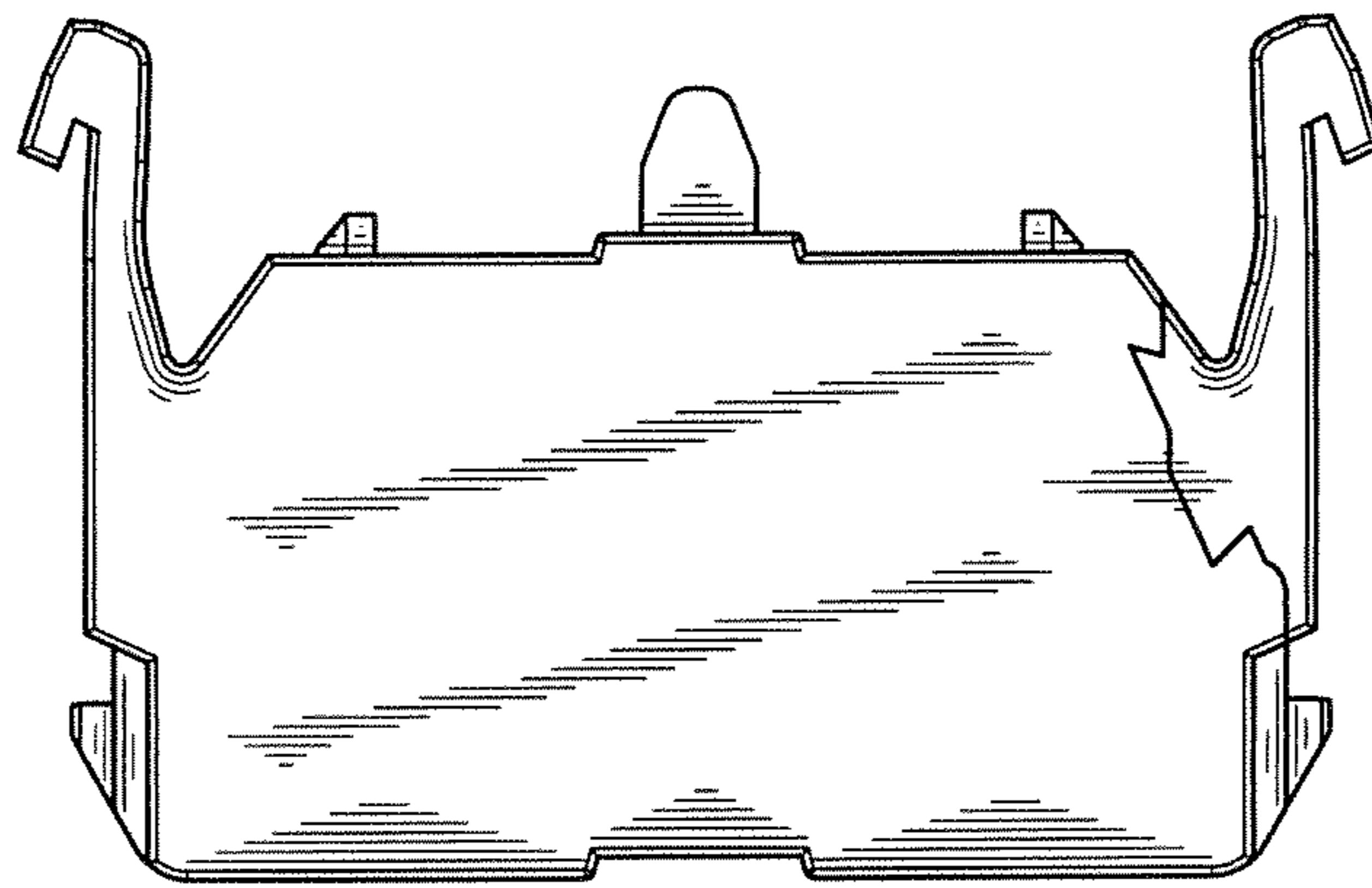


Fig. 2

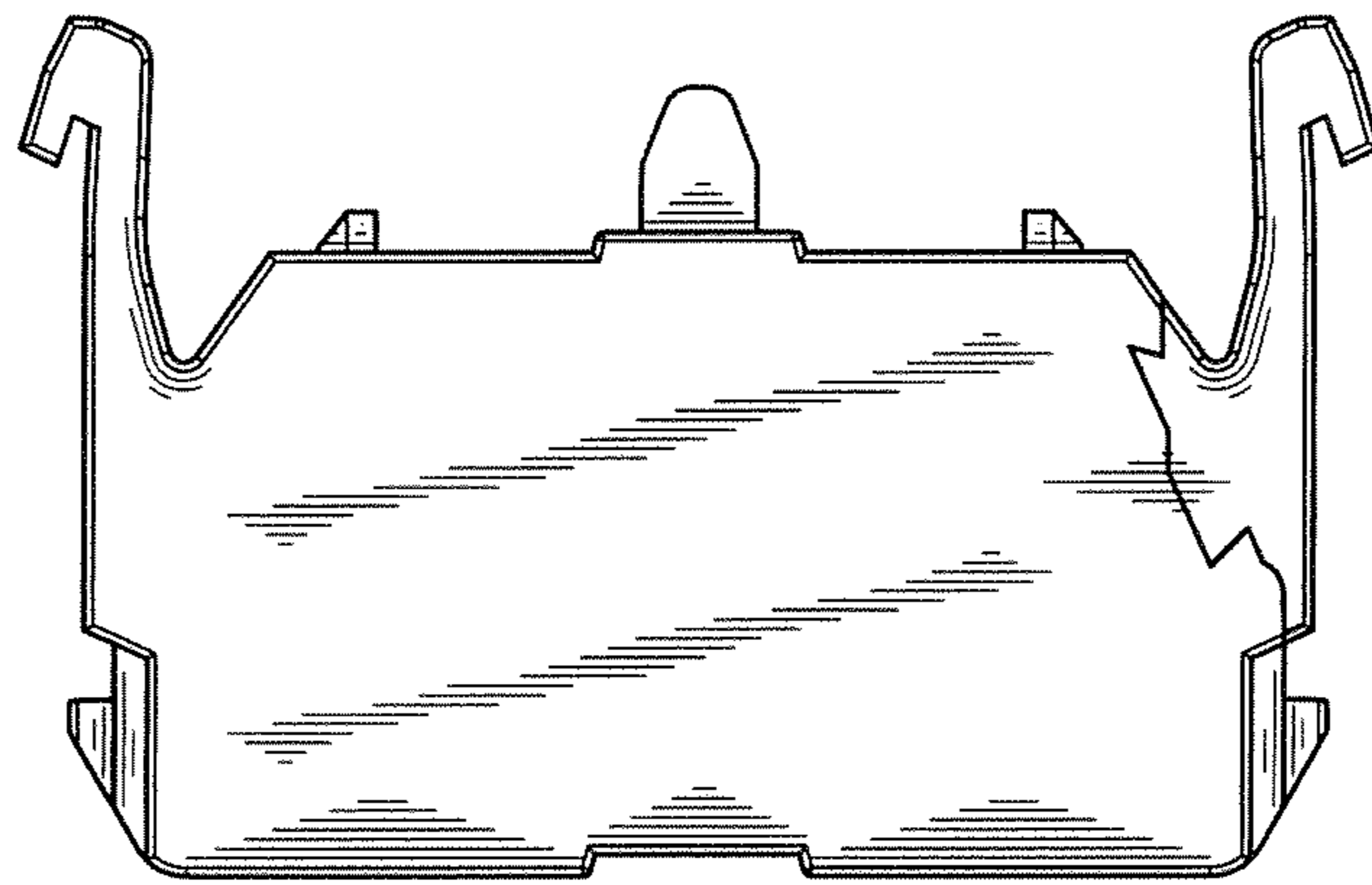


Fig. 3

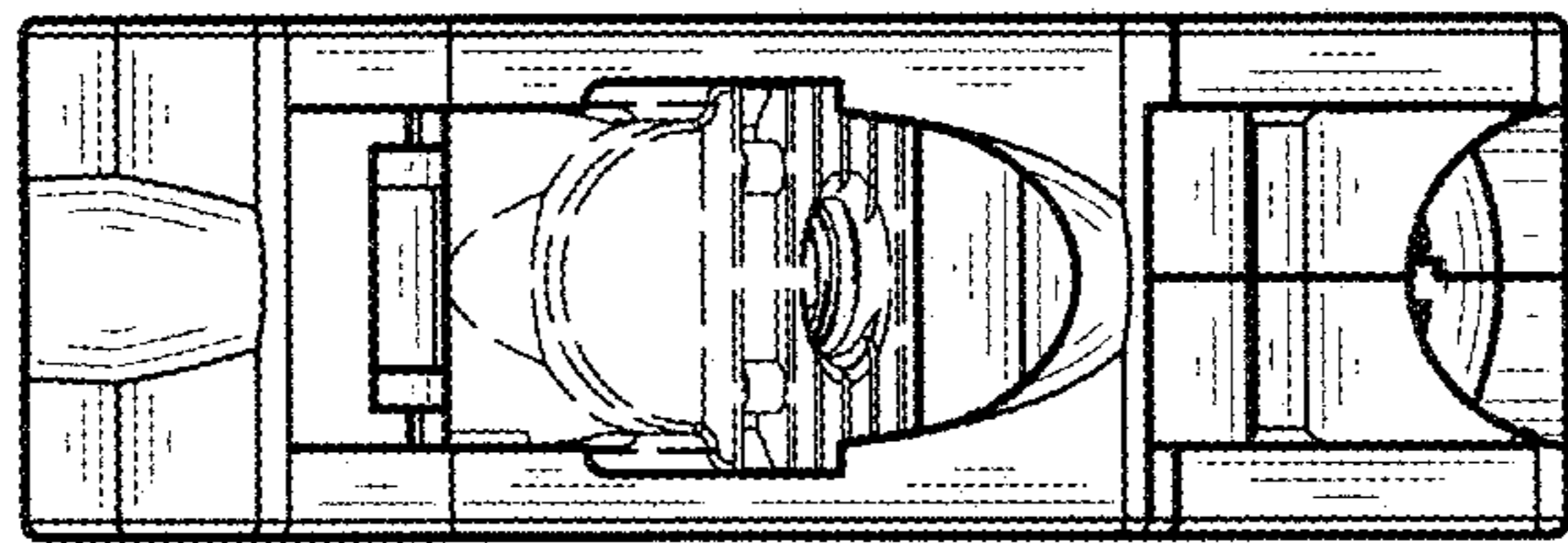


Fig. 4

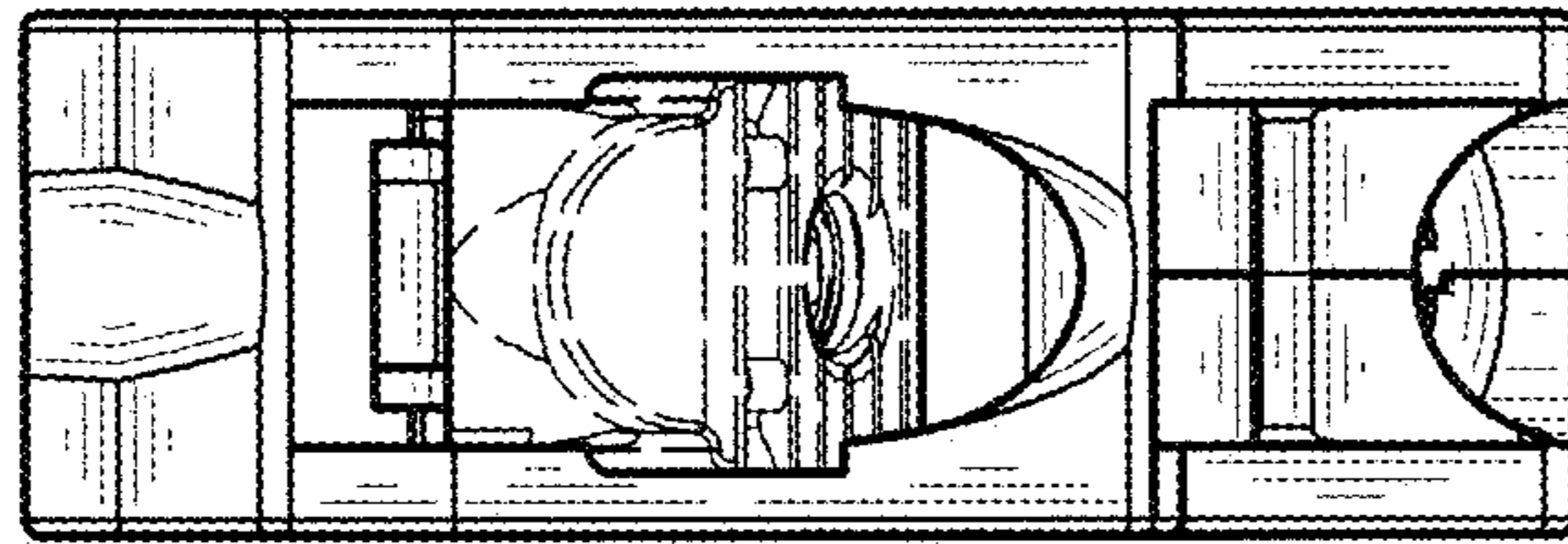


Fig. 5

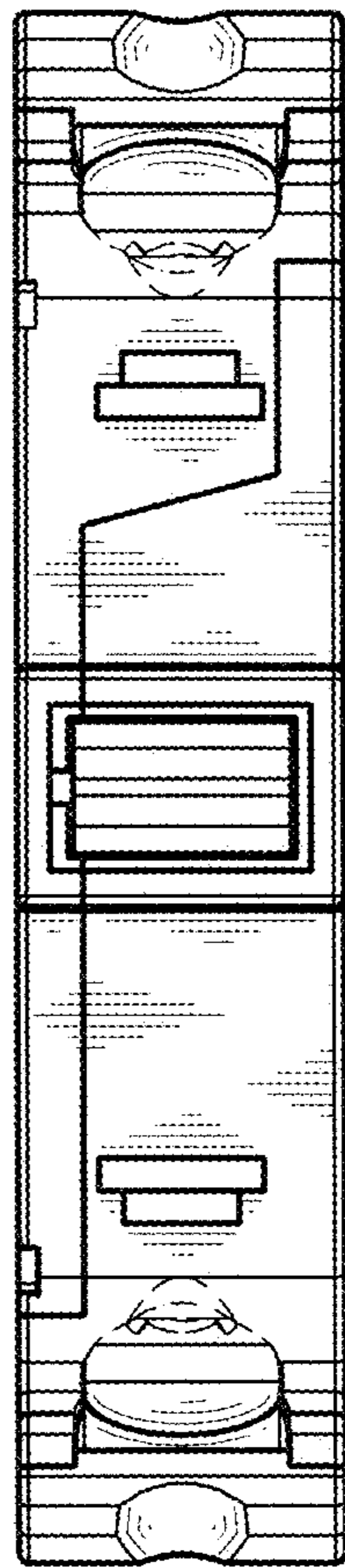


Fig. 6

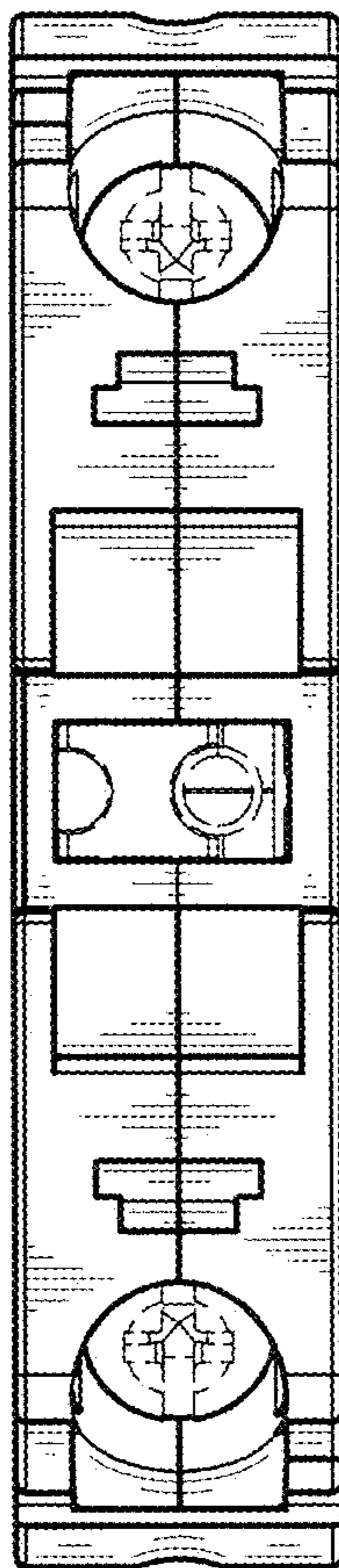


Fig. 7

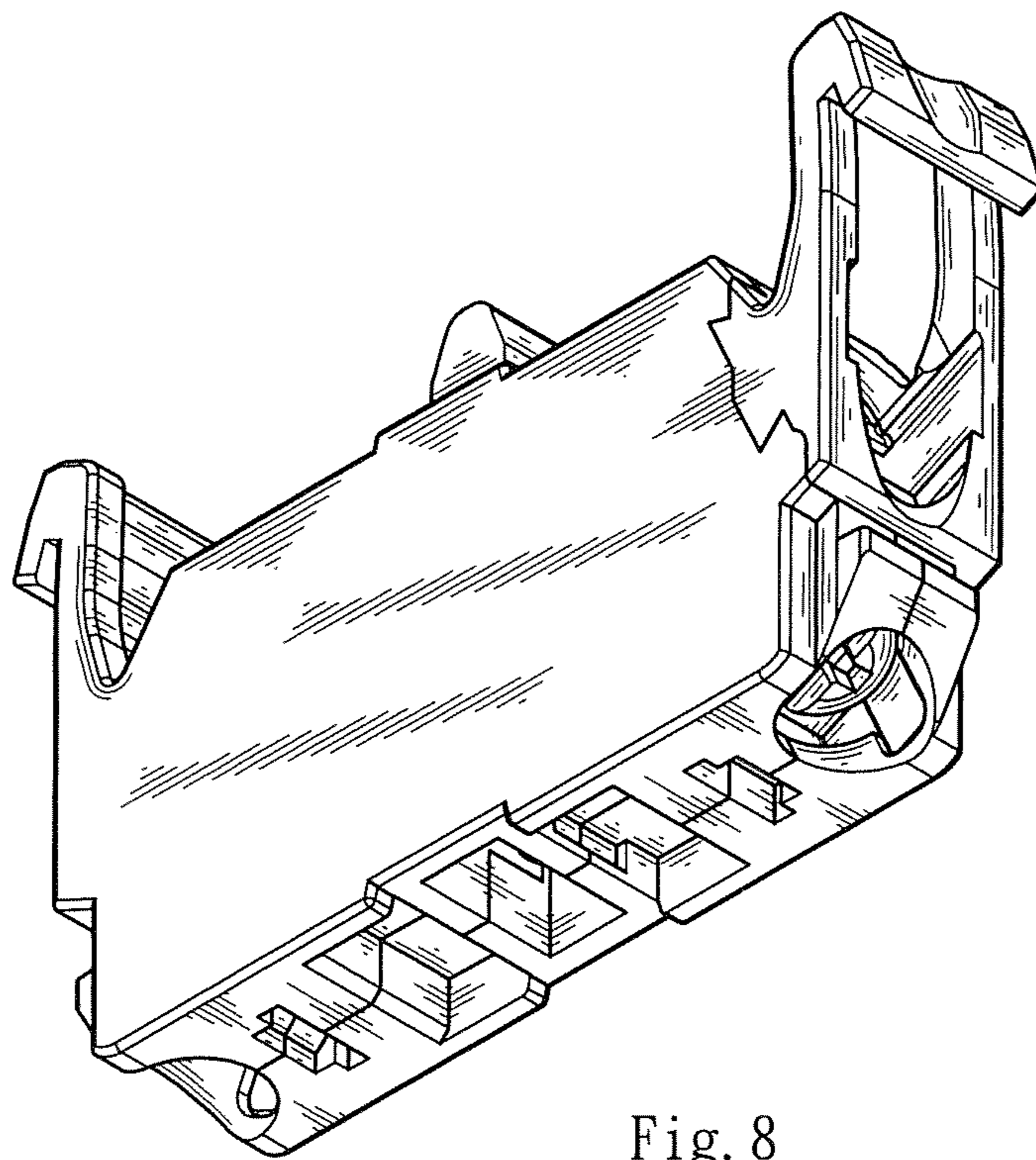


Fig. 8