



US00D777108S

(12) **United States Design Patent**
Mittermair et al.

(10) **Patent No.:** **US D777,108 S**
(45) **Date of Patent:** **** Jan. 24, 2017**

(54) **HOUSING FOR SPOOLS OF CABLES**

(71) Applicant: **FRONIUS INTERNATIONAL GMBH**, Pettenbach (AU)

(72) Inventors: **Micha Mittermair**, Pettenbach (AU);
Peter Oberroither, Wels (AU); **Kurt Blechinger**, Wels (AU)

(73) Assignee: **FRONIUS INTERNATIONAL GMBH**, Pettenbach (AT)

(**) Term: **14 Years**

(21) Appl. No.: **29/518,173**

(22) Filed: **Feb. 20, 2015**

(30) **Foreign Application Priority Data**

Aug. 22, 2014 (EM) 002523712-0001
Aug. 22, 2014 (EM) 002523712-0002
Aug. 22, 2014 (EM) 002523712-0003
Aug. 22, 2014 (EM) 002523712-0004

(51) **LOC (10) Cl.** **13-03**

(52) **U.S. Cl.**
USPC **D13/137.4**; D8/358

(58) **Field of Classification Search**
USPC D8/358, 356, 359, 45, 19, 16; D10/72;
D14/484; D22/140; D24/111, 137, 138;
D13/133, 137.4
CPC ... B65H 2701/33; B65H 75/40; B65H 54/585;
B65H 75/4471; B65H 2701/34; B65H
75/4468; B65H 75/241; B65H 2701/32;
A43C 11/165; G02B 6/4457; H04R
1/1033

See application file for complete search history.

(56) **References Cited**

U.S. PATENT DOCUMENTS

6,877,687 B2 * 4/2005 Moon B65H 75/40
137/355.2
D536,601 S * 2/2007 Grew D8/358

D575,025 S * 8/2008 Anderson D34/25
D580,621 S * 11/2008 Anderson D34/25
D582,758 S * 12/2008 Anderson D8/359
D582,759 S * 12/2008 Anderson D8/359
D589,329 S * 3/2009 Plunk D8/358
D686,907 S * 7/2013 Chastain D8/358
D694,095 S * 11/2013 Chastain D8/358

(Continued)

Primary Examiner — Robert M Spear

Assistant Examiner — Eliza Bennett-Hattan

(74) *Attorney, Agent, or Firm* — Millen, White, Zelano & Branigan, P.C.

(57) **CLAIM**

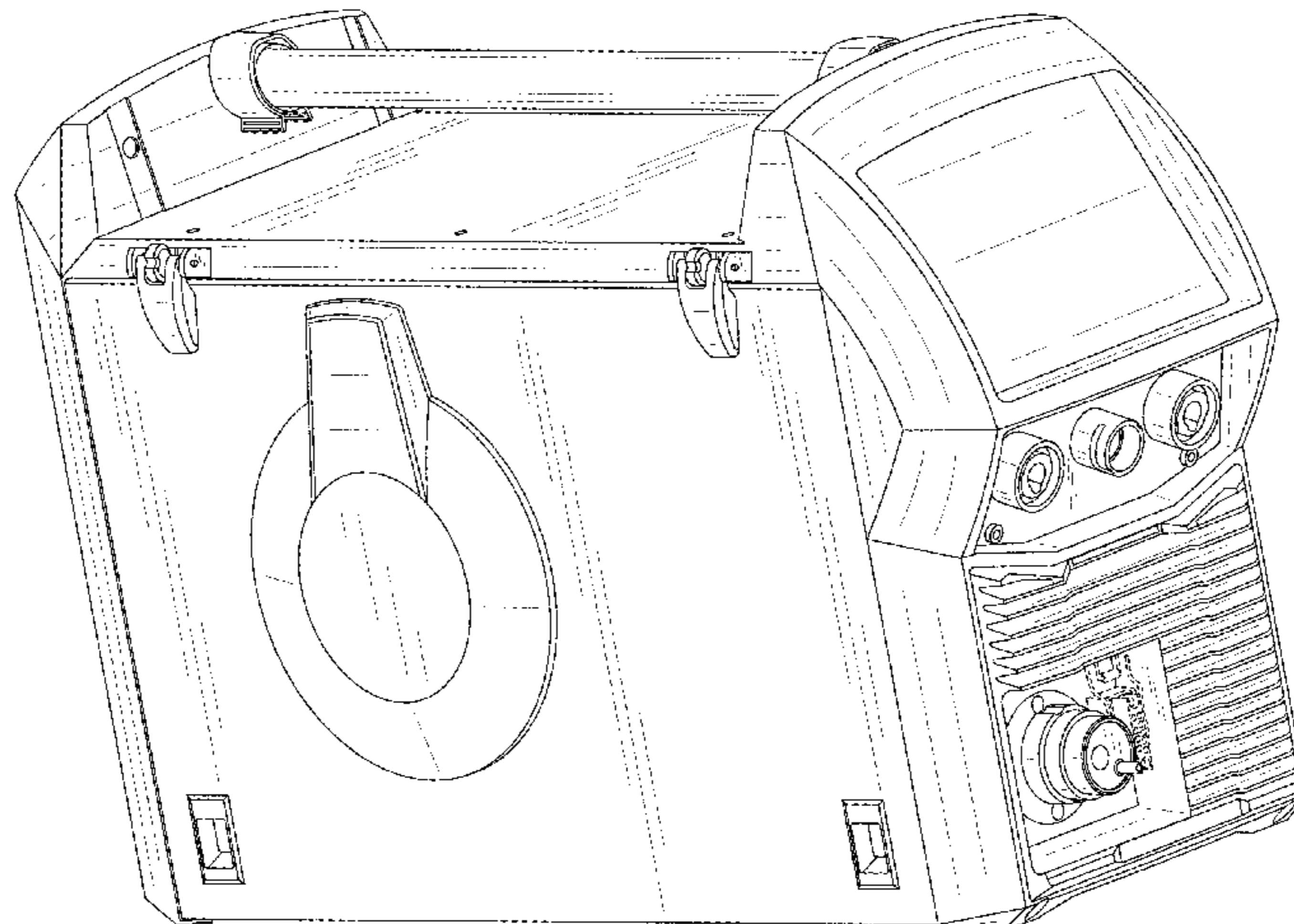
The ornamental design for a housing for spools of cables, as shown and described.

DESCRIPTION

FIG. 1 is a front-right perspective view of an embodiment of the housing for spools of cables;
FIG. 2 is a front view thereof;
FIG. 3 is a rear view thereof;
FIG. 4 is a left side view thereof;
FIG. 5 is a right side view thereof;
FIG. 6 is a top view thereof; and
FIG. 7 is a bottom view thereof.
FIG. 8 is a front-right perspective view of another embodiment of the housing for spools of cables;
FIG. 9 is a front view thereof;
FIG. 10 is a rear view thereof;
FIG. 11 is a left side view thereof;
FIG. 12 is a right side view thereof;
FIG. 13 is a top view thereof; and,
FIG. 14 is a bottom view thereof.

The broken lines shown throughout the views depict unclaimed subject matter and form no part of the claimed design.

1 Claim, 14 Drawing Sheets



(56)

References Cited

U.S. PATENT DOCUMENTS

2004/0046078	A1 *	3/2004	Moon	B65H 75/40 242/390.8
2006/0006270	A1 *	1/2006	Tanji	B65H 75/40 242/397

* cited by examiner

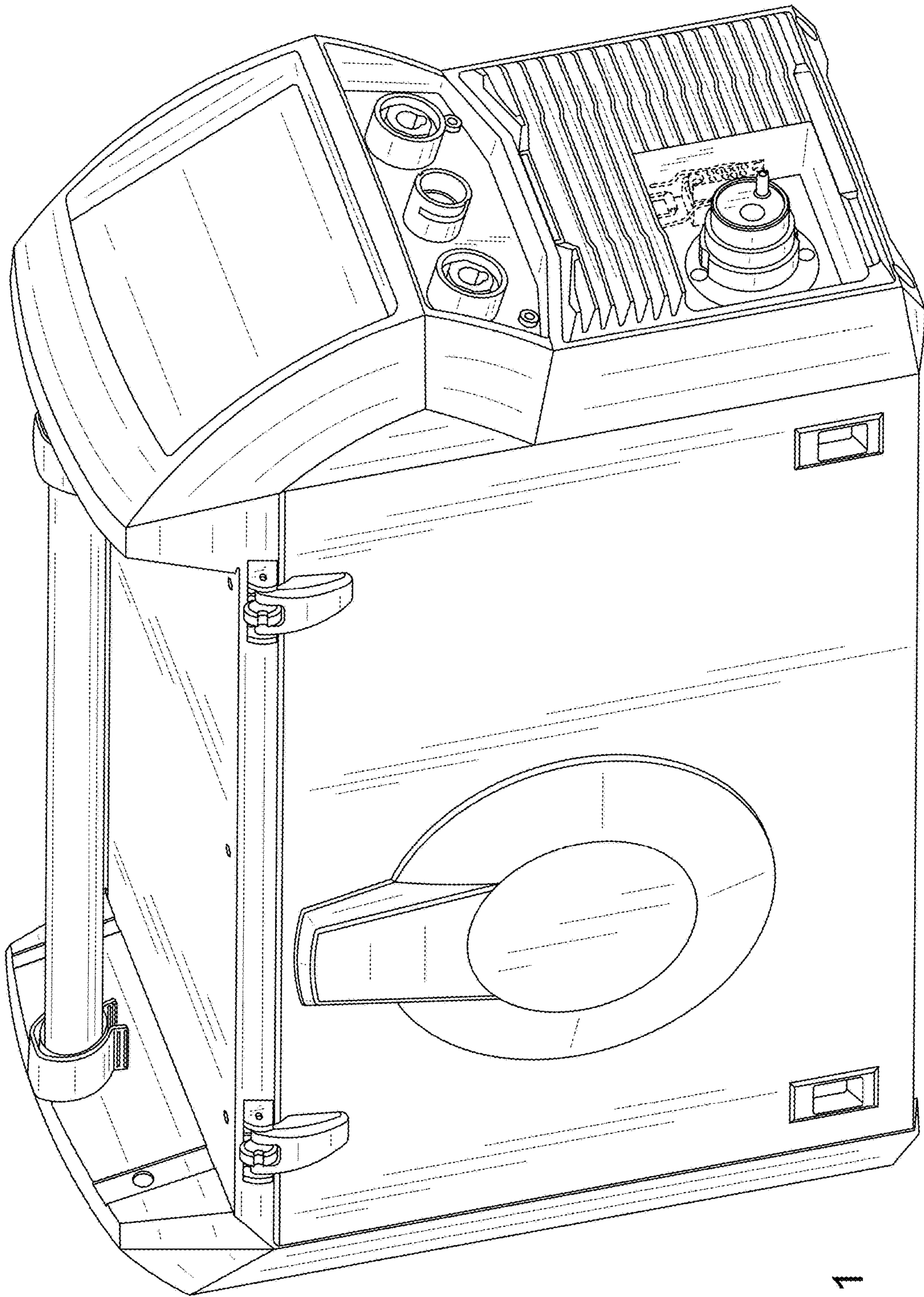


FIG. 1

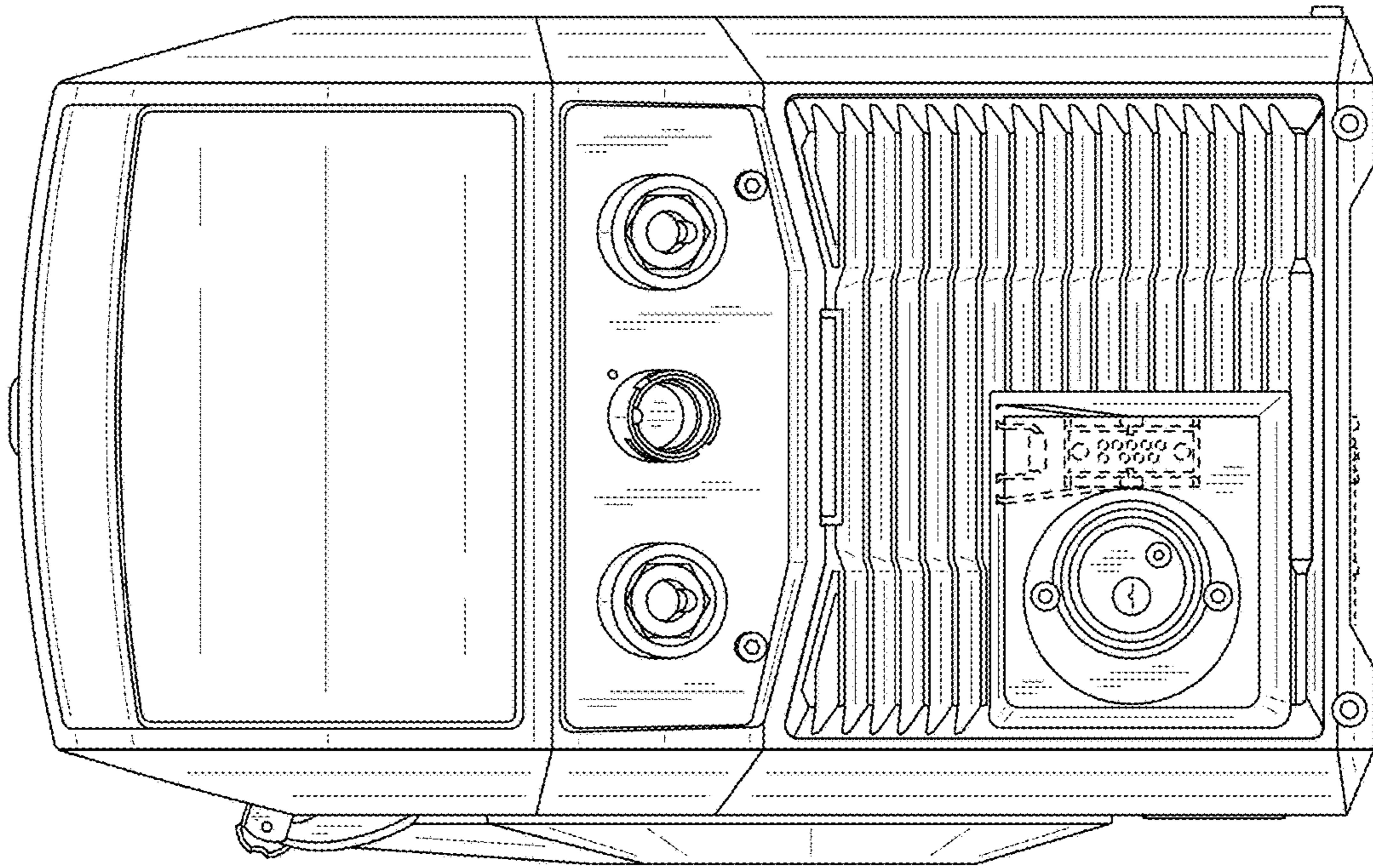


FIG. 2

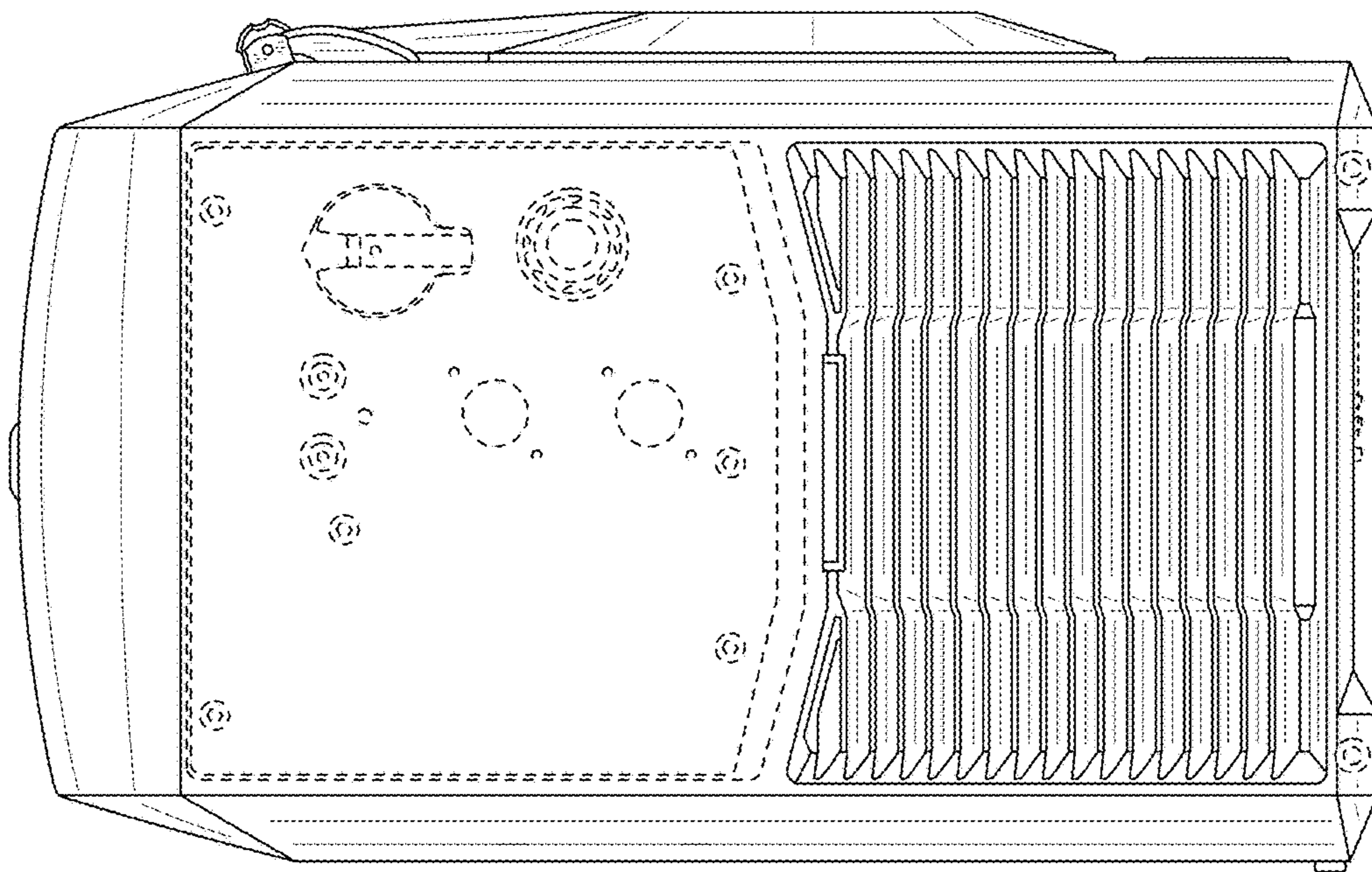


FIG. 3

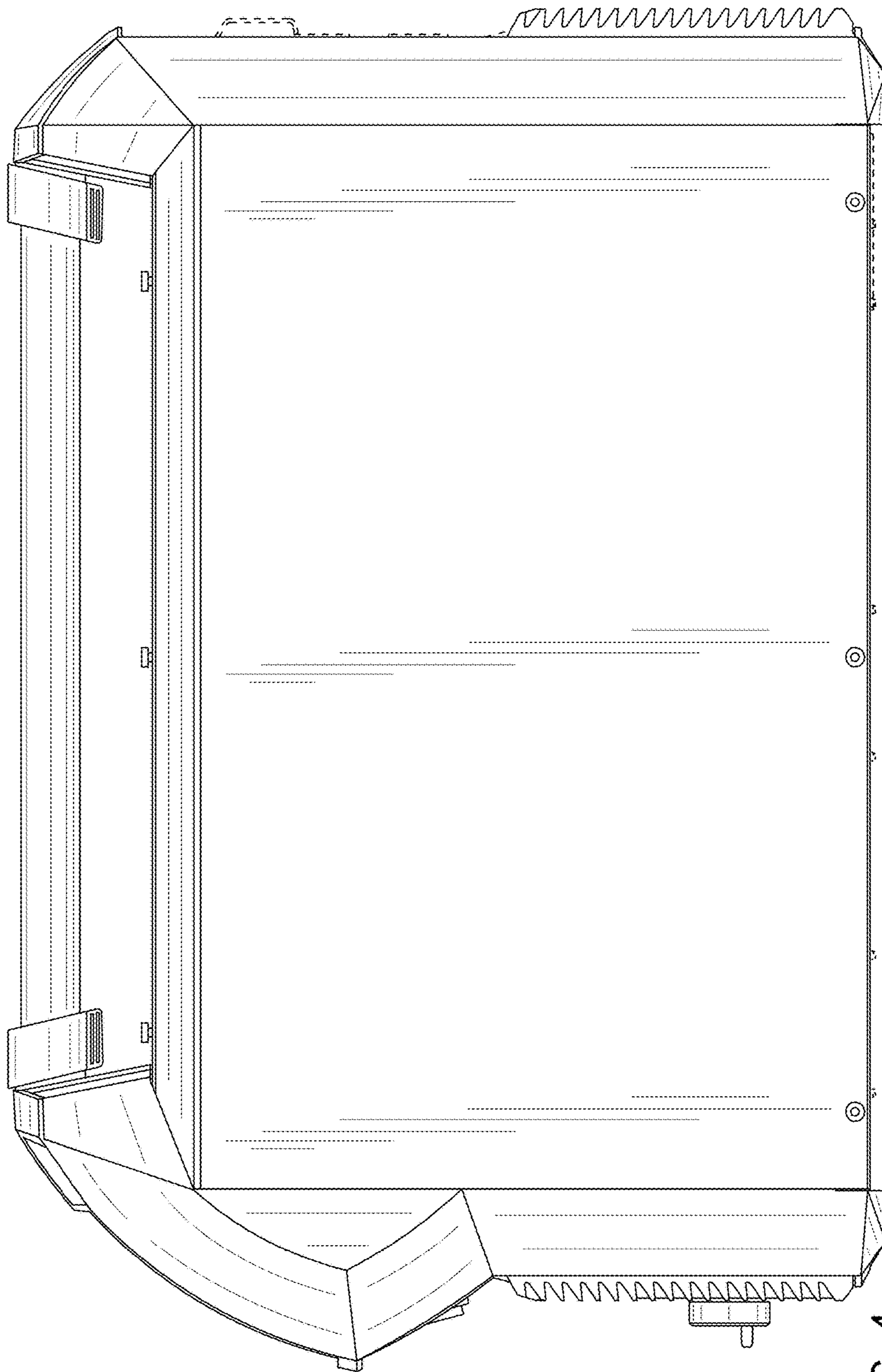


FIG. 4

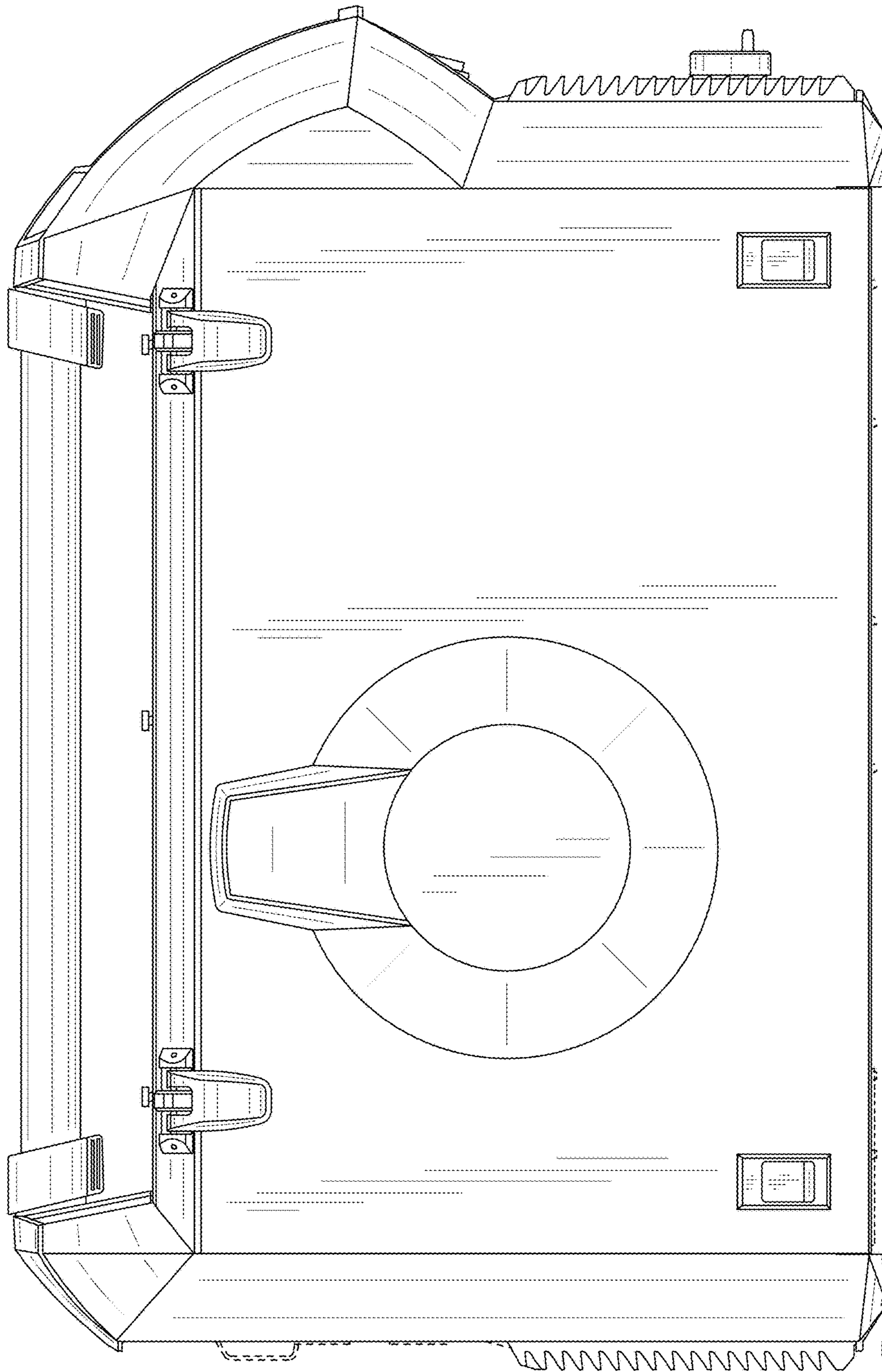


FIG. 5

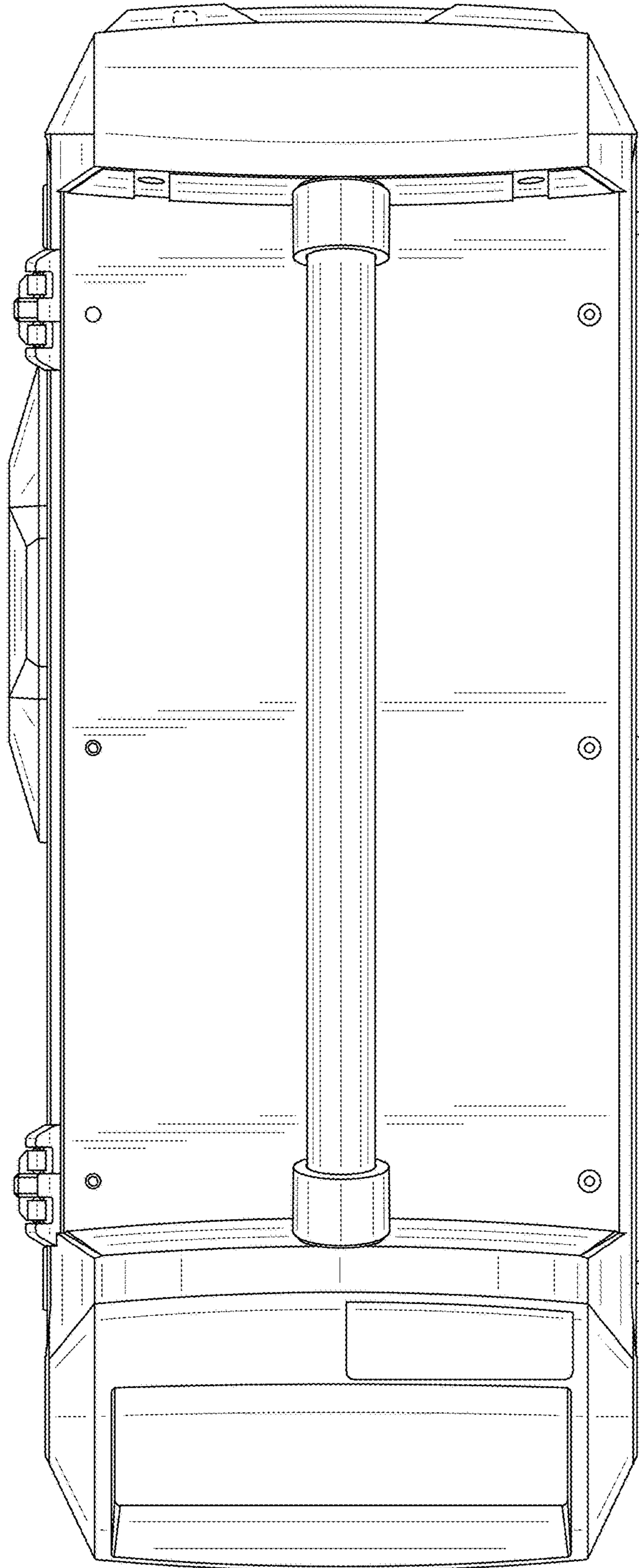


FIG. 6

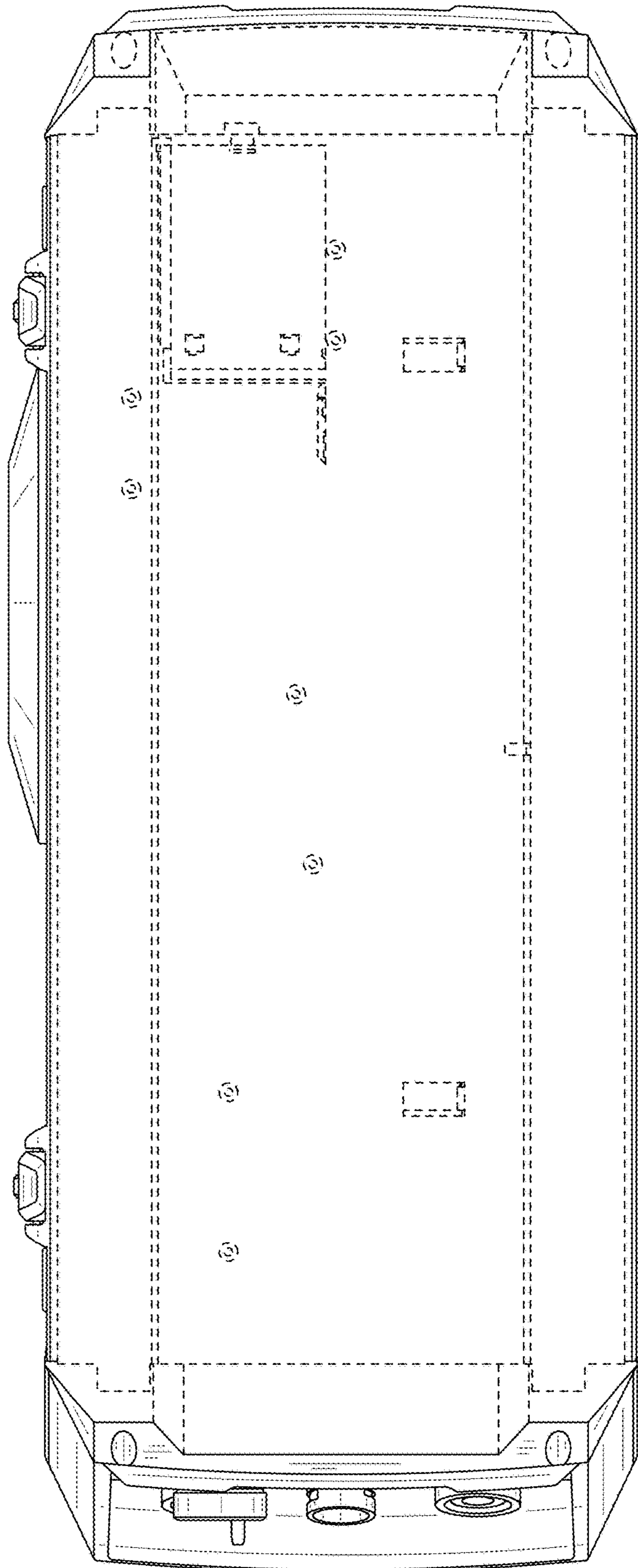


FIG. 7

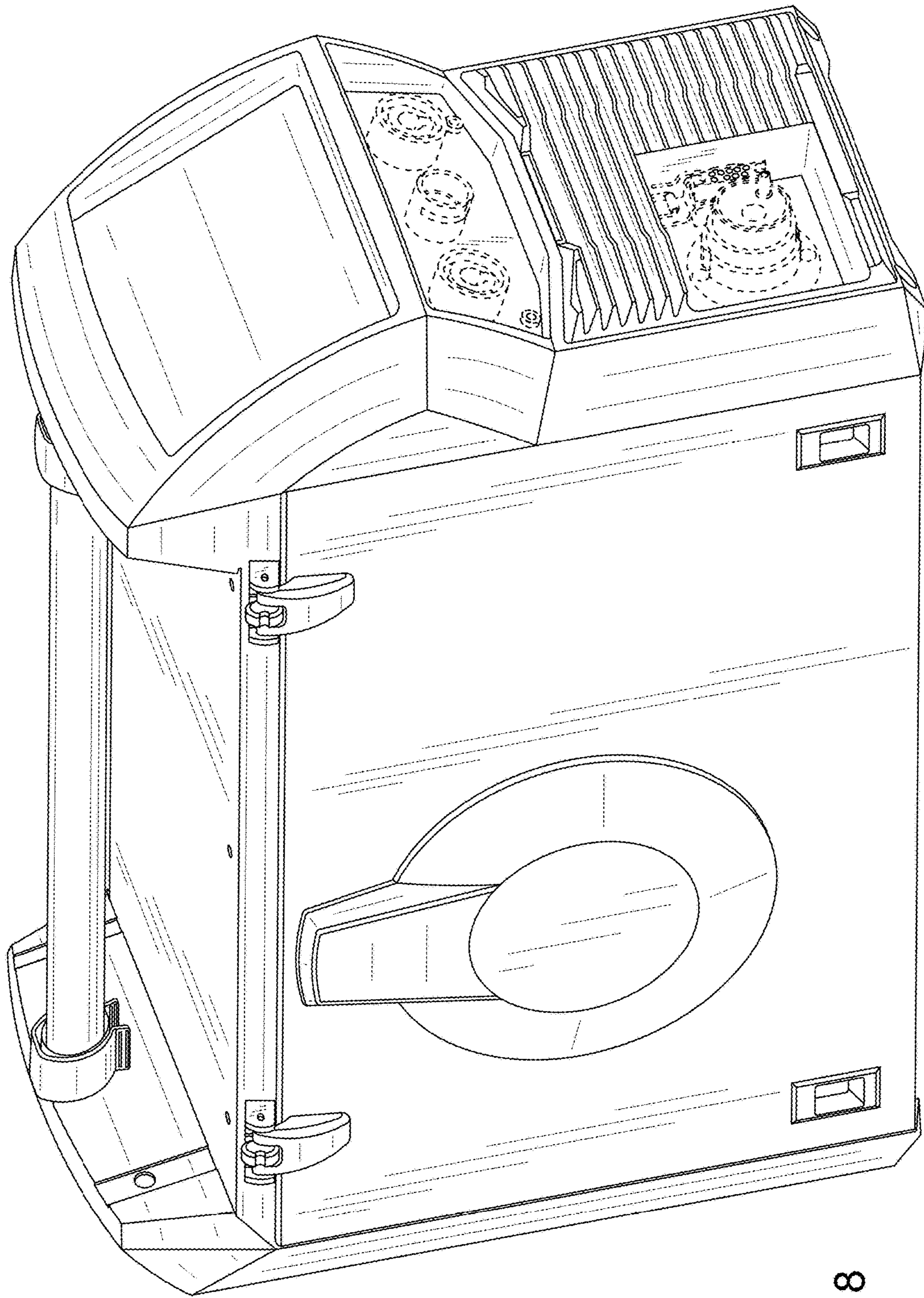


FIG. 8

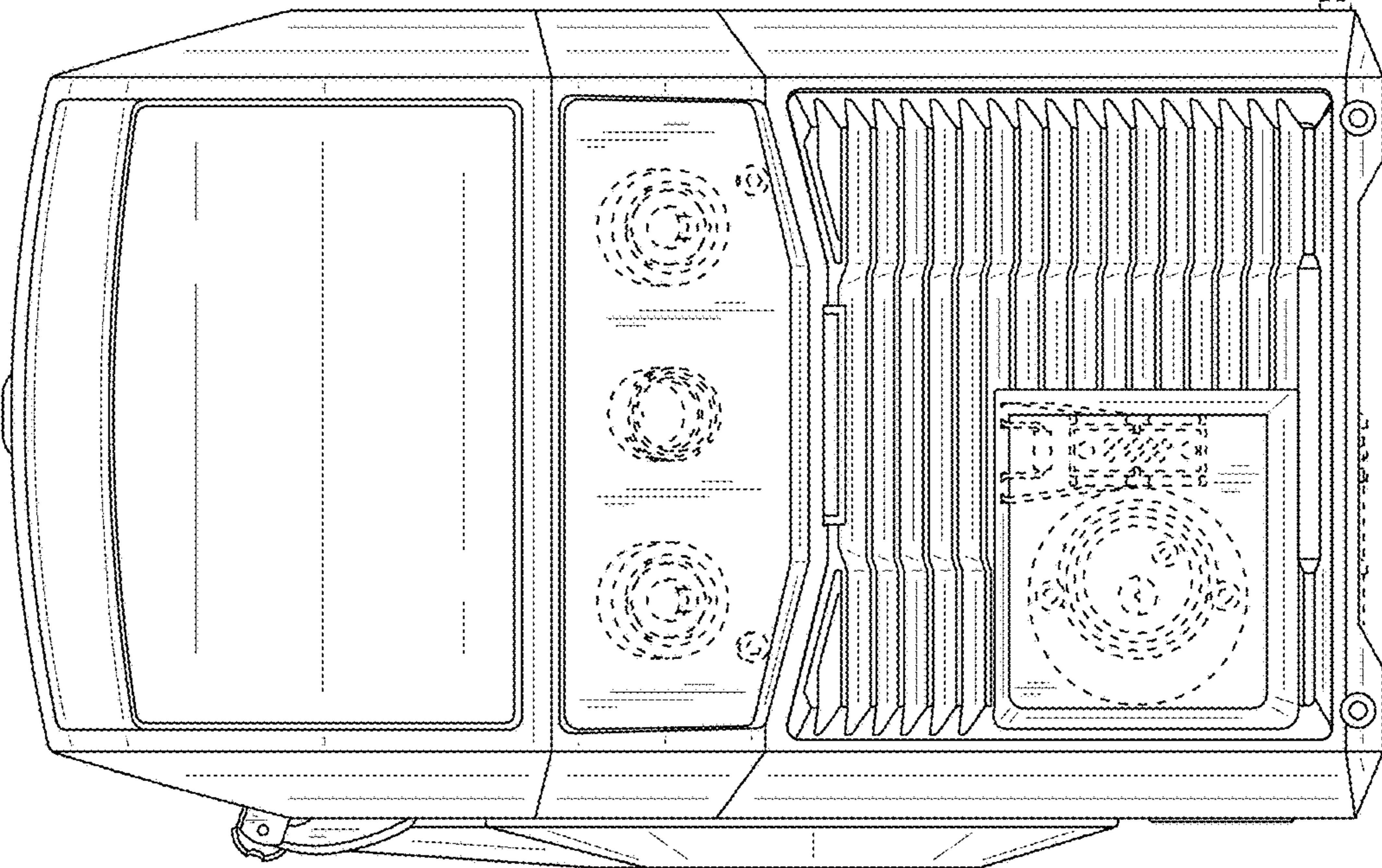


FIG. 9

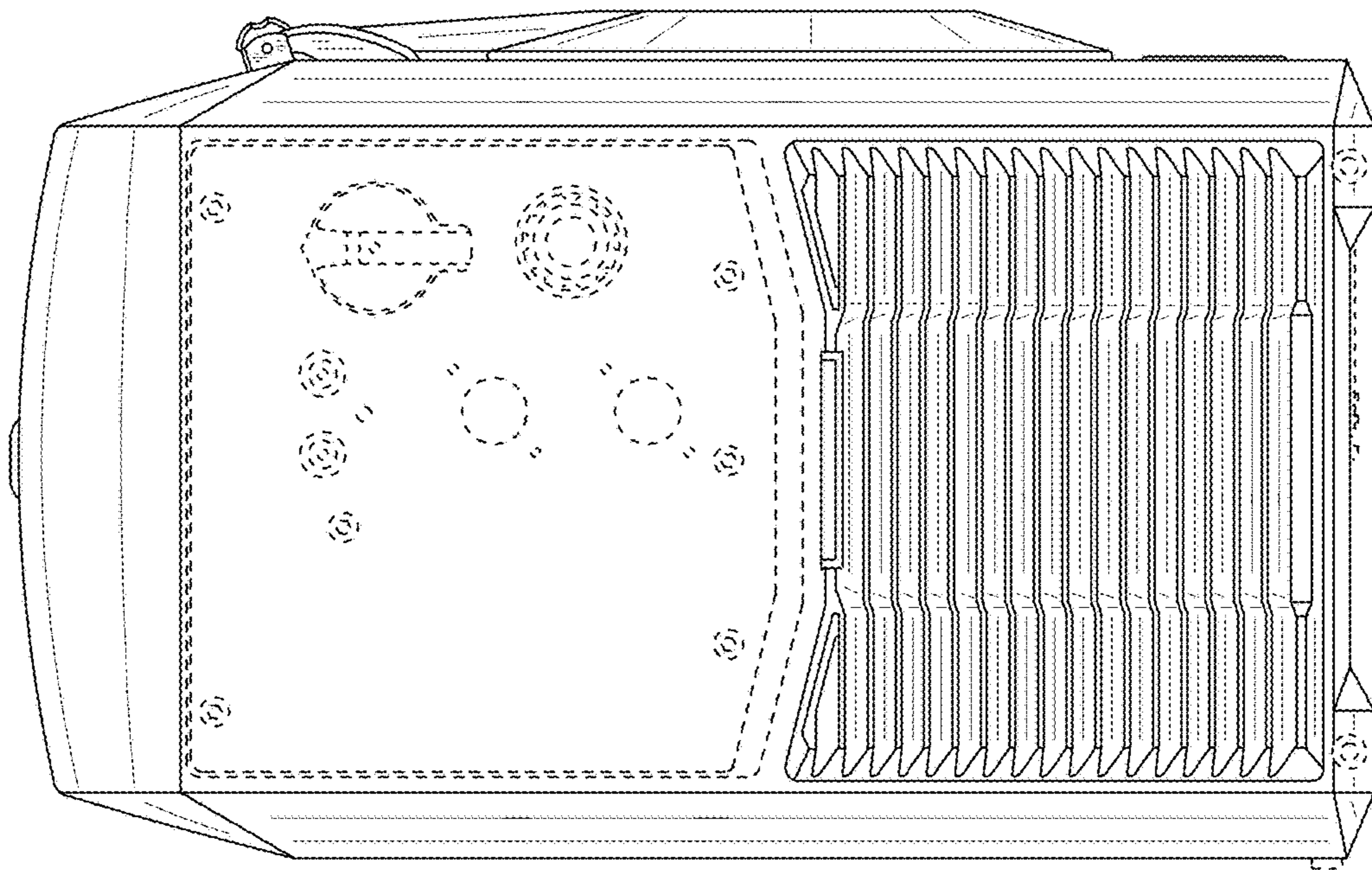


FIG. 10

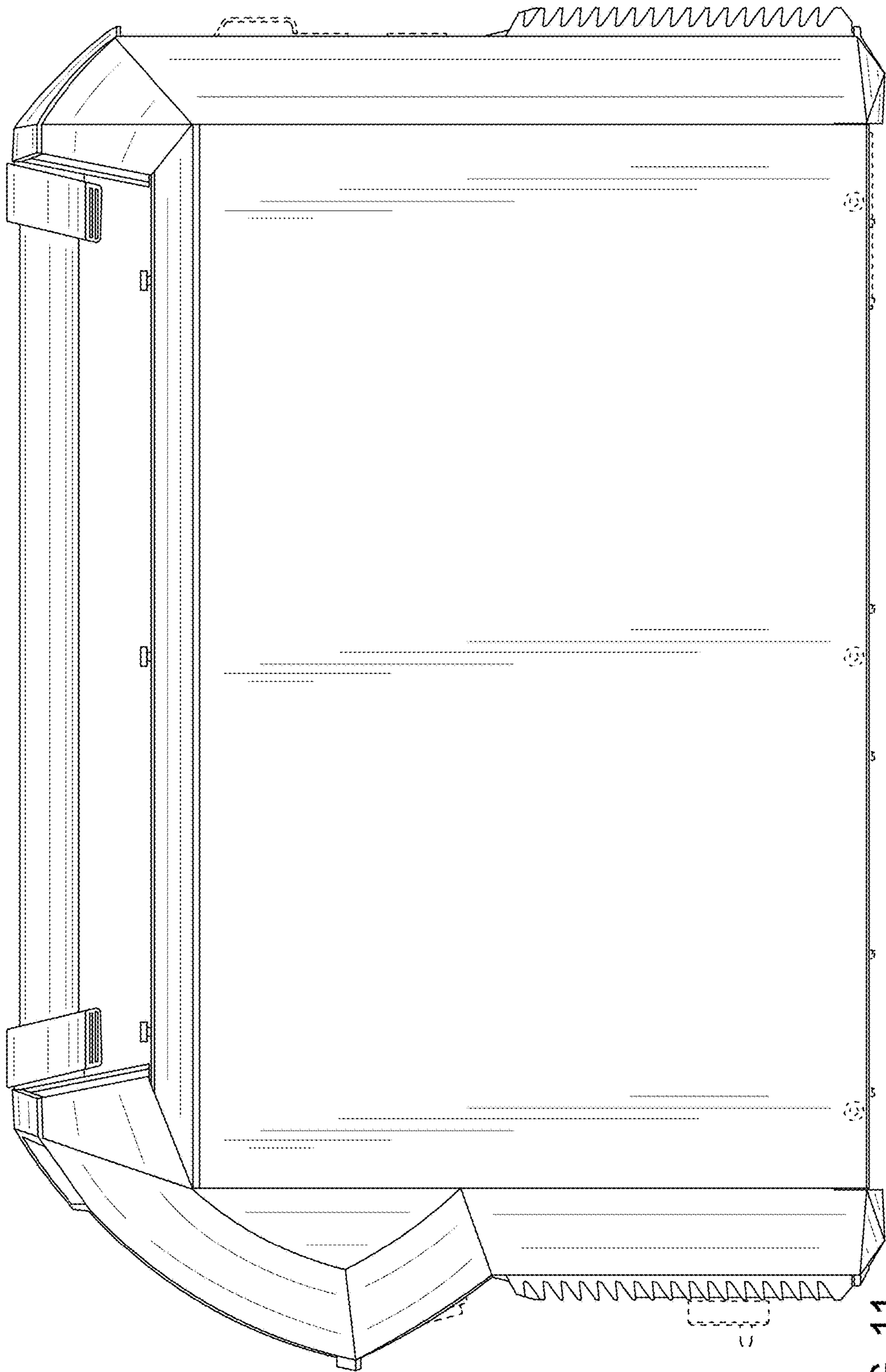


FIG. 11

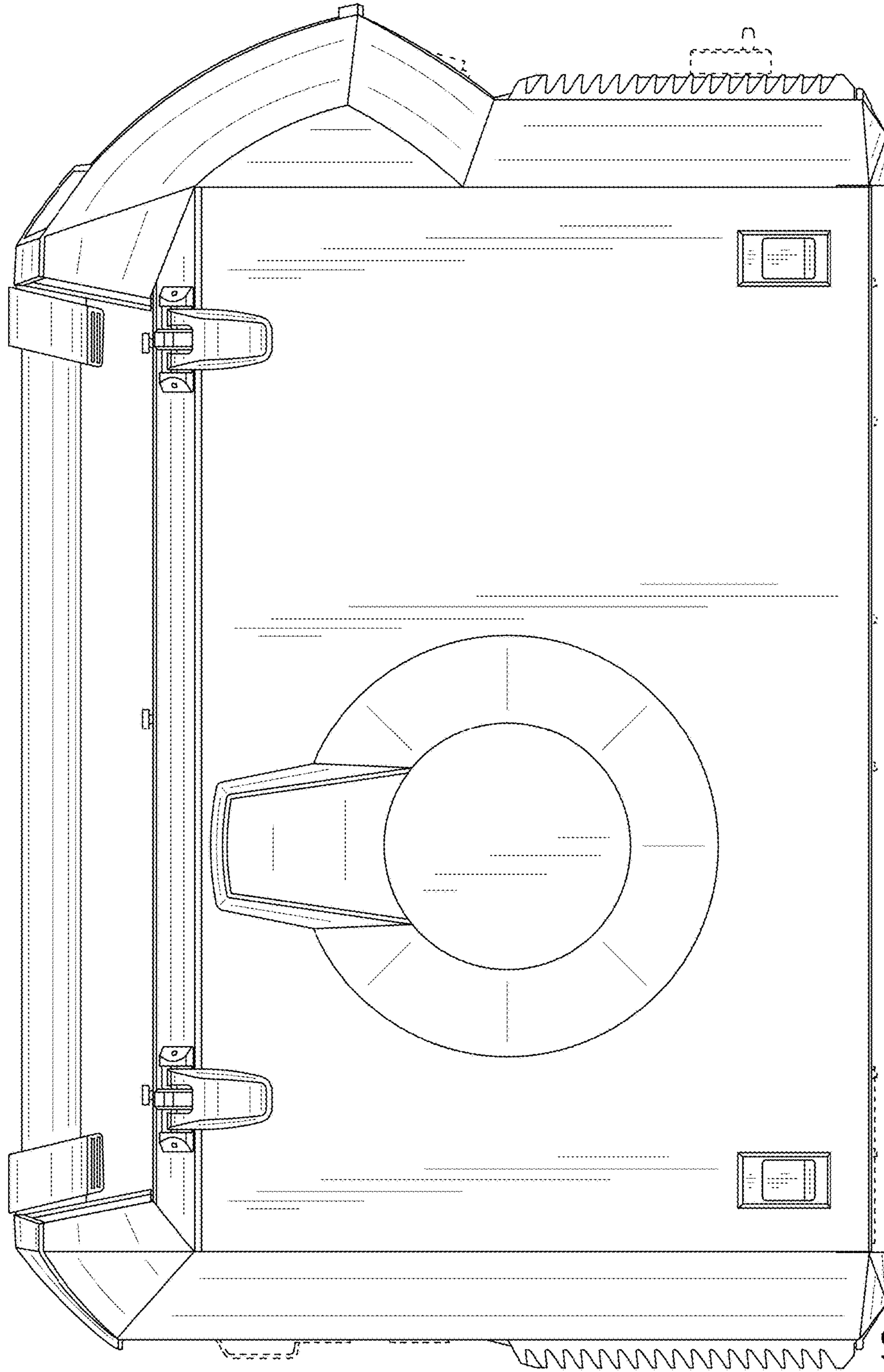


FIG. 12

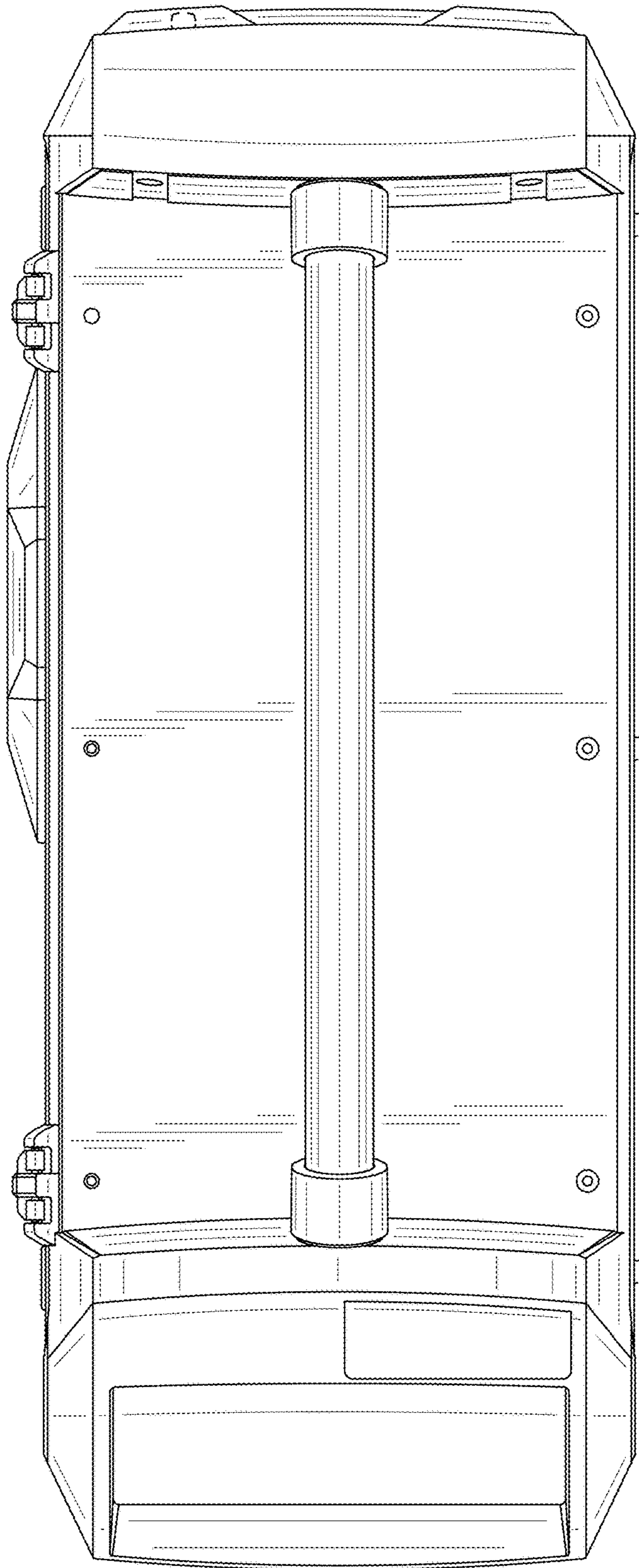


FIG. 13

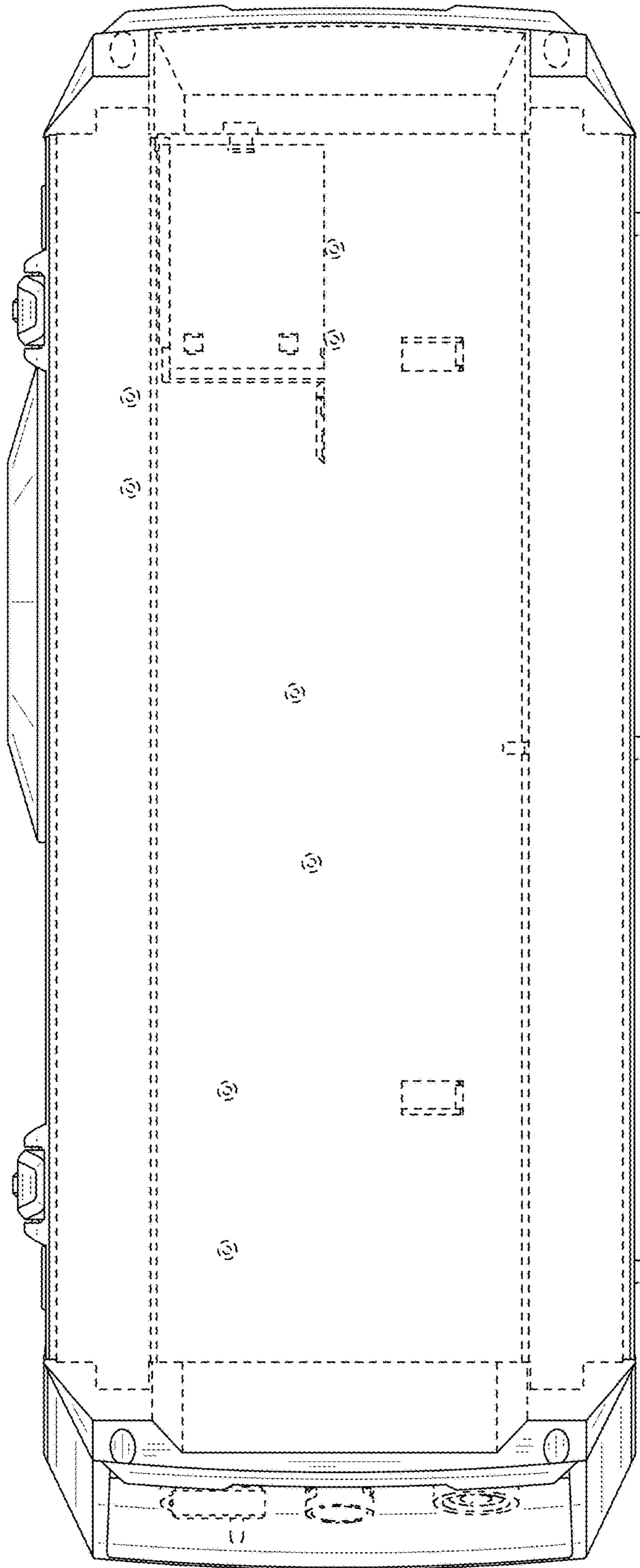


FIG. 14