



US00D777107S

(12) **United States Design Patent**
Ji et al.

(10) **Patent No.:** **US D777,107 S**

(45) **Date of Patent:** **** Jan. 24, 2017**

(54) **SMART SOCKET**

(71) Applicants: **NANNING FUGUI PRECISION INDUSTRIAL CO., LTD.**, Nanning (CN); **HON HAI PRECISION INDUSTRY CO., LTD.**, New Taipei (TW)

(72) Inventors: **Yan-Juan Ji**, Shenzhen (CN); **Wei-Min Chang**, New Taipei (TW)

(73) Assignees: **NANNING FUGUI PRECISION INDUSTRIAL CO., LTD.**, Nanning (CN); **HON HAI PRECISION INDUSTRY CO., LTD.**, New Taipei (TW)

(**) Term: **15 Years**

(21) Appl. No.: **29/554,713**

(22) Filed: **Feb. 15, 2016**

(30) **Foreign Application Priority Data**

Sep. 25, 2015 (CN) 2015 3 0376339

(51) **LOC (10) Cl.** **13-03**

(52) **U.S. Cl.**
USPC **D13/137.2**

(58) **Field of Classification Search**
USPC ... D13/139.6, 123, 108, 110, 152; D24/186; 320/114, 111
CPC A45F 5/00; H02J 7/0042
See application file for complete search history.

(56) **References Cited**

U.S. PATENT DOCUMENTS

D674,342 S * 1/2013 Ho D13/110
D676,382 S * 2/2013 McSweyn D13/108

D695,214 S * 12/2013 Roberts D13/107
D695,693 S * 12/2013 Lee D13/152
D699,183 S * 2/2014 Zaslavsky D13/110
D700,140 S * 2/2014 Loya D13/110
D700,579 S * 3/2014 Mobbs D13/137.1
D712,829 S * 9/2014 Huang D13/110
D713,788 S * 9/2014 Hasegawa D13/110
D715,734 S * 10/2014 Levy D13/110
D718,715 S * 12/2014 Si D13/110
D719,093 S * 12/2014 Levy D13/108
D731,430 S * 6/2015 Segnit D13/137.2
D734,253 S * 7/2015 Tinaphong D13/108
D742,315 S * 11/2015 Dang D13/110
D746,228 S * 12/2015 Medley D13/110
D751,038 S * 3/2016 Lin D13/137.2
D753,063 S * 4/2016 Gelonese D13/137.2

* cited by examiner

Primary Examiner — Rhea Shields

(74) *Attorney, Agent, or Firm* — Zhigang Ma

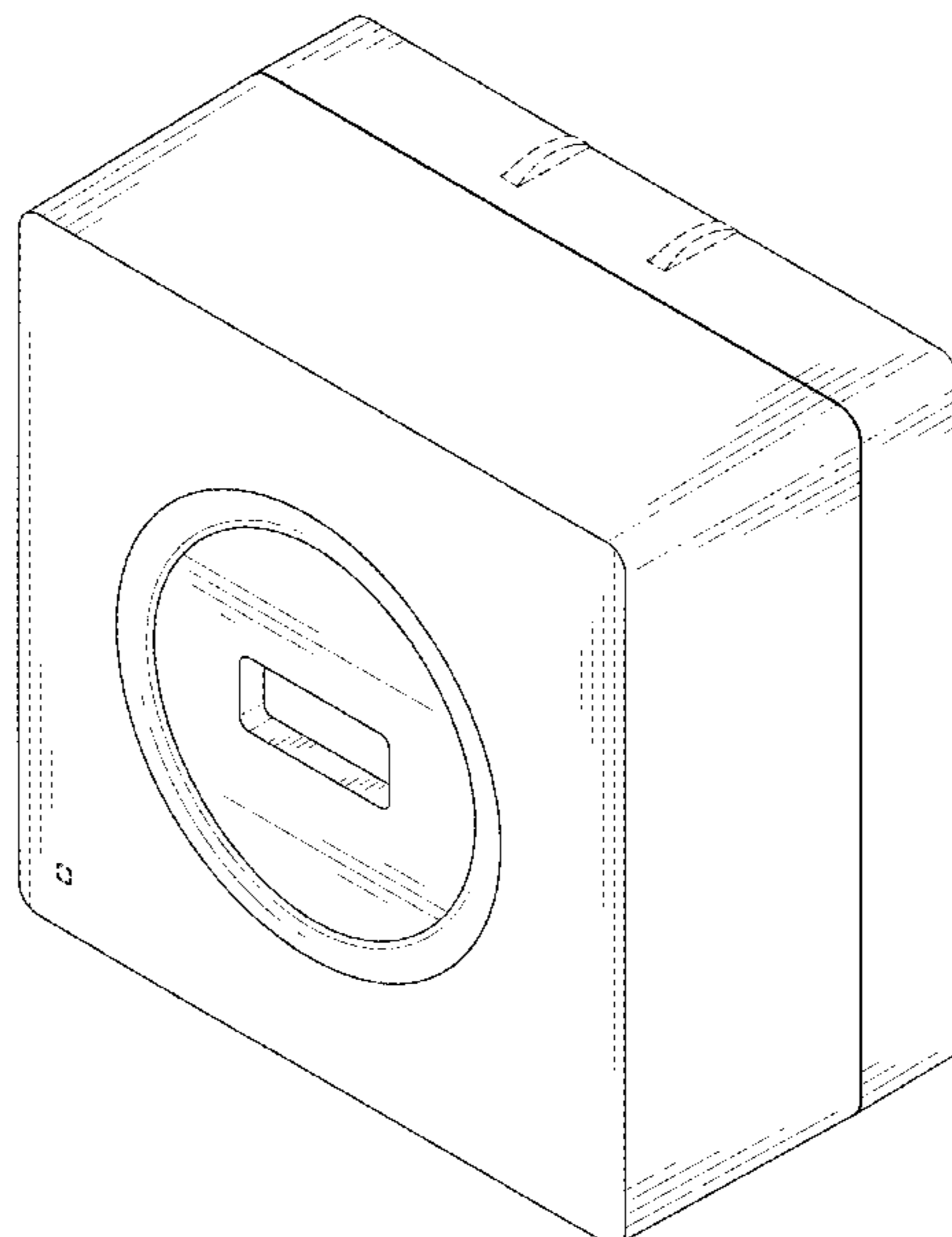
(57) **CLAIM**

The ornamental design for a smart socket, as shown and described.

DESCRIPTION

FIG. 1 is a perspective view of a smart socket; FIG. 2 is a front elevational view thereof; FIG. 3 is a rear elevational view thereof; FIG. 4 is a left side elevational view thereof; FIG. 5 is a right side elevational view thereof; FIG. 6 is a top plan view thereof; and, FIG. 7 is a bottom plan view thereof. In the drawings, the broken lines are for the purpose of illustrating environment only and form no part of the claimed design.

1 Claim, 7 Drawing Sheets



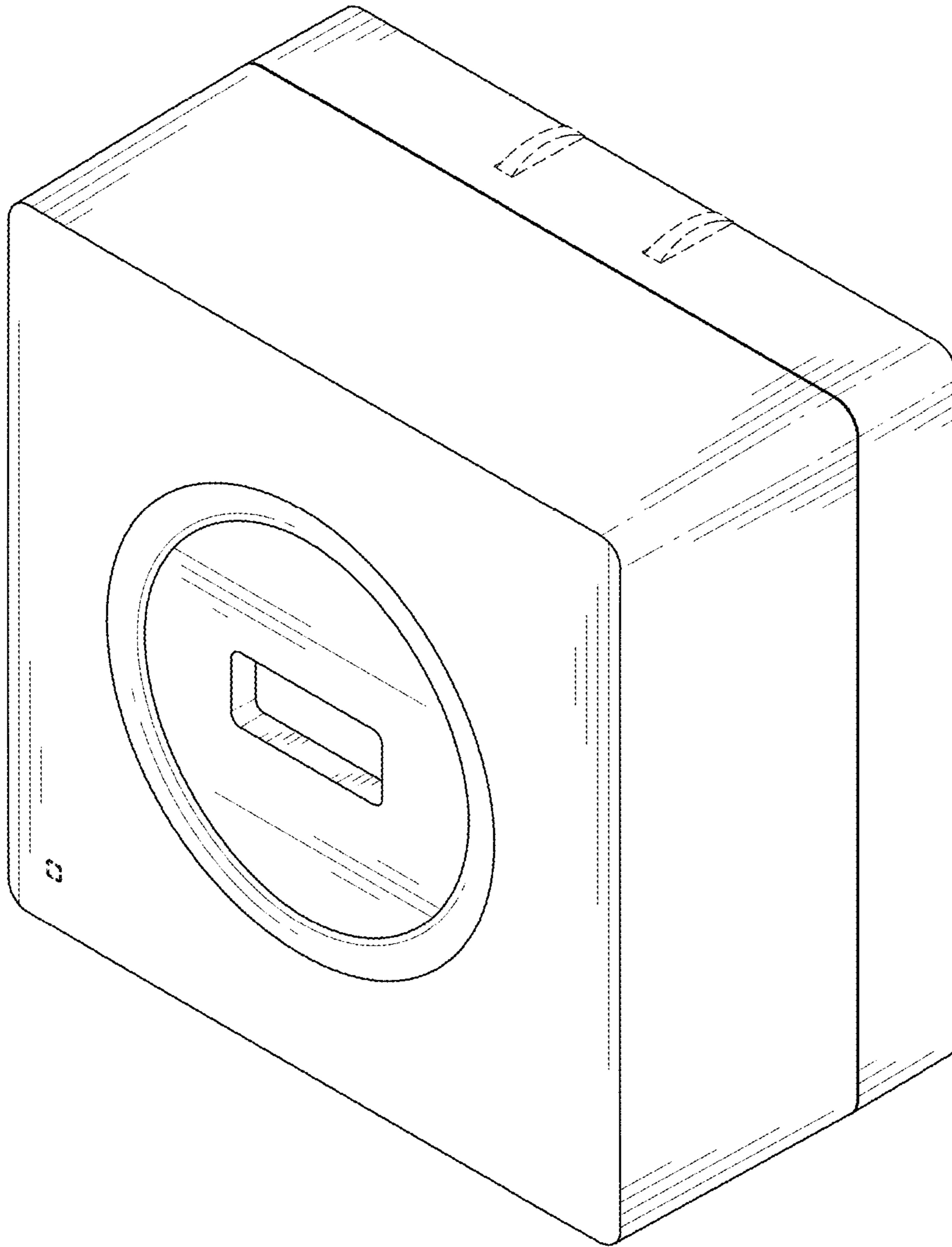


FIG. 1

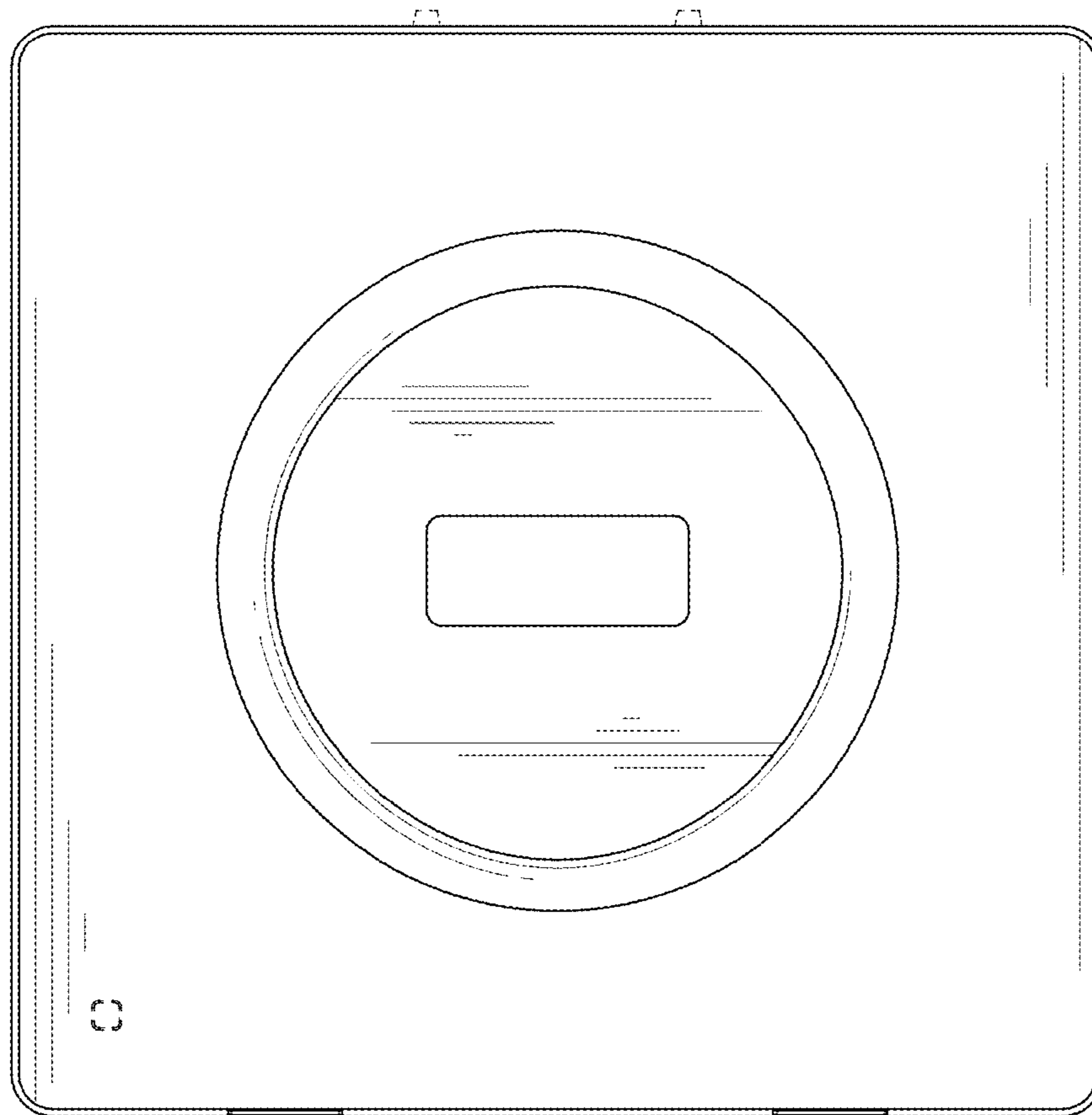


FIG. 2

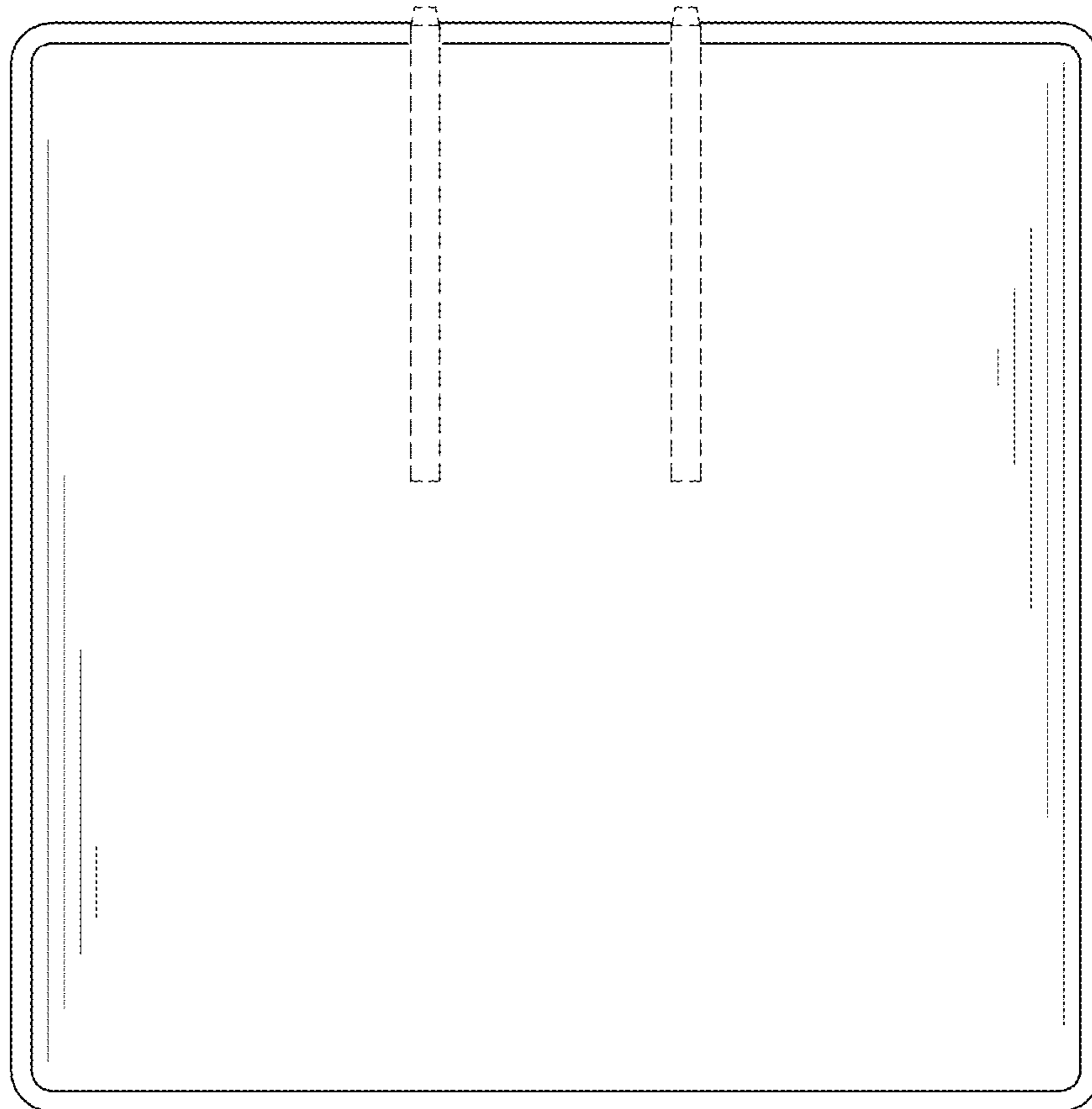


FIG. 3

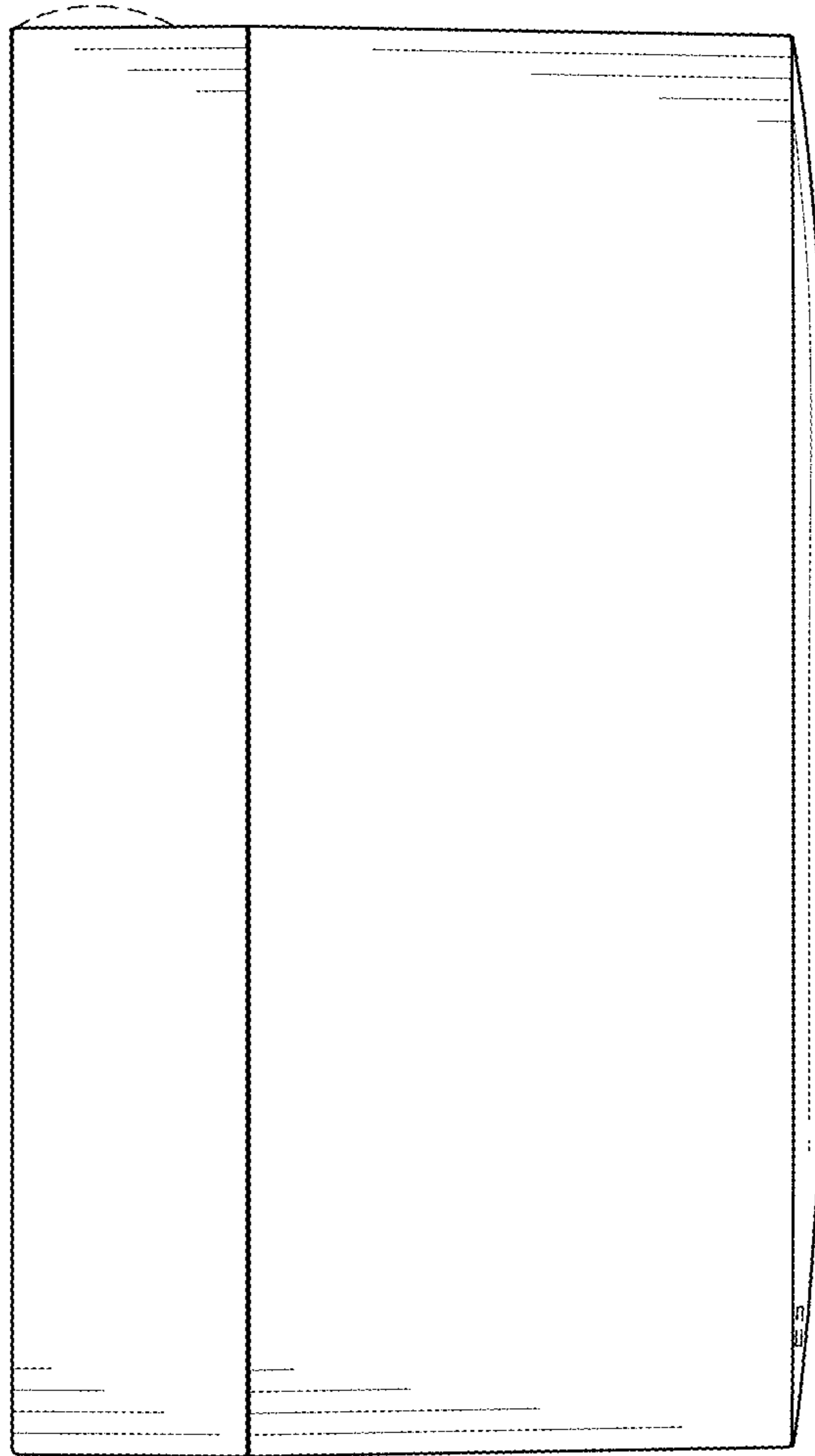


FIG. 4

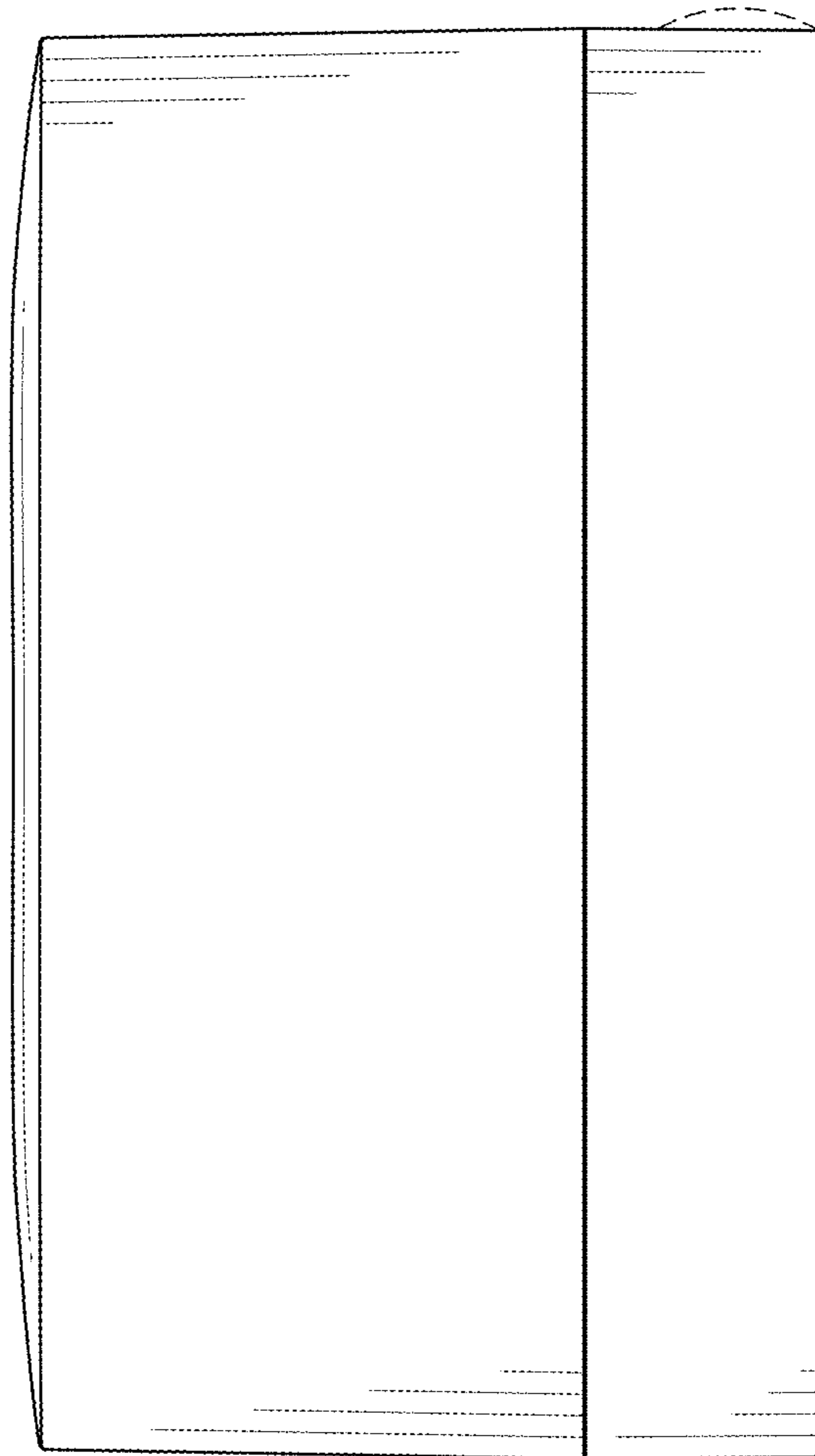


FIG. 5

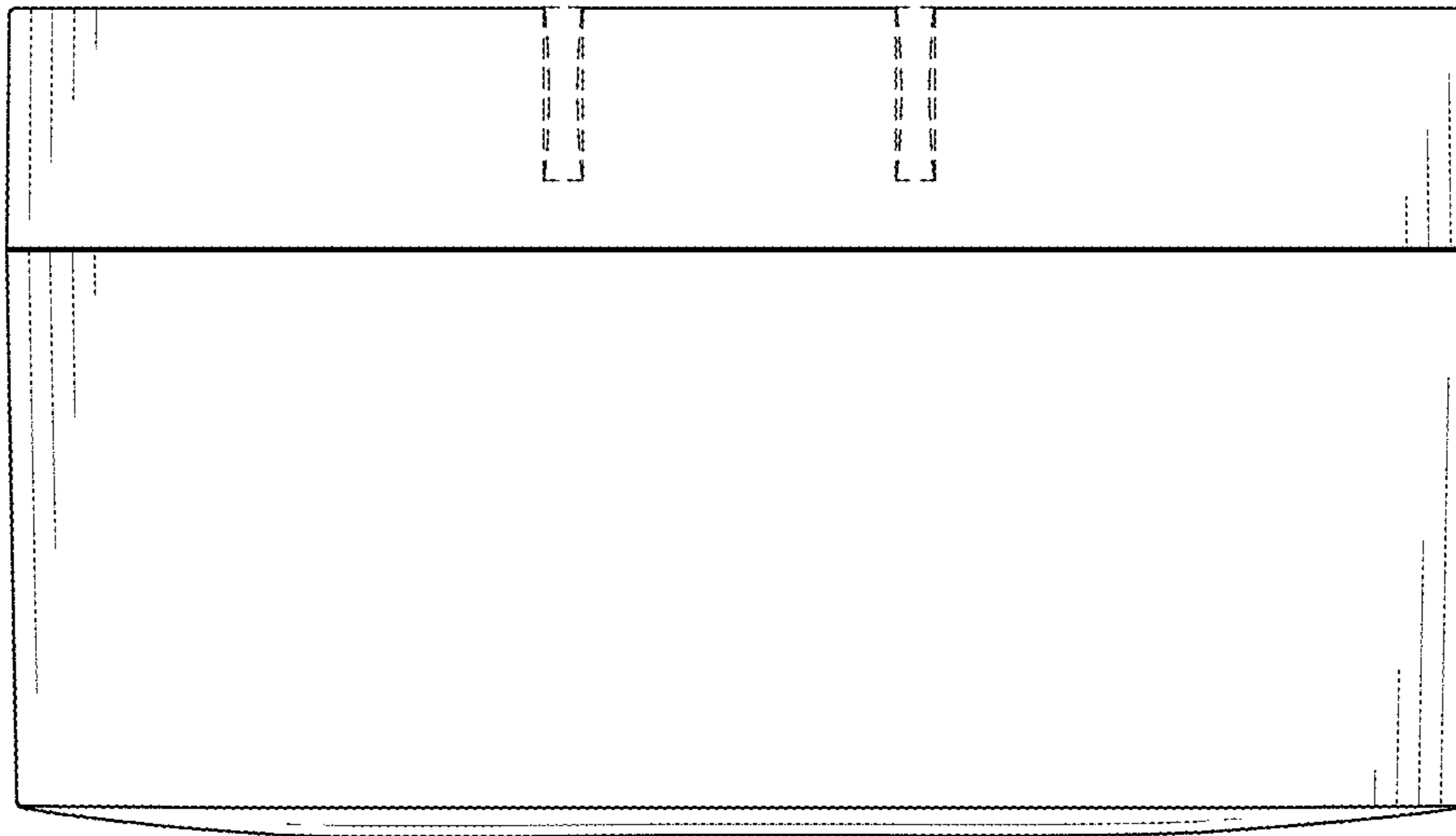


FIG. 6

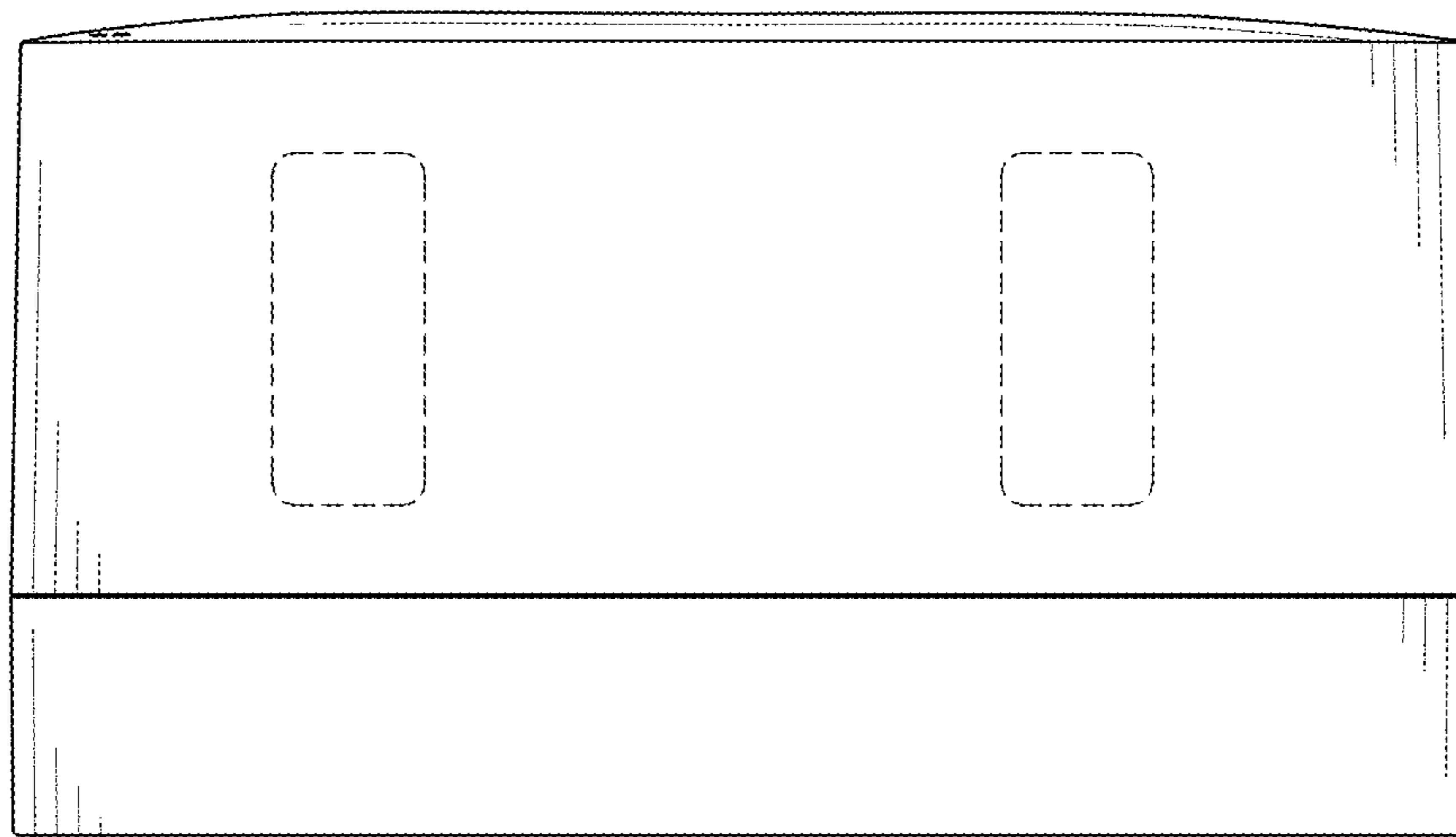


FIG. 7