



US00D777106S

(12) **United States Design Patent**
Katagiyama et al.

(10) **Patent No.:** **US D777,106 S**
(45) **Date of Patent:** **** Jan. 24, 2017**

(54) **OPTICAL CONNECTOR**

(71) Applicant: **Japan Aviation Electronics Industry, Limited**, Tokyo (JP)

(72) Inventors: **Naoki Katagiyama**, Tokyo (JP); **Yuichi Koreeda**, Tokyo (JP)

(73) Assignee: **Japan Aviation Electronics Industry, Limited**, Tokyo (JP)

(**) Term: **15 Years**

(21) Appl. No.: **29/539,606**

(22) Filed: **Sep. 16, 2015**

(30) **Foreign Application Priority Data**

Apr. 2, 2015 (JP) 2015-007532

(51) **LOC (10) Cl.** **13-03**

(52) **U.S. Cl.**
USPC **D13/133**

(58) **Field of Classification Search**
USPC D13/101, 103, 110, 118, 123, 133-136,
D13/146, 147, 149, 151-156, 173, 184,
D13/199

CPC F16B 7/00; H01R 4/66; H01R 9/00;
H01R 9/05; H01R 9/24; H01R
13/62; H01R 13/79; H02G 3/00; H02G
3/02; H02G 3/06; H02G 3/18

See application file for complete search history.

(56) **References Cited**

U.S. PATENT DOCUMENTS

D360,617 S * 7/1995 Grande D13/133
D446,771 S * 8/2001 Bosatelli D13/146
D525,202 S * 7/2006 Bihrer D13/146
D554,067 S * 10/2007 Phung D13/151

D581,364 S * 11/2008 Cummings D13/151
D659,099 S * 5/2012 Svelnis D13/151
D659,100 S * 5/2012 Deiss D13/151
D683,701 S * 6/2013 Svelnis D13/133
D753,594 S * 4/2016 Katagiyama D13/133
2007/0012474 A1* 1/2007 McNutt H01R 13/447
174/135
2008/0261446 A1* 10/2008 Arnaud H01R 13/6315
439/578
2010/0104355 A1* 4/2010 Sugimoto G02B 6/3897
403/292

FOREIGN PATENT DOCUMENTS

JP 1503677 S 7/2014
JP 1524501 S 5/2015

* cited by examiner

Primary Examiner — Thomas Johannes

Assistant Examiner — Shawn T Gingrich

(74) *Attorney, Agent, or Firm* — Cermak Nakajima & McGowan LLP; Tomoko Nakajima

(57) **CLAIM**

The ornamental design for an optical connector, as shown.

DESCRIPTION

FIG. 1 is a front elevational view of an optical connector showing our new design;

FIG. 2 is a top plan view thereof;

FIG. 3 is a right side elevational view thereof;

FIG. 4 is a left side elevational view thereof;

FIG. 5 is a rear elevational view thereof; and

FIG. 6 is a bottom plan view thereof.

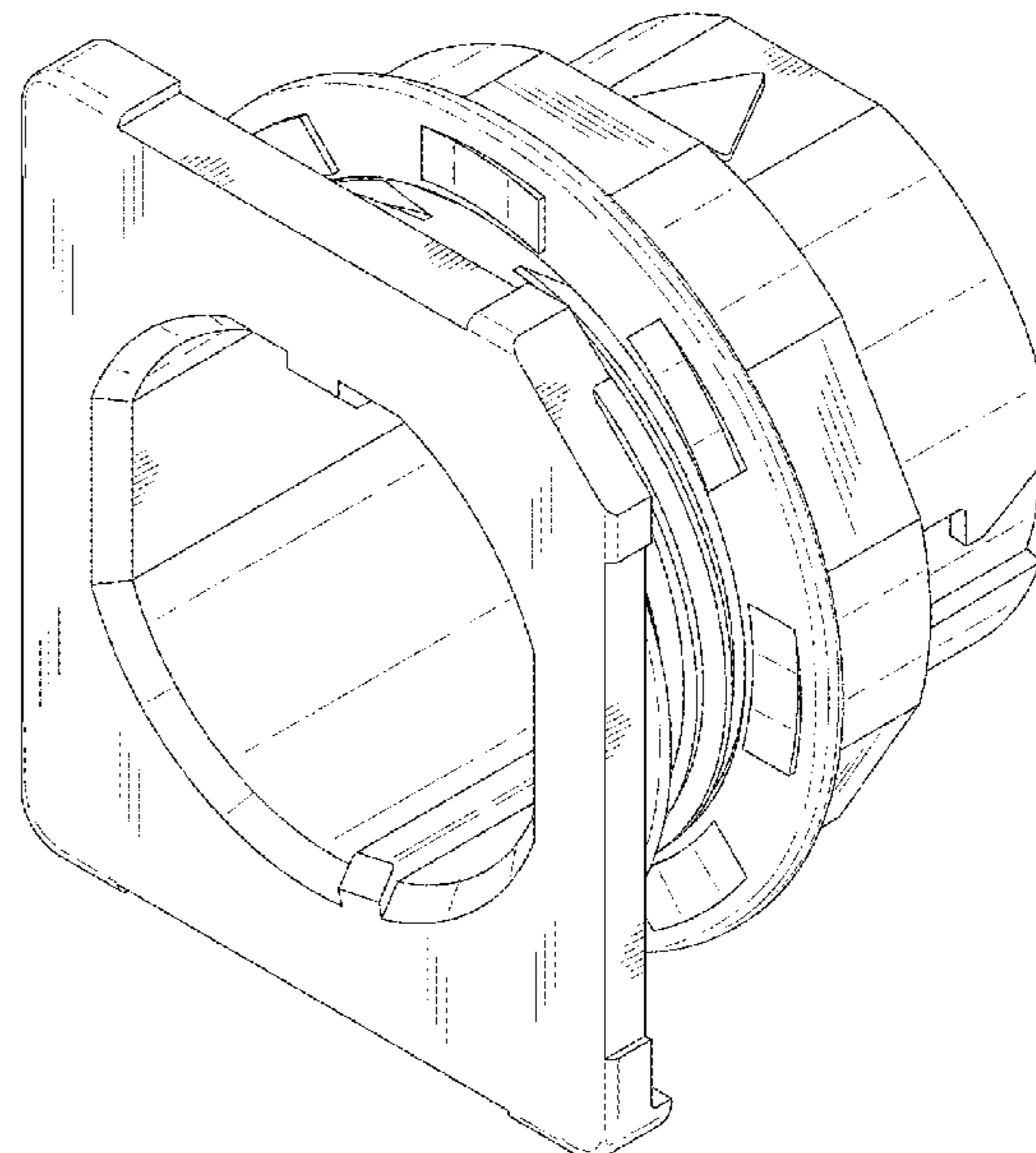
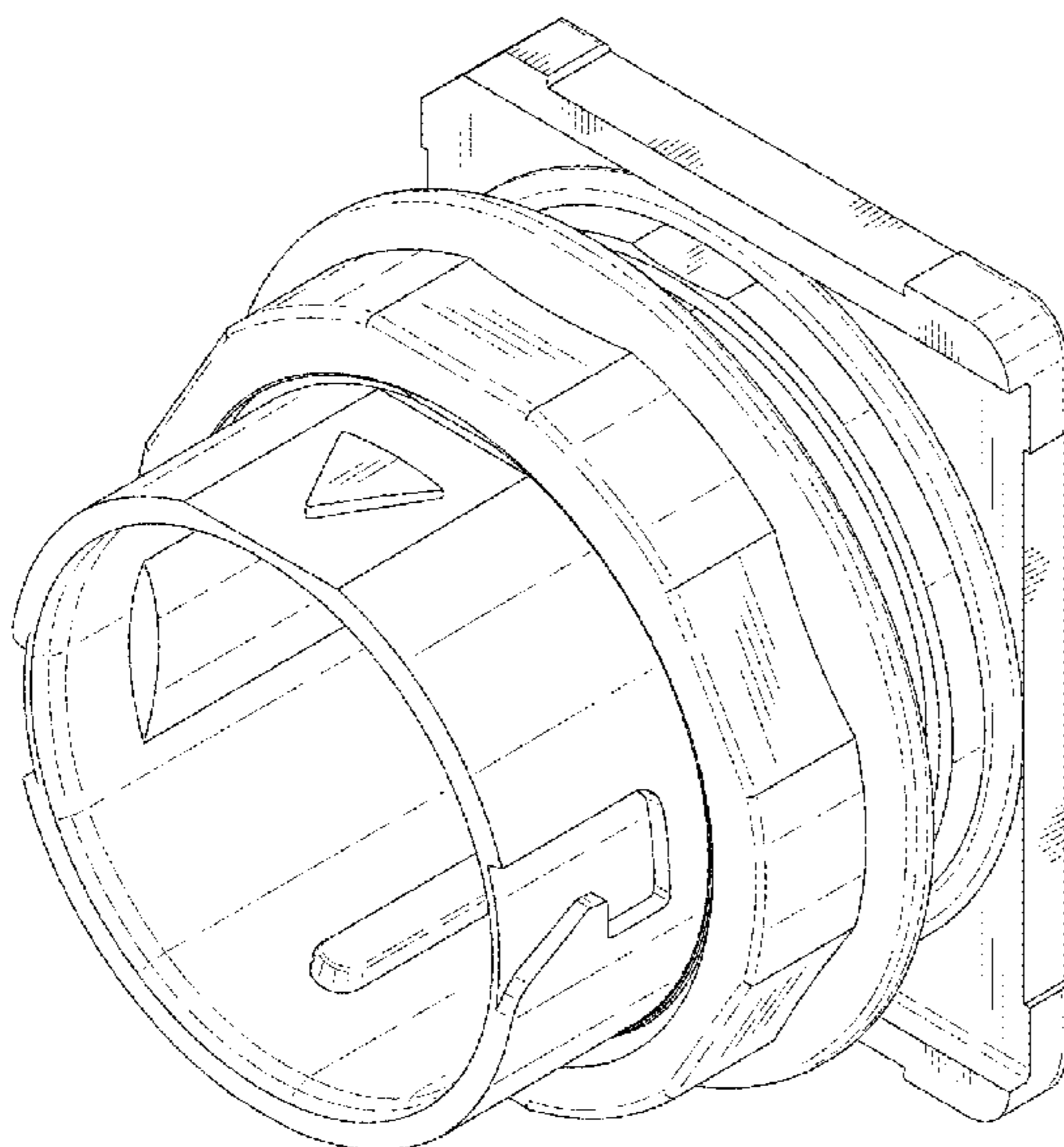
FIG. 7 is a front and top perspective view thereof;

FIG. 8 is a rear and top perspective view thereof;

FIG. 9 is a front and bottom perspective view thereof; and,

FIG. 10 is a rear and bottom perspective view thereof.

1 Claim, 10 Drawing Sheets



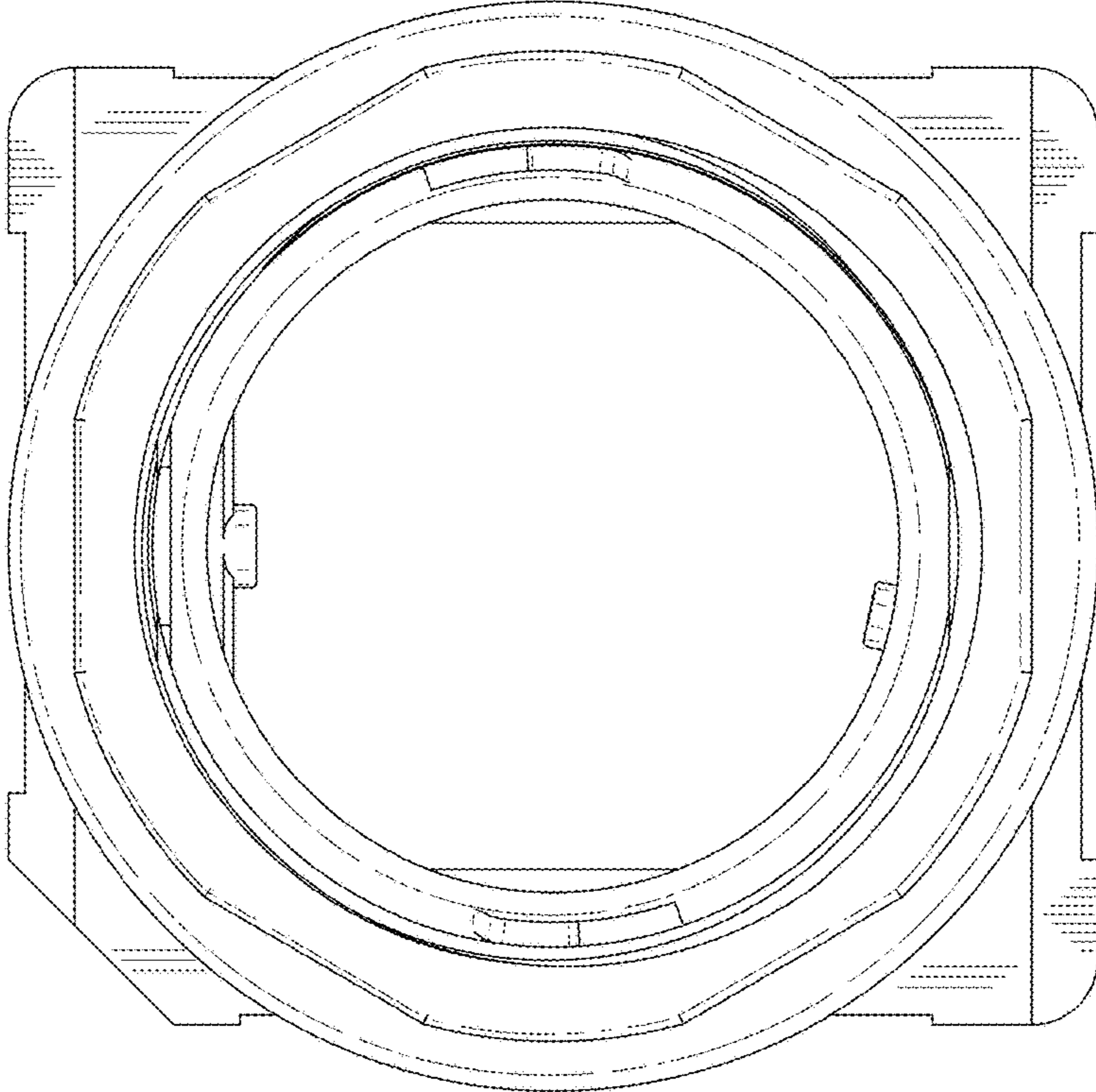


FIG.1

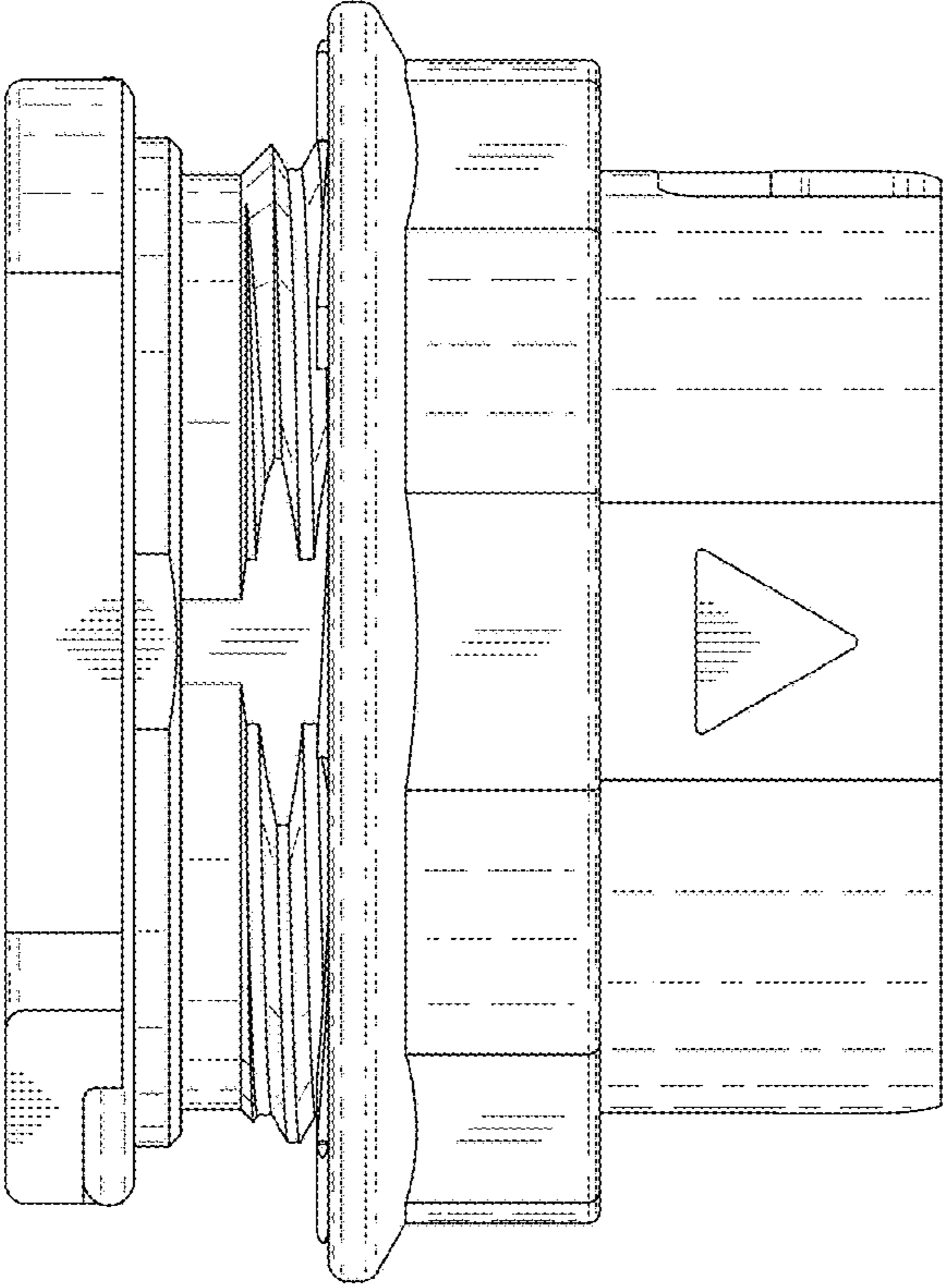


FIG.2

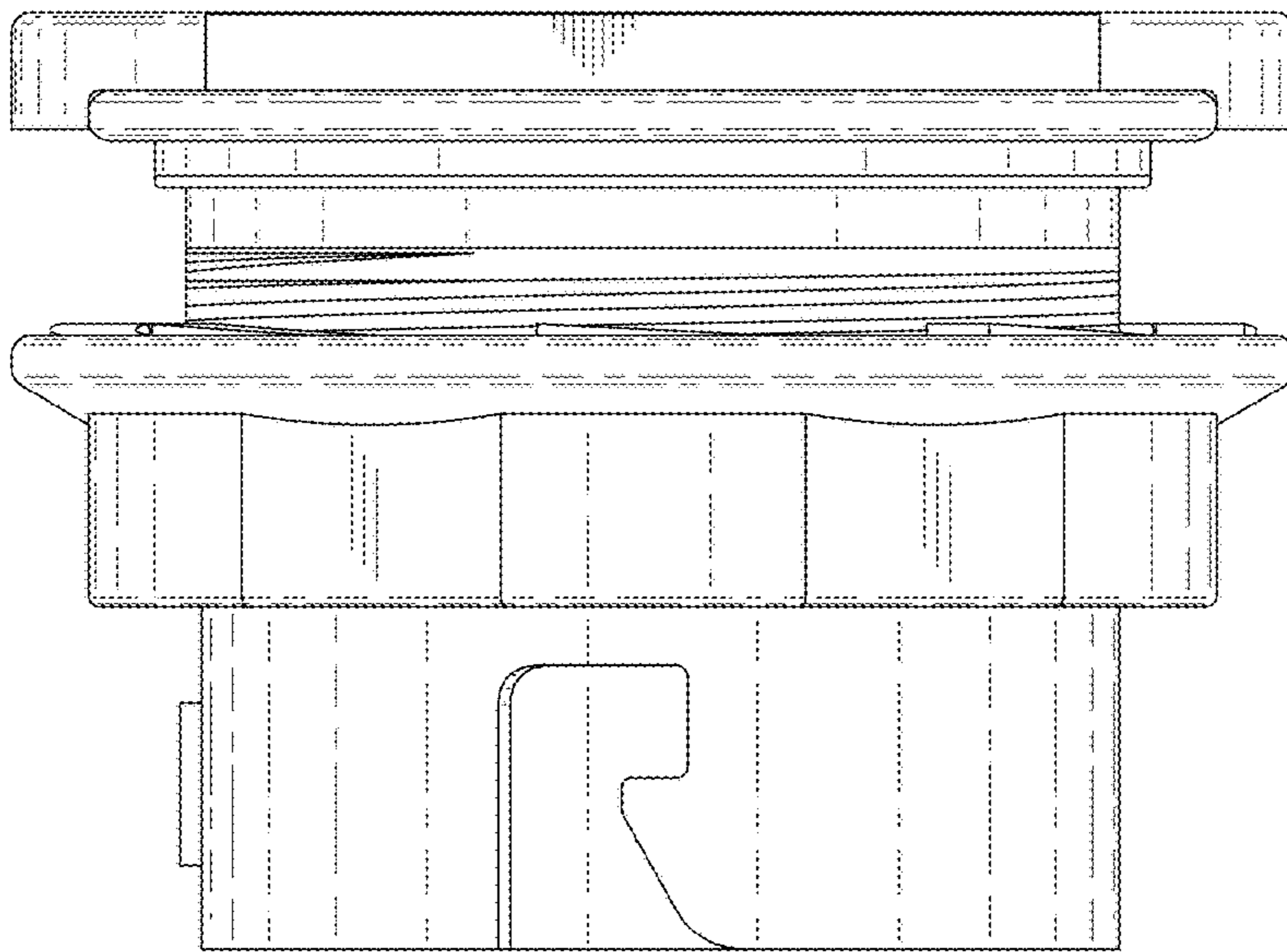


FIG.3

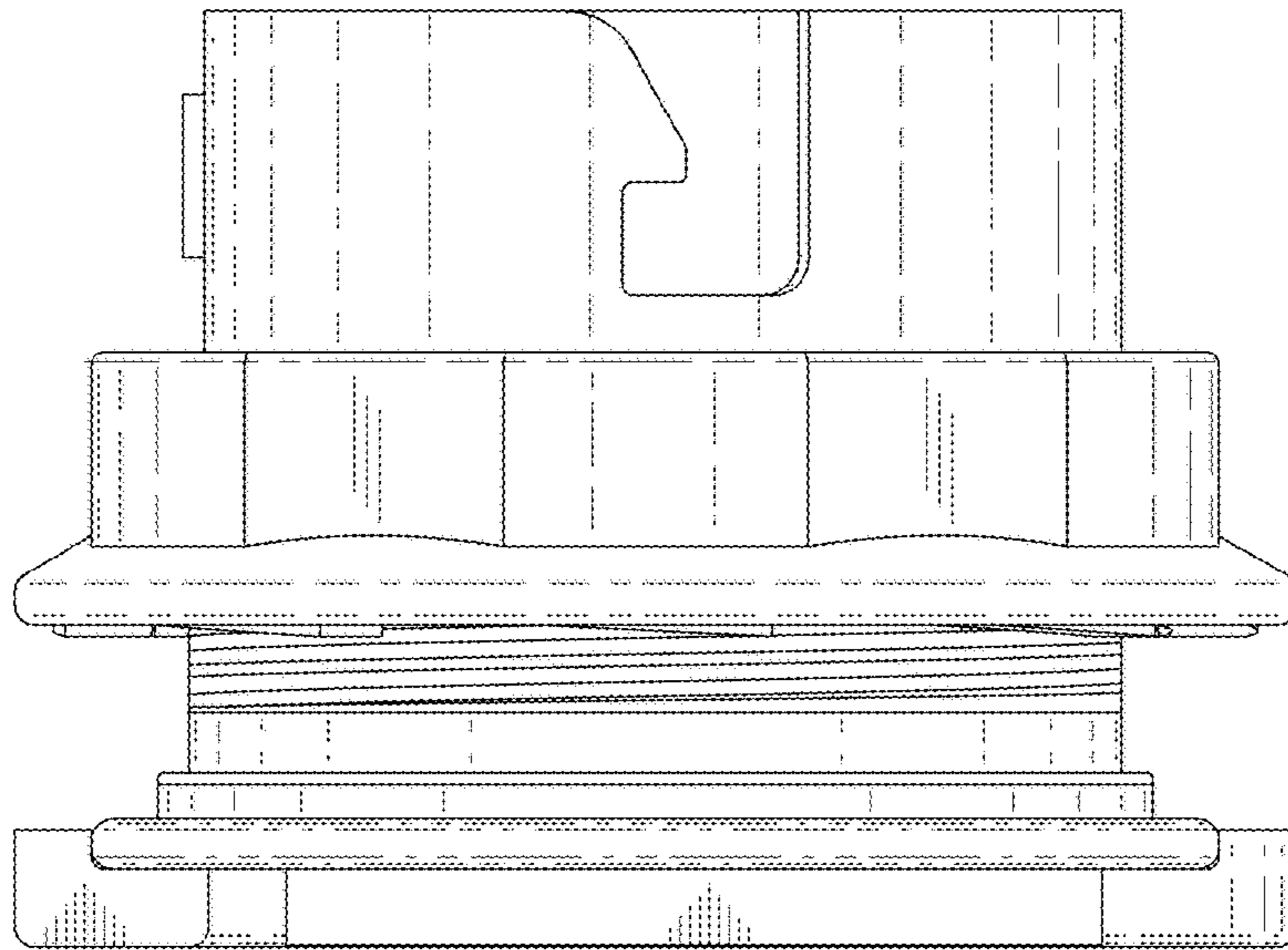


FIG.4

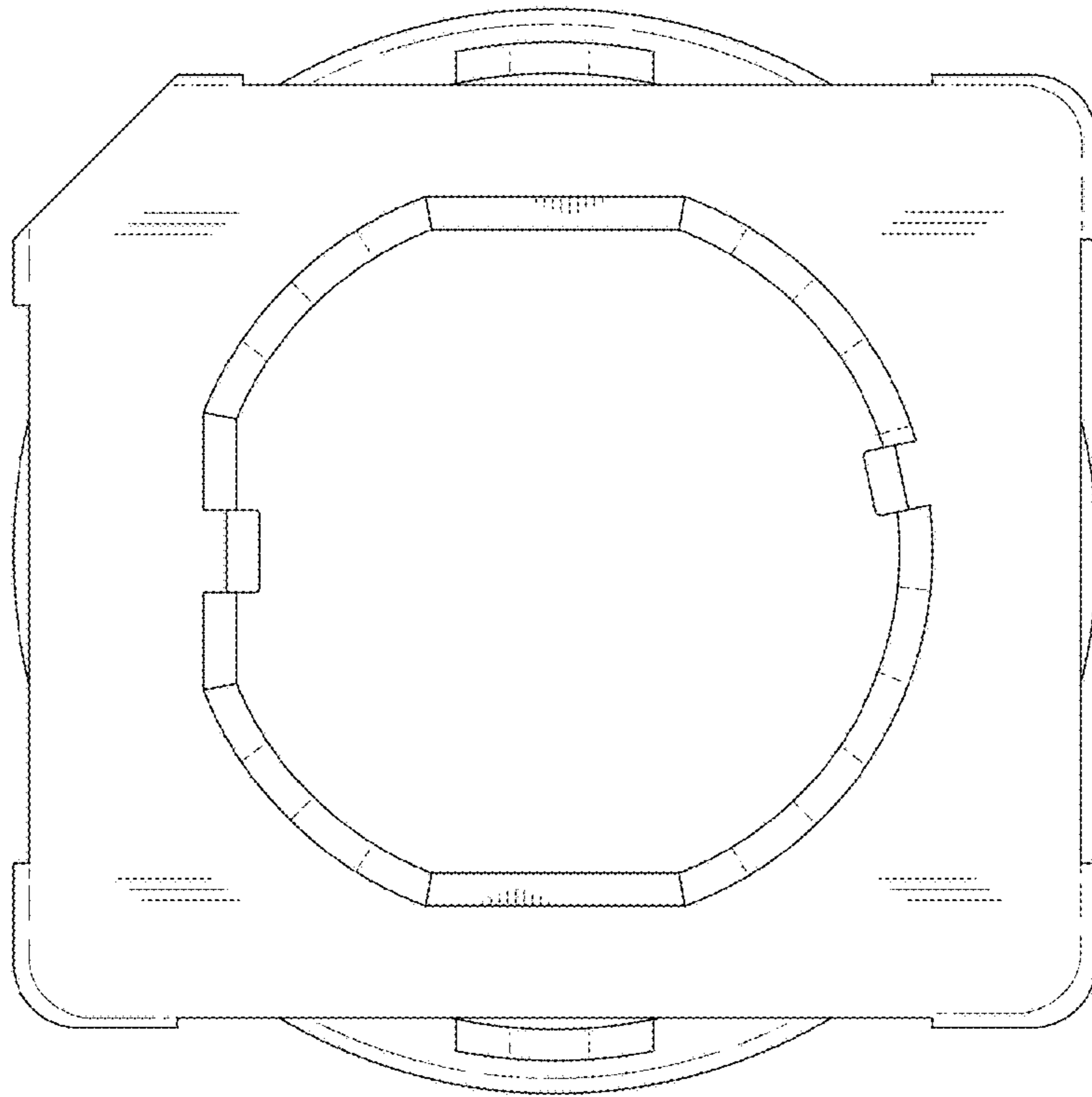


FIG.5

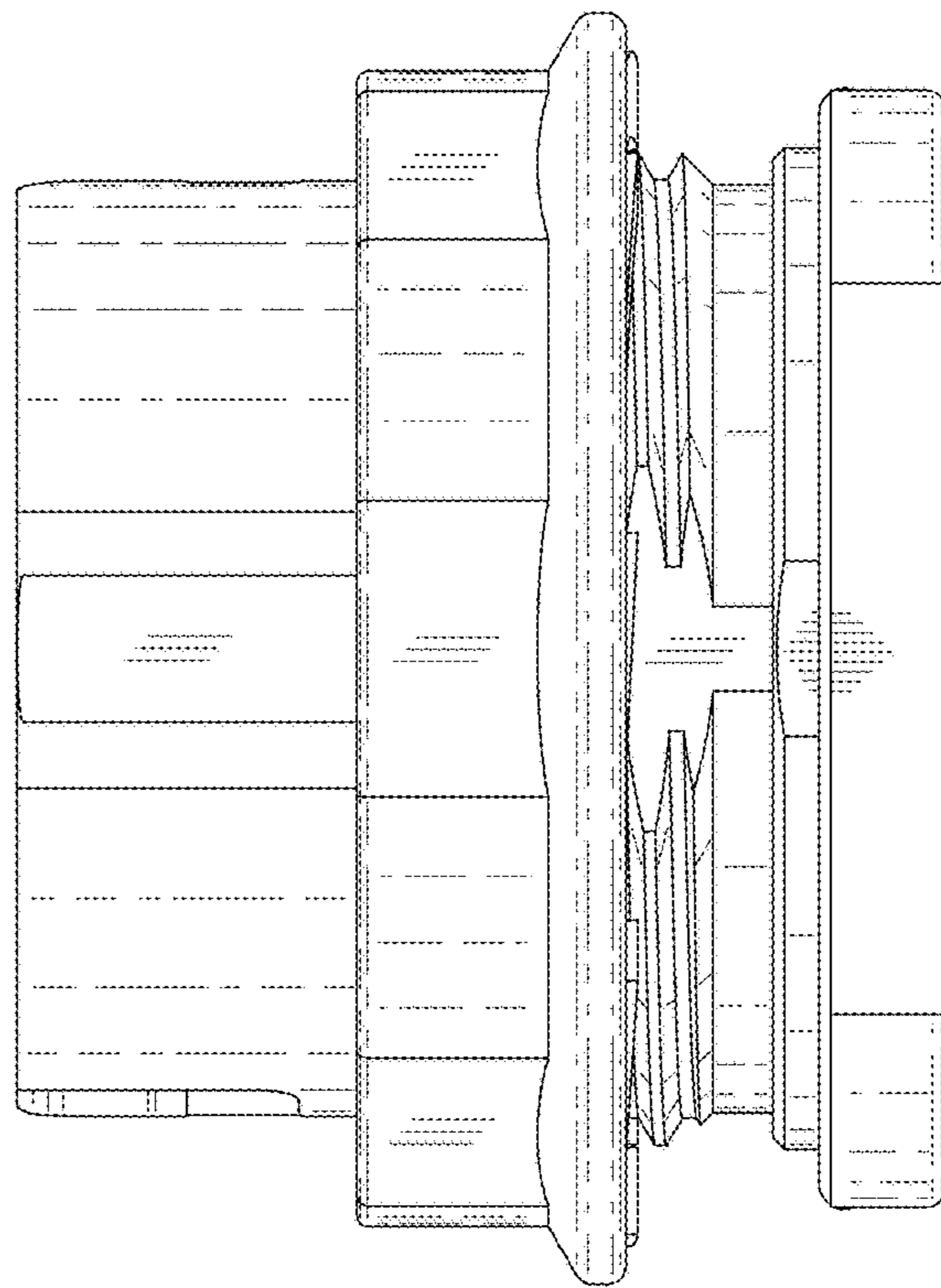


FIG.6

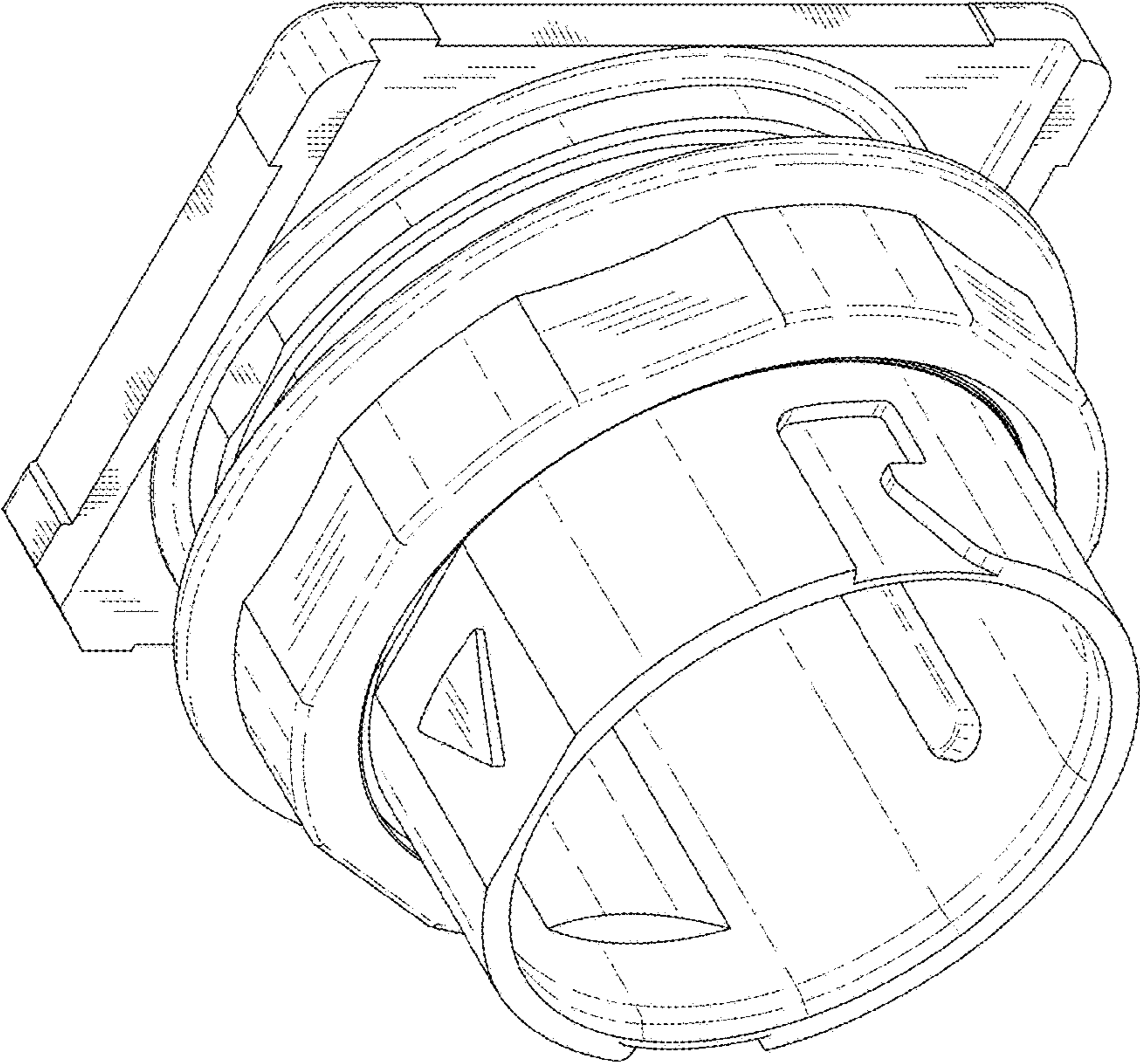


FIG.7

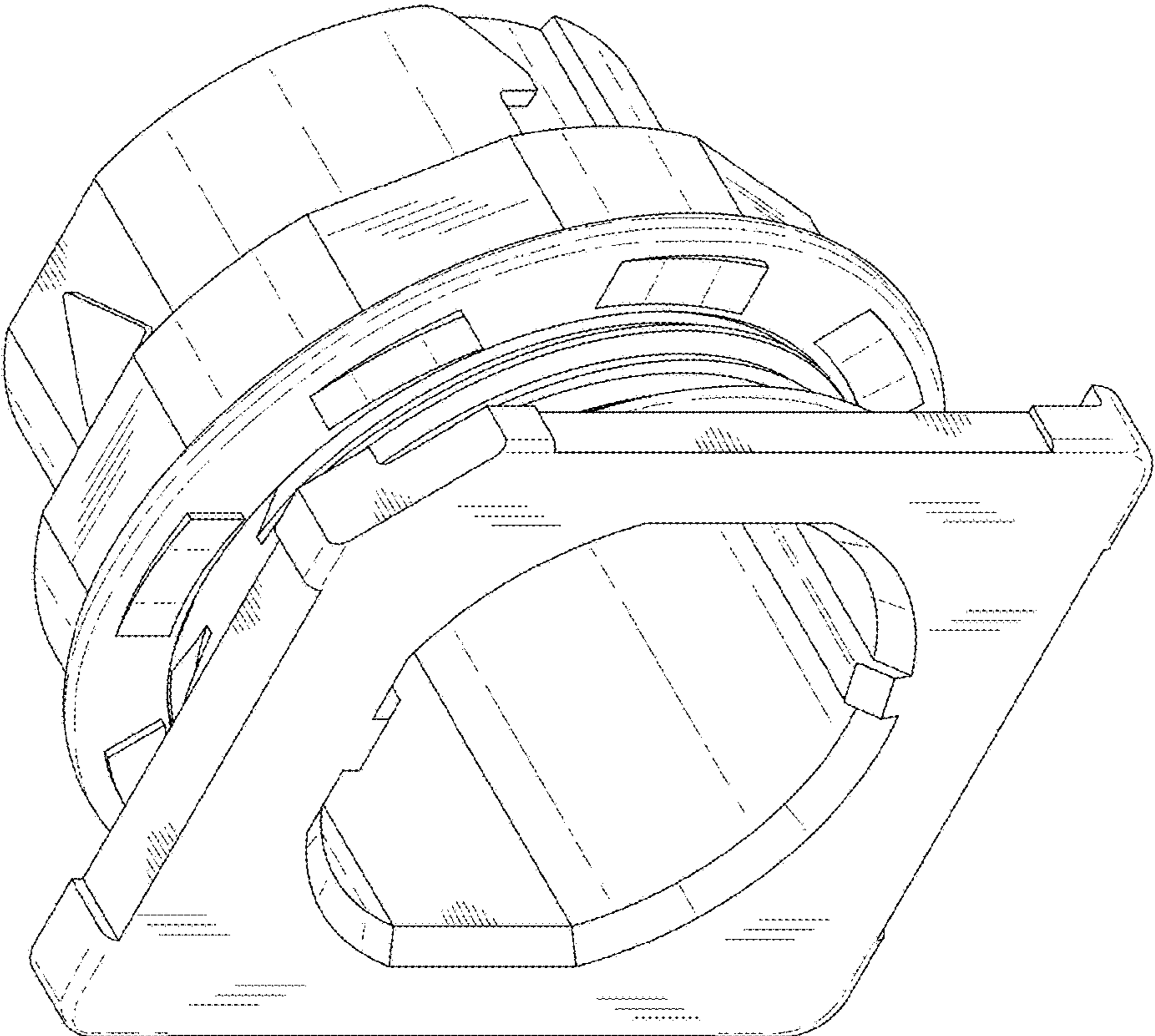


FIG.8

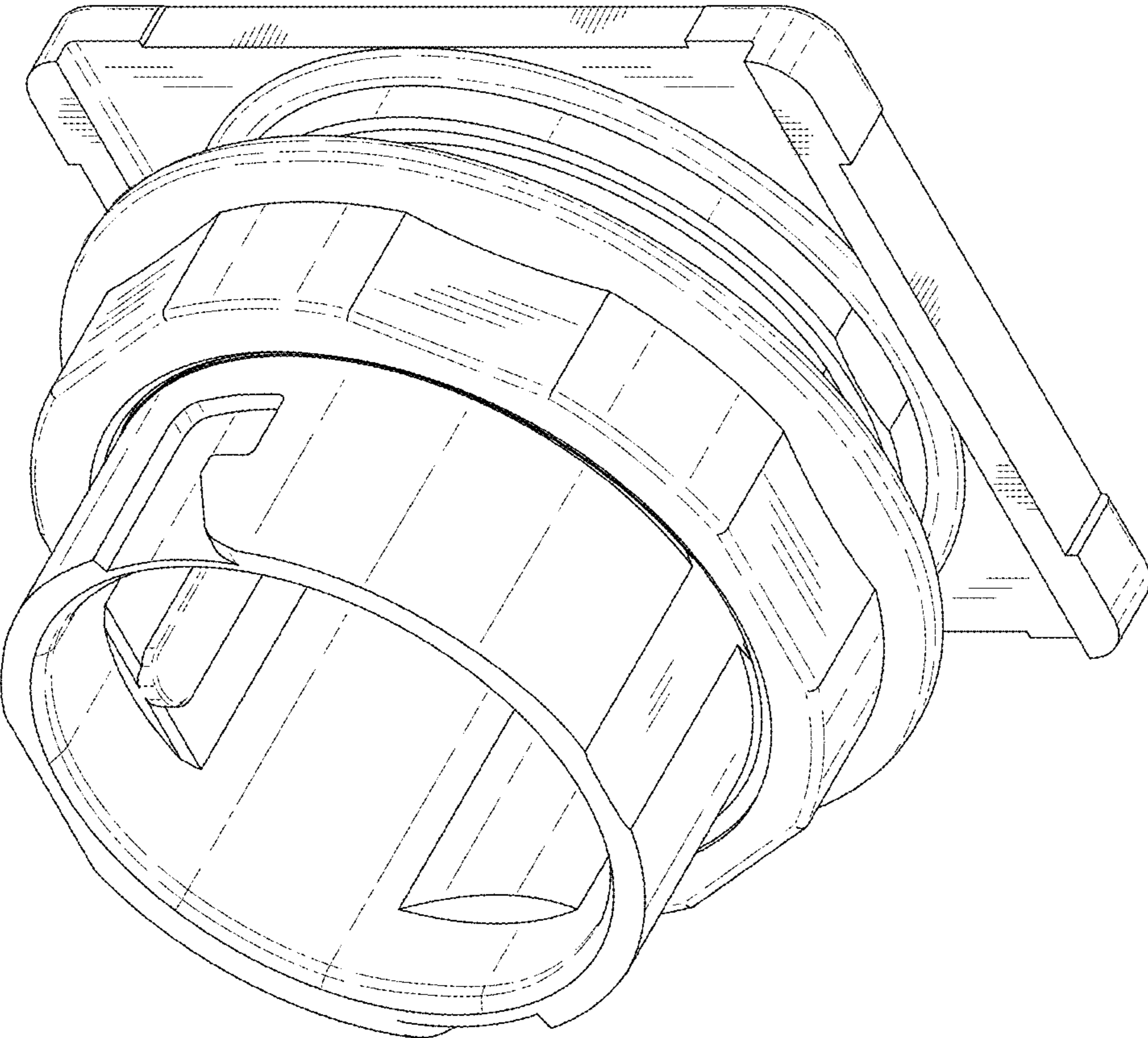


FIG.9

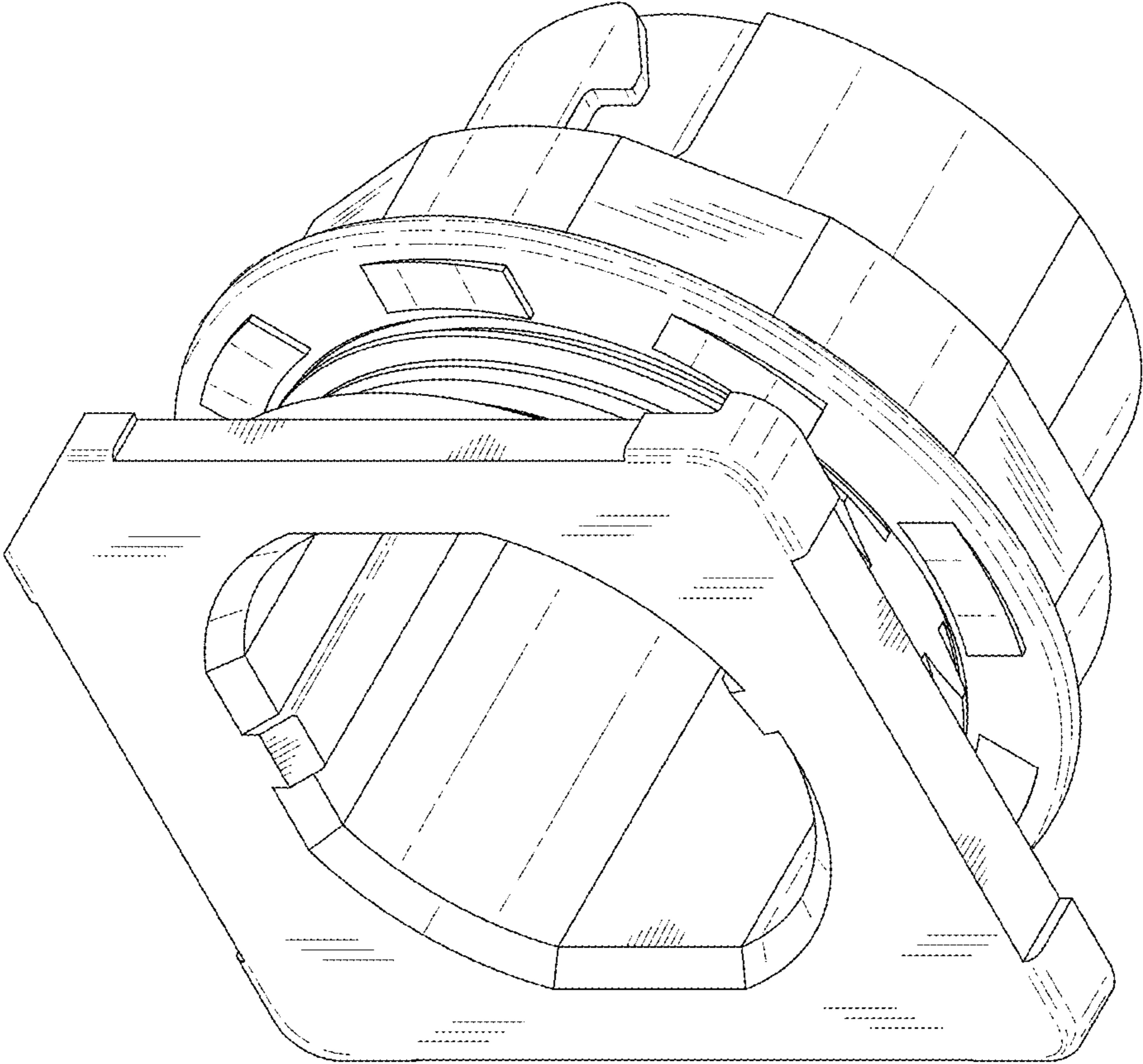


FIG.10