



US00D777103S

(12) **United States Design Patent**
Park

(10) **Patent No.:** **US D777,103 S**

(45) **Date of Patent:** **** Jan. 24, 2017**

(54) **CHARGER**

(71) Applicant: **Samsung Electronics Co., Ltd.**,
Suwon-si (KR)

(72) Inventor: **Dae-Yoeb Park**, Gimpo-si (KR)

(73) Assignee: **Samsung Electronics Co., Ltd.**,
Suwon-si (KR)

(**) Term: **15 Years**

(21) Appl. No.: **29/532,327**

(22) Filed: **Jul. 6, 2015**

(30) **Foreign Application Priority Data**

Jan. 6, 2015 (KR) 30-2015-0000392

(51) **LOC (10) Cl.** **13-02**

(52) **U.S. Cl.**
USPC **D13/108**

(58) **Field of Classification Search**
USPC D13/107-110, 118-119, 184; D14/251,
D14/253, 432, 434

CPC Y02E 60/12; Y02T 90/14; Y02T 90/122;
Y02T 90/128; Y02T 90/163; H02J 7/025;
H02J 7/0042; H02J 7/0044; H02J 7/0045;
H02J 7/0003; H01F 38/14; H01R
13/6675; H01M 2/1022; H01M 2/1055;
H01M 10/44; H01M 10/46; H01M
10/425; B60L 11/182

See application file for complete search history.

(56) **References Cited**

U.S. PATENT DOCUMENTS

D620,884 S * 8/2010 Lee D13/108
D625,262 S * 10/2010 Lee D13/118
D636,724 S * 4/2011 Nomi D13/108
D654,431 S * 2/2012 Stephanchick D13/108
D654,866 S * 2/2012 Rautiainen D13/108

D668,605 S * 10/2012 Park D13/108
D694,182 S * 11/2013 Lee D13/108
D694,707 S * 12/2013 Zeng D13/108
D696,190 S * 12/2013 Brandtman D13/108
D697,027 S * 1/2014 Ho D13/108
D718,233 S * 11/2014 Aumiller D13/108
D718,236 S * 11/2014 Murray D13/108
D719,146 S * 12/2014 Herbst D14/253
D720,288 S * 12/2014 Ko D13/108
D720,289 S * 12/2014 Chiang D13/108
D725,034 S * 3/2015 Chen D13/108
D727,260 S * 4/2015 Aumiller D13/108
D735,131 S * 7/2015 Akana D13/108
D737,760 S * 9/2015 Kyriakoulis D13/108
D740,750 S * 10/2015 Mayden D13/108
D741,256 S * 10/2015 Murphy-Reinhertz D13/108
D742,823 S * 11/2015 Nitz D13/103
D746,772 S * 1/2016 Aumiller D13/108

(Continued)

Primary Examiner — Rosemary K Tarcza

Assistant Examiner — Nathaniel D Buckner

(74) *Attorney, Agent, or Firm* — NSIP Law

(57) **CLAIM**

I claim the ornamental design for a charger, as shown and described.

DESCRIPTION

FIG. 1 is a front perspective view of a charger showing my new design;

FIG. 2 is a front view thereof;

FIG. 3 is a rear view thereof;

FIG. 4 is a left-side view thereof;

FIG. 5 is a right-side view thereof;

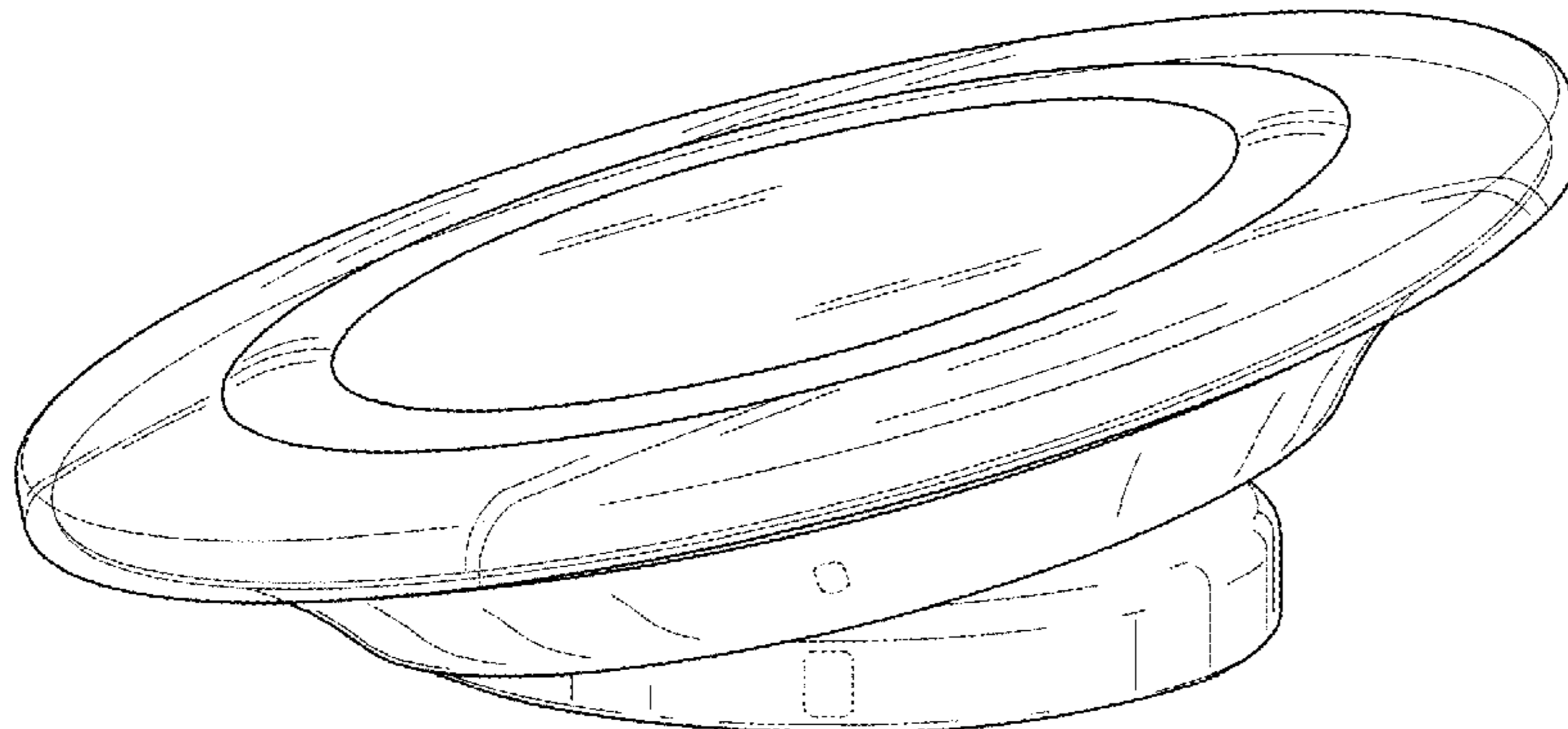
FIG. 6 is a top view thereof;

FIG. 7 is a bottom view thereof; and,

FIG. 8 is a perspective view of the charger shown in an alternate position.

The broken lines in the figures show portions of the charger which form no part of the claimed design.

1 Claim, 7 Drawing Sheets



(56)

References Cited

U.S. PATENT DOCUMENTS

D747,267 S *	1/2016	Aumiller	D13/108
D748,575 S *	2/2016	Bulgarov	D13/108
D749,044 S *	2/2016	Huang	D13/108
D749,504 S *	2/2016	Jeong	D13/108

* cited by examiner

FIG. 1

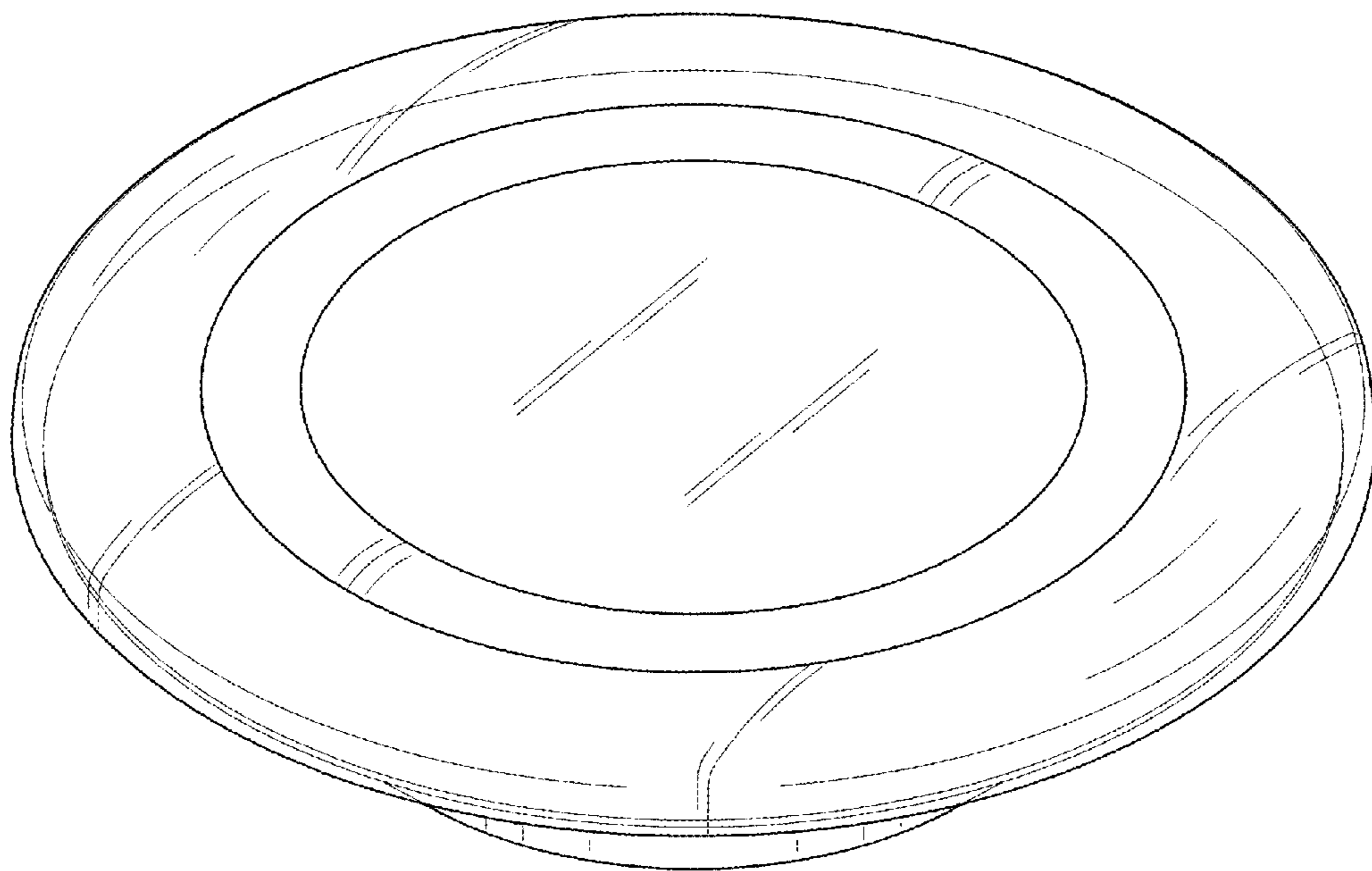


FIG. 2

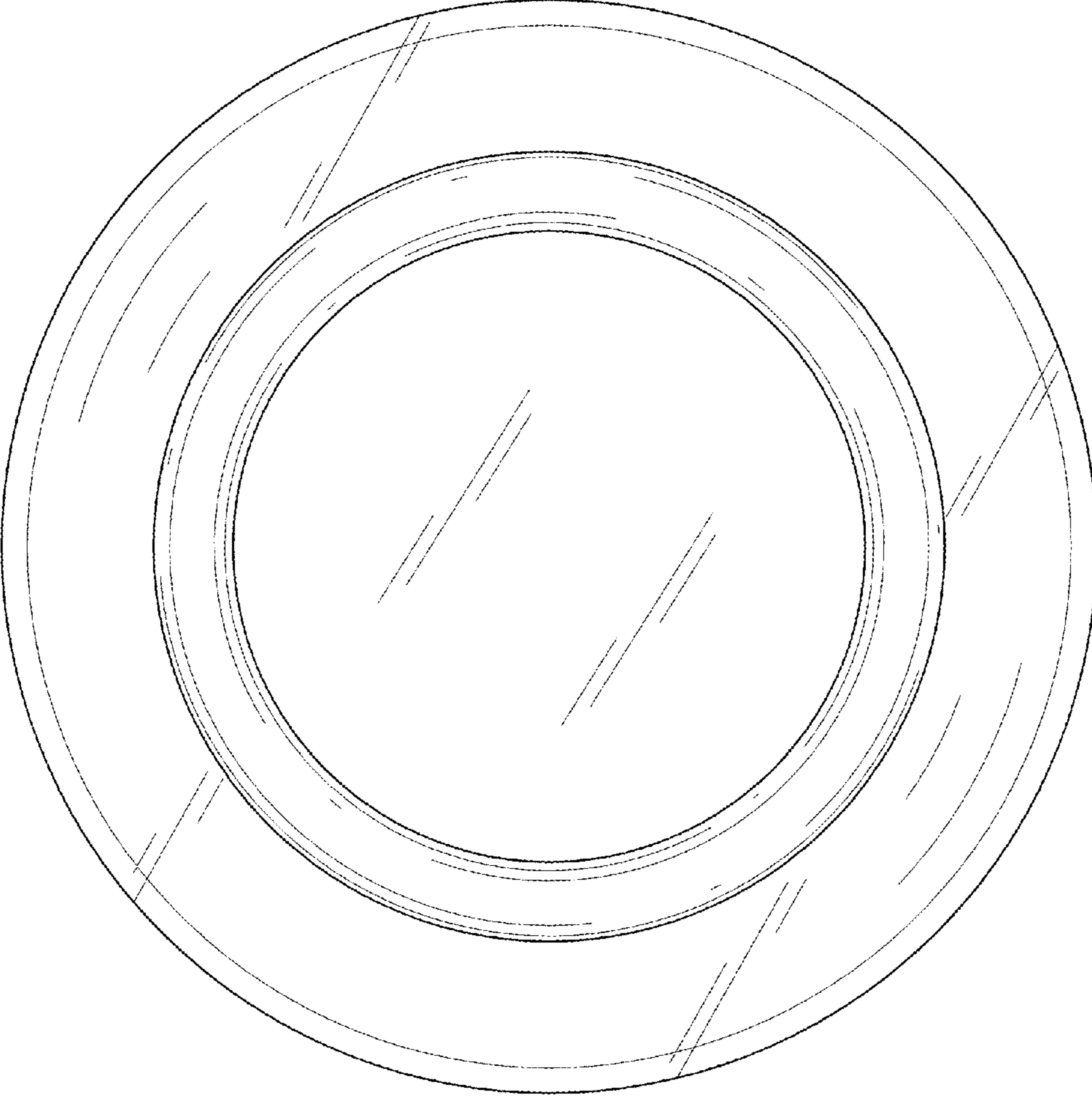


FIG. 3

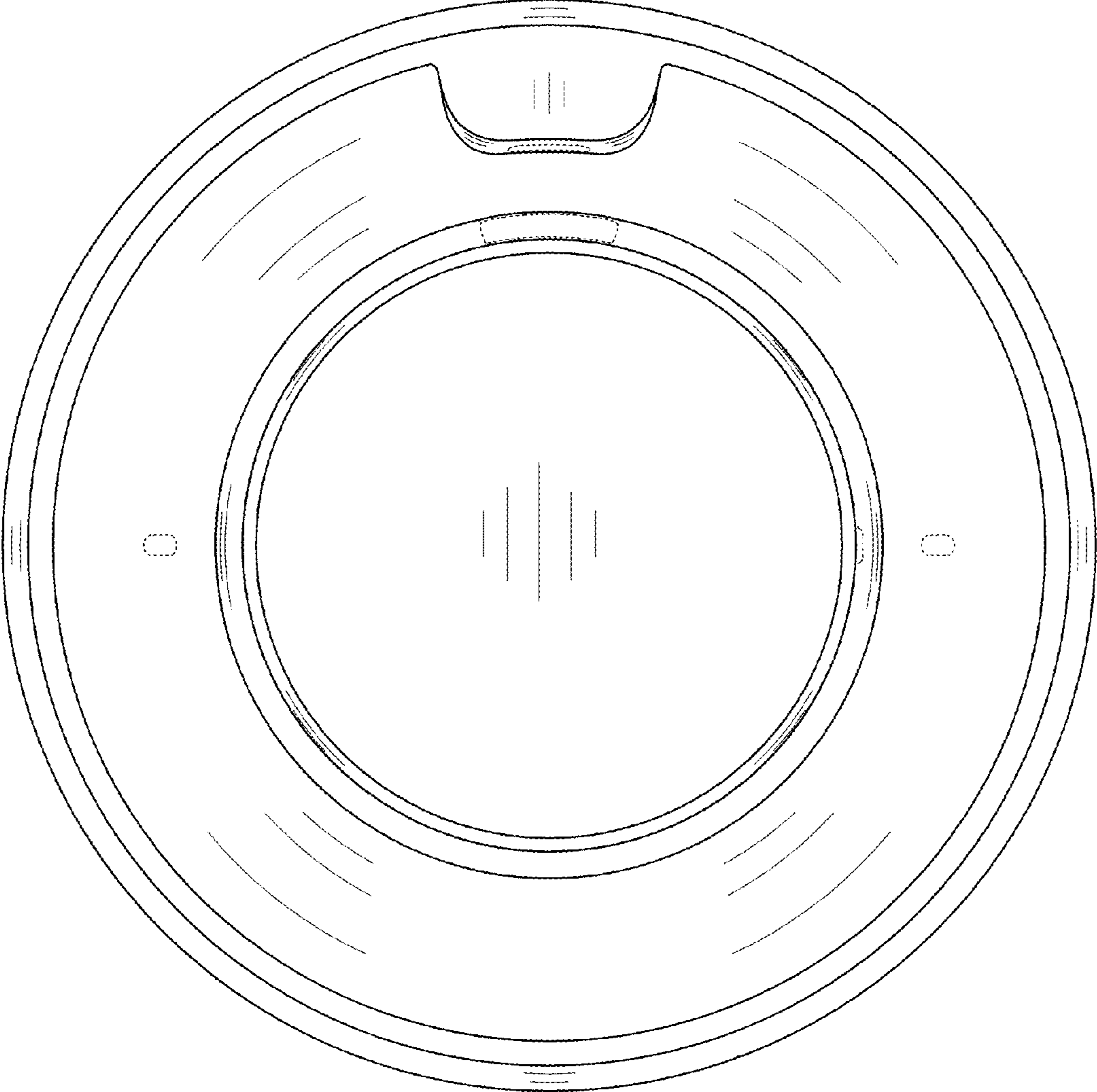


FIG. 4

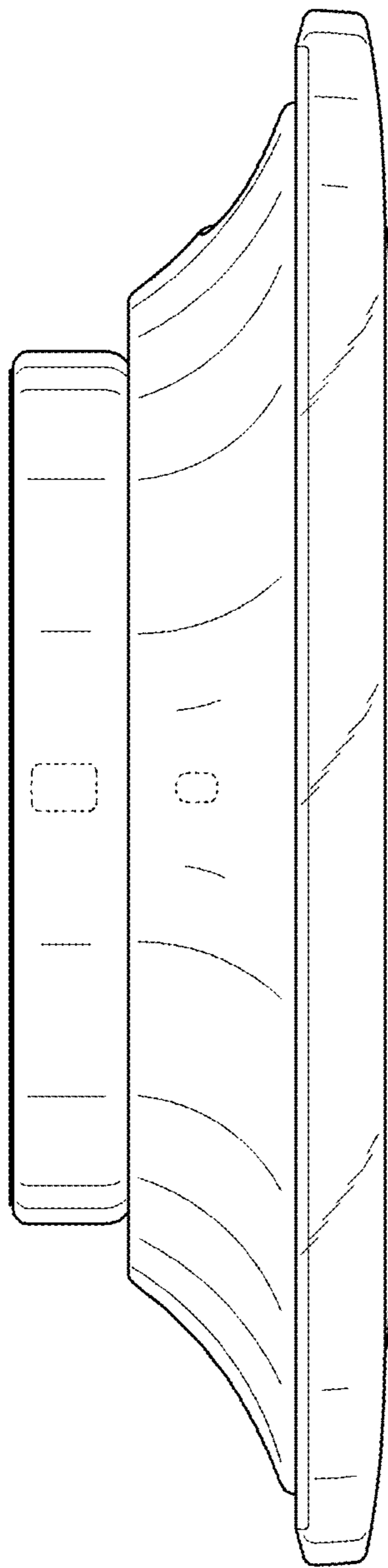


FIG. 5

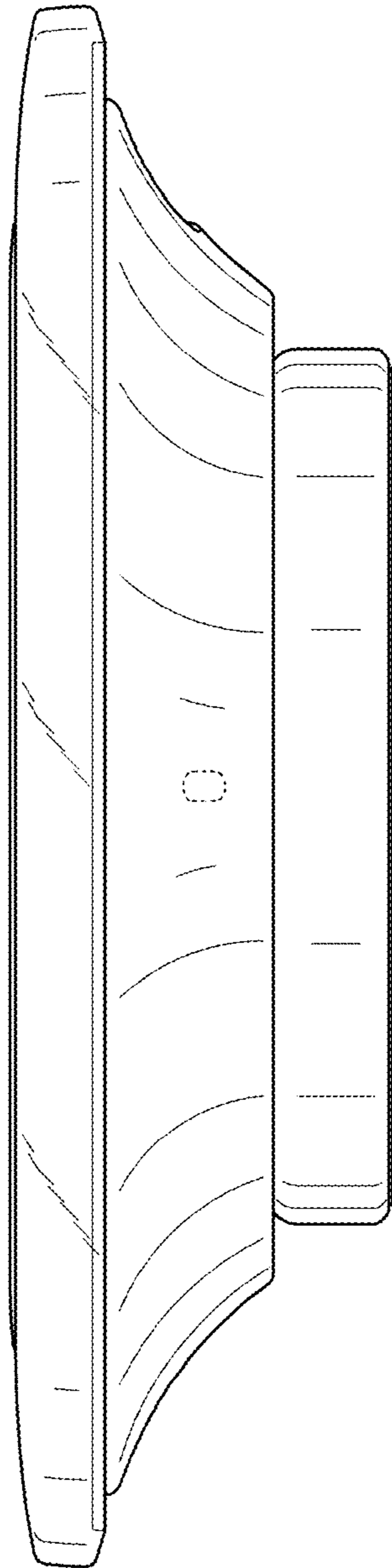


FIG. 6

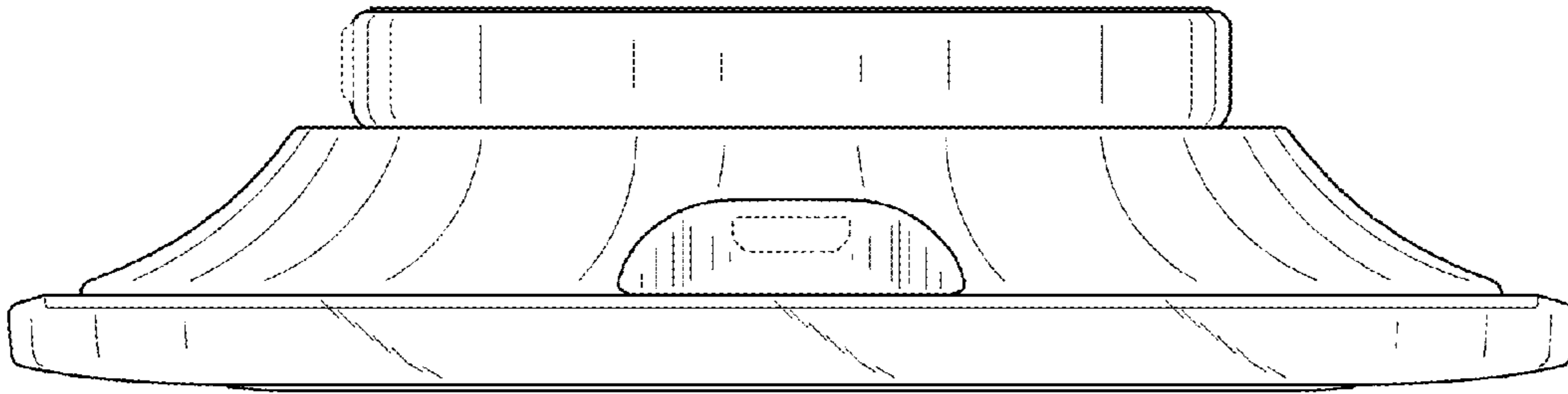


FIG. 7

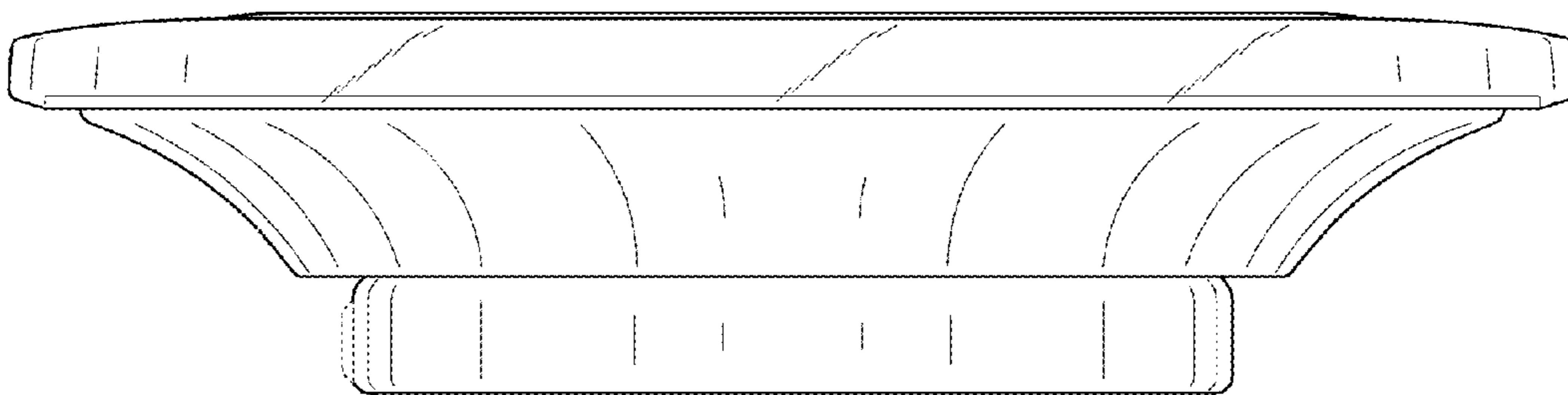


FIG. 8

