



US00D777101S

(12) **United States Design Patent** (10) **Patent No.:** **US D777,101 S**  
**Shimada** (45) **Date of Patent:** **\*\* Jan. 24, 2017**

(54) **CHARGER FOR ELECTRIC VEHICLES**

(71) Applicant: **Azumi Shimada**, Tokyo (JP)

(72) Inventor: **Azumi Shimada**, Tokyo (JP)

(73) Assignee: **mitsubishi denki kabushiki kaisha**, Tokyo (JP)

(\*\*) Term: **14 Years**

(21) Appl. No.: **29/508,665**

(22) Filed: **Nov. 10, 2014**

**Related U.S. Application Data**

(62) Division of application No. 29/444,540, filed on Jan. 31, 2013, now Pat. No. Des. 734,249.

(51) **LOC (10) Cl.** ..... **13-02**

(52) **U.S. Cl.**  
USPC ..... **D13/107**

(58) **Field of Classification Search**  
USPC ..... D13/107, 108, 110, 123; 320/109;  
137/355.16-355.18

CPC ..... B60L 11/1809-11/1812; B60L 11/1824;  
Y02T 10/7088-10/7094

See application file for complete search history.

(56) **References Cited**

**U.S. PATENT DOCUMENTS**

- 1,752,048 A \* 3/1930 Woodford ..... B60S 5/043  
137/355.18
- 2,157,887 A \* 5/1939 Davis ..... B05B 15/12  
137/355.17
- 6,459,234 B2 10/2002 Kajiura
- D626,064 S 10/2010 Cutter et al.
- D629,747 S 12/2010 Rajakaruna
- D654,430 S 2/2012 Demers et al.

- D709,827 S 7/2014 Kang et al.
- D720,285 S \* 12/2014 Gilomen ..... D13/107
- D729,157 S \* 5/2015 Gilomen ..... D13/107
- D729,158 S \* 5/2015 Gilomen ..... D13/107
- D730,821 S \* 6/2015 Chin-Ho Kim ..... D13/107
- D730,822 S \* 6/2015 Chin-Ho Kim ..... D13/107
- D731,414 S \* 6/2015 Chin-Ho Kim ..... D13/107
- D733,647 S \* 7/2015 Farrell ..... D13/107
- D733,649 S \* 7/2015 Behar ..... D13/107
- 2001/0003416 A1 6/2001 Kajiura
- 2012/0181984 A1 7/2012 Okabayashi et al.
- 2013/0335021 A1 12/2013 Meier
- 2014/0028255 A1 1/2014 Brimacombe

\* cited by examiner

*Primary Examiner* — Susan Bennett Hattan

*Assistant Examiner* — Brett Miller

(74) *Attorney, Agent, or Firm* — Sughrue Mion, PLLC;  
Richard C. Turner

(57) **CLAIM**

The ornamental design for a charger for electric vehicles, as shown and described.

**DESCRIPTION**

FIG. 1 is a front, top and right side perspective view of an embodiment of our new design;  
 FIG. 2 is a rear, top and left side perspective view thereof;  
 FIG. 3 is a front elevational view thereof;  
 FIG. 4 is a rear elevational view thereof;  
 FIG. 5 is a left side elevational view thereof;  
 FIG. 6 is a right side elevational view thereof;  
 FIG. 7 is a top plan view thereof;  
 FIG. 8 is a bottom plan view thereof; and,  
 FIG. 9 is a cross-sectional view thereof; taken along line 9-9 of FIG. 7, with the internal system omitted.  
 The broken lines depict environmental subject matter that forms no part of the claim.

**1 Claim, 5 Drawing Sheets**

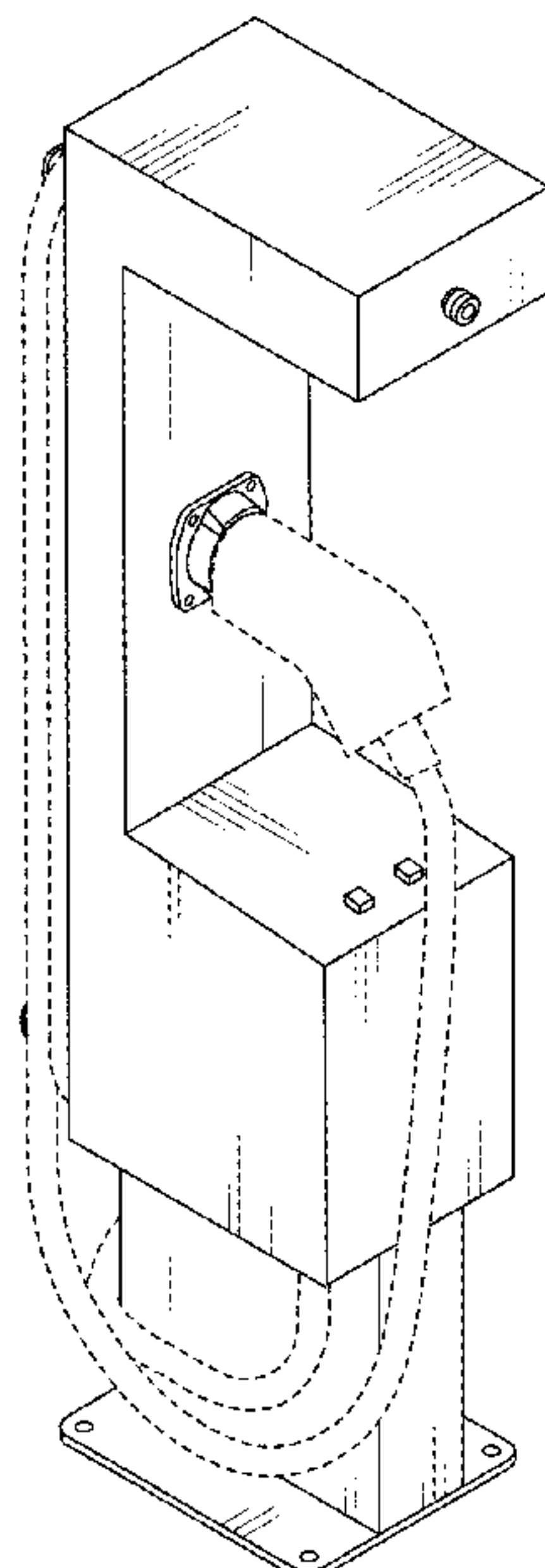


FIG. 1

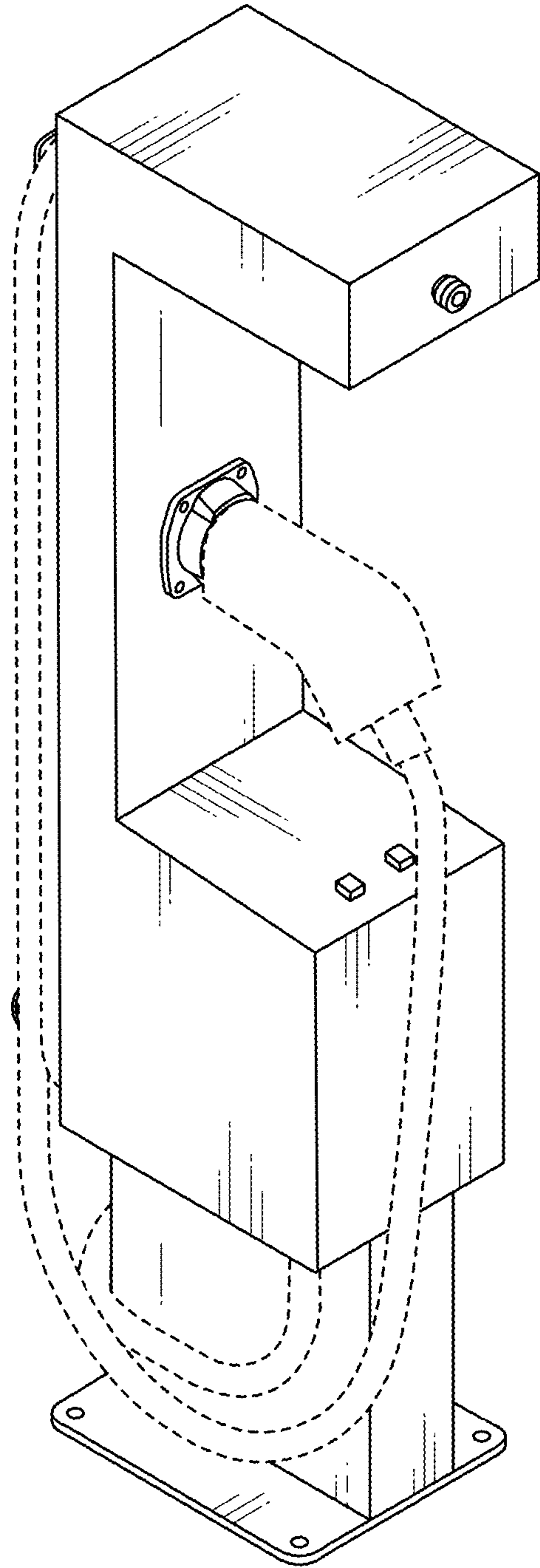


FIG. 2

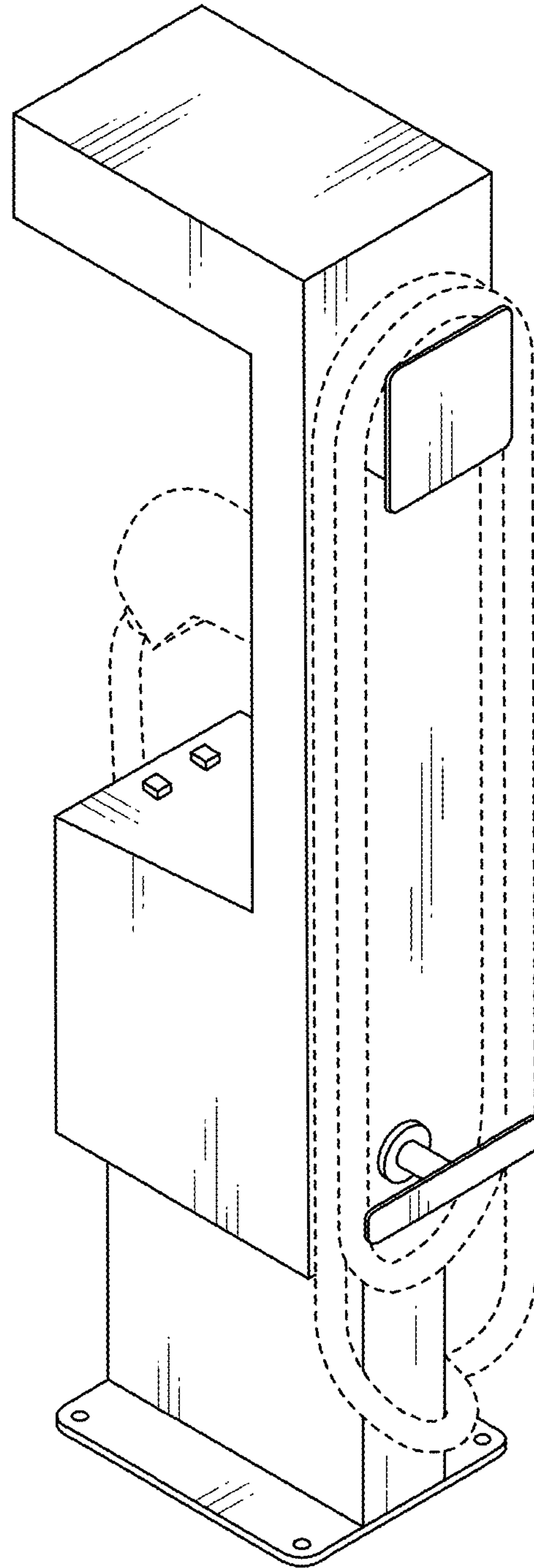


FIG. 3

FIG. 4

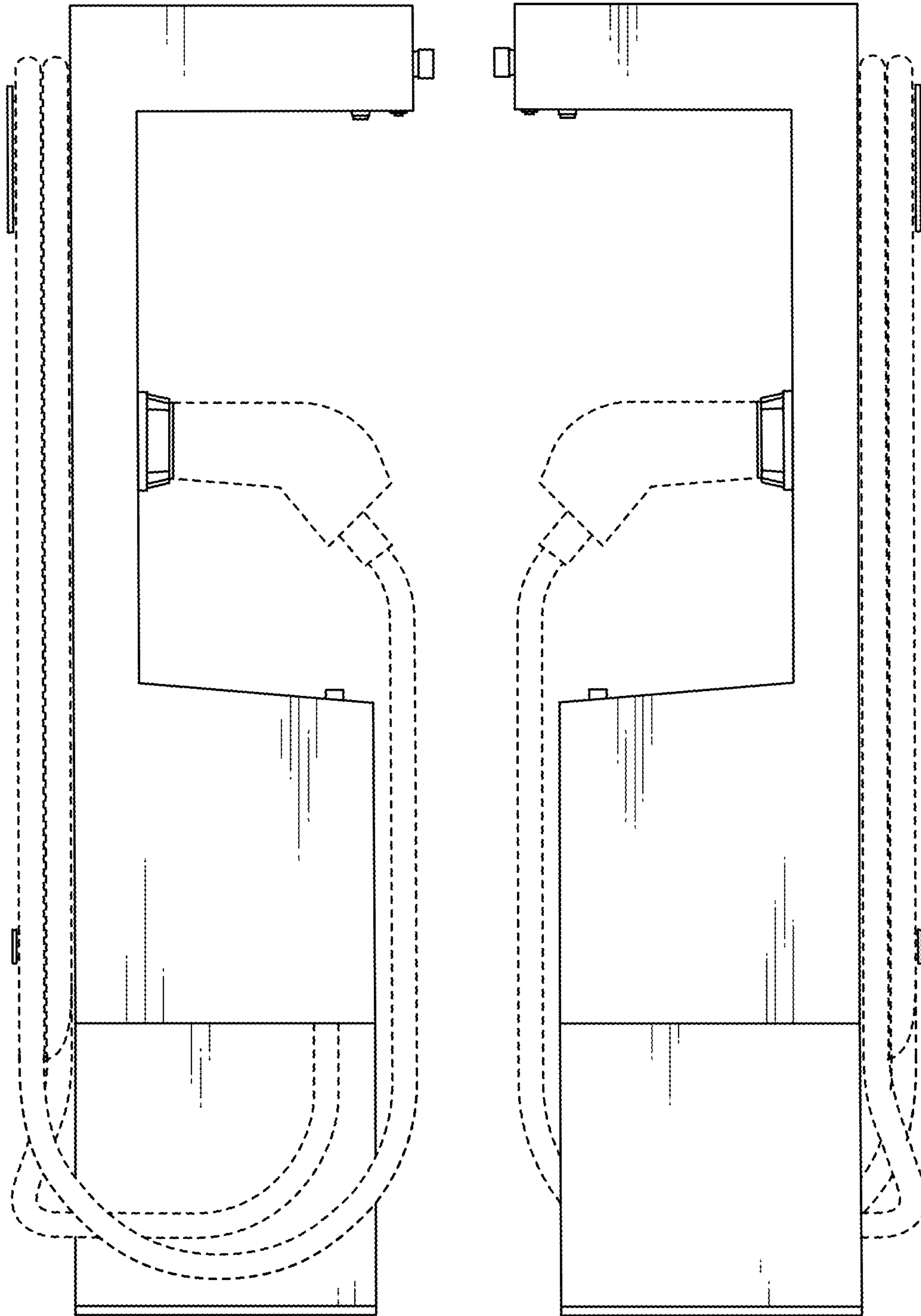


FIG. 5

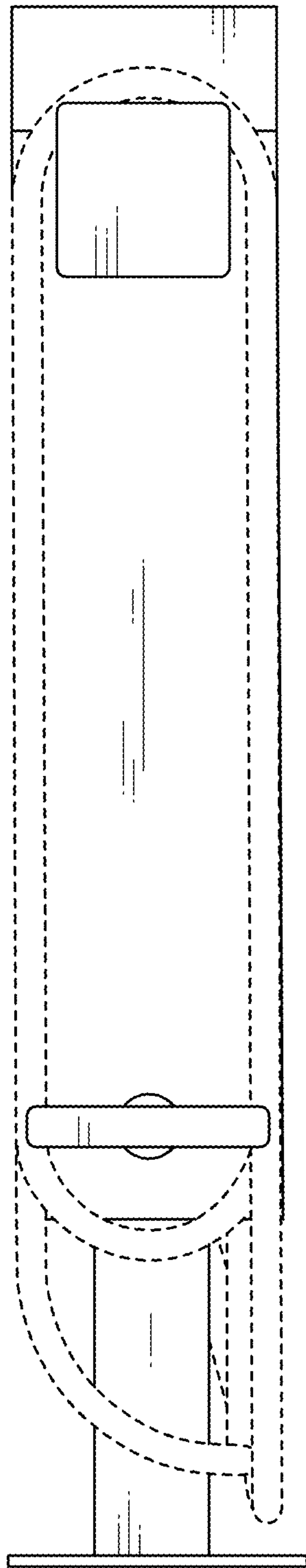


FIG. 6

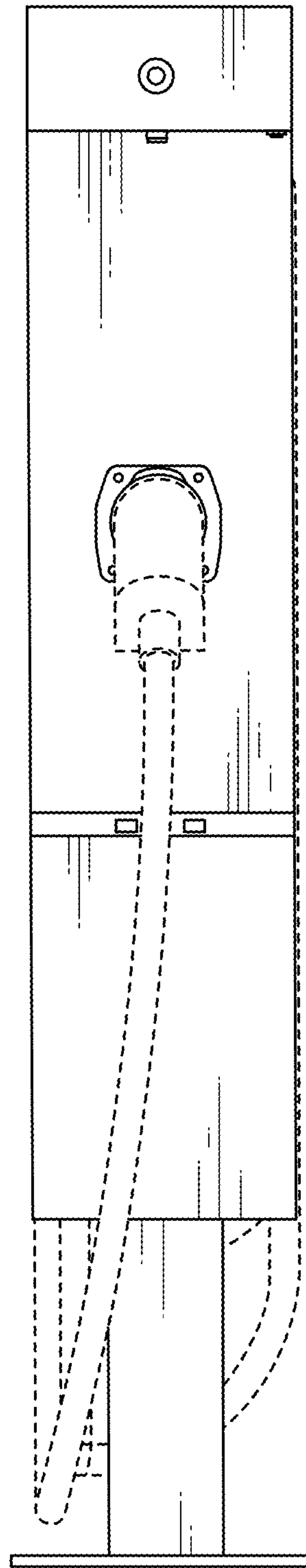


FIG. 7

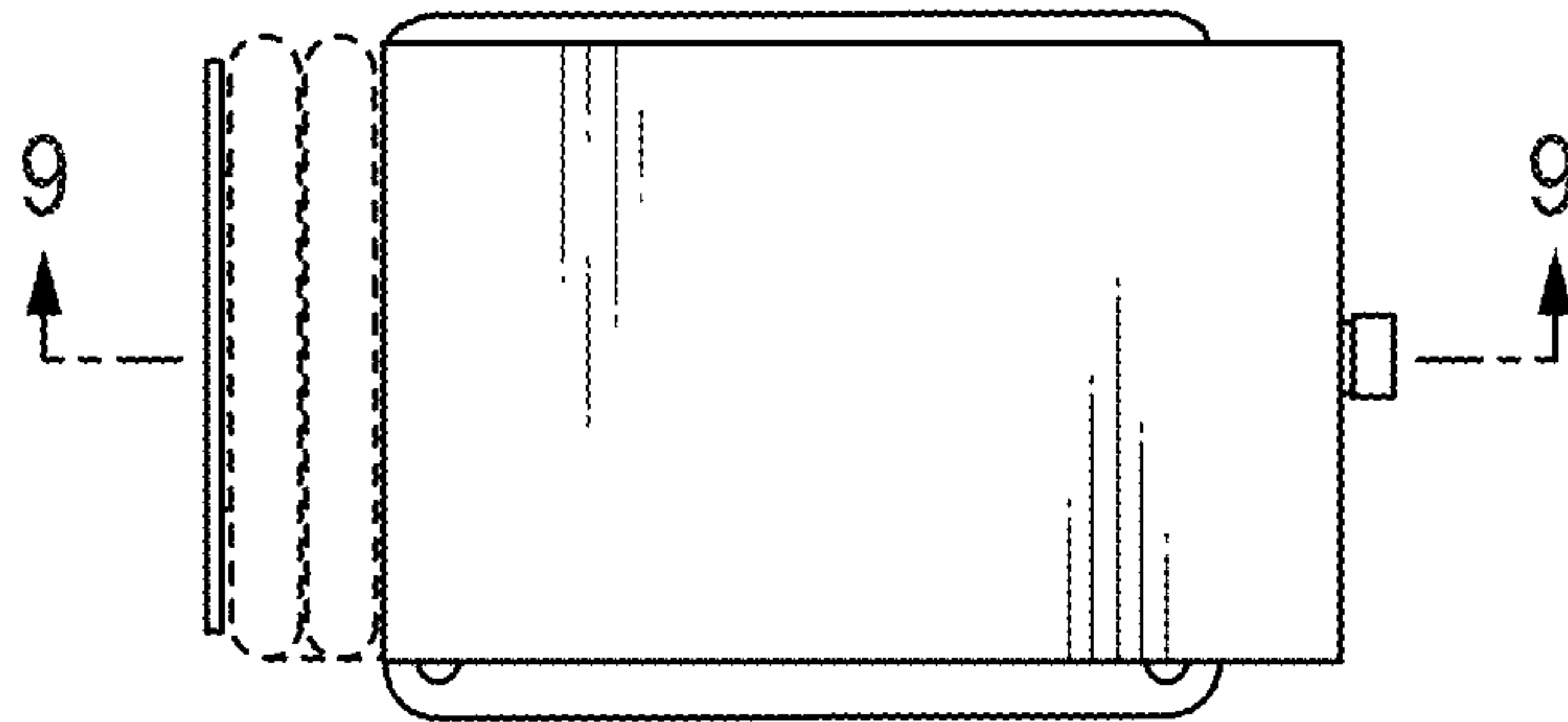


FIG. 8

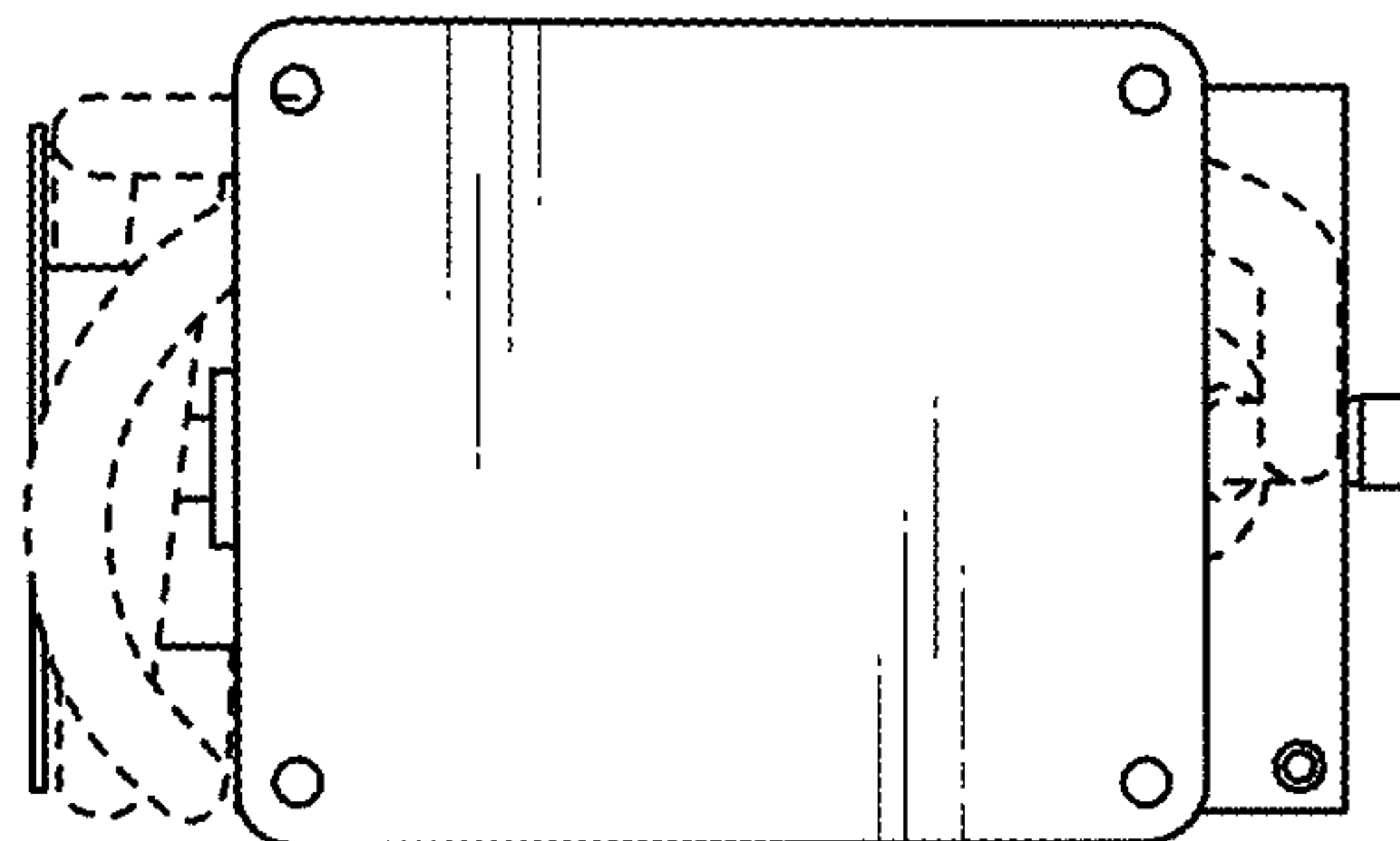




FIG. 9

