



US00D777100S

(12) **United States Design Patent** (10) **Patent No.:** **US D777,100 S**
Price (45) **Date of Patent:** **** Jan. 24, 2017**

(54) **BATTERY PACK**
(71) Applicant: **DURACELL U.S. OPERATIONS, INC.**, Wilmington, DE (US)
(72) Inventor: **Eric Justin Price**, Wilton, CT (US)
(73) Assignee: **DURACELL U.S. OPERATIONS, INC.**, Wilmington, DE (US)
(**) Term: **14 Years**

D353,130 S * 12/1994 Aldrich D13/102
D391,943 S * 3/1998 Han D14/356
D423,450 S * 4/2000 Buckle D13/103
D425,016 S * 5/2000 Buckle D13/103
D425,478 S * 5/2000 Buckle D13/103
D425,855 S * 5/2000 Buckle D13/103
D426,188 S * 6/2000 Buckle D13/103
D426,189 S * 6/2000 Buckle D13/103
D426,514 S * 6/2000 Buckle D13/103
D426,515 S * 6/2000 Buckle D13/103
D426,516 S * 6/2000 Buckle D13/103
D426,517 S * 6/2000 Buckle D13/103
D426,806 S * 6/2000 Buckle D13/103
D426,807 S * 6/2000 Buckle D13/103

(Continued)

(21) Appl. No.: **29/494,604**
(22) Filed: **Jun. 23, 2014**
(51) **LOC (10) Cl.** **13-02**
(52) **U.S. Cl.**
USPC **D13/103**
(58) **Field of Classification Search**
USPC D13/102-110, 118-119, 184, 199;
D14/356, 432; 429/96-100, 163, 176;
320/103, 111-115, 135, 138, 140
CPC Y02E 60/10; Y02E 60/12; Y02E 60/122;
Y02E 60/124; Y02E 60/50; H01M 2/02;
H01M 2/022; H01M 2/0202; H01M
2/0207; H01M 2/0212; H01M
2/1061; H01M 2/1022; H01M
2/1055; H01M 2/1066; H01M 2/105;
H01M 2/20; H01M 2/202; H01M 2/204;
H01M 2/206; H01M 10/44; H01M 10/46;
H01M 10/465; H01M 10/482; H01M
10/4257; H01M 10/0436; H01M 10/48;
H01M 2200/30; H01M 2250/30; H01M
2250/40; H02J 7/00; H02J 7/0003; H02J
7/0011; H02J 7/0013; H02J 7/0054; H02J
7/0055; H02J 7/0057; H02J 2007/0062
See application file for complete search history.

Primary Examiner — Rosemary K Tarcza
Assistant Examiner — Sanjeev Paul
(74) *Attorney, Agent, or Firm* — Marshall, Gerstein & Borun LLP

(57) **CLAIM**

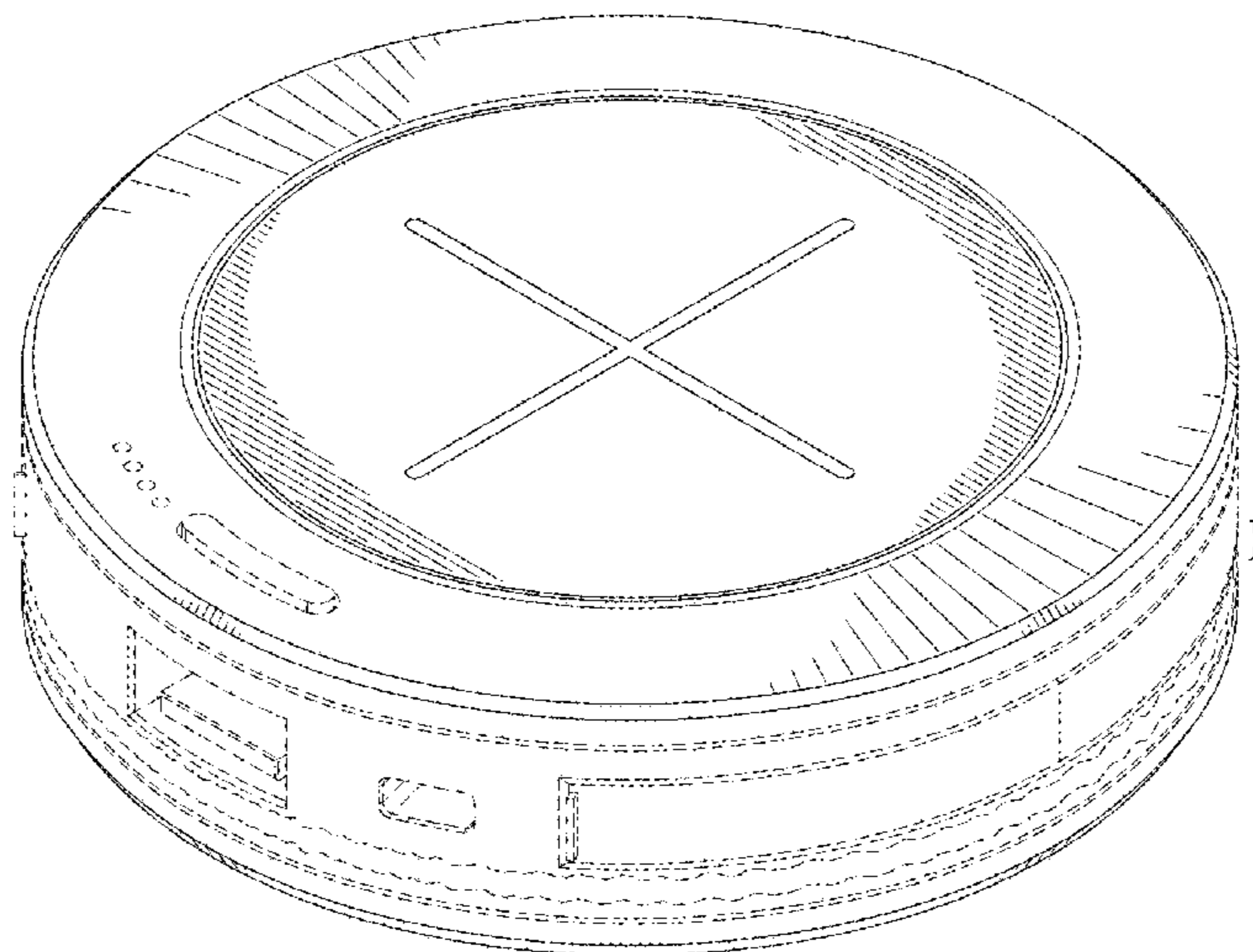
The ornamental design for a battery pack, as shown and described.

DESCRIPTION

FIG. 1 is a top perspective view of another design for a battery pack of the present invention; FIG. 2 is a front side view thereof; FIG. 3 is a back side view thereof; FIG. 4 is a right view thereof; FIG. 5 is a left view thereof; FIG. 6 is a top view thereof; and, FIG. 7 is a bottom view thereof. The broken lines shown in the drawings are included for the purpose of illustrating portions of the battery pack that form no part of the claimed design. The appearance of any portion of the battery pack between the break lines form no part of the claimed design.

(56) **References Cited**
U.S. PATENT DOCUMENTS
D118,597 S * 1/1940 Knauss D13/103
3,615,867 A * 10/1971 Cich H01M 2/204
29/623.1

1 Claim, 4 Drawing Sheets



(56)

References Cited

U.S. PATENT DOCUMENTS

D427,144 S *	6/2000	Buckle	D13/103	D717,244 S *	11/2014	Reishus	D13/108
D433,994 S *	11/2000	Jobs	D13/110	D718,233 S *	11/2014	Aumiller	D13/108
D439,561 S	3/2001	Lee, IV et al.		D718,234 S *	11/2014	Rautiainen	D13/108
D456,807 S *	5/2002	Floyd	D14/356	D718,236 S *	11/2014	Murray	D13/108
D480,376 S *	10/2003	Ma	D13/108	D718,712 S *	12/2014	Aumiller	D13/108
D496,038 S *	9/2004	Floyd	D14/356	D720,289 S *	12/2014	Chiang	D13/108
D521,927 S *	5/2006	Franck	D13/108	D725,034 S *	3/2015	Chen	D13/108
D524,243 S *	7/2006	Lee	D13/108	D735,131 S *	7/2015	Akana	D13/108
D524,282 S *	7/2006	Beasley	D13/108	D737,760 S *	9/2015	Kyriakoulis	D13/108
D526,973 S *	8/2006	Gates	D13/168	D737,762 S *	9/2015	Aumiller	D13/108
D537,409 S *	2/2007	Suzuki	D13/108	D738,303 S *	9/2015	Symons	D13/108
D550,614 S *	9/2007	Fee	D13/107	D738,823 S *	9/2015	Chen	D13/108
D580,932 S *	11/2008	Tzou	D14/356	D740,750 S *	10/2015	Mayden	D13/108
D581,927 S *	12/2008	Sumii	D14/356	D741,256 S *	10/2015	Murphy-Reinhertz	D13/108
D585,898 S *	2/2009	Skurdal	D14/434	D747,267 S *	1/2016	Aumiller	D13/108
D590,391 S *	4/2009	Sumii	D14/356	D749,504 S *	2/2016	Jeong	D13/108
D598,018 S *	8/2009	Sumii	D14/301	D750,314 S *	2/2016	Hobson	D26/118
D600,694 S *	9/2009	Sumii	D14/356	D757,014 S *	5/2016	Hahn	D13/108
D602,858 S *	10/2009	Ellis	D13/108	D762,571 S *	8/2016	Lee	D13/108
D609,636 S *	2/2010	Jensen	D13/108	2004/0121226 A1 *	6/2004	Kaelin	H01M 2/1044 429/96
D633,442 S *	3/2011	Charleux	D13/110	2006/0188779 A1 *	8/2006	Yoppolo	H01M 2/0235 429/174
D645,818 S *	9/2011	Guccione	D13/108	2009/0226816 A1 *	9/2009	Yoshida	H01M 4/13 429/304
D656,096 S *	3/2012	Sasada	D13/108	2012/0295146 A1 *	11/2012	Song	H01M 2/1044 429/100
8,138,942 B2 *	3/2012	Otsuka	G08C 17/02 340/815.78	2013/0164609 A1 *	6/2013	Ito	H01M 10/052 429/200
D659,093 S *	5/2012	Schmid	D13/108	2014/0117926 A1 *	5/2014	Hwu	H02J 7/025 320/108
D661,930 S *	6/2012	Gebski	D13/108	2016/0095487 A1 *	4/2016	Koura	A47L 9/2884 15/383
D694,182 S *	11/2013	Lee	D13/108				
D696,190 S *	12/2013	Brandtman	D13/108				
D697,475 S *	1/2014	Regole	D13/108				
D706,212 S *	6/2014	Zwierstra	D13/107				

* cited by examiner

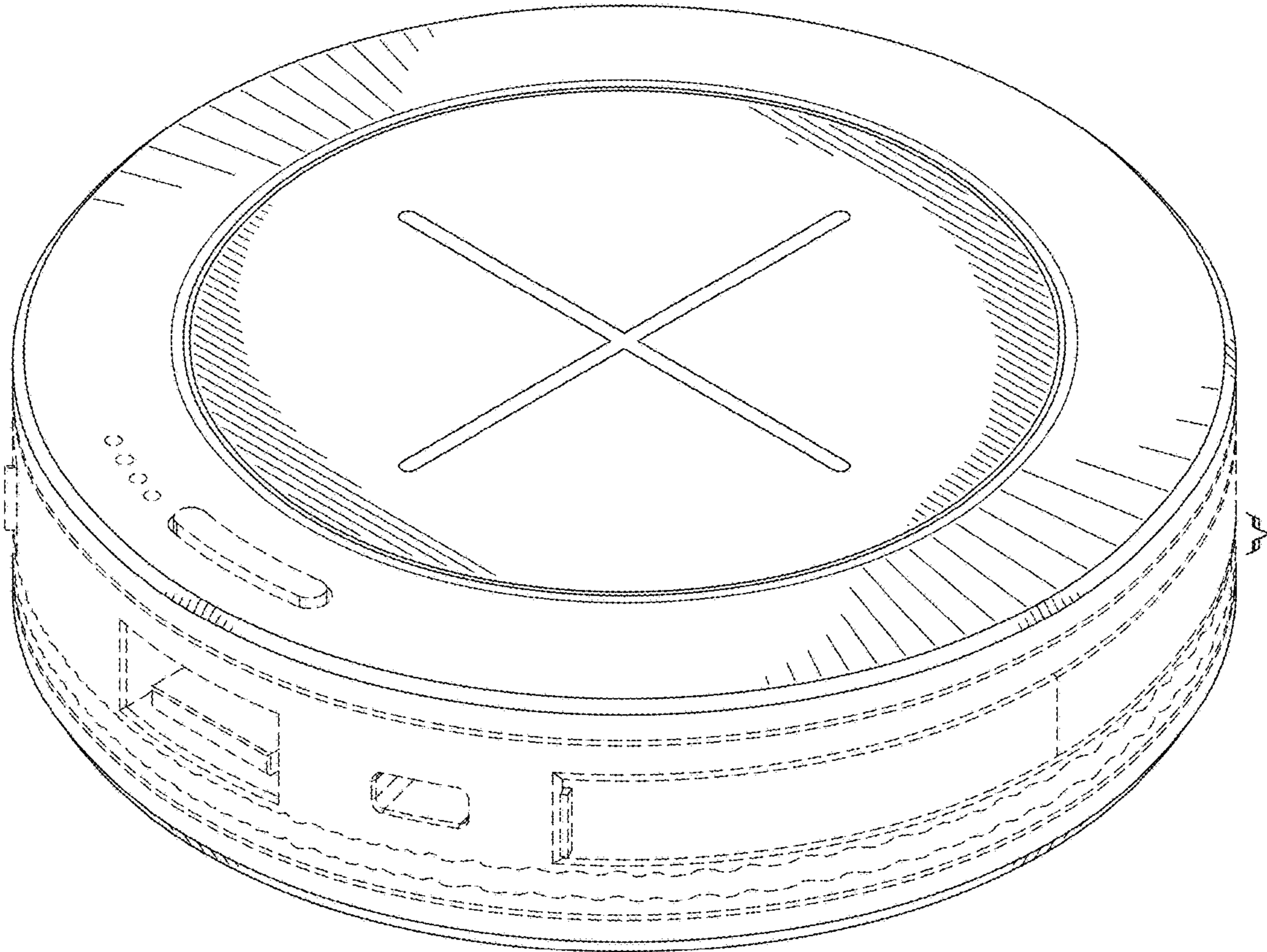


FIG. 1

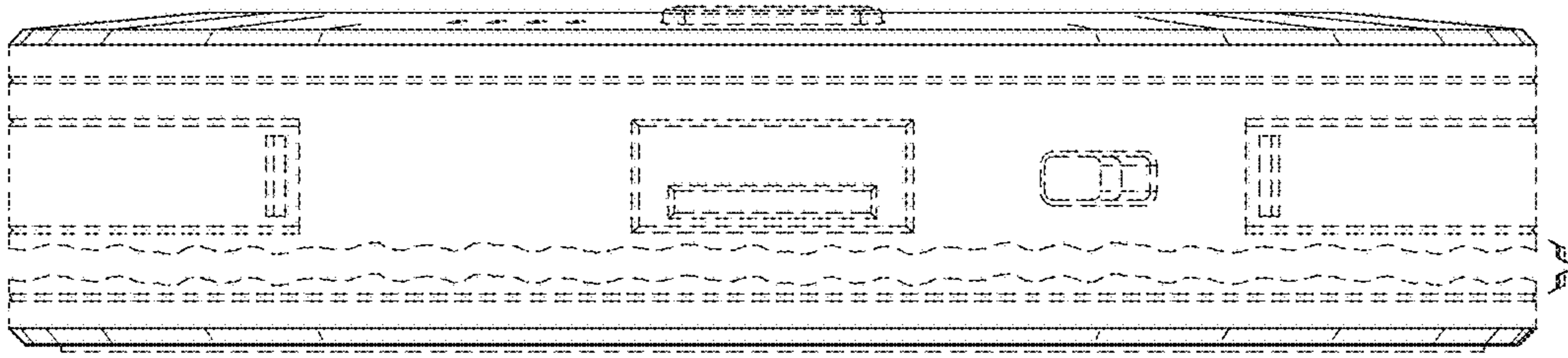


FIG. 2

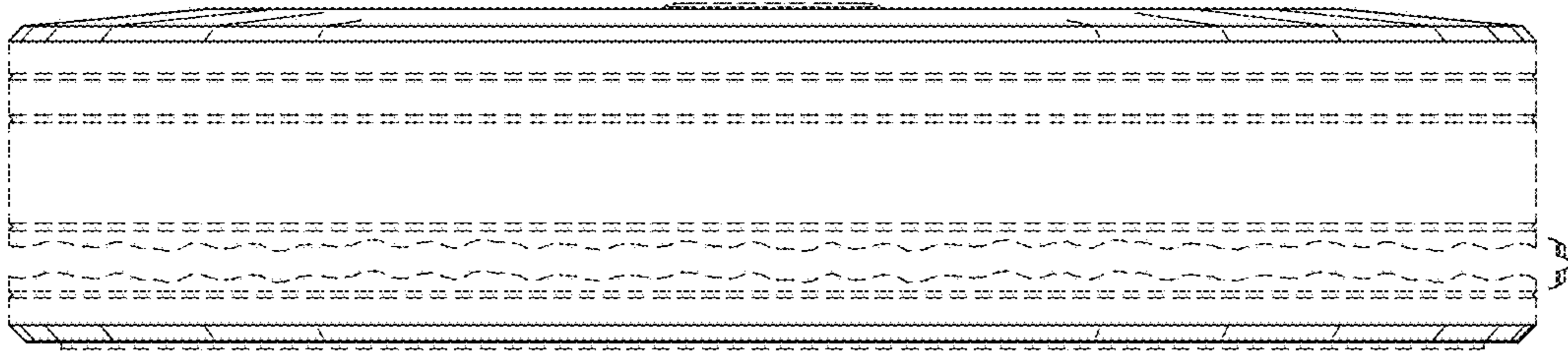


FIG. 3

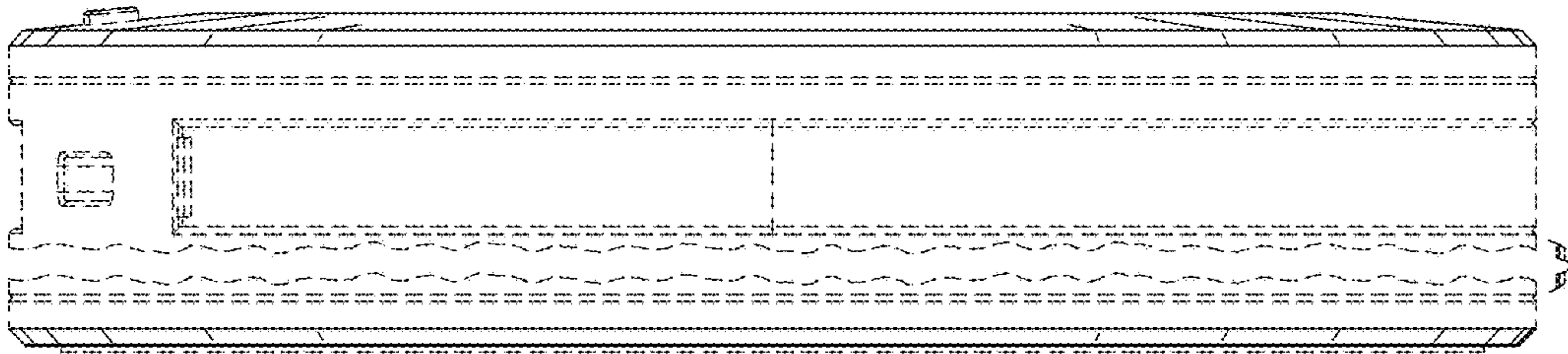


FIG. 4

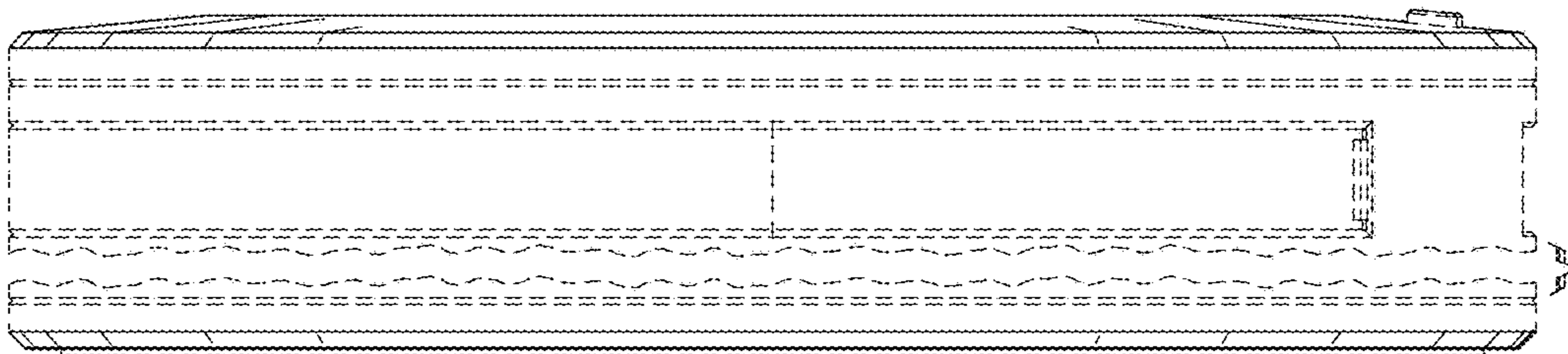


FIG. 5

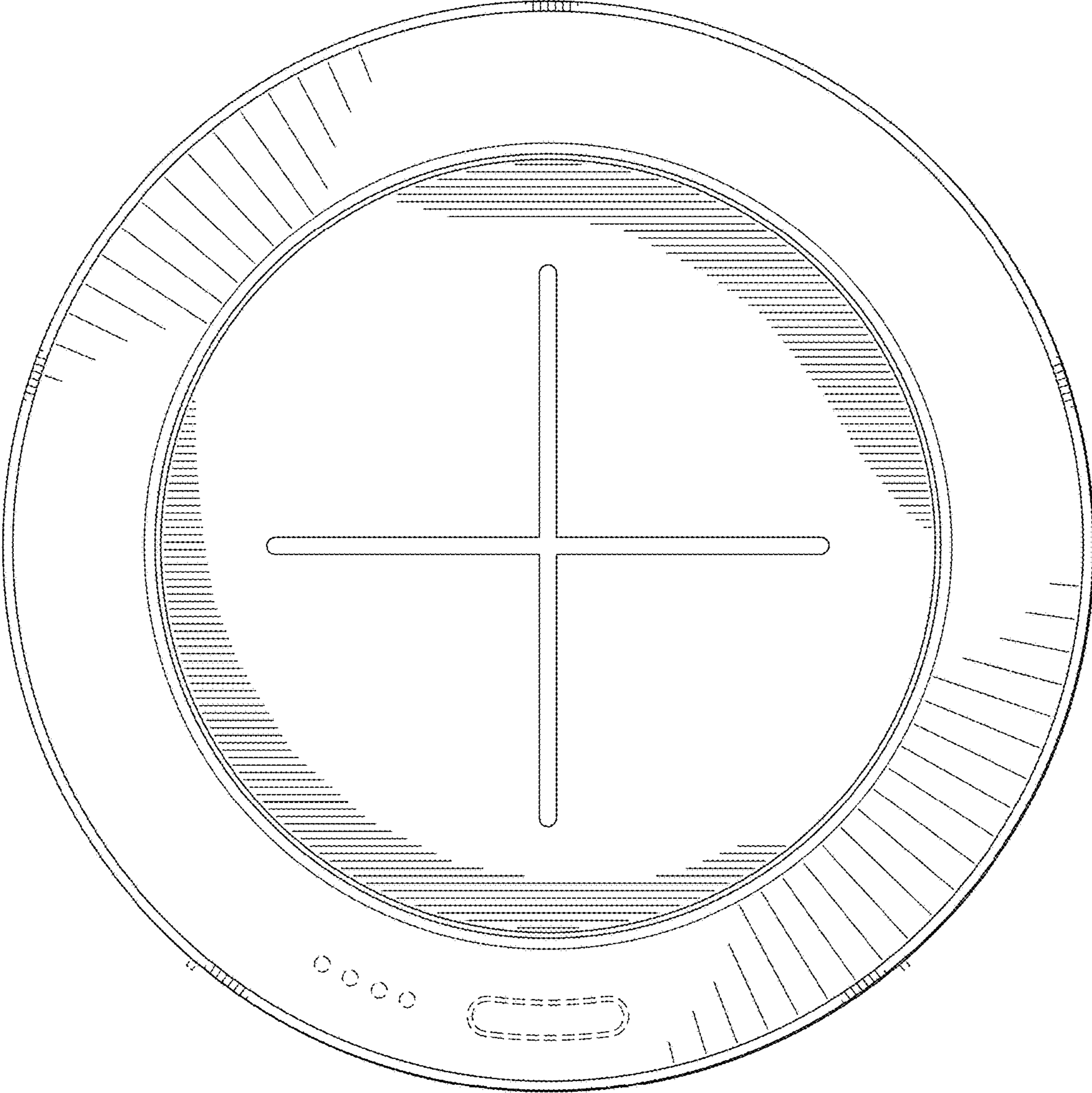


FIG. 6

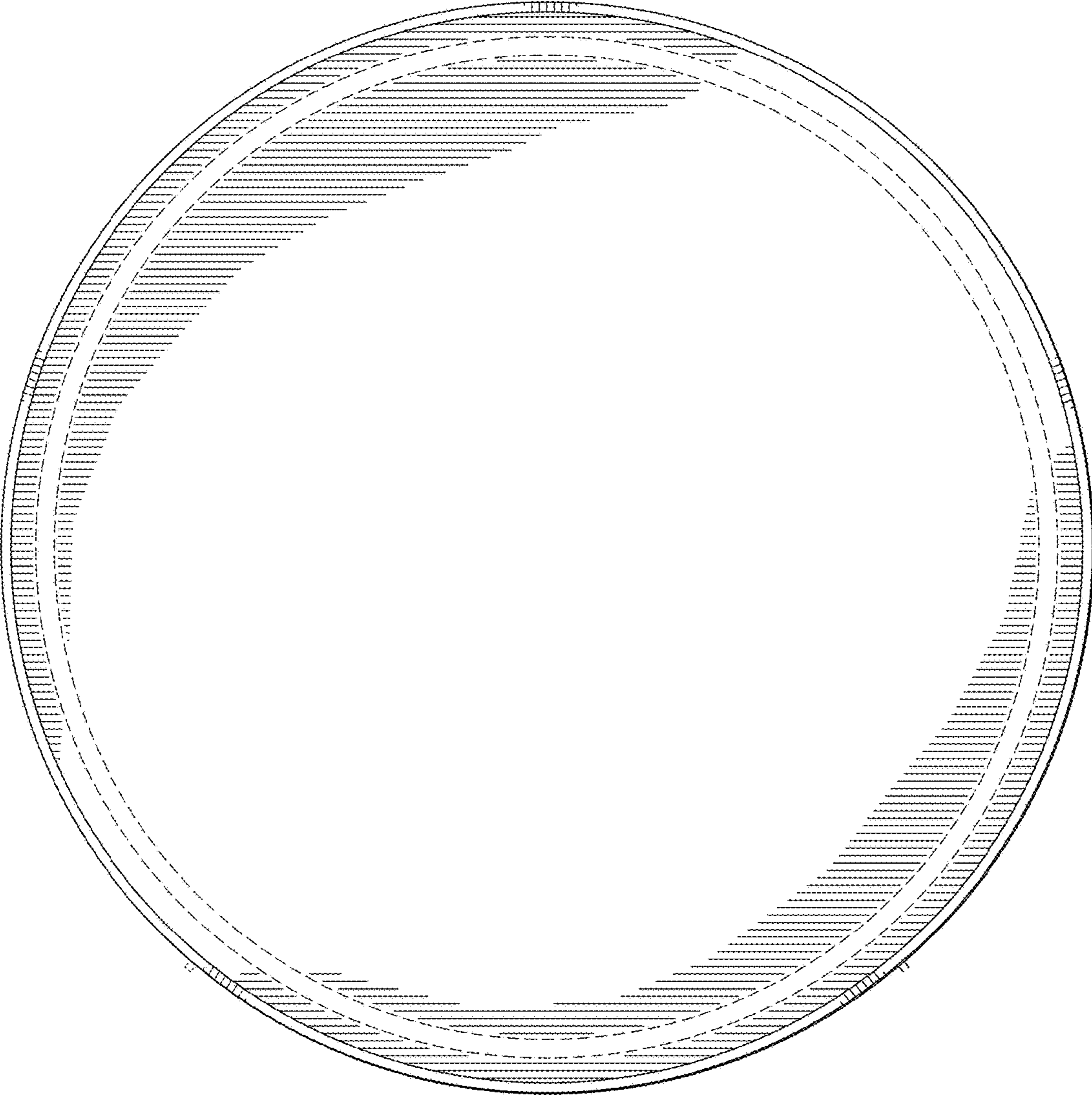


FIG. 7