



US00D777098S

(12) **United States Design Patent** (10) **Patent No.:** **US D777,098 S**  
**Au** (45) **Date of Patent:** **\*\* Jan. 24, 2017**

(54) **SOLAR TRACKER CLAMP**

(56) **References Cited**

(71) Applicant: **NEXTracker Inc.**, Fremont, CA (US)  
(72) Inventor: **Alexander W. Au**, El Cerrito, CA (US)  
(73) Assignee: **NEXTRACKER INC.**, Fremont, CA (US)  
(\*\*) Term: **14 Years**  
(21) Appl. No.: **29/525,310**  
(22) Filed: **Apr. 28, 2015**

U.S. PATENT DOCUMENTS

4,146,784	A *	3/1979	Yekutieli .....	250/203.4
4,276,872	A *	7/1981	Blake et al. ....	126/578
4,317,031	A *	2/1982	Findell .....	250/203.4
D438,093	S *	2/2001	Mandujano .....	D8/396
D439,833	S *	4/2001	Nakamura .....	D8/395
D627,717	S *	11/2010	Munoz et al. ....	D13/102
D651,969	S *	1/2012	Turk et al. ....	D13/102
8,181,926	B2 *	5/2012	Magno et al. ....	248/237
8,274,028	B2 *	9/2012	Needham .....	250/203.4
2004/0238025	A1 *	12/2004	Shingleton .....	136/246

\* cited by examiner

*Primary Examiner* — Derrick Holland  
(74) *Attorney, Agent, or Firm* — Richard T. Ogawa;  
Ogawa P.C.

**Related U.S. Application Data**

(62) Division of application No. 29/448,811, filed on Mar. 13, 2013, now Pat. No. Des. 744,417.

(51) **LOC (10) Cl.** ..... **13-02**

(52) **U.S. Cl.**  
USPC ..... **D13/102**

(58) **Field of Classification Search**  
USPC .... D13/102, 118, 184, 199; D8/72, 74, 349,  
D8/354, 355; 52/173.3; 126/573, 580,  
126/651, 656, 704; 136/206, 244-251,  
136/256, 291, 292  
CPC ..... F24J 2/38; F24J 2/40; F24J 2/54;  
F24J 2/405; F24J 2/4638; F24J 2002/385;  
H01L 31/042; H01L 31/043; H01L  
31/052; H01L 31/0525; Y02E 10/47

See application file for complete search history.

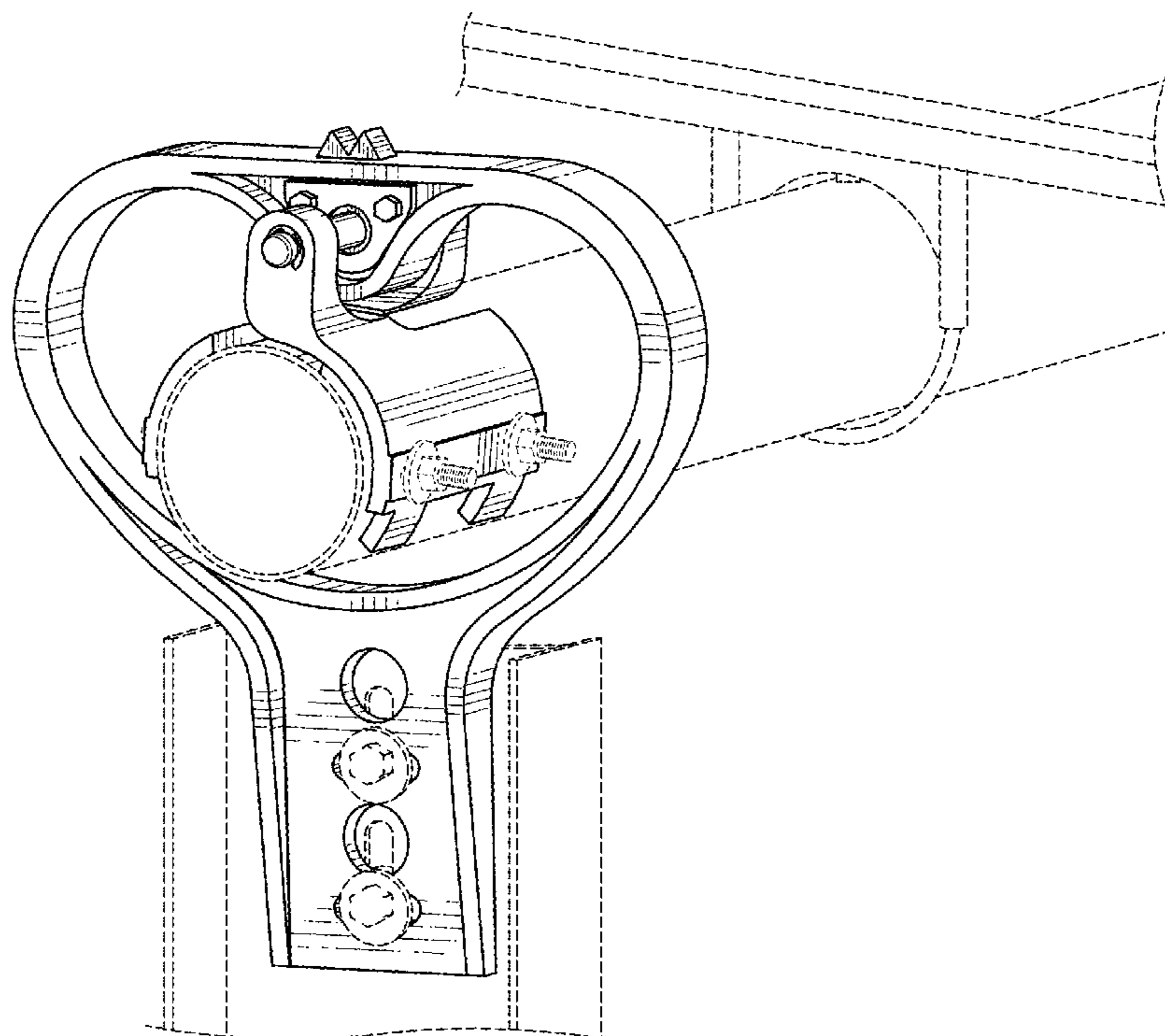
(57) **CLAIM**

The ornamental design for a solar tracker clamp, as shown and described.

**DESCRIPTION**

FIG. 1 is a perspective view of a solar tracker clamp showing my new design;  
FIG. 2 is a front elevation view thereof;  
FIG. 3 is a back elevation view thereof;  
FIG. 4 is top plan view thereof;  
FIG. 5 is a bottom plan view thereof;  
FIG. 6 is a first side view thereof; and,  
FIG. 7 is a second side view thereof.  
The broken lines shown represent unclaimed subject matter and form no part of the claimed design.

**1 Claim, 7 Drawing Sheets**



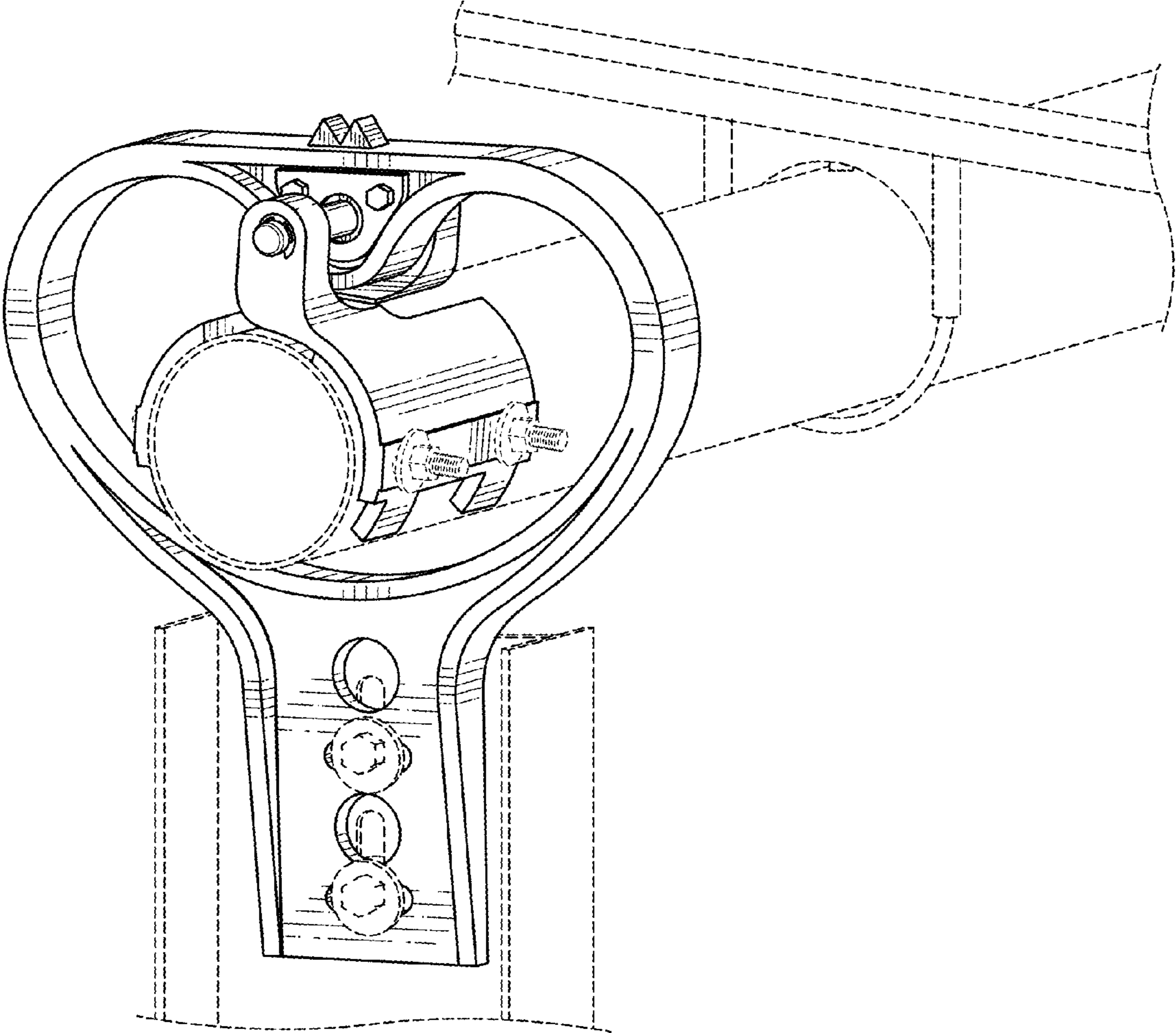


FIG. 1

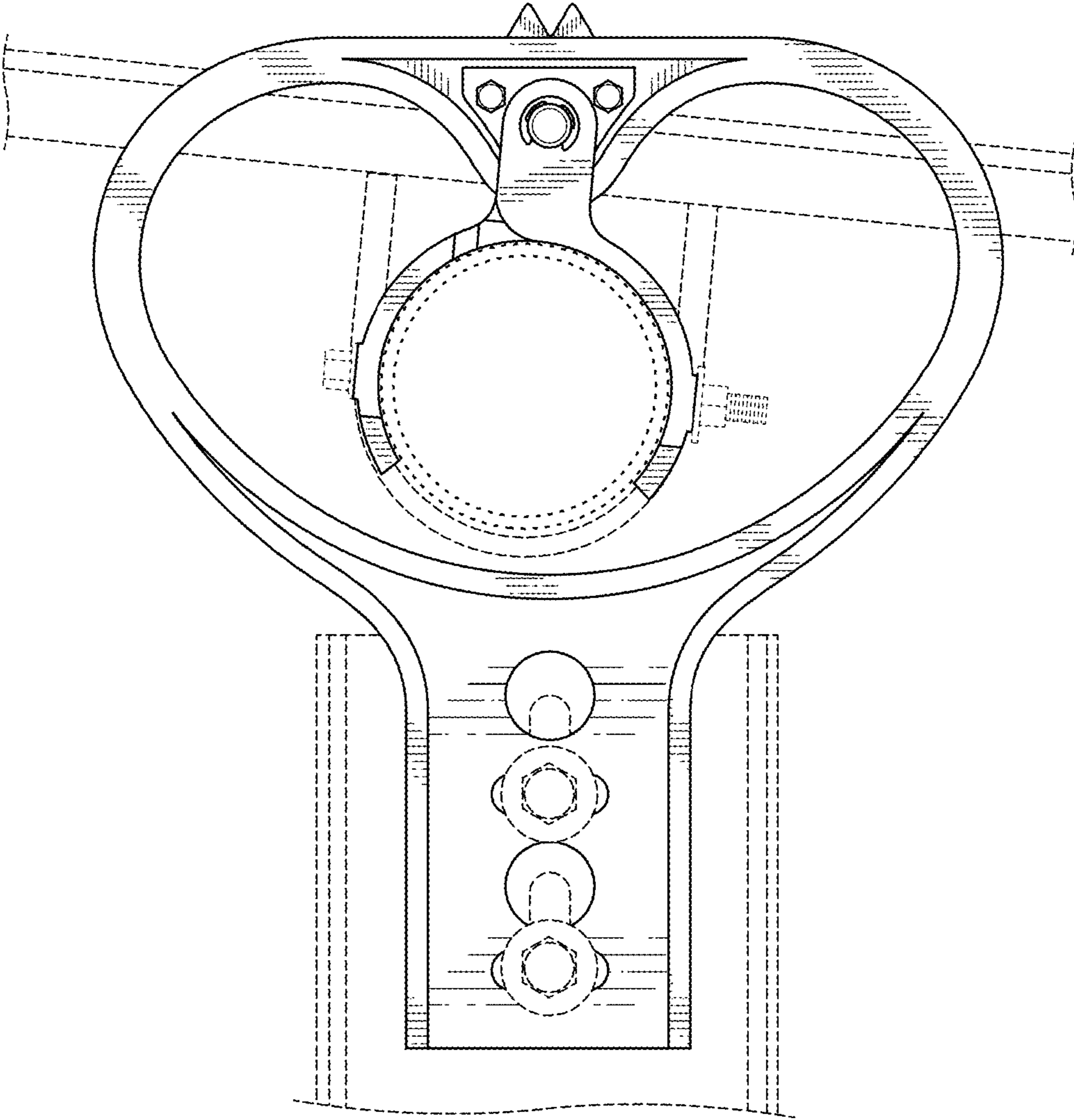


FIG. 2

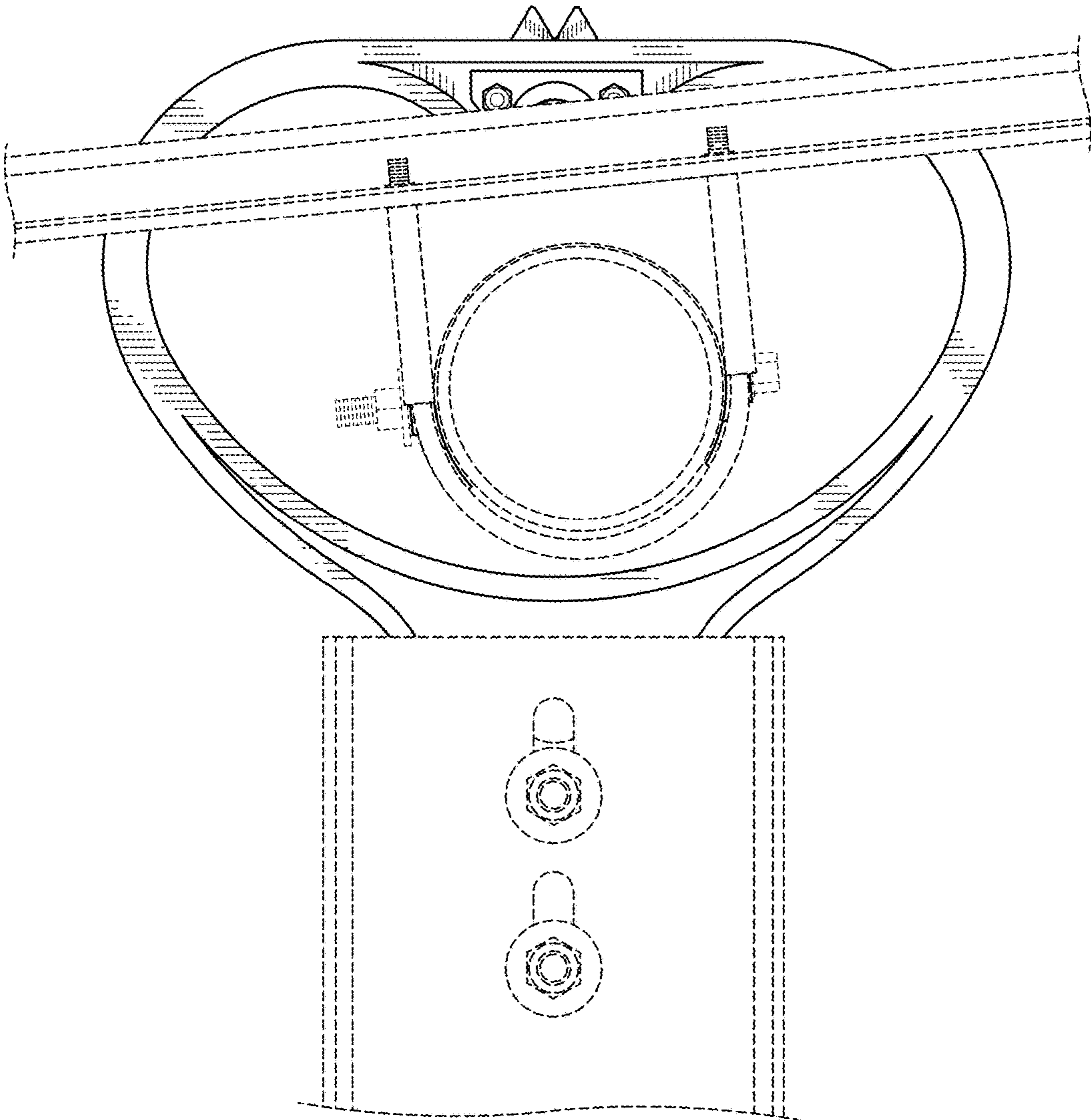


FIG. 3

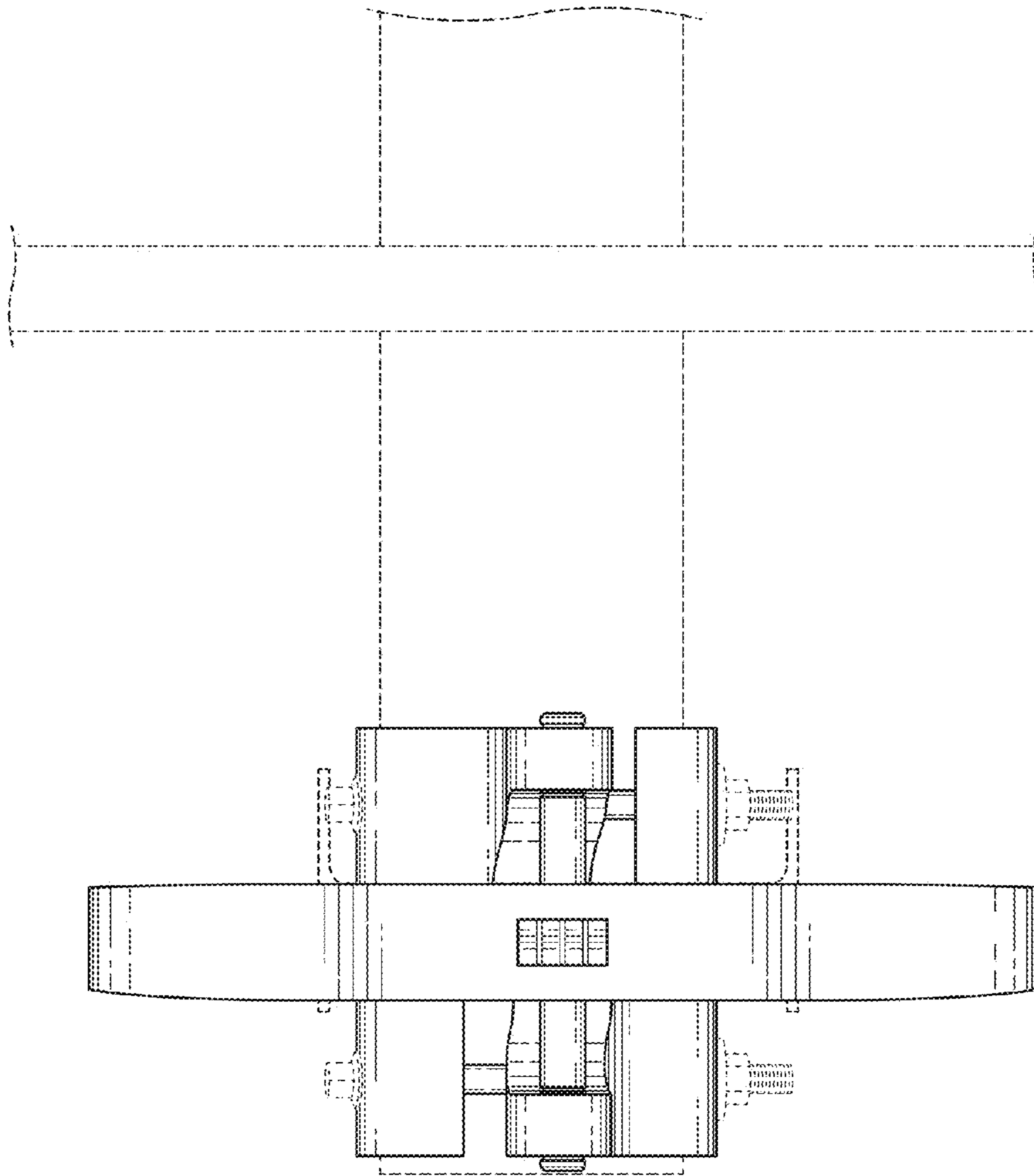


FIG. 4

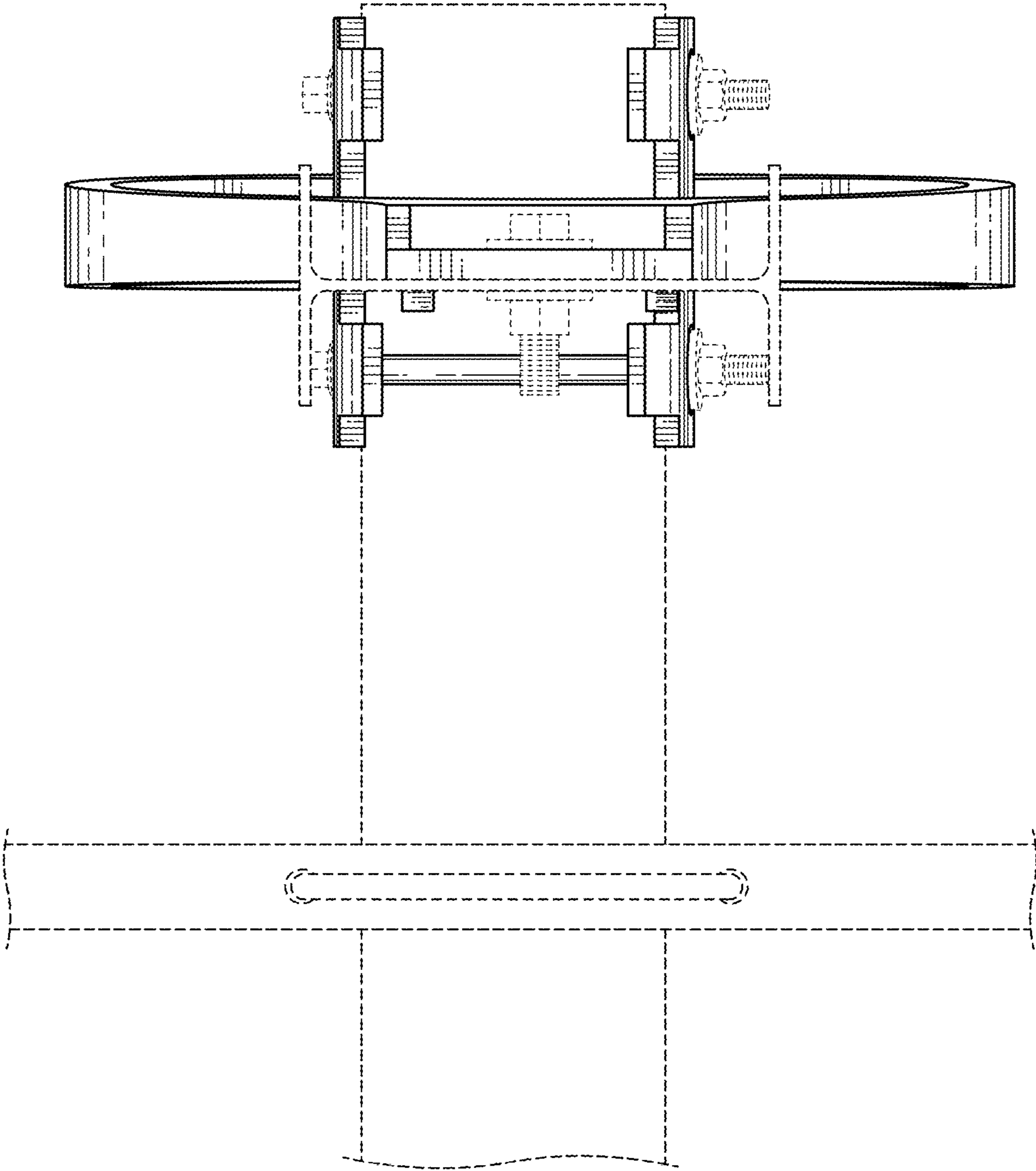


FIG. 5

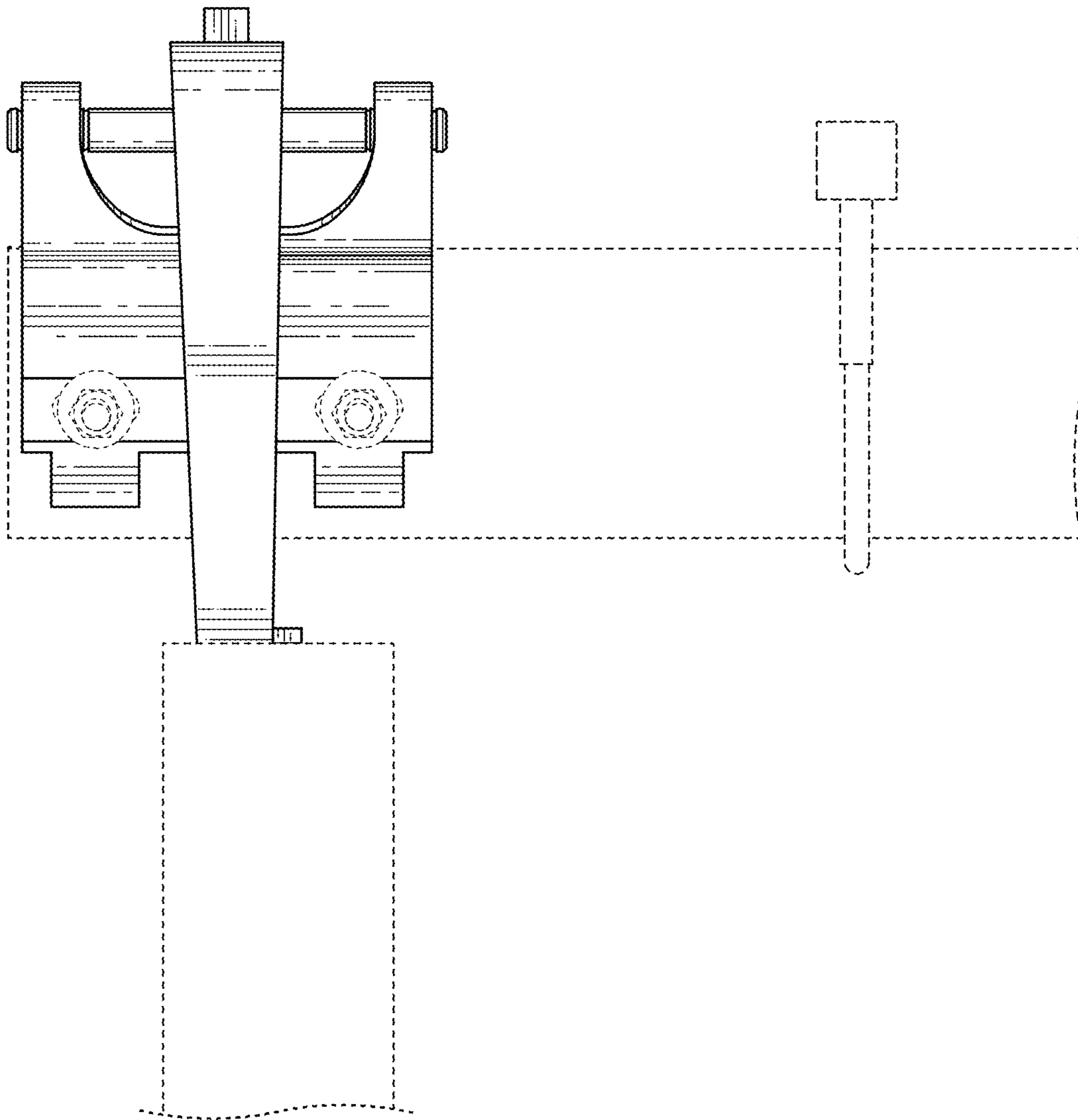


FIG. 6

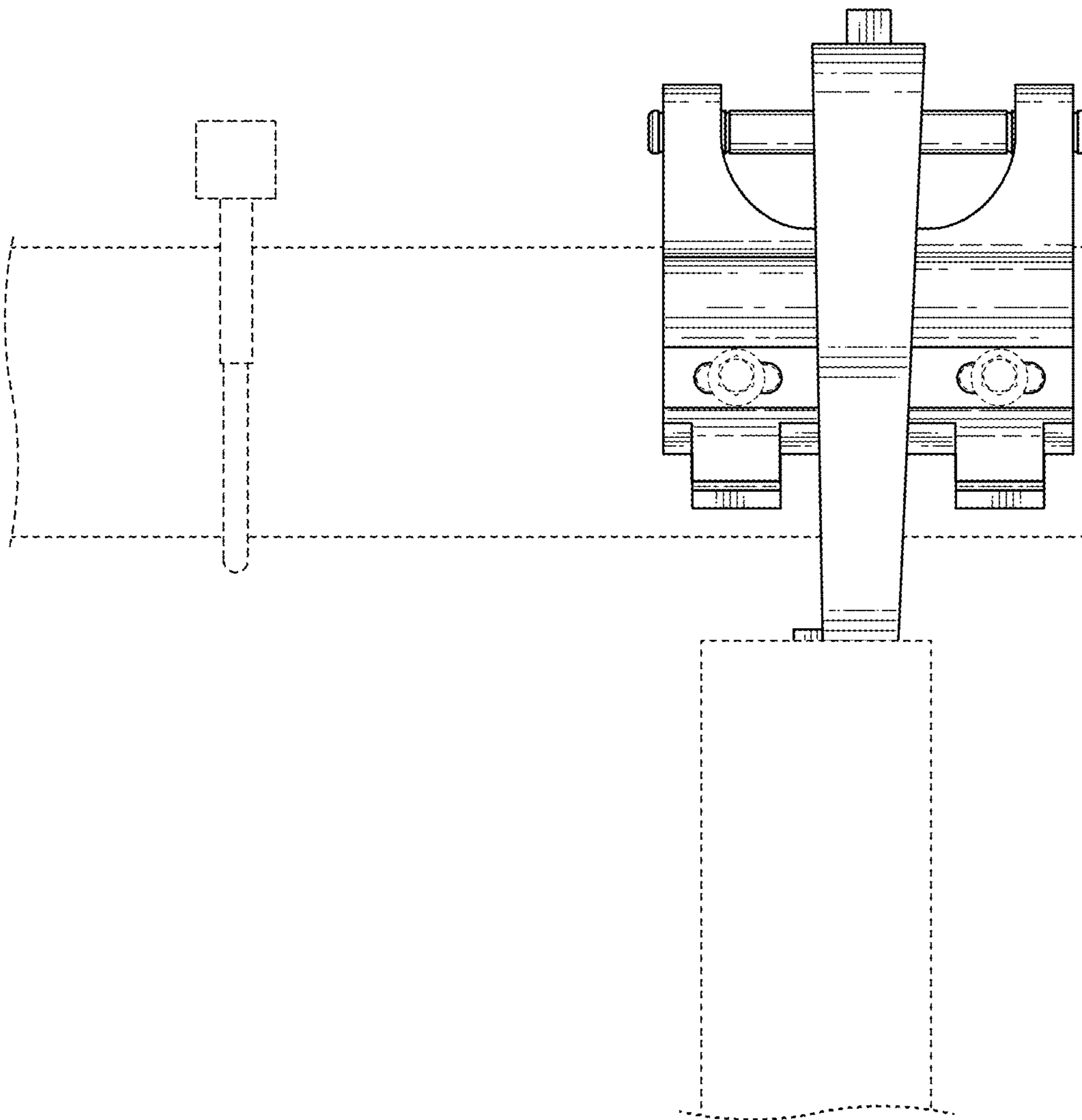


FIG. 7