



US00D777082S

(12) **United States Design Patent**
Tang et al.

(10) **Patent No.:** **US D777,082 S**

(45) **Date of Patent:** **** Jan. 24, 2017**

(54) **MULTIFUNCTIONAL COOLING CUP HOLDER**

(71) Applicant: **eMoMo Technology Co., Ltd.**,
Shenzhen (CN)

(72) Inventors: **Wenji Tang**, Shenzhen (CN); **Yushu Zhao**, Shenzhen (CN); **Jing Song**,
Shenzhen (CN)

(73) Assignee: **eMoMo Technology Co., Ltd.**,
Shenzhen (CN)

(**) Term: **15 Years**

(21) Appl. No.: **29/529,929**

(22) Filed: **Jun. 11, 2015**

(30) **Foreign Application Priority Data**

Feb. 10, 2015 (CN) 2015 3 0049630

(51) **LOC (10) Cl.** **12-16**

(52) **U.S. Cl.**
USPC **D12/419**

(58) **Field of Classification Search**
USPC D12/415-420, 400, 191, 106, 195,
D12/345, 96, 99
CPC B60R 7/08; B60R 7/04
See application file for complete search history.

(56) **References Cited**

U.S. PATENT DOCUMENTS

D508,672 S * 8/2005 Fraser D12/419
D519,441 S * 4/2006 Lee D12/419

D526,953 S * 8/2006 Hall D12/419
D541,209 S * 4/2007 Castator 296/24.34
D571,280 S * 6/2008 Nakajima D12/415
D724,004 S * 3/2015 McFarlin D12/419
D735,636 S * 8/2015 Wragg D12/419
D764,386 S * 8/2016 Ahn D12/419

* cited by examiner

Primary Examiner — Katrina A Betton

(74) *Attorney, Agent, or Firm* — Bass, Berry & Sims
PLC

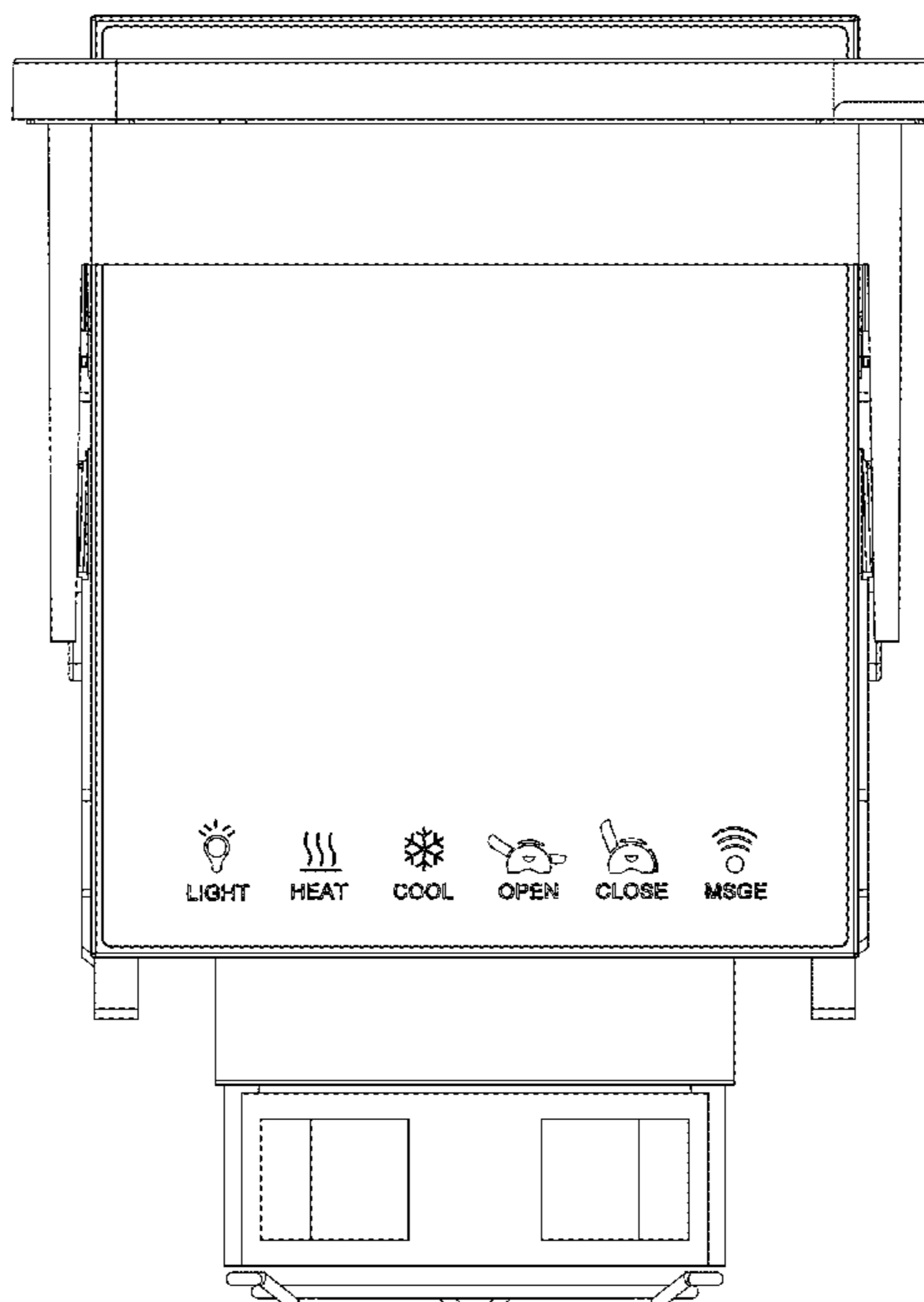
(57) **CLAIM**

The ornamental design for a multifunctional cooling cup holder, as shown and described.

DESCRIPTION

FIG. 1 is a top plan view of a multifunctional cooling cup holder showing our new design with a control panel in the vertical position;
FIG. 2 is a right side view thereof;
FIG. 3 is a left side view thereof;
FIG. 4 is a back view thereof;
FIG. 5 is a front view thereof;
FIG. 6 is a bottom plan view thereof;
FIG. 7 is a top perspective view thereof;
FIG. 8 is a bottom perspective view thereof;
FIG. 9 is a top perspective view of the multifunctional cooling cup holder with the control panel in the horizontal position; and,
FIG. 10 is a bottom perspective view thereof.

1 Claim, 10 Drawing Sheets



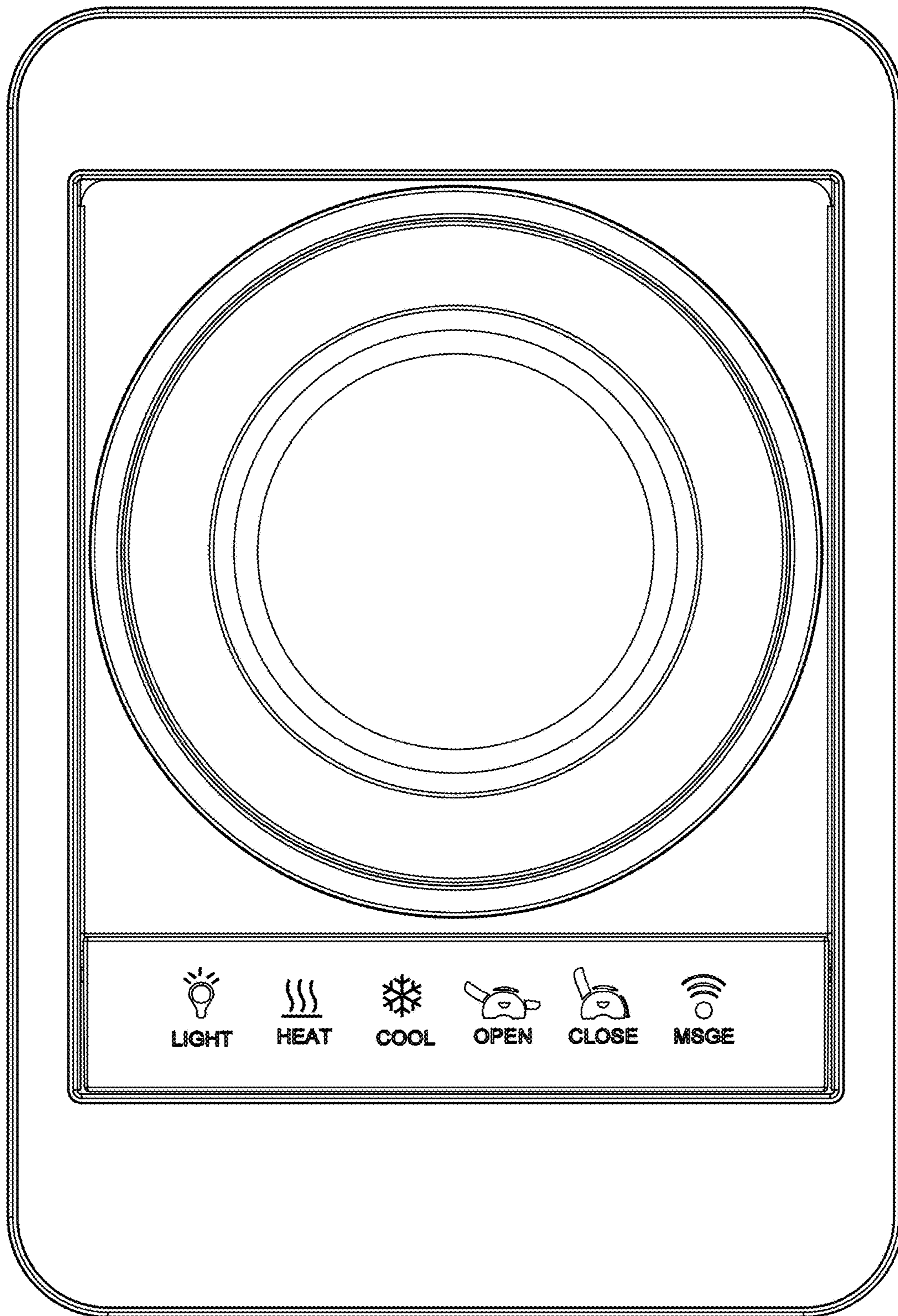


FIG. 1

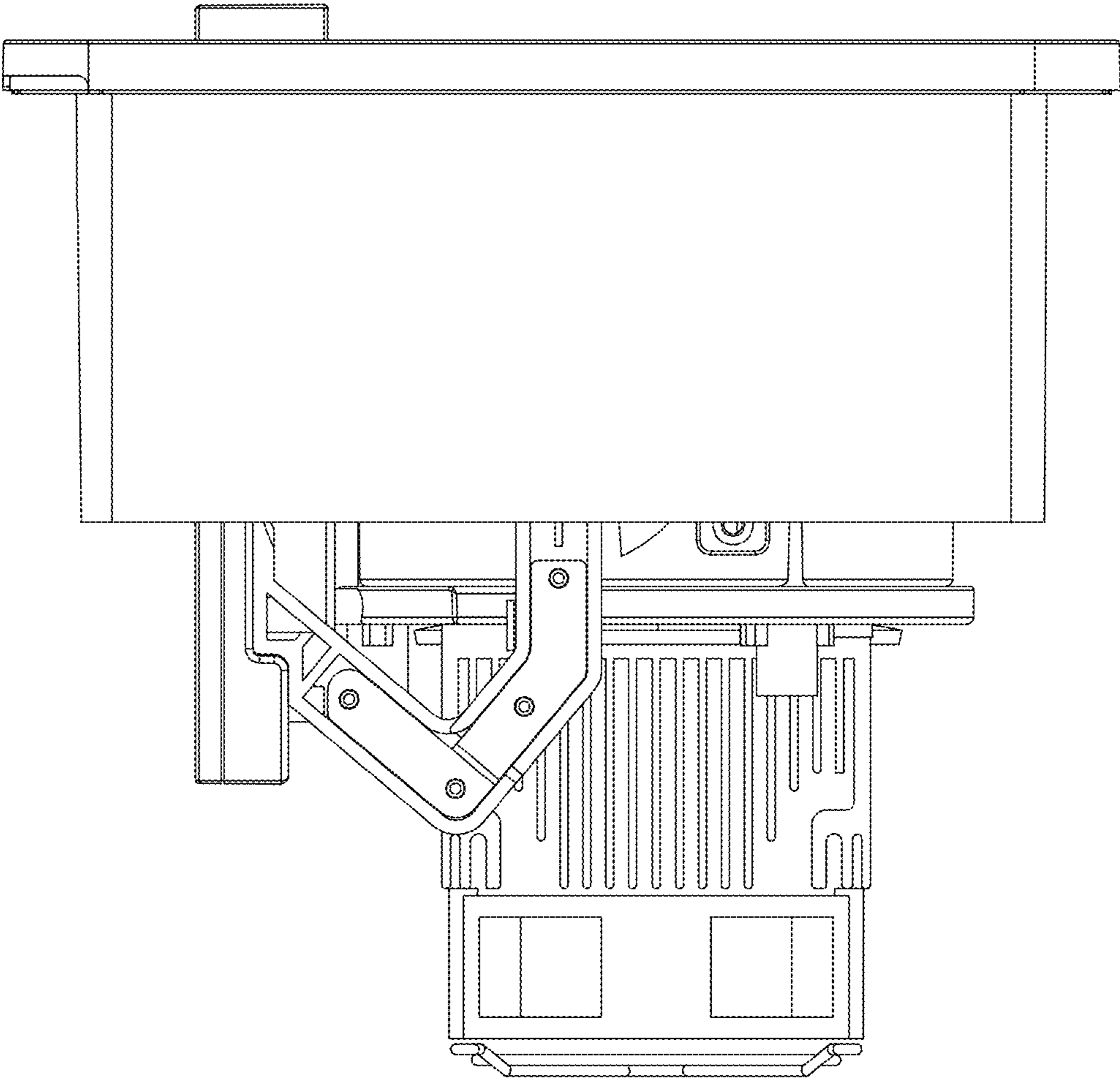


FIG. 2

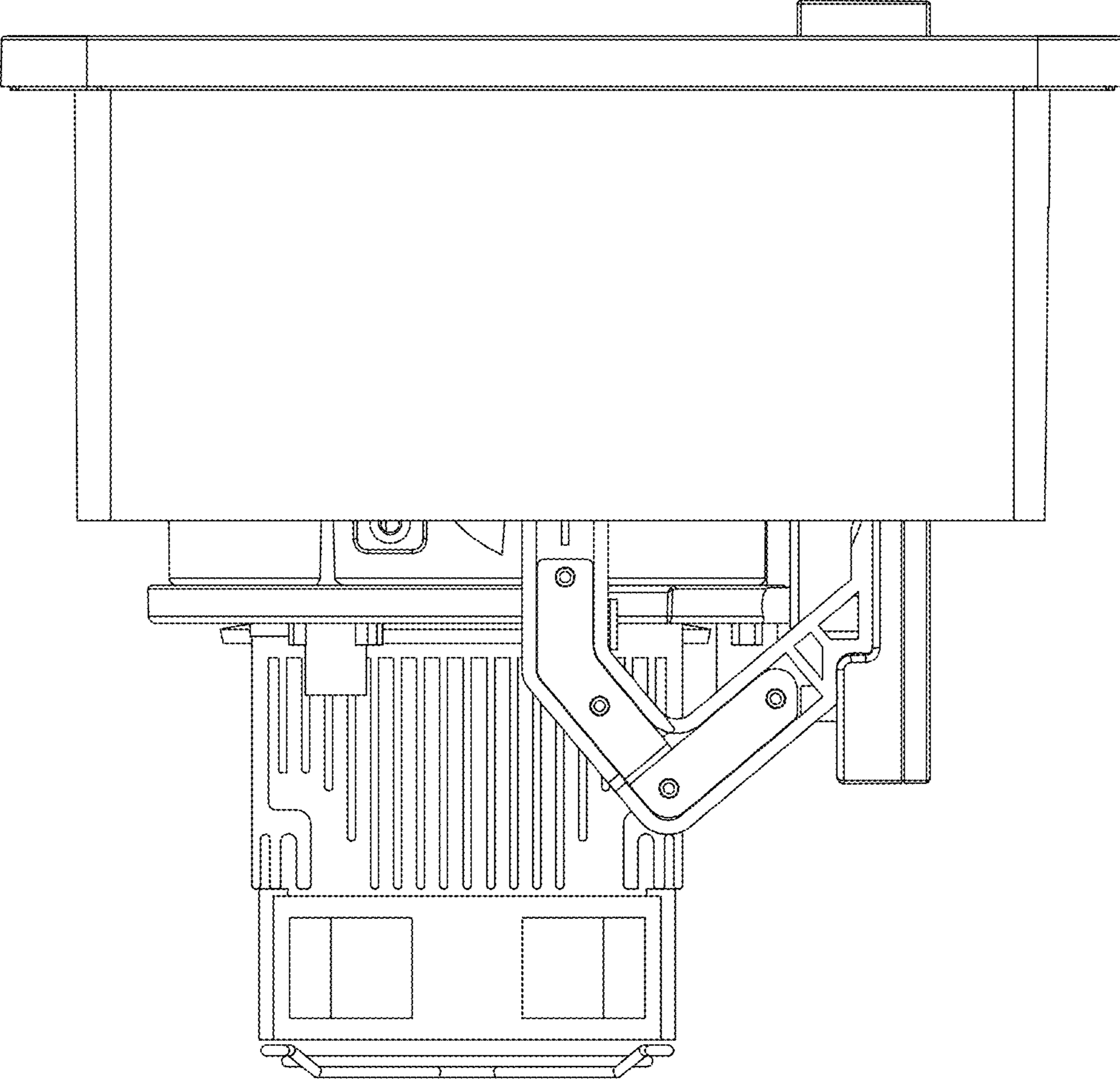


FIG. 3

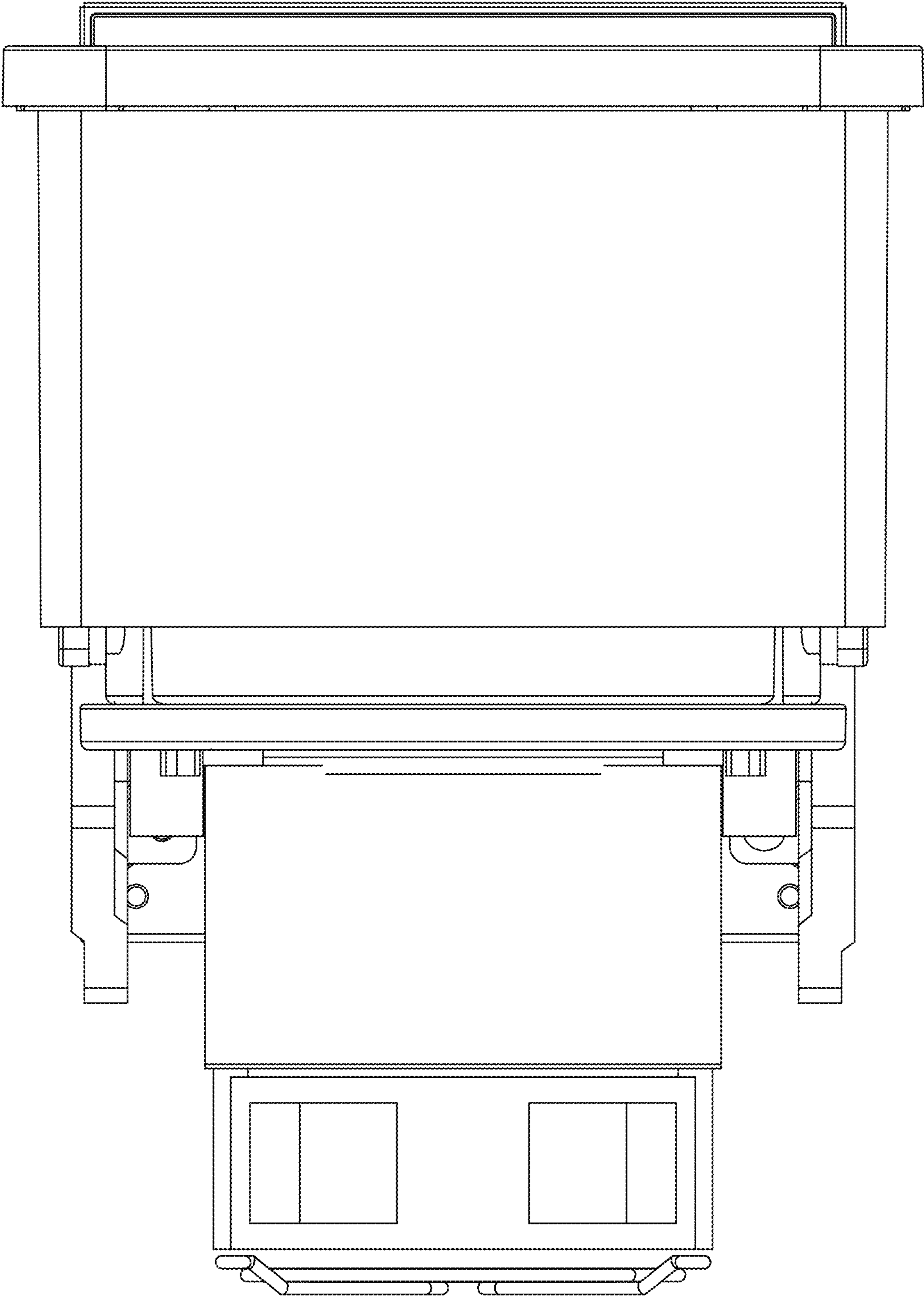


FIG. 4

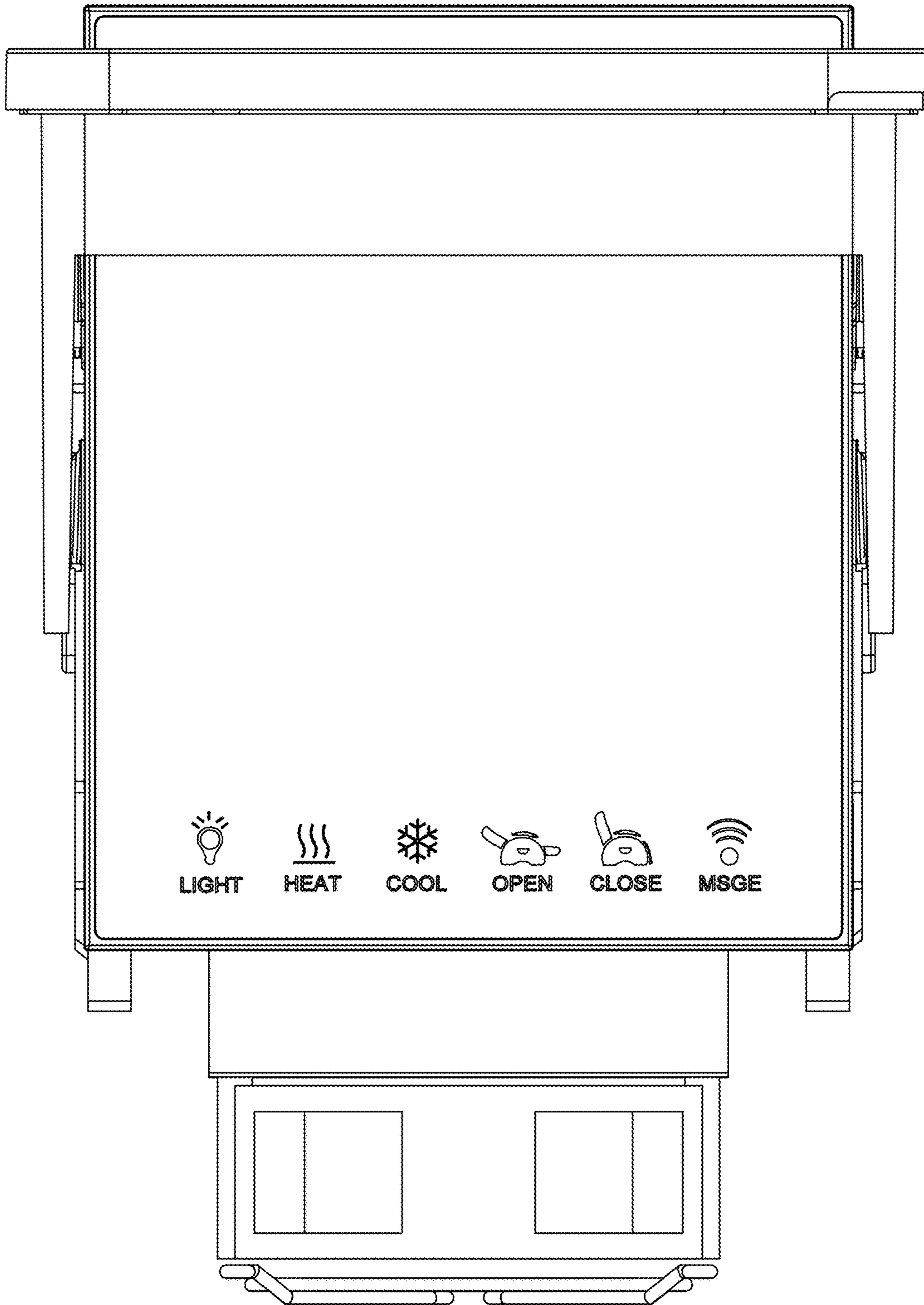


FIG. 5

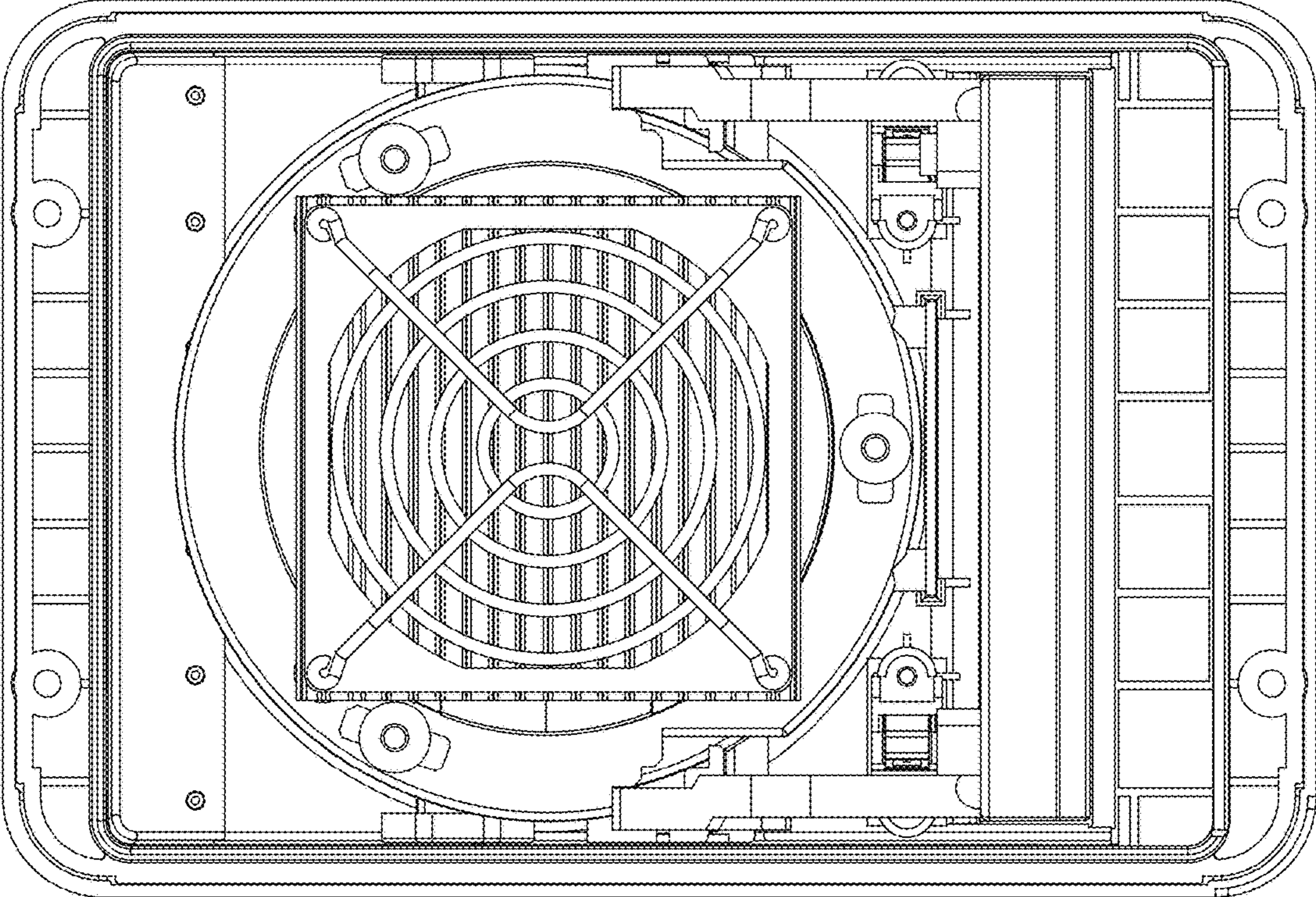


FIG. 6

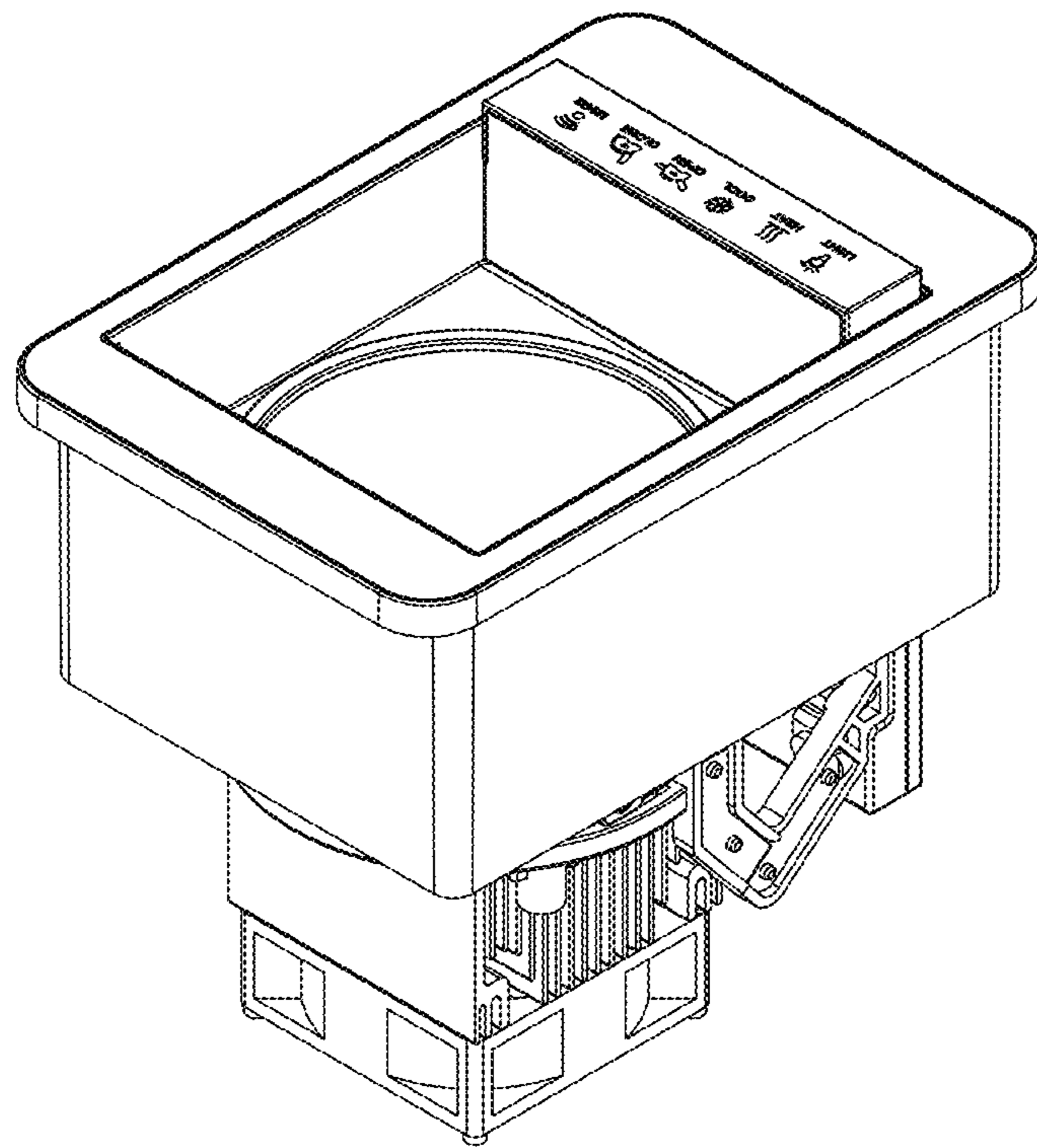


FIG. 7

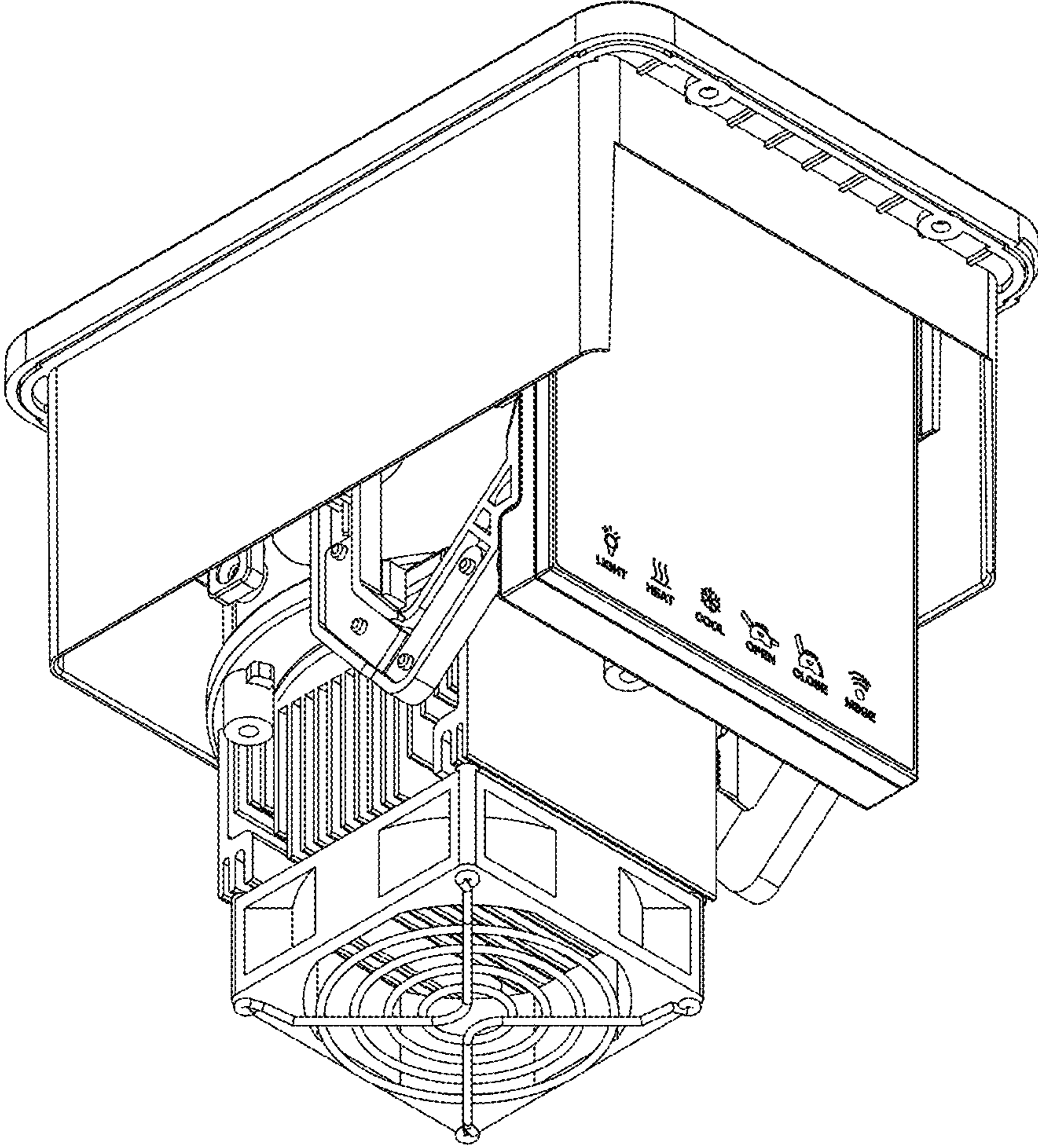


FIG. 8

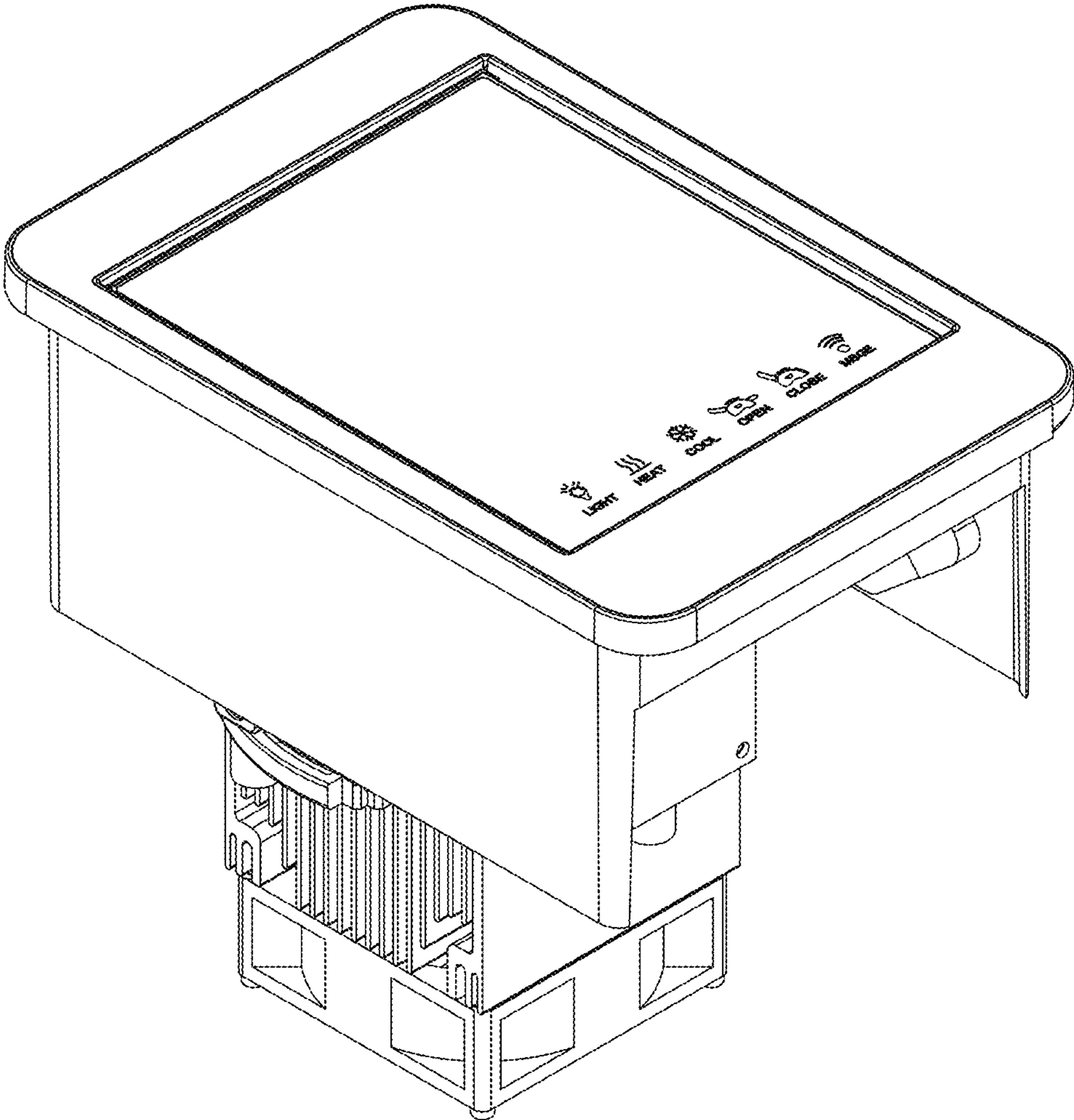


FIG. 9

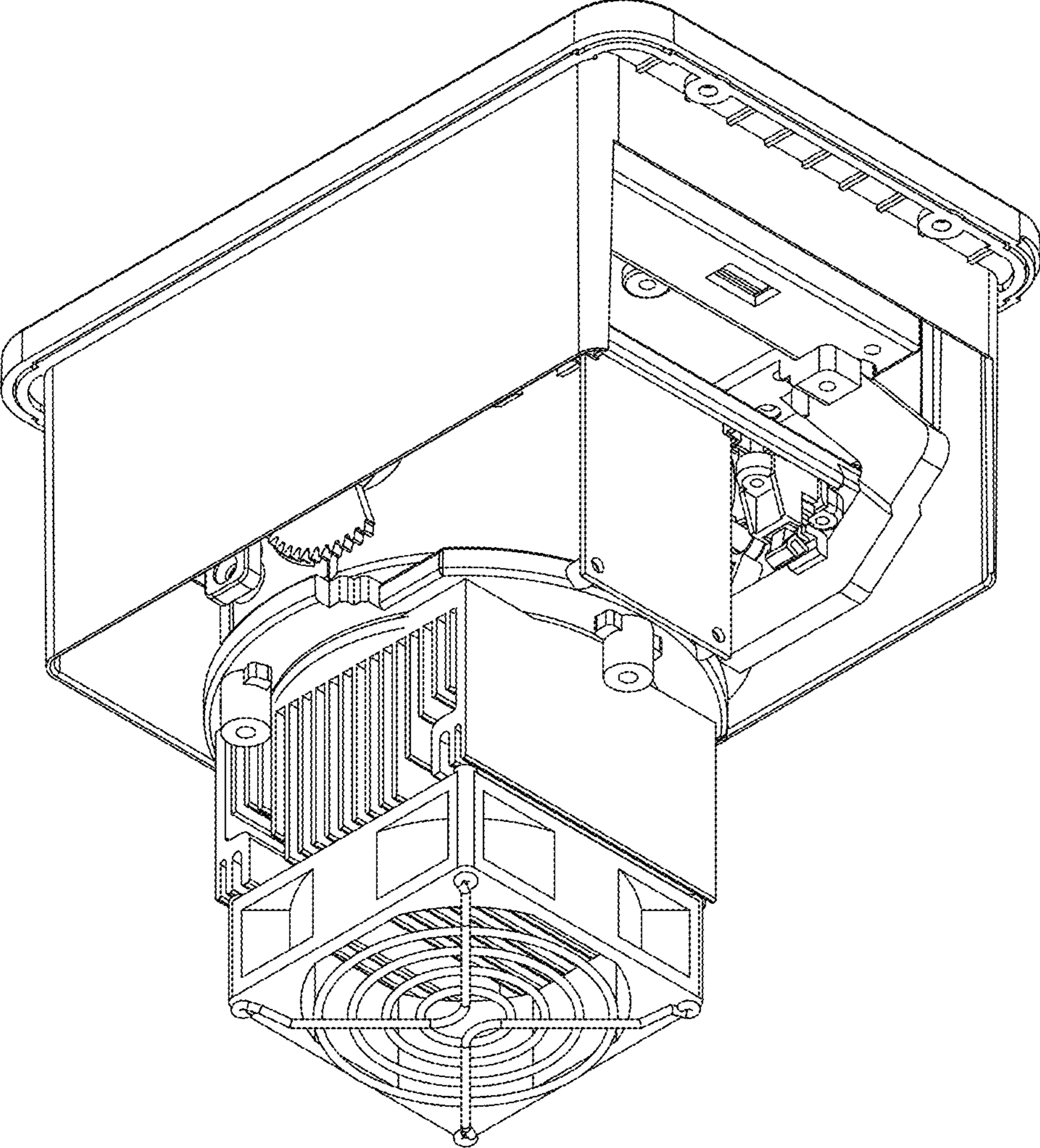


FIG. 10