



US00D777081S

(12) **United States Design Patent**
Keathley

(10) **Patent No.:** **US D777,081 S**

(45) **Date of Patent:** **** Jan. 24, 2017**

(54) **CARGO RETAINING DEVICE**

D627,291 S * 11/2010 Lindsay, Jr. D12/416
D632,510 S * 2/2011 Johnson D12/416
D654,424 S * 2/2012 Vadala D12/416

(71) Applicant: **Patrick Glenn Keathley**, Reno, NV
(US)

* cited by examiner

(72) Inventor: **Patrick Glenn Keathley**, Reno, NV
(US)

Primary Examiner — Katrina A Betton
(74) *Attorney, Agent, or Firm* — Dunlap Bennett &
Ludwig PLLC

(**) Term: **14 Years**

(57) **CLAIM**

(21) Appl. No.: **29/524,809**

The ornamental design for a cargo retaining device, as shown and described.

(22) Filed: **Apr. 23, 2015**

DESCRIPTION

(51) **LOC (10) Cl.** **12-16**

(52) **U.S. Cl.**
USPC **D12/416**

(58) **Field of Classification Search**
USPC D12/415-426.1
CPC F16M 11/12; F16M 11/10
See application file for complete search history.

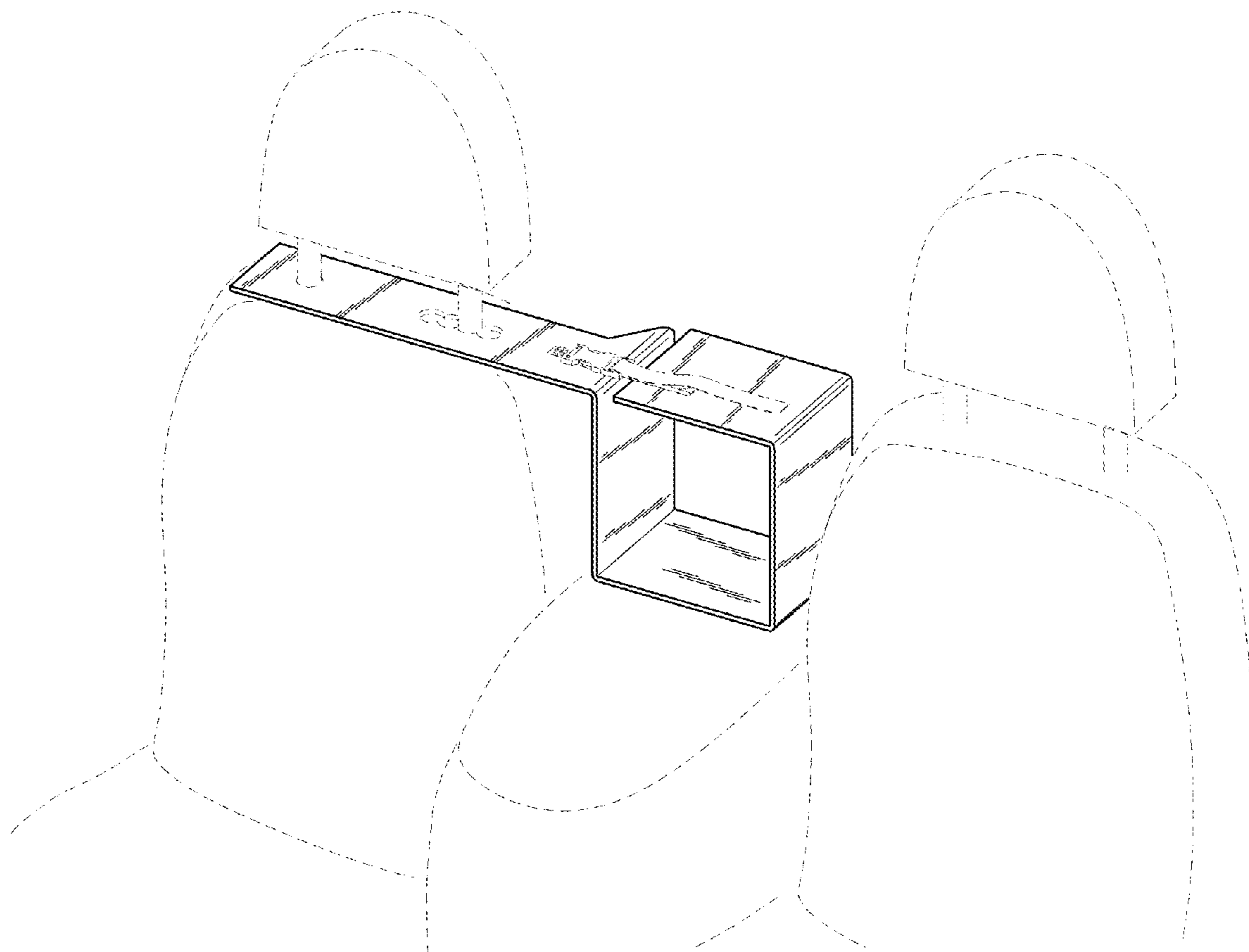
FIG. 1 is a front perspective view of a cargo retaining device;
FIG. 2 is a front elevation view thereof;
FIG. 3 is a rear elevation view thereof;
FIG. 4 is a left side elevation view thereof;
FIG. 5 is a right side elevation view thereof;
FIG. 6 is a top plan view thereof;
FIG. 7 is a bottom plan view thereof; and,
FIG. 8 is a front perspective view thereof, shown in use.
The broken lines shown in the drawings illustrate portions of the cargo retaining device that form no part of the claimed design.

(56) **References Cited**

U.S. PATENT DOCUMENTS

D401,214 S * 11/1998 Benavidez D12/416
D441,341 S * 5/2001 Hassett D12/416
D447,999 S * 9/2001 Thomson D12/416
D473,510 S * 4/2003 Denmeade D12/416

1 Claim, 5 Drawing Sheets



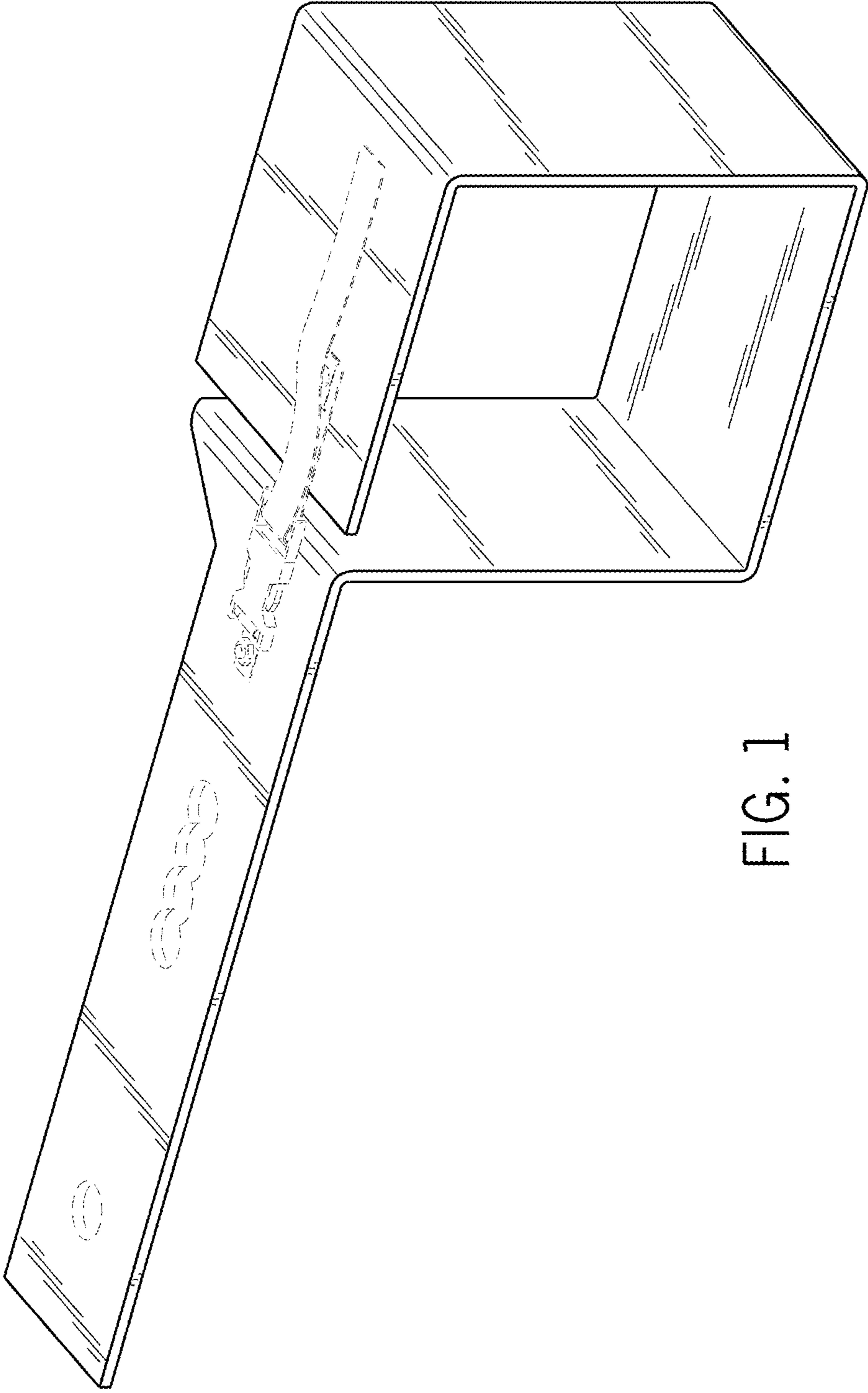
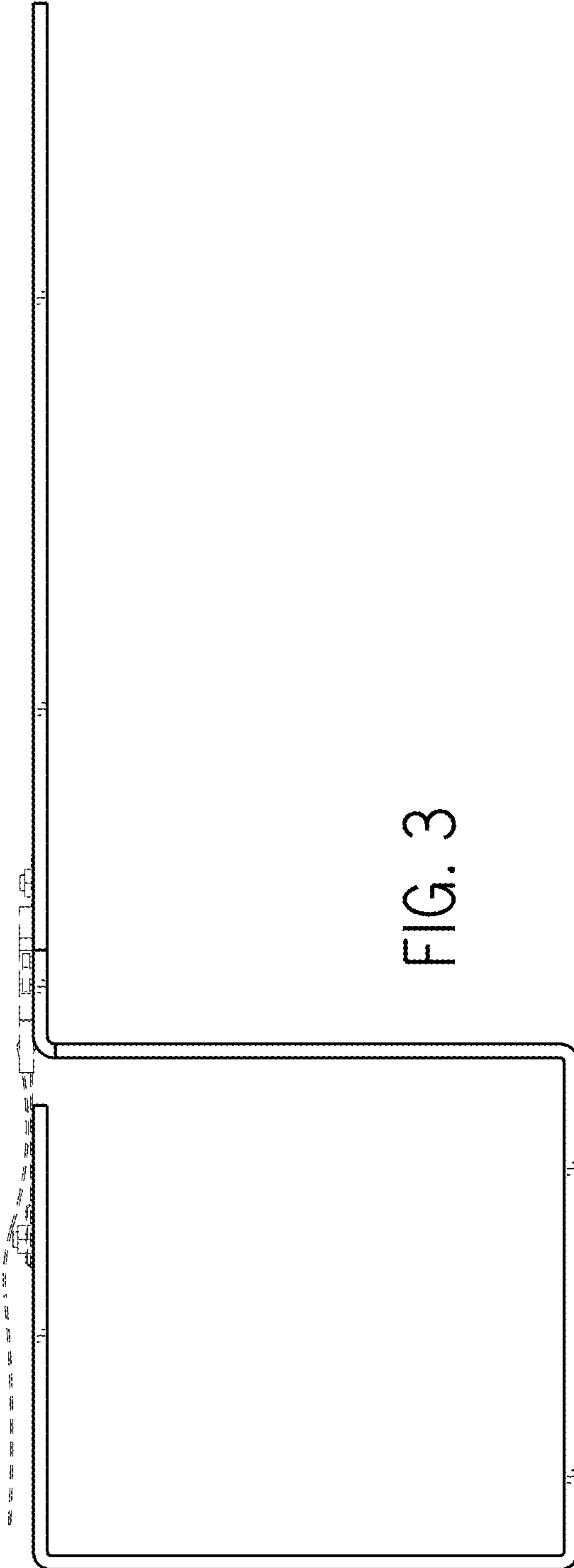
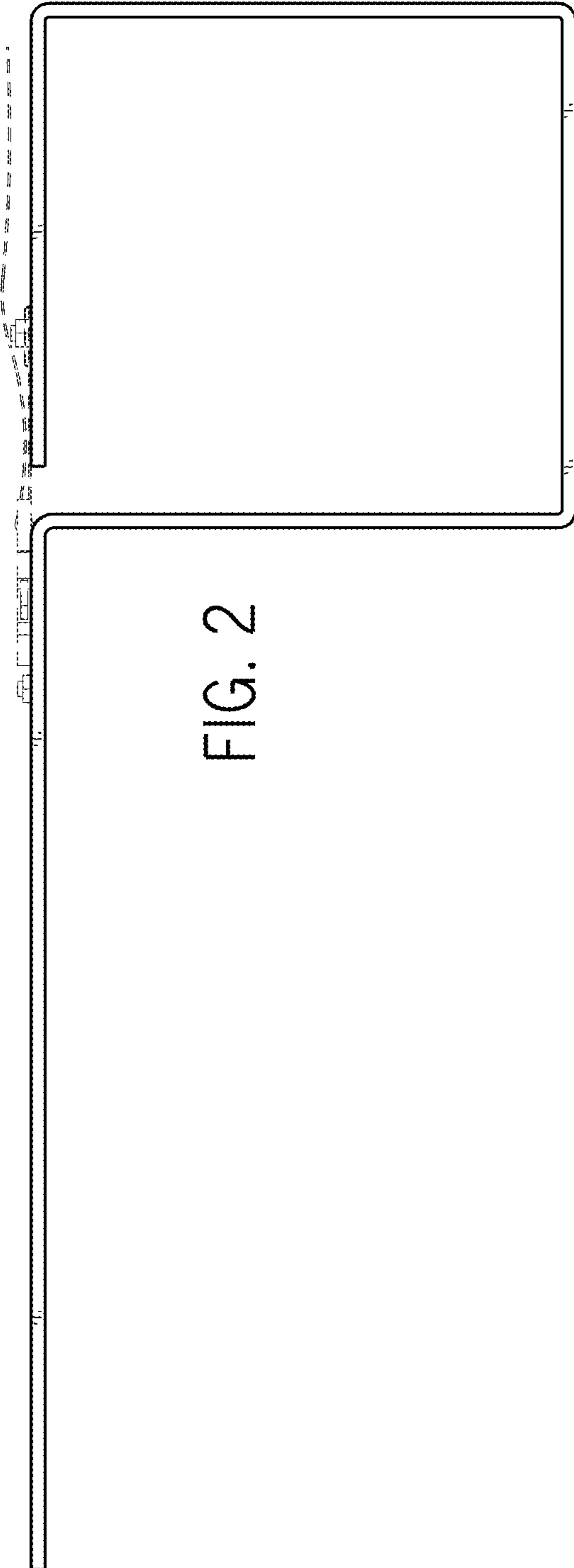


FIG. 1



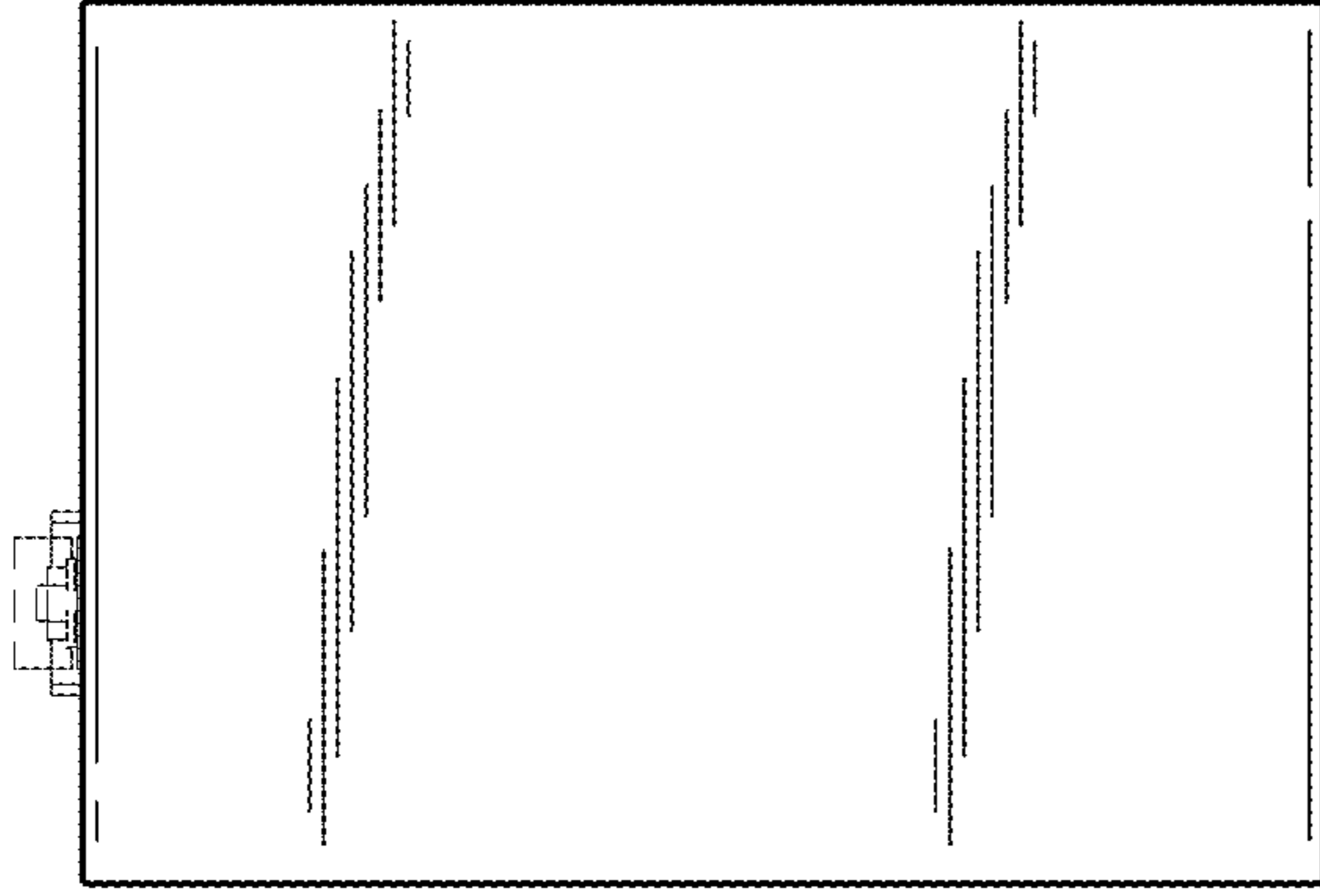


FIG. 4

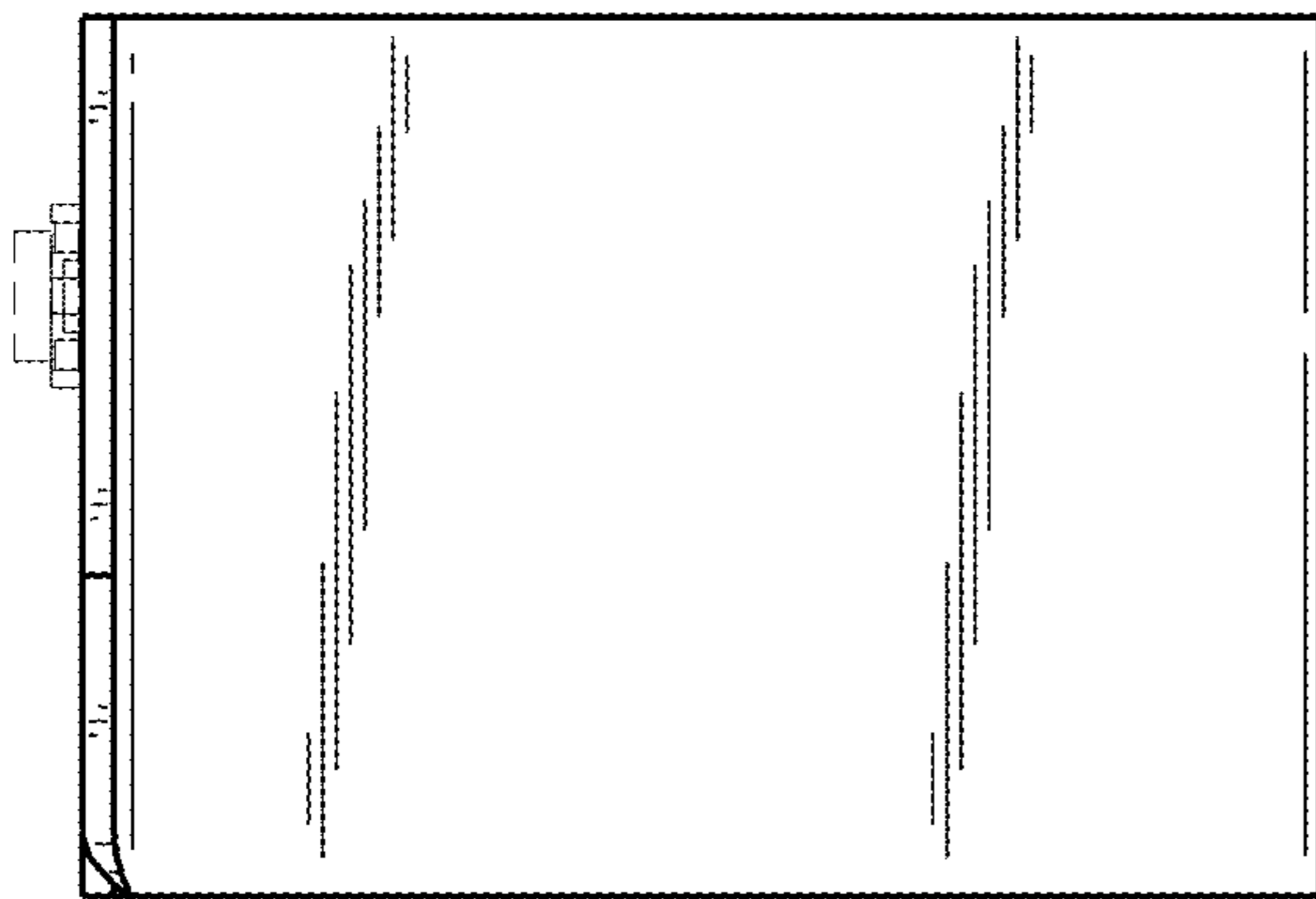


FIG. 5

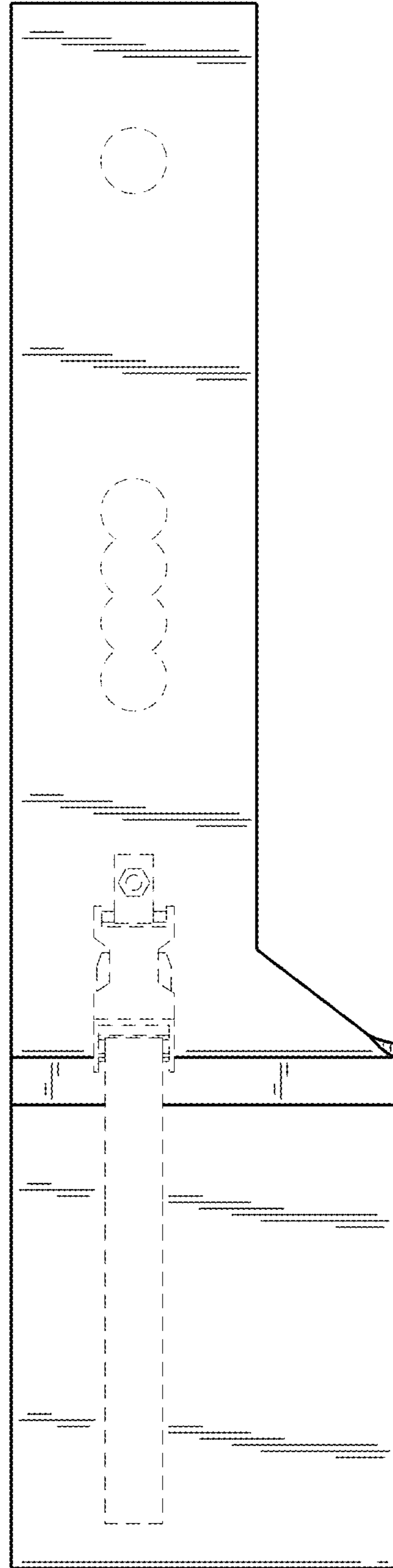


FIG. 6

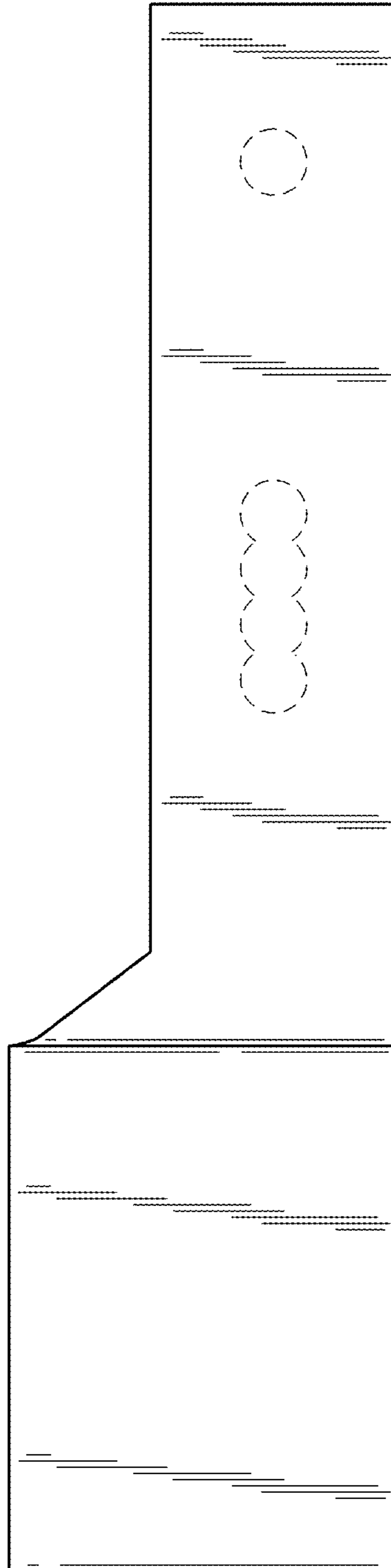


FIG. 7

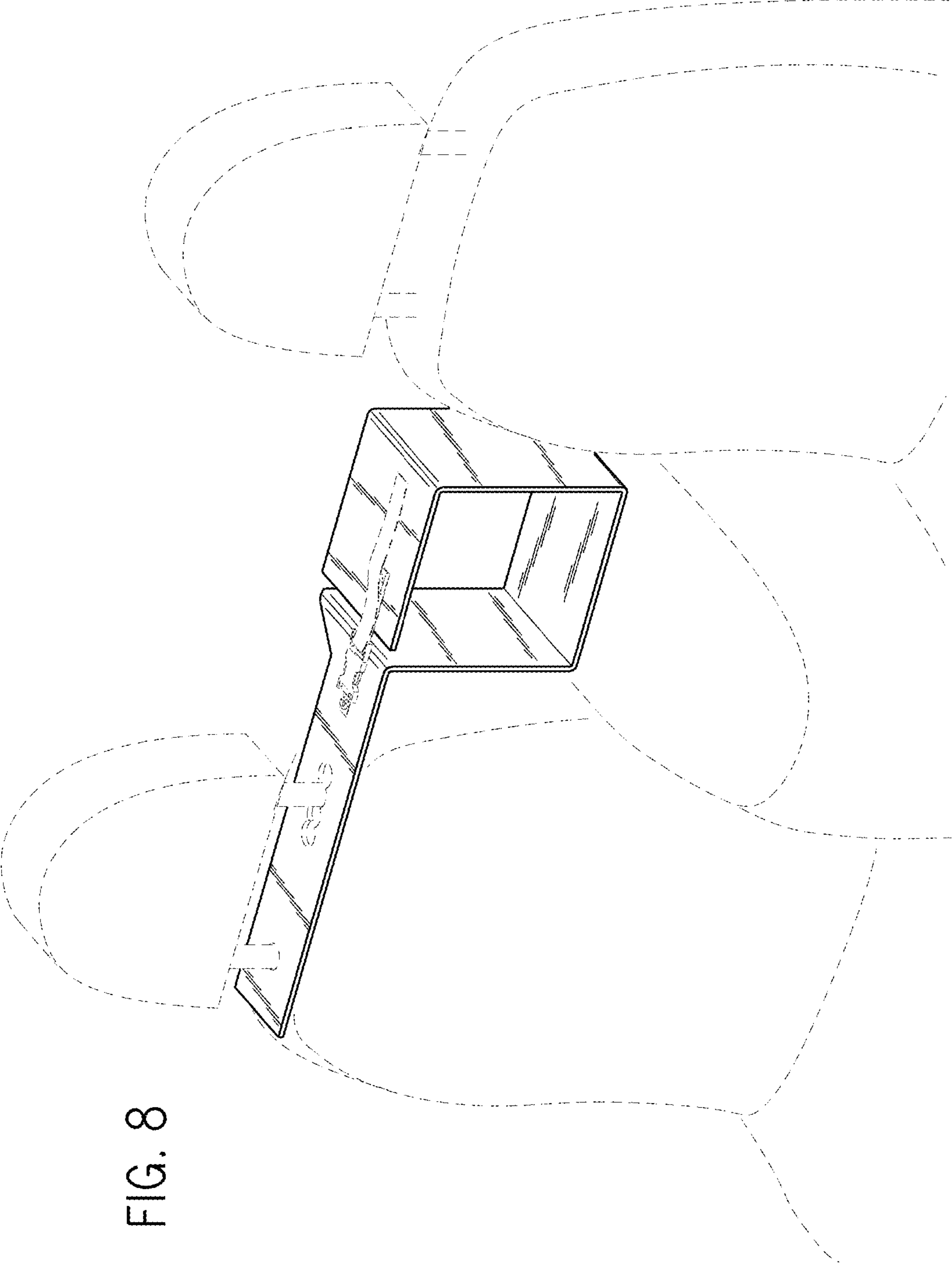


FIG. 8