



US00D777080S

(12) **United States Design Patent**
Cropley et al.

(10) **Patent No.:** **US D777,080 S**

(45) **Date of Patent:** **** Jan. 24, 2017**

(54) **ROOF RACK TRACK LEG**

(71) Applicant: **Rhino Rack Australia Pty Limited,**
New South Wales (AU)

(72) Inventors: **Richard Oswald Cropley,** New South
Wales (AU); **Michael John Laybourne**
Hort, New South Wales (AU);
Christopher John Murty, New South
Wales (AU)

(73) Assignee: **Rhino Rack Australia Pty Limited**
(AU)

(**) Term: **14 Years**

(21) Appl. No.: **29/510,664**

(22) Filed: **Dec. 2, 2014**

(51) **LOC (10) Cl.** **12-16**

(52) **U.S. Cl.**
USPC **D12/412**

(58) **Field of Classification Search**
USPC D12/412, 406, 413, 414, 414.1; D6/552;
D3/304–306
CPC B60R 9/058
See application file for complete search history.

(56) **References Cited**

U.S. PATENT DOCUMENTS

D495,654 S * 9/2004 Elwell D12/414
D499,372 S * 12/2004 Andersson D12/414

D638,345 S * 5/2011 Kanczuzewski D12/406
D669,017 S * 10/2012 Robertson D12/412
D709,818 S * 7/2014 Zhang D12/412
D711,307 S * 8/2014 Fair D12/412
D758,256 S * 6/2016 Cropley D12/412

* cited by examiner

Primary Examiner — Katrina A Betton

(74) *Attorney, Agent, or Firm* — Skinner and Associates;
Joel Skinner

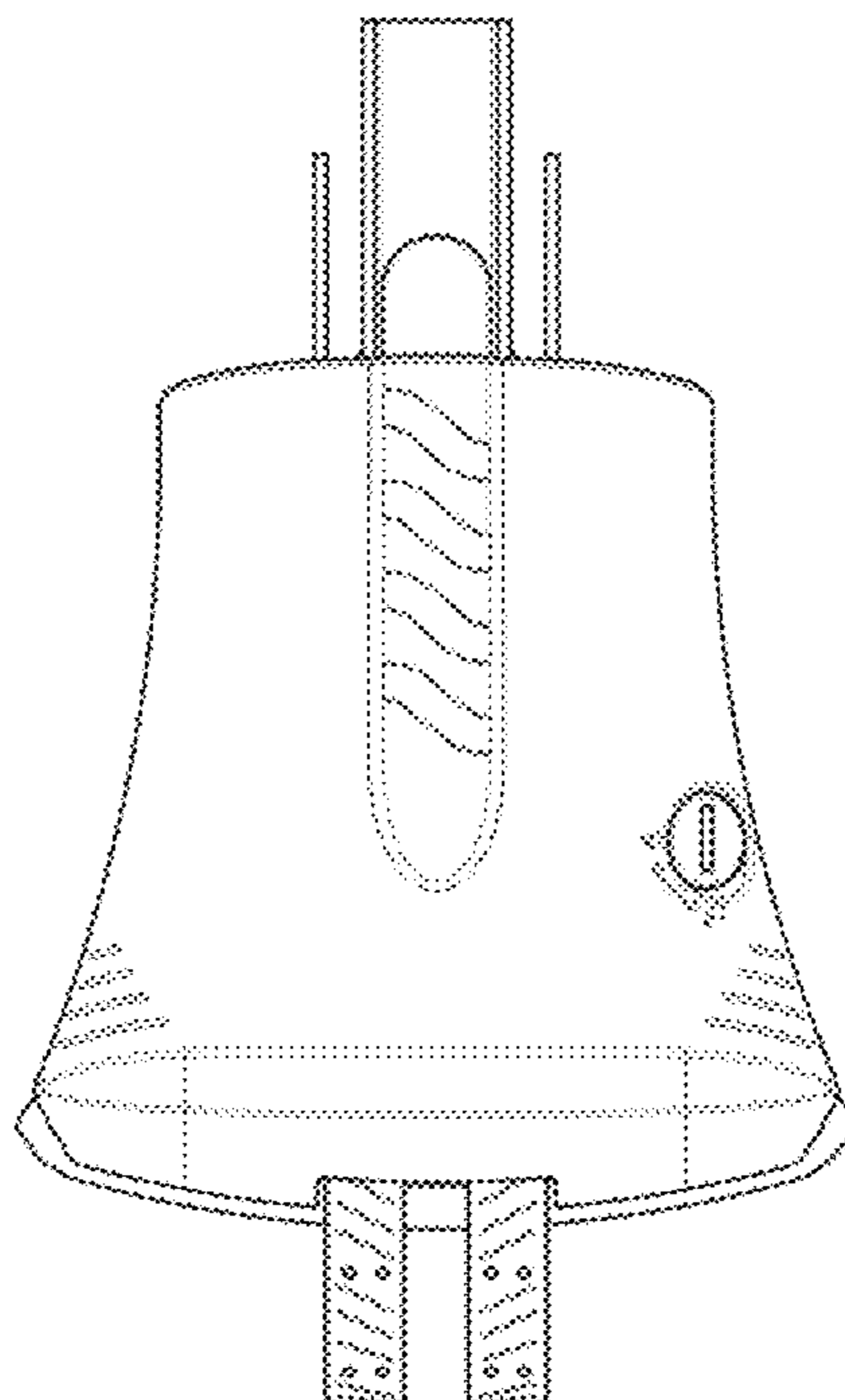
(57) **CLAIM**

The ornamental design for a roof rack track leg, as shown
and described.

DESCRIPTION

FIG. 1 is a perspective view from above of a roof rack track
leg showing an embodiment of the design of the invention.
FIG. 2 is a perspective view from below thereof.
FIG. 3 is a front view thereof.
FIG. 4 is a rear view thereof.
FIG. 5 is a right side view thereof.
FIG. 6 is a left side view thereof.
FIG. 7 is a top view thereof; and,
FIG. 8 is a bottom view thereof.

1 Claim, 8 Drawing Sheets



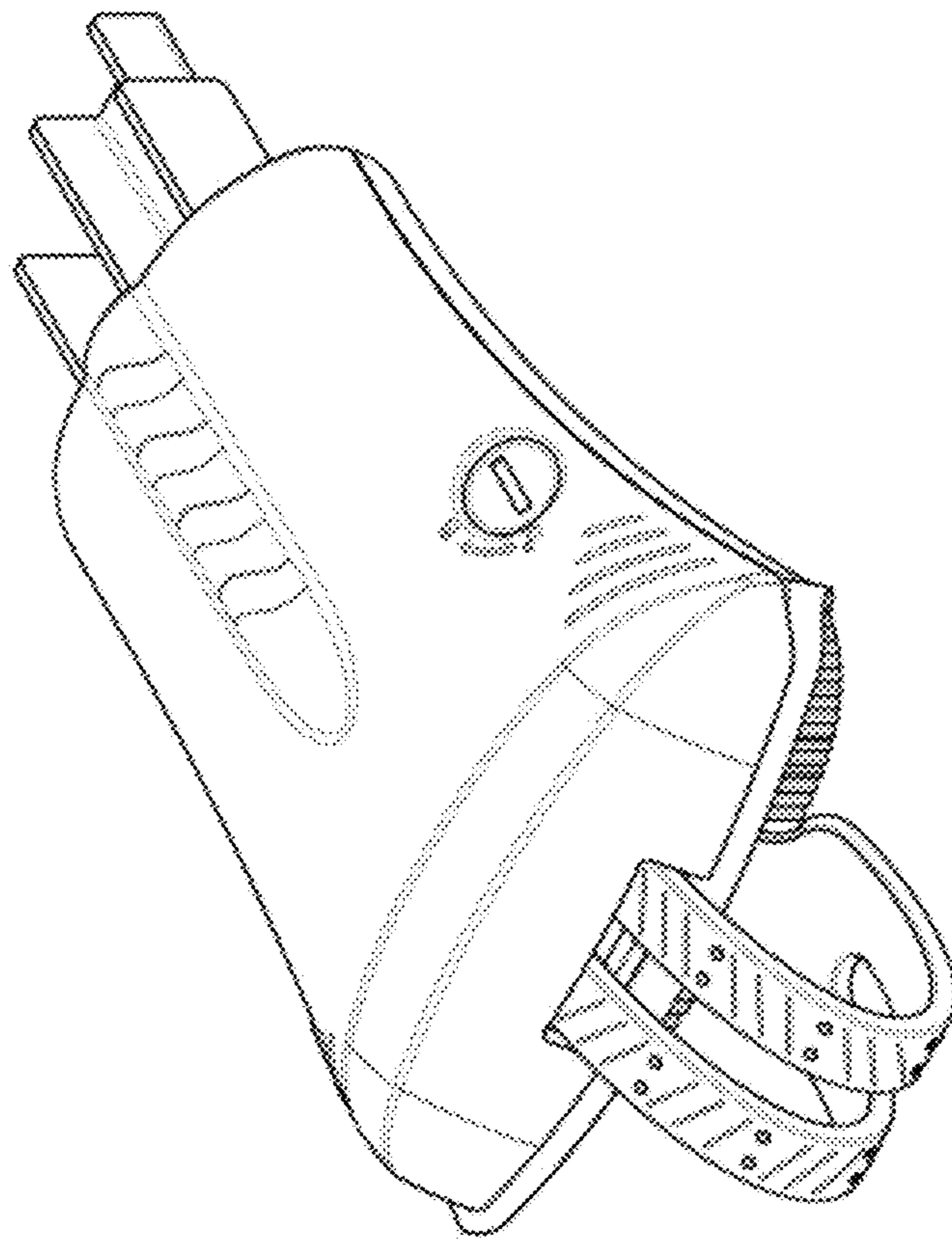


FIG. 1

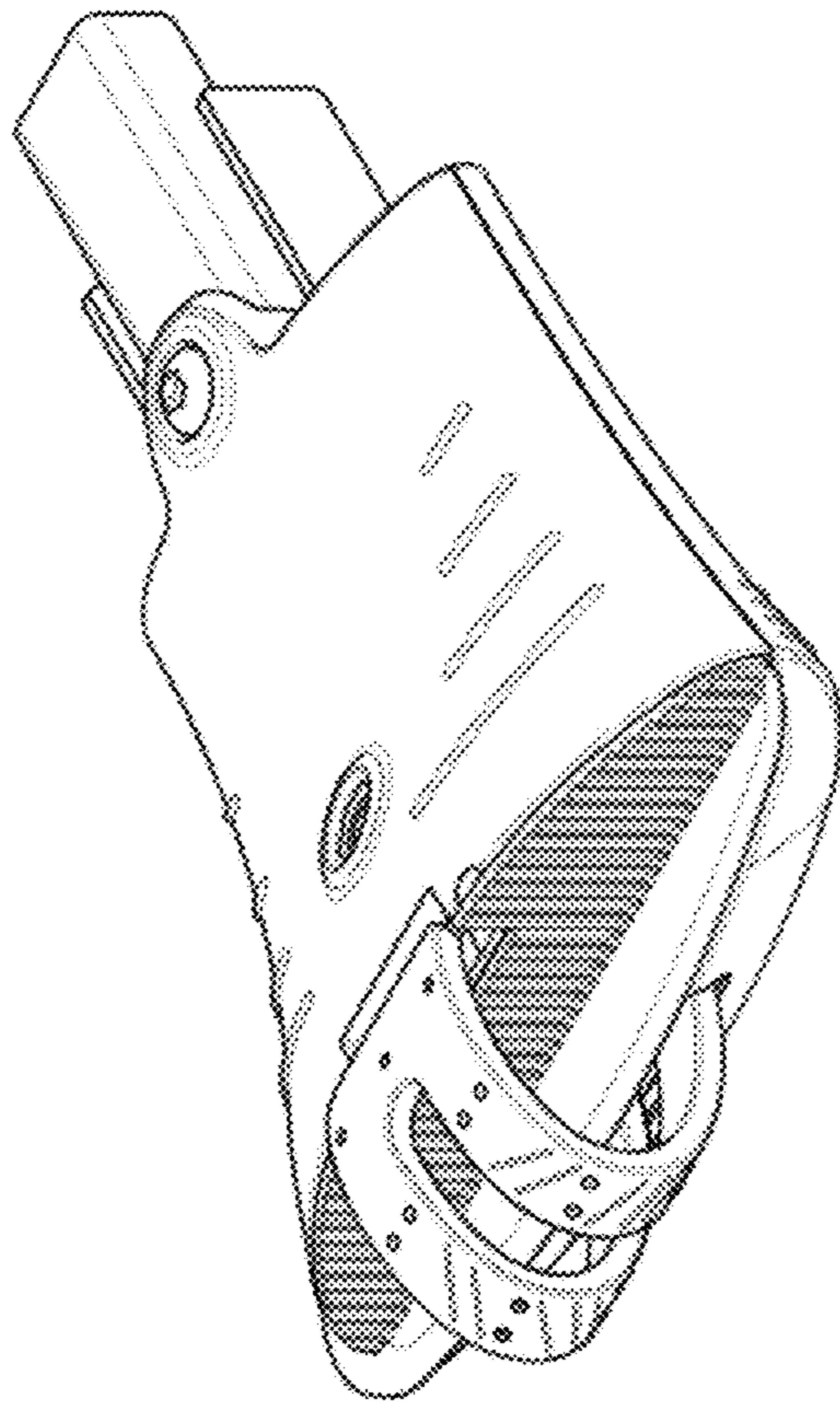


FIG. 2

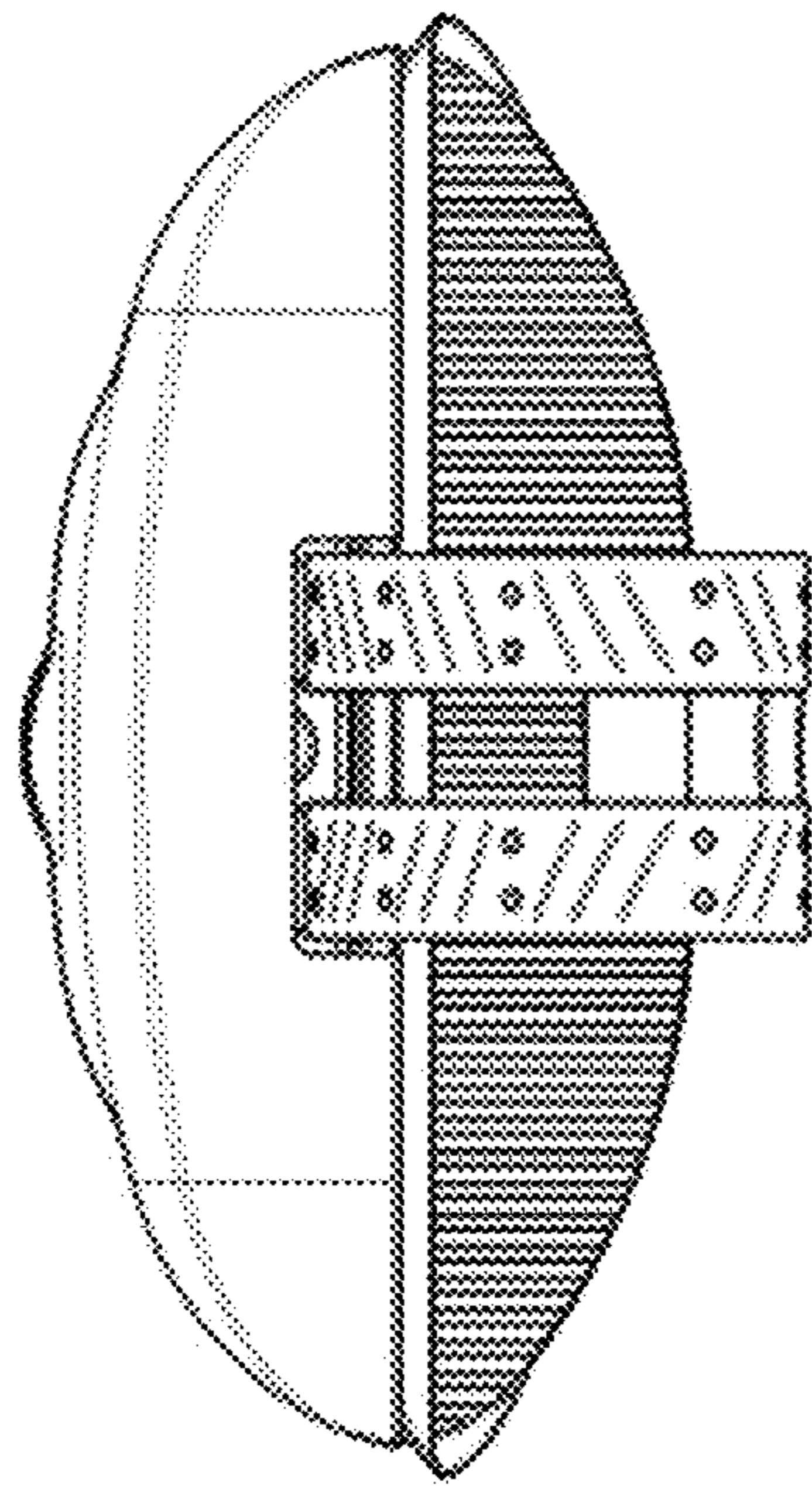


FIG. 3

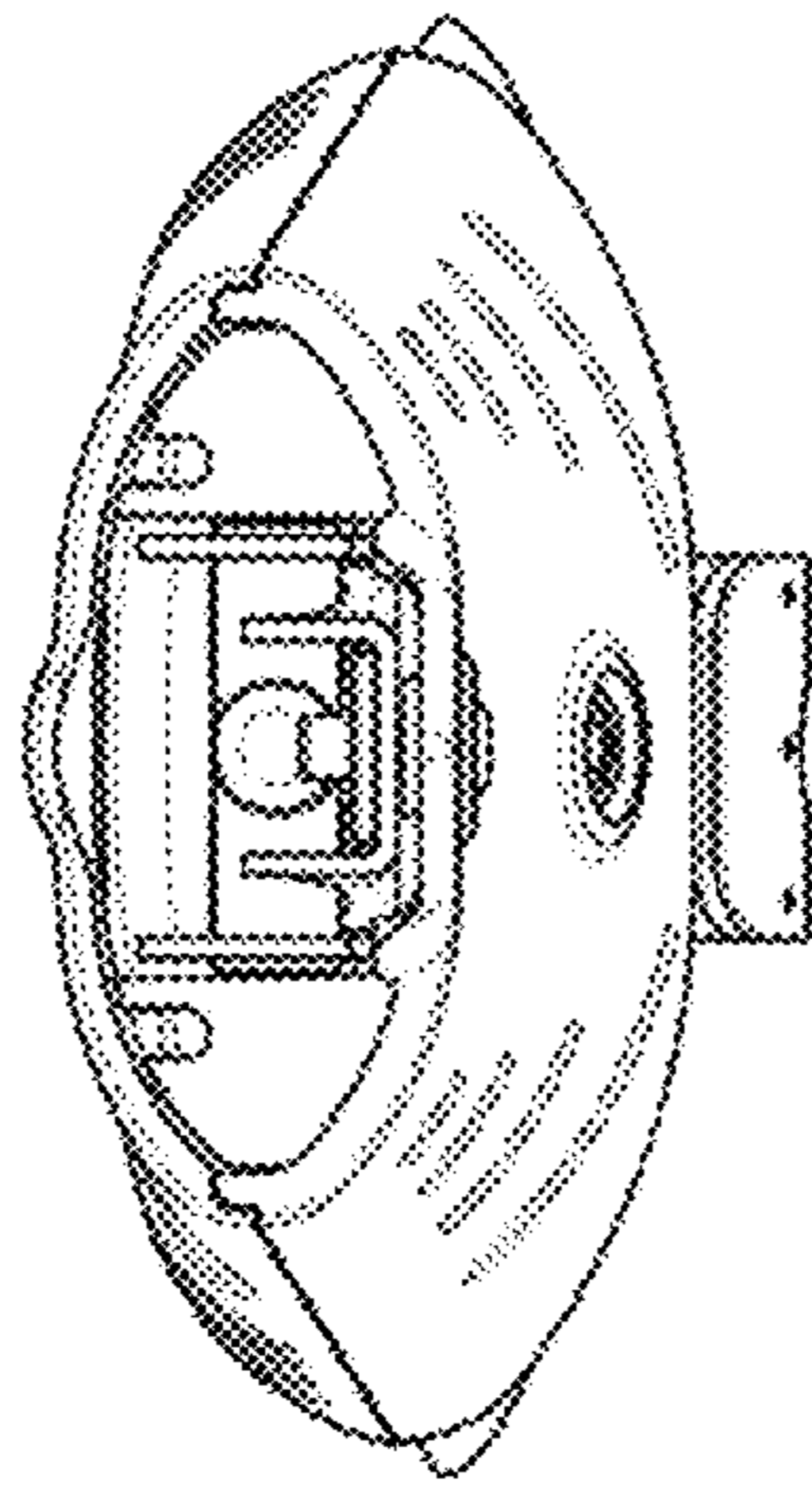


FIG. 4

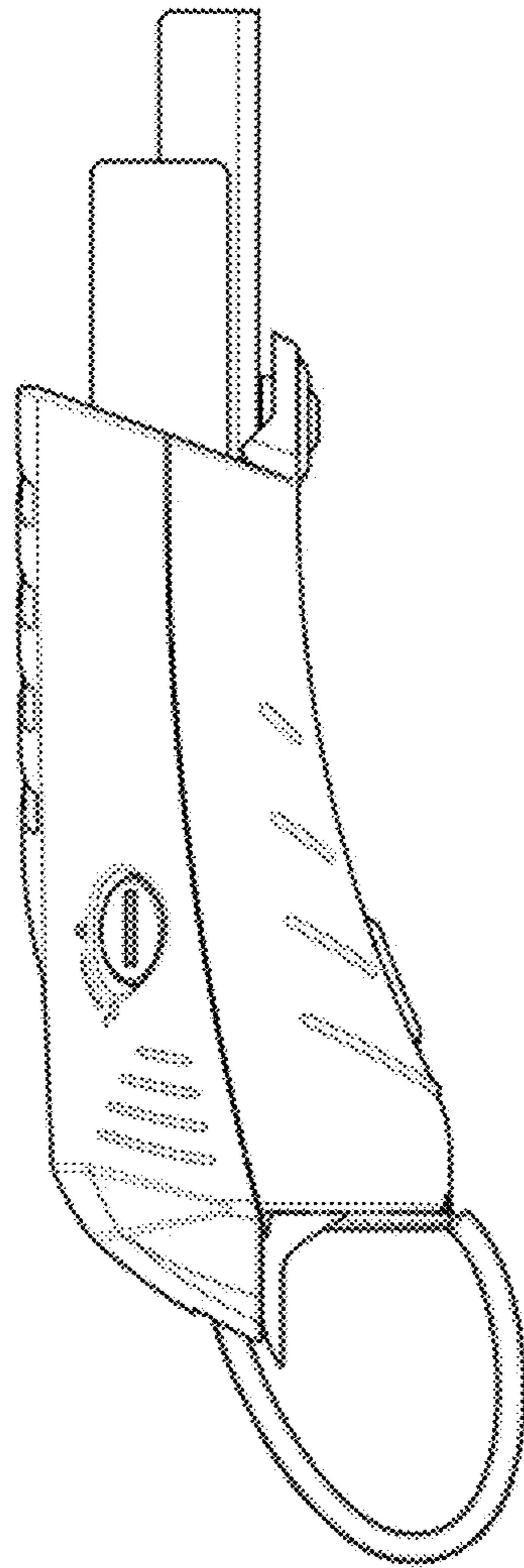


FIG. 5

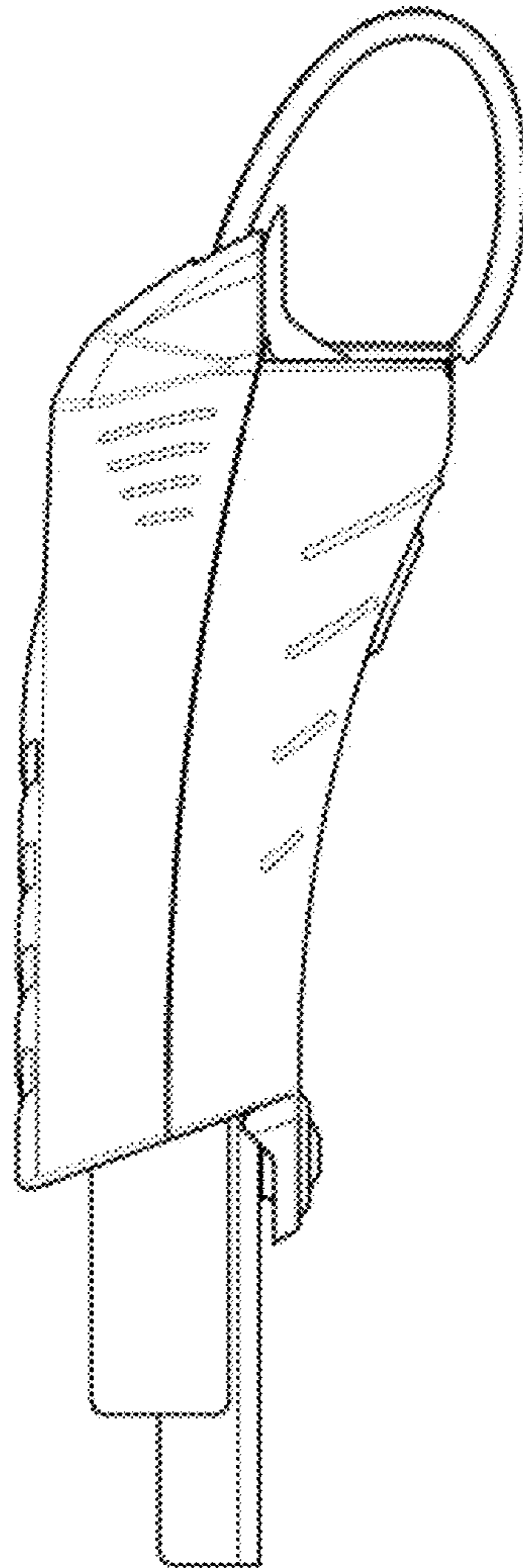


FIG. 6

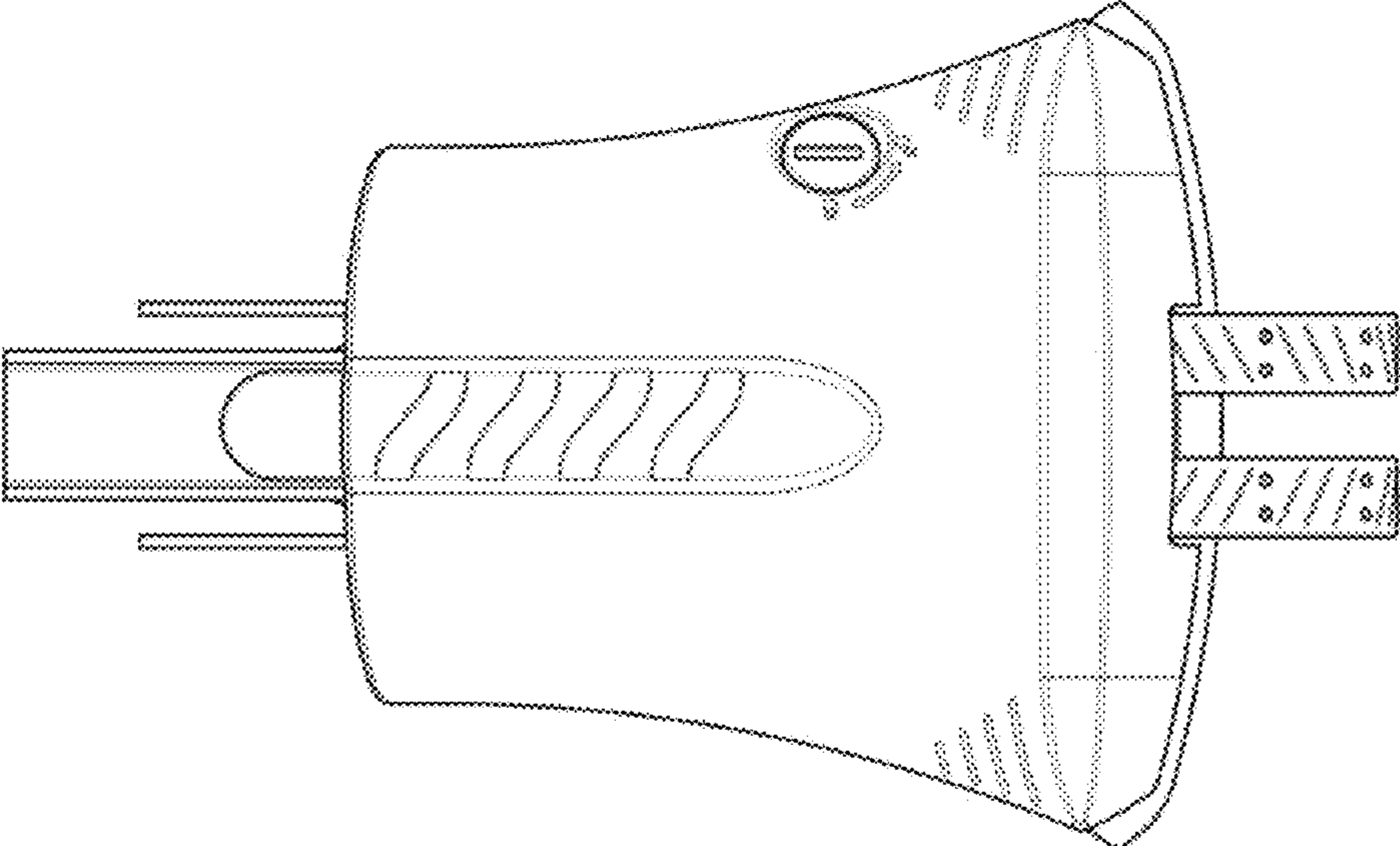


FIG. 7

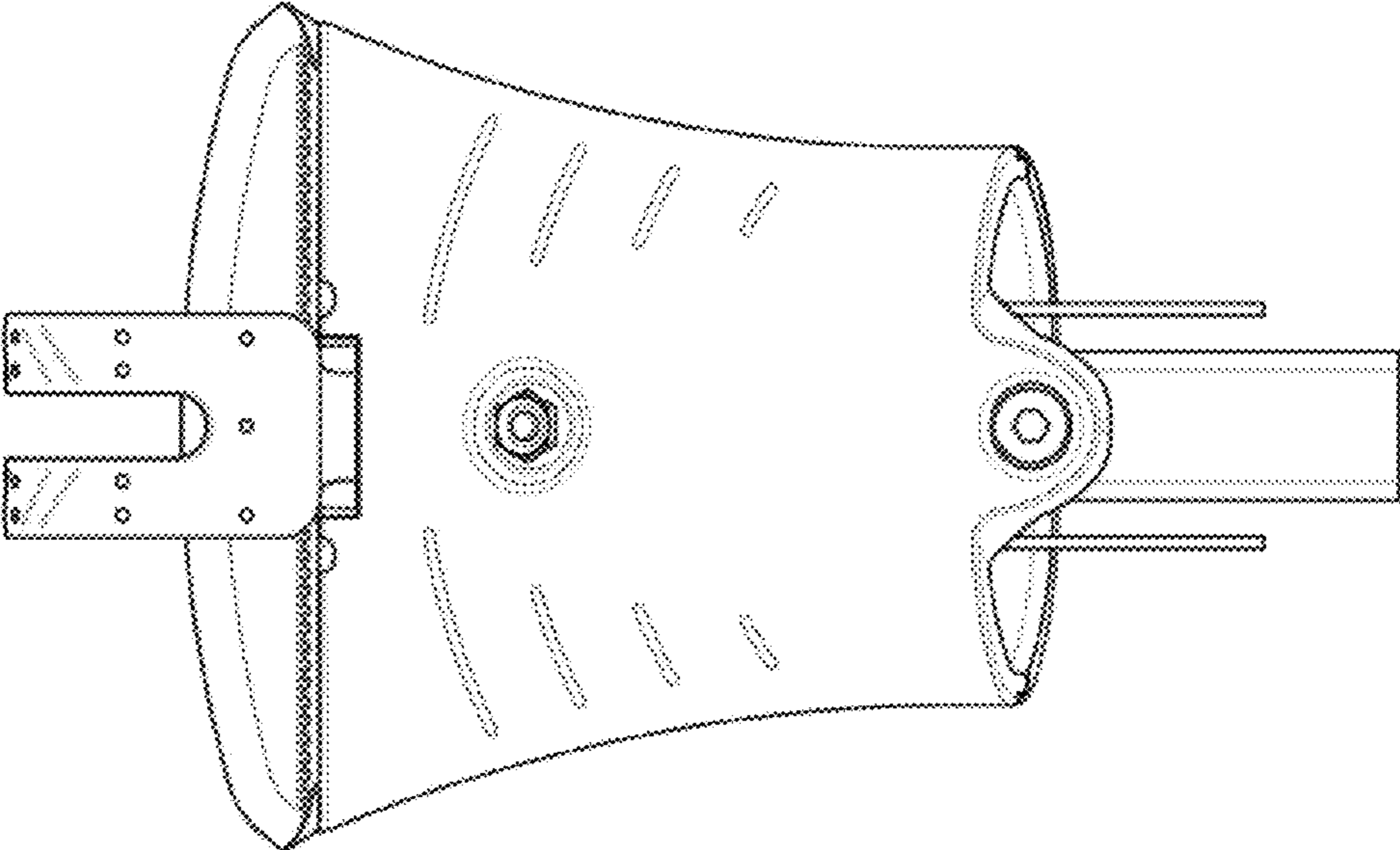


FIG. 8