



US00D777079S

(12) **United States Design Patent** (10) **Patent No.:** **US D777,079 S**
Tolentino et al. (45) **Date of Patent:** **** Jan. 24, 2017**

(54) **WIPER BLADE FRAME**
(71) Applicant: **Pylon Manufacturing Corp.**, Deerfield Beach, FL (US)
(72) Inventors: **Vambi Raymundo Tolentino**, Coconut Creek, FL (US); **Robert Peter Peers**, Boca Raton, FL (US)

2,946,078 A 7/1960 Deibel et al.
3,029,460 A 4/1962 Hoyler
3,037,233 A 6/1962 Peras et al.
3,056,991 A 10/1962 Smithers
3,082,464 A 3/1963 Smithers
(Continued)

(**) Term: **14 Years**

AR 206463 7/1976
AU 409933 2/1971
(Continued)

(21) Appl. No.: **29/504,287**

FOREIGN PATENT DOCUMENTS

(22) Filed: **Oct. 3, 2014**

(51) **LOC (10) Cl.** **12-06**

(52) **U.S. Cl.**
USPC **D12/220**

(58) **Field of Classification Search**
USPC D12/219-220
CPC B60S 1/4003; B60S 1/3801; B60S 2001/3815

International Search Report mailed Oct. 19, 2012 for PCT/US2012/048843 filed Jul. 30, 2012.

(Continued)

See application file for complete search history.

Primary Examiner — Katrina A Betton
(74) *Attorney, Agent, or Firm* — Cozen O'Connor

(57) **CLAIM**

We claim the ornamental design for a wiper blade frame, as shown and described.

(56) **References Cited**

DESCRIPTION

U.S. PATENT DOCUMENTS

D56,762 S 12/1920 Minier
2,310,751 A 2/1943 Scinta
2,550,094 A 4/1951 Smulski
2,589,339 A 3/1952 Carson
2,616,112 A 11/1952 Smulski
2,643,411 A 6/1953 Nesson
2,658,223 A 11/1953 Enochian
2,799,887 A 7/1957 Nemic
2,801,436 A 8/1957 Scinta
2,814,820 A 12/1957 Elliot et al.
2,890,472 A 6/1959 Olson
2,932,843 A 4/1960 Zaiger et al.
2,937,393 A 5/1960 Brueder

FIG. 1 is a perspective view of the wiper blade frame from the front and above.

FIG. 2. is a front view of the wiper blade frame.

FIG. 3 is a right-side view of the wiper blade frame.

FIG. 4 is a left-side view of the wiper blade frame.

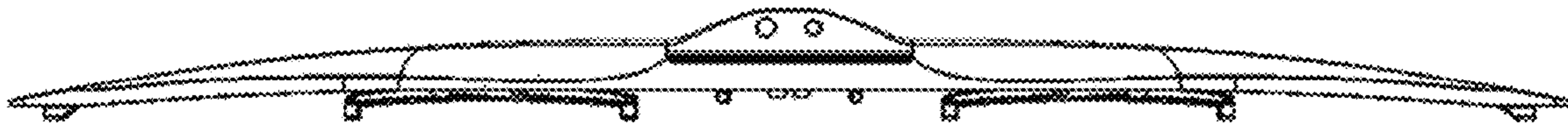
FIG. 5 is a back view of the wiper blade frame.

FIG. 6 is a top view of the wiper blade frame.

FIG. 7 is a bottom view of the wiper blade frame; and,

FIG. 8 is a perspective view of the wiper blade frame from behind and below.

1 Claim, 2 Drawing Sheets



(56)

References Cited

U.S. PATENT DOCUMENTS

3,088,155	A	5/1963	Smithers	D298,116	S	10/1988	Sussich
3,089,174	A	5/1963	Bignon	4,782,547	A	11/1988	Mohnach
3,104,412	A	9/1963	Hinder	D298,926	S	12/1988	Rusnak
3,116,510	A	1/1964	Oishei et al.	4,807,326	A	2/1989	Arai et al.
3,132,367	A	5/1964	Wise	D301,329	S	5/1989	Cavicchioli
3,139,644	A	7/1964	Smith	4,852,206	A	8/1989	Fisher
3,147,506	A	9/1964	Williams	D304,709	S	11/1989	Sussich
3,147,507	A	9/1964	Glynn	D307,408	S	4/1990	Mower et al.
3,192,551	A	7/1965	Appel	D308,352	S	6/1990	Bradley
3,234,578	A	2/1966	Golub et al.	D308,660	S	6/1990	Fisher
3,296,647	A	1/1967	Gumbleton	D308,845	S	6/1990	Charet et al.
3,317,945	A	5/1967	Ludwig	4,930,180	A	6/1990	Longman
3,317,946	A	5/1967	Anderson	D310,193	S	8/1990	Charet
3,350,738	A	11/1967	Anderson	4,971,472	A	11/1990	Pethers
D211,570	S	7/1968	Tomlin	4,976,001	A	12/1990	Wright
3,405,421	A	10/1968	Tomlin	4,984,325	A	1/1991	Arai et al.
3,418,679	A	12/1968	Barth et al.	4,989,290	A	2/1991	Hoshino
3,480,986	A	12/1969	Forster	5,042,106	A	8/1991	Maubray
3,588,941	A	6/1971	Schlesinger	5,056,183	A	10/1991	Haney, III
3,588,942	A	6/1971	Schlesinger	5,062,176	A	11/1991	Unterborn et al.
3,618,155	A	11/1971	Mower	D322,053	S	12/1991	Bradley
3,665,544	A	5/1972	Sakamoto	D322,772	S	12/1991	Leu et al.
3,673,631	A	7/1972	Yamadai et al.	D322,952	S	1/1992	Wu
3,685,086	A	8/1972	Frohlich	5,082,078	A	1/1992	Umeda et al.
3,751,754	A	8/1973	Quinlan et al.	D323,637	S	2/1992	Dipple
3,757,377	A	9/1973	Hayhurst	D324,014	S	2/1992	Ruminer
3,780,395	A	12/1973	Quinlan et al.	5,084,933	A	2/1992	Buechele
3,857,741	A	12/1974	Hultgren et al.	5,086,534	A	2/1992	Journee
3,862,465	A	1/1975	Ito	D324,359	S	3/1992	Chen
3,872,537	A	3/1975	Bianchi	D324,667	S	3/1992	Williams
3,879,793	A	4/1975	Schlegel	5,093,954	A	3/1992	Kuzuno
3,881,213	A	5/1975	Tilli	D327,461	S	6/1992	Nelson
3,881,214	A	5/1975	Palu	5,123,140	A	6/1992	Raymond
D236,337	S	8/1975	Deibel	D327,667	S	7/1992	Mar
3,942,212	A	3/1976	Steger et al.	D328,061	S	7/1992	Su
D240,809	S	8/1976	Deibel	5,138,739	A	8/1992	Maubray
3,995,347	A	12/1976	Kohler	D329,034	S	9/1992	Charet et al.
4,007,511	A	2/1977	Deibel	D329,997	S	10/1992	Leu
4,009,504	A	3/1977	Arman	D330,181	S	10/1992	Charet et al.
4,028,770	A	6/1977	Appel	D330,691	S	11/1992	Leu
4,047,480	A	9/1977	Vassiliou	D330,696	S	11/1992	Alain
4,063,328	A	12/1977	Arman	D331,036	S	11/1992	Isley
D248,388	S	7/1978	Hughes	D331,037	S	11/1992	Hsi
4,102,003	A	7/1978	Hancu	D331,212	S	11/1992	Poteet
4,127,912	A	12/1978	Deibel et al.	D331,556	S	12/1992	Ismert
4,127,916	A	12/1978	Van den Berg et al.	5,168,596	A	12/1992	Maubray
D253,040	S	10/1979	Fournier et al.	5,170,527	A	12/1992	Lyon, II
D253,167	S	10/1979	Fournier et al.	D332,593	S	1/1993	Gerardiello et al.
D257,339	S	10/1980	Ellinwood	5,179,761	A	1/1993	Buechele et al.
4,308,635	A	1/1982	Maiocco	5,182,831	A	2/1993	Knight
4,309,790	A	1/1982	Bauer et al.	D334,161	S	3/1993	Wu et al.
4,339,839	A	7/1982	Knights	D334,549	S	4/1993	Esquibel
4,342,126	A	8/1982	Neefeldt	5,206,969	A	5/1993	Patterson et al.
4,343,063	A	8/1982	Batt	D336,739	S	6/1993	Wu et al.
D267,939	S	2/1983	Duvoux	5,218,735	A	6/1993	Maubray
D267,940	S	2/1983	Duvoux	5,228,167	A	7/1993	Yang
D268,020	S	2/1983	Duvoux	5,233,721	A	8/1993	Yang
4,400,845	A	8/1983	Noguchi et al.	D341,561	S	11/1993	Heckman et al.
4,422,207	A	12/1983	Maiocco et al.	5,257,436	A	11/1993	Yang
4,438,543	A	3/1984	Noguchi et al.	D342,225	S	12/1993	Heckman et al.
4,464,808	A	8/1984	Berry	5,276,937	A	1/1994	Lan
4,547,925	A	10/1985	Blackborow et al.	5,283,925	A	2/1994	Maubray
4,561,143	A	12/1985	Beneteau	D345,329	S	3/1994	Kanellis et al.
D282,243	S	1/1986	Mason	D345,330	S	3/1994	Yang
D282,718	S	2/1986	Fireman	D345,537	S	3/1994	Bianco et al.
4,570,284	A	2/1986	Verton	D345,538	S	3/1994	Bianco et al.
4,587,686	A	5/1986	Thompson	5,307,536	A	5/1994	Lescher
4,590,638	A	5/1986	Beneteau	5,311,636	A	5/1994	Lee
D286,499	S	11/1986	Moreno	5,312,177	A	5/1994	Coulter
D287,709	S	1/1987	Mower et al.	D347,610	S	6/1994	Charet et al.
D295,020	S	4/1988	Franchi	5,319,826	A	6/1994	Mower
4,741,071	A	5/1988	Bauer et al.	5,325,564	A	7/1994	Swanepoel
D296,317	S	6/1988	Mower et al.	D349,877	S	8/1994	Oyama
4,760,934	A	8/1988	Epple et al.	5,333,351	A	8/1994	Sato
4,766,636	A	8/1988	Shinpo	D350,723	S	9/1994	Longazel
				5,349,716	A	9/1994	Millar
				D353,354	S	12/1994	Oyama
				5,372,449	A	12/1994	Bauer et al.
				5,383,248	A	1/1995	Ho

(56)

References Cited

U.S. PATENT DOCUMENTS

5,383,249	A	1/1995	Yang	D445,754	S	7/2001	Benoit
5,392,489	A	2/1995	Mohnach	6,266,843	B1	7/2001	Doman et al.
D357,626	S	4/1995	Snow et al.	6,279,191	B1	8/2001	Kotlarski et al.
5,408,719	A	4/1995	DeRees et al.	D448,295	S	9/2001	Mozes
5,412,177	A	5/1995	Clark	6,286,176	B1	9/2001	Westermann et al.
5,454,135	A	10/1995	Okuya et al.	6,292,974	B1	9/2001	Merkel et al.
5,463,790	A	11/1995	Chiou et al.	6,295,690	B1	10/2001	Merkel et al.
D365,079	S	12/1995	Abbott et al.	6,301,742	B1	10/2001	Kota
5,485,650	A	1/1996	Swanepoel	6,305,066	B1	10/2001	De Paoli et al.
5,487,205	A	1/1996	Scherch et al.	6,308,373	B1	10/2001	Merkel et al.
5,497,528	A	3/1996	Wu	6,327,738	B1	12/2001	Lewis
5,509,166	A	4/1996	Wagner et al.	6,332,236	B1	12/2001	Ku
D370,199	S	5/1996	Kim	D453,316	S	2/2002	Watanabe
D370,653	S	6/1996	Kim	6,363,569	B1	4/2002	Kotlarski
D370,654	S	6/1996	Kim	6,367,117	B1	4/2002	Sahara et al.
D372,217	S	7/1996	Abbott et al.	D457,479	S	5/2002	De Block et al.
5,564,157	A	10/1996	Kushida et al.	6,393,654	B2	5/2002	Nacamuli
5,566,419	A	10/1996	Zhou	6,397,428	B2	6/2002	Kotlarski
D375,289	S	11/1996	Waselewski et al.	D462,044	S	8/2002	Gfatter et al.
5,577,292	A	11/1996	Blachetta et al.	6,427,282	B1	8/2002	Kotlarski
D376,792	S	12/1996	Chodkiewicz	6,434,780	B1	8/2002	Kotlarski
5,593,125	A	1/1997	Storz et al.	6,449,797	B1	9/2002	De Block
D377,754	S	2/1997	Abbott et al.	6,453,505	B1	9/2002	Terai
D379,613	S	6/1997	Chen	D464,012	S	10/2002	Hussaini et al.
D382,848	S	8/1997	Chen	D464,600	S	10/2002	Chen
5,661,870	A	9/1997	Eustache et al.	6,499,181	B1	12/2002	Kotlarski
D389,449	S	1/1998	Hussaini	D469,731	S	2/2003	Geer
D390,823	S	2/1998	Baranowski et al.	6,516,491	B2	2/2003	Merkel et al.
D392,612	S	3/1998	Jonasson et al.	6,523,218	B1	2/2003	Kotlarski
5,732,437	A	3/1998	Jonasson et al.	6,530,111	B1	3/2003	Kotlarski
D393,619	S	4/1998	Jeffer et al.	D472,510	S	4/2003	Lin
D395,271	S	6/1998	Kim	D473,180	S	4/2003	Sun
D395,864	S	7/1998	Stahlhut et al.	6,550,096	B1	4/2003	Stewart et al.
D395,865	S	7/1998	Powell et al.	6,553,607	B1	4/2003	De Block
D396,840	S	8/1998	Vita	D474,143	S	5/2003	Ho
5,836,110	A	11/1998	Buening	6,564,441	B2	5/2003	Ibe et al.
D402,953	S	12/1998	Kim	6,581,237	B1	6/2003	Kotlarski
D404,354	S	1/1999	Witek et al.	6,606,759	B1	8/2003	Hoshino
D406,094	S	2/1999	Lai	6,609,267	B1	8/2003	Journee et al.
D406,257	S	3/1999	Lee	6,611,988	B1	9/2003	De Block
5,875,672	A	3/1999	Fourie et al.	6,619,094	B2	9/2003	Juhl
5,885,023	A	3/1999	Witek et al.	6,622,540	B2	9/2003	Jones et al.
5,899,334	A	5/1999	Domerchie et al.	6,625,842	B1	9/2003	De Block
D411,161	S	6/1999	Wooten	6,632,738	B2	10/2003	Sone
D411,504	S	6/1999	Hsu	6,634,056	B1	10/2003	De Block
5,907,885	A	6/1999	Tilli et al.	6,640,380	B2	11/2003	Rosenstein et al.
5,920,947	A	7/1999	Varner	6,643,889	B1	11/2003	Kotlarski
D414,456	S	9/1999	Hussaini et al.	6,651,292	B2	11/2003	Komerska
5,970,569	A	10/1999	Merkel et al.	6,665,904	B1	12/2003	Kerchaert
5,970,570	A	10/1999	Groninger	6,668,419	B1	12/2003	Kotlarski
D417,180	S	11/1999	Shih	6,675,433	B1	1/2004	Stewart et al.
D418,103	S	12/1999	Don	6,675,434	B1	1/2004	Wilhelm et al.
D418,474	S	1/2000	Witek et al.	6,681,440	B2	1/2004	Zimmer et al.
D419,950	S	2/2000	Spector	D487,047	S	2/2004	Kim
6,055,697	A	5/2000	Wollenschlaeger	6,687,948	B2	2/2004	Kotlarski
6,063,216	A	5/2000	Damm et al.	6,718,594	B1	4/2004	Kotlarski
D427,134	S	6/2000	Lee	D490,763	S	6/2004	Kim
6,088,872	A	7/2000	Schmid et al.	D494,125	S	8/2004	Leu
D430,097	S	8/2000	Breesch et al.	D494,527	S	8/2004	Hsu
6,101,665	A	8/2000	Sahara et al.	D494,528	S	8/2004	Chiang
D431,223	S	9/2000	Breesch et al.	6,785,931	B2	9/2004	Lee et al.
6,119,301	A	9/2000	Nakatsukasa et al.	6,789,289	B2	9/2004	Roodt
D431,520	S	10/2000	Breesch et al.	6,792,644	B2	9/2004	Roodt
D432,072	S	10/2000	Breesch et al.	6,796,000	B2	9/2004	Varner
D434,715	S	12/2000	Wang	6,806,452	B2	10/2004	Bos et al.
6,158,078	A	12/2000	Kotlarski	6,810,555	B2	11/2004	Ritt
6,161,248	A	12/2000	Merkel et al.	6,810,556	B1	11/2004	Kotlarski
6,192,546	B1	2/2001	Kotlarski	6,813,803	B2	11/2004	Leutsch
6,202,251	B1	3/2001	Kotlarski	6,813,923	B2	11/2004	Jones et al.
D442,537	S	5/2001	Kim	6,820,302	B2	11/2004	Zimmer
6,226,829	B1	5/2001	Kotlarski	6,820,303	B2	11/2004	Zimmer et al.
D443,245	S	6/2001	Kim	6,820,304	B1	11/2004	Gossez et al.
D443,582	S	6/2001	De Block	D499,962	S	12/2004	Lee et al.
D443,854	S	6/2001	De Block	D500,728	S	1/2005	Leu
D444,760	S	7/2001	Houssat et al.	6,836,924	B2	1/2005	Egan-Walter
				6,836,925	B1	1/2005	Swanepoel
				6,836,926	B1	1/2005	De Block
				6,836,927	B2	1/2005	De Block et al.
				D501,819	S	2/2005	Hsu

(56)

References Cited

U.S. PATENT DOCUMENTS

6,857,160 B2	2/2005	Weiler et al.	7,506,401 B2	3/2009	Park
6,859,971 B2	3/2005	Siklosi	7,509,704 B2	3/2009	Bauer et al.
6,874,195 B2	4/2005	Kotlarski	7,523,519 B2	4/2009	Egner-Walter et al.
6,883,966 B2	4/2005	Zimmer	7,523,520 B2	4/2009	Breesch
6,886,213 B2	5/2005	Merkel et al.	7,523,522 B2	4/2009	Herring et al.
6,904,639 B2	6/2005	Dietrich et al.	7,526,832 B2	5/2009	Matsumoto et al.
6,910,243 B1	6/2005	Zimmer	7,527,151 B2	5/2009	Park
6,910,244 B2	6/2005	De Block et al.	D593,480 S	6/2009	Kim
D508,226 S	8/2005	Lin	7,543,353 B2	6/2009	Ko
D508,888 S	8/2005	Carroll	7,552,502 B2	6/2009	Kagawa et al.
6,944,905 B2	9/2005	De Block et al.	D596,102 S	7/2009	Kim
6,946,810 B2	9/2005	Kohlrausch	7,559,110 B1	7/2009	Kotlarski et al.
6,951,043 B1	10/2005	Fehrson	D601,077 S	9/2009	Kim
D511,735 S	11/2005	Aoyama et al.	7,581,280 B2	9/2009	Op't Roodt et al.
6,964,079 B2	11/2005	Zimmer	7,581,887 B2	9/2009	Zimmer
6,964,080 B2	11/2005	Knauf	7,596,479 B2	9/2009	Weiler et al.
6,966,096 B2	11/2005	Baseotto et al.	7,603,741 B2	10/2009	Verelst et al.
D512,362 S	12/2005	Breesch et al.	7,603,742 B2	10/2009	Nakano et al.
6,973,698 B1	12/2005	Kotlarski	7,607,194 B2	10/2009	Weber et al.
6,978,512 B2	12/2005	Dietrich et al.	7,614,499 B2	11/2009	Mueller
7,007,339 B2	3/2006	Weilet et al.	7,621,016 B2	11/2009	Verelst et al.
7,024,722 B2	4/2006	Neubauer et al.	7,628,560 B2	12/2009	Westermann et al.
7,036,181 B2	5/2006	Zimmer	7,636,980 B2	12/2009	Nakano
D522,380 S	6/2006	Dibnah et al.	D608,717 S	1/2010	Aglassinger
7,055,207 B2	6/2006	Coughlin	D610,518 S	2/2010	Aglassinger
7,055,208 B2	6/2006	Merkel et al.	D610,519 S	2/2010	Aglassinger
7,076,829 B2	7/2006	Ritt	D610,520 S	2/2010	Aglassinger
D527,336 S	8/2006	Van Baelen	D611,809 S	3/2010	Borgerson et al.
7,093,317 B1	8/2006	Zimmer	7,669,276 B2	3/2010	Verelst et al.
7,134,163 B2	11/2006	Varner	7,687,565 B2	3/2010	Geilenkirchen
7,137,167 B2	11/2006	Torii et al.	7,690,073 B2	4/2010	Marmoy et al.
7,143,463 B2	12/2006	Baseotto et al.	7,699,169 B2	4/2010	Lewis
7,150,065 B2	12/2006	Zimmer	D615,918 S	5/2010	Kim
7,150,066 B1	12/2006	Huang	7,707,680 B2	5/2010	Hawighorst et al.
7,150,795 B2	12/2006	Javaruski et al.	7,716,780 B2	5/2010	Scholl et al.
7,166,979 B2	1/2007	Zimmer	7,743,457 B2	6/2010	Metz
7,171,718 B2	2/2007	Moein et al.	7,748,076 B2	7/2010	Weiler et al.
D538,218 S	3/2007	Elwell et al.	D621,322 S	8/2010	Lee et al.
7,196,440 B2	3/2007	Lamprecht	7,780,214 B2	8/2010	Kraus et al.
7,228,588 B2	6/2007	Kraemer et al.	7,788,761 B2	9/2010	Weiler et al.
D546,669 S	7/2007	Sheppard et al.	7,793,382 B2	9/2010	Van De Rovaart
D547,713 S	7/2007	Goeller	7,797,787 B2	9/2010	Wilms et al.
D549,152 S	8/2007	Goeller	7,805,800 B2	10/2010	Wilms et al.
7,256,565 B2	8/2007	Merkel et al.	7,810,206 B2	10/2010	Weiler et al.
7,257,856 B2	8/2007	Zimmer	7,814,611 B2	10/2010	Heinrich et al.
7,258,233 B2	8/2007	Lee	7,823,953 B2	11/2010	Haas
7,272,890 B2	9/2007	Zimmer et al.	7,832,045 B2	11/2010	Weiler et al.
D552,486 S	10/2007	Herring et al.	7,832,047 B2	11/2010	Herinckx et al.
7,281,294 B2	10/2007	Wilms et al.	7,836,542 B2	11/2010	Dietrich et al.
7,293,321 B2	11/2007	Breesch	7,849,553 B2	12/2010	Weiler et al.
7,299,520 B2	11/2007	Huang	7,886,401 B2	2/2011	Weber et al.
7,316,047 B2	1/2008	Thienard	7,891,043 B2	2/2011	Kraus et al.
7,316,048 B2	1/2008	Yamane et al.	7,891,044 B2	2/2011	Fink et al.
7,337,900 B2	3/2008	Reiber et al.	7,895,702 B2	3/2011	Tisch et al.
7,353,562 B2	4/2008	Huang	7,895,703 B2	3/2011	Ina et al.
D569,327 S	5/2008	Lin	7,898,141 B2	3/2011	Hurst et al.
D569,328 S	5/2008	Lin	7,899,596 B2	3/2011	Zimmer
7,370,385 B2	5/2008	Chiang	7,908,703 B2	3/2011	Van Bealen
D573,457 S	7/2008	Park	7,908,704 B2	3/2011	Kraemer
7,398,577 B2	7/2008	Genet	7,921,506 B2	4/2011	Chiang
D577,324 S	9/2008	McCray	7,926,659 B2	4/2011	Kim
D579,849 S	11/2008	Garrastacho et al.	7,930,796 B2	4/2011	Weiler et al.
7,451,520 B2	11/2008	Weiler et al.	D637,132 S	5/2011	Kim
D582,765 S	12/2008	Gustafson et al.	7,937,798 B2	5/2011	Fink et al.
7,461,429 B2	12/2008	Huang	7,941,891 B2	5/2011	Breesch
7,464,433 B2	12/2008	Thomar et al.	7,941,892 B2	5/2011	Kraus et al.
D584,160 S	1/2009	Zimmermann	7,945,985 B2	5/2011	Stubner
7,472,451 B2	1/2009	Hara et al.	7,945,987 B2	5/2011	Verelst et al.
D586,663 S	2/2009	Tidqvist	7,950,717 B2	5/2011	Metz
D586,716 S	2/2009	Radfar	7,962,787 B2	6/2011	Camilleri et al.
D586,717 S	2/2009	Depondt	7,966,689 B2	6/2011	Rovaart et al.
D587,186 S	2/2009	Herinckx et al.	7,971,312 B2	7/2011	Crabee et al.
7,484,264 B2	2/2009	Kraemer et al.	7,975,849 B2	7/2011	Kim
7,493,672 B2	2/2009	Op't Roodt	7,989,955 B2	8/2011	Yagi
D588,933 S	3/2009	Bonzagni et al.	7,996,953 B2	8/2011	Braun et al.
			D644,925 S	9/2011	Jaworski
			8,020,246 B2	9/2011	Bauer et al.
			8,020,248 B2	9/2011	Hasegawa
			8,020,249 B2	9/2011	Masuda et al.

(56)

References Cited

U.S. PATENT DOCUMENTS

8,026,645 B2 9/2011 Stubner et al.
 D647,451 S * 10/2011 Lin D12/220
 8,042,690 B2 10/2011 Lewis
 D647,795 S 11/2011 Eaton et al.
 8,051,526 B2 11/2011 Summerville et al.
 8,060,976 B2 11/2011 Mayer et al.
 8,069,528 B2 12/2011 Verelst et al.
 8,076,807 B2 12/2011 Bohn et al.
 D651,509 S 1/2012 Methe et al.
 8,096,013 B2 1/2012 Eschenbrenner et al.
 8,099,823 B2 1/2012 Kraemer et al.
 8,104,134 B2 1/2012 Ritt
 8,104,136 B2 1/2012 Carangelo
 8,117,710 B2 2/2012 Kraus et al.
 8,125,111 B2 2/2012 Bohn et al.
 8,141,198 B2 3/2012 Wilms et al.
 8,148,467 B2 4/2012 Pieters et al.
 8,151,656 B2 4/2012 Nicgorski, II
 D658,494 S 5/2012 Raimer et al.
 8,181,308 B2 5/2012 Kwon et al.
 8,186,002 B2 5/2012 Kinnaert et al.
 8,191,200 B2 6/2012 Kim
 8,261,403 B2 9/2012 Ehde
 8,261,405 B2 9/2012 Kim et al.
 8,272,096 B2 9/2012 Wilms et al.
 8,381,348 B2 2/2013 Egner-Walter et al.
 8,413,291 B2 4/2013 Wu
 8,434,621 B2 5/2013 Hun et al.
 D684,862 S 6/2013 DiFranza
 8,474,088 B2 7/2013 Wu
 8,490,239 B2 7/2013 Ehde
 8,505,724 B2 8/2013 Bult et al.
 8,510,897 B2 8/2013 Ku
 8,510,898 B2 8/2013 Ku
 8,544,137 B2 10/2013 Thienard
 8,555,456 B2 10/2013 Ehde
 D692,750 S 11/2013 Ehde et al.
 8,613,357 B2 12/2013 Putnam
 D702,619 S * 4/2014 Kim D12/220
 D704,620 S 5/2014 Kim
 D717,225 S * 11/2014 Kuo D12/220
 D725,025 S * 3/2015 Poton D12/220
 2001/0013236 A1 8/2001 Weyerstall et al.
 2002/0043092 A1 4/2002 Jones et al.
 2002/0112306 A1 8/2002 Komerska
 2003/0014828 A1 1/2003 Edner-Walter et al.
 2003/0028990 A1 2/2003 Zimmer
 2003/0033683 A1 2/2003 Kotlarski
 2003/0159229 A1 8/2003 Weiler et al.
 2003/0209049 A1 11/2003 Jones et al.
 2003/0221276 A1 12/2003 Siklosi
 2003/0229961 A1 12/2003 Barnett
 2004/0010882 A1 1/2004 Breesch
 2004/0025280 A1 2/2004 Krickau et al.
 2004/0025281 A1 2/2004 Baseotto et al.
 2004/0098821 A1 5/2004 Kraemer et al.
 2004/0159994 A1 8/2004 Lenzen et al.
 2004/0211021 A1 10/2004 Weber et al.
 2004/0244137 A1 12/2004 Poton
 2004/0250369 A1 12/2004 Matsumoto et al.
 2005/0005387 A1 1/2005 Kinoshita et al.
 2005/0011033 A1 1/2005 Thomar et al.
 2005/0039292 A1 2/2005 Boland
 2005/0166349 A1 8/2005 Nakano et al.
 2005/0177970 A1 8/2005 Scholl et al.
 2006/0010636 A1 1/2006 Vacher
 2006/0112511 A1 6/2006 Op't Roodt et al.
 2006/0117515 A1 6/2006 Fink et al.
 2006/0130263 A1 6/2006 Coughlin
 2006/0156529 A1 7/2006 Thomar et al.
 2006/0179597 A1 8/2006 Hoshino et al.
 2006/0218740 A1 10/2006 Coughlin
 2006/0230571 A1 10/2006 Son
 2006/0248675 A1 11/2006 Vacher et al.
 2006/0282972 A1 12/2006 Huang

2007/0017056 A1 1/2007 Cooke et al.
 2007/0067939 A1 3/2007 Huang
 2007/0067941 A1 3/2007 Huang
 2007/0089257 A1 4/2007 Harita et al.
 2007/0186366 A1 8/2007 Alley
 2007/0220698 A1 9/2007 Huang
 2007/0226940 A1 10/2007 Thienard
 2007/0226941 A1 10/2007 Kraemer et al.
 2007/0234501 A1 10/2007 Ho et al.
 2008/0083082 A1 4/2008 Rovaart et al.
 2008/0098554 A1 5/2008 Cho
 2008/0196192 A1 8/2008 Yao
 2008/0222830 A1 9/2008 Chiang
 2008/0263805 A1 10/2008 Sebring
 2008/0289133 A1 11/2008 Kim
 2009/0007364 A1 1/2009 Jarasson et al.
 2009/0013492 A1 1/2009 Henin
 2009/0056049 A1 3/2009 Jarasson et al.
 2009/0064440 A1 3/2009 Boland
 2009/0158545 A1 6/2009 Grasso et al.
 2009/0172910 A1 7/2009 De Block et al.
 2009/0178226 A1 7/2009 Lee et al.
 2010/0005608 A1 1/2010 Chien
 2010/0005609 A1 1/2010 Kim
 2010/0024151 A1 2/2010 Ku
 2010/0050360 A1 3/2010 Chiang
 2010/0050361 A1 3/2010 Chang et al.
 2010/0064468 A1 3/2010 Kang
 2010/0083454 A1 4/2010 Op't Roodt et al.
 2010/0205763 A1 8/2010 Ku
 2010/0212101 A1 8/2010 Thienard et al.
 2010/0236008 A1 9/2010 Yang et al.
 2010/0236675 A1 9/2010 Schneider
 2010/0242204 A1 9/2010 Chien
 2010/0281645 A1 11/2010 Kim et al.
 2011/0047742 A1 3/2011 Kim et al.
 2011/0072607 A1 3/2011 Van Baelen et al.
 2011/0113582 A1 5/2011 Kruse et al.
 2011/0113583 A1 5/2011 Shanmugham et al.
 2011/0162161 A1 7/2011 Amado
 2011/0192511 A1 8/2011 Marrone
 2011/0219563 A1 9/2011 Guastella et al.
 2011/0277264 A1 11/2011 Ehde
 2011/0277266 A1 11/2011 Umeno
 2012/0027206 A1 2/2012 Suzuki et al.
 2012/0047673 A1 3/2012 Depondt
 2012/0054976 A1 3/2012 Yang et al.
 2012/0060316 A1 3/2012 Avasiloaie et al.
 2012/0102669 A1 5/2012 Lee et al.
 2012/0144615 A1 6/2012 Song et al.
 2012/0159733 A1 6/2012 Kwon
 2012/0180245 A1 7/2012 Ku
 2012/0180246 A1 7/2012 Ku
 2012/0279008 A1 11/2012 Depondt
 2012/0311808 A1 12/2012 Yang et al.
 2012/0317740 A1 12/2012 Yang et al.
 2013/0067675 A1 3/2013 Chien
 2013/0104334 A1 5/2013 Depondt
 2013/0152326 A1 6/2013 Oslizlo et al.
 2013/0152330 A1 6/2013 Kim et al.
 2013/0167316 A1 7/2013 Egner-Walter et al.
 2013/0192016 A1 8/2013 Kim et al.
 2013/0247323 A1 9/2013 Geubel et al.
 2013/0255026 A1 10/2013 Depondt
 2013/0263400 A1 10/2013 Duesterhoeft et al.
 2013/0333145 A1 12/2013 Depondt
 2013/0333146 A1 12/2013 Depondt
 2014/0026348 A1 1/2014 Schaeuble
 2014/0026349 A1 1/2014 Schaeuble

FOREIGN PATENT DOCUMENTS

AU 410701 2/1971
 AU 649730 6/1994
 AU 729371 7/2001
 AU 741730 12/2001
 AU 762557 6/2003
 AU 770944 3/2004
 AU 2003257828 3/2004

(56)

References Cited

FOREIGN PATENT DOCUMENTS			CA		
AU	780818	4/2005	CA	2574242	7/2008
AU	2006100618	8/2006	CA	2617013	11/2008
AU	2006241297	6/2007	CA	2628517	4/2009
AU	2006203445	10/2007	CA	2500891	5/2011
AU	2008100641	8/2008	CA	2789431	8/2011
AU	2009238193	10/2009	CA	2809243	3/2012
AU	2009324257	8/2010	CA	2809292	3/2012
BR	8304484	4/1984	CA	2809947	3/2012
BR	8604381	5/1987	CA	2835703	11/2012
BR	8707390	11/1988	CA	2843527	1/2013
BR	8903473	3/1990	CA	2843637	2/2013
BR	8907154	2/1991	CA	2843644	2/2013
BR	9005080	8/1991	CA	2797693	5/2013
BR	9105809	8/1992	CA	2799267	6/2013
BR	9200129	10/1992	CA	2740384	7/2013
BR	0006164	4/2001	CN	101983148	3/2011
BR	0007263	10/2001	CN	202593459	12/2012
BR	0106665	4/2002	CN	102963337	3/2013
BR	0106667	4/2002	CN	102991462	3/2013
BR	0306135	10/2004	CN	102991466	3/2013
BR	PI0411532	8/2006	CN	103101514	5/2013
BR	PI0506158	10/2006	CN	103101516	5/2013
BR	PI0007263	1/2009	CN	103108782	5/2013
BR	PI0519259	1/2009	CN	103183008	7/2013
BR	0006917	8/2009	CN	103183009	7/2013
BR	PI0606903	8/2009	CN	103223923	7/2013
BR	PI0901324	4/2010	CN	103228498	7/2013
BR	PI0006963	9/2010	DE	2309063	8/1974
BR	PI0706762	4/2011	DE	2311293	9/1974
BR	PI1000961	6/2011	DE	2353368	5/1975
BR	PI0621265	12/2011	DE	3222864	12/1983
CA	954258	9/1974	DE	3919050 A1	12/1990
CA	966609	4/1975	DE	19650929	6/1998
CA	1038117	9/1978	DE	19734843	2/1999
CA	1075414	4/1980	DE	19745460	4/1999
CA	1124462	6/1982	DE	19814609	10/1999
CA	1184712	4/1985	DE	10054287	5/2002
CA	1257059	7/1989	DE	10228494 A1	1/2004
CA	1263803	12/1989	DE	10320930	11/2004
CA	2027227	4/1991	DE	102004019157	11/2005
CA	1289308	9/1991	DE	102005019389	11/2006
CA	2037400	2/1992	DE	102006057024	6/2008
CA	2093956	4/1992	DE	102007030169	1/2009
CA	2079846	7/1993	DE	102007051549	4/2009
CA	2118874	9/1994	DE	102008042516	5/2009
CA	2156345	2/1996	DE	102008001045	10/2009
CA	2174030	5/1997	DE	102008021457	11/2009
CA	2260175	1/1998	DE	102008002447	12/2009
CA	2220462	7/1998	DE	102008049269	4/2010
CA	2243143	1/1999	DE	102008049270	4/2010
CA	2344888	4/2000	DE	102009000483	4/2010
CA	2414099	1/2002	DE	102009001025	8/2010
CA	2472914	8/2003	DE	102010012983	2/2011
CA	2487799	12/2003	DE	102009029469	3/2011
CA	2515071	8/2004	DE	102009029470	3/2011
CA	2242776	7/2005	DE	102009048212	4/2011
CA	2553977	9/2005	DE	102010016348	4/2011
CA	2514372	1/2006	DE	102010003269	9/2011
CA	2574330	2/2006	DE	202011005213	9/2011
CA	2523315	4/2006	DE	202011100429	9/2011
CA	2541641	4/2006	DE	102010003645	10/2011
CA	2522729	6/2006	DE	102010028102	10/2011
CA	2598104	9/2006	DE	102010029107	11/2011
CA	2550409	11/2006	DE	102010030880	1/2012
CA	2568561	5/2007	DE	102010039526	2/2012
CA	2569175	5/2007	EP	0594451	4/1994
CA	2569176	5/2007	EP	0633170	1/1995
CA	2569977	6/2007	EP	0683703	11/1995
CA	2560155	9/2007	EP	0695246	2/1996
CA	2645821	10/2007	EP	0749378	12/1996
CA	2649474	11/2007	EP	0757636	2/1997
CA	2649760	11/2007	EP	0760761	3/1997
CA	2651069	11/2007	EP	0777594	6/1997
CA	2590443	4/2008	EP	0792704	9/1997
CA	2631513	5/2008	EP	0810936	12/1997
			EP	0828638	3/1998
			EP	0841229	5/1998
			EP	0847346	6/1998
			EP	0847347	6/1998

(56) References Cited			FOREIGN PATENT DOCUMENTS		
EP	0853561	7/1998	FR	2879987	6/2006
EP	0853563	7/1998	FR	2957877	9/2011
EP	0853565	7/1998	GB	1395918	5/1975
EP	0914269	5/1999	GB	1405579	9/1975
EP	0926028	6/1999	GB	2188672	10/1987
EP	0930991	7/1999	GB	2220844 A	1/1990
EP	0935546	8/1999	GB	2324237	10/1998
EP	0943511	9/1999	GB	2348118 A	9/2000
EP	1022202	7/2000	HK	1110560	5/2010
EP	1037778	9/2000	HK	1105928	8/2010
EP	0783998	10/2000	HK	1108573	10/2011
EP	1056628	12/2000	HK	1110561	7/2012
EP	1098795	5/2001	JP	60092136 A	5/1985
EP	1098796	5/2001	JP	2008037388 A	2/2008
EP	1109706	6/2001	KR	10-089115	2/2009
EP	1119475	8/2001	MX	169141	6/1993
EP	1119476	8/2001	MX	9708272	8/1998
EP	1178907	2/2002	MX	9708273	8/1998
EP	1197406	4/2002	MX	PA03010189	3/2004
EP	1243489	9/2002	MX	PA03010190	3/2004
EP	1247707	10/2002	MX	PA05002760	6/2005
EP	1257445	11/2002	MX	PA05002988	6/2005
EP	1289804	3/2003	MX	PA05008266	9/2005
EP	1289806	3/2003	MX	PA05005581	11/2005
EP	1294596	3/2003	MX	PA06008594	8/2006
EP	1337420	8/2003	MX	2007007828	7/2007
EP	1412235	4/2004	MX	2007007829	7/2007
EP	1017514	6/2004	MX	2008012325	10/2008
EP	1425204	6/2004	MX	2008013480	10/2008
EP	1448414	8/2004	MX	2008013814	12/2008
EP	1462327	9/2004	MX	2008014163	2/2009
EP	1485279	12/2004	MX	2009013050	1/2010
EP	1494901	1/2005	MX	2009013051	1/2010
EP	1494902	1/2005	MX	2010009333	10/2010
EP	1501710	2/2005	MX	2011000597	3/2011
EP	1519862	4/2005	MX	2011000598	3/2011
EP	1547883	6/2005	MX	2011003242	4/2011
EP	1612113	1/2006	MX	2011003243	4/2011
EP	1312522	4/2006	MX	2011003911	9/2011
EP	1666319	6/2006	MX	2012002314	6/2012
EP	102004061088	6/2006	MX	2013002710	5/2013
EP	1719673	11/2006	MX	2013006881	7/2013
EP	1733939	12/2006	MY	122308	4/2006
EP	1740424	1/2007	MY	122563	4/2006
EP	1744940	1/2007	MY	128028	1/2007
EP	1753646	2/2007	MY	128970	3/2007
EP	1758772	3/2007	PT	1800978	5/2011
EP	1769987	4/2007	PT	1800977	1/2012
EP	1792794	6/2007	RU	2238198	10/2004
EP	1799518	6/2007	RU	2251500	5/2005
EP	1800977	6/2007	RU	2260527	9/2005
EP	1800978	6/2007	RU	2260528	9/2005
EP	1846274	10/2007	RU	2268176	1/2006
EP	1849666 A1	10/2007	RU	2271287	3/2006
EP	2015971	1/2009	RU	2293034	2/2007
EP	2050638	4/2009	RU	2294291	2/2007
EP	2079617	7/2009	RU	2007127898	1/2009
EP	2109557	10/2009	RU	80415	2/2009
EP	2113432	11/2009	RU	2346834	2/2009
EP	2127969	12/2009	RU	2369500	10/2009
EP	2134576	12/2009	RU	2381120	2/2010
EP	2143603	1/2010	RU	2394706	7/2010
EP	2146877	1/2010	RU	105237	6/2011
EP	2671767	1/2010	RU	108350	9/2011
EP	2230140	9/2010	RU	108741	9/2011
EP	2236366	10/2010	TW	M404153 U1	5/2011
EP	2253520	11/2010	TW	201325952	7/2013
EP	2258592	12/2010	TW	201325953	7/2013
EP	1559623	1/2011	WO	WO 81/03308	11/1981
EP	2321160	5/2011	WO	WO 91/06451	5/1991
EP	2338747	6/2011	WO	WO 92/06869	4/1992
EP	2426017	3/2012	WO	WO 97/12787	4/1997
FR	2736025 A1	1/1997	WO	WO 98/01328	1/1998
FR	2738201 A1	3/1997	WO	WO 98/01329	1/1998
FR	2747976	10/1997	WO	WO 98/50261	11/1998
			WO	WO 98/51203	11/1998
			WO	WO 98/51550	11/1998
			WO	WO 99/08818	2/1999
			WO	WO 99/15382	4/1999

(56)

References Cited

FOREIGN PATENT DOCUMENTS

WO	WO 99/56992	11/1999
WO	WO 00/05111	2/2000
WO	WO 00/06431	2/2000
WO	WO 00/21808	4/2000
WO	WO 00/21809	4/2000
WO	WO 00/21811	4/2000
WO	WO 00/38963	7/2000
WO	WO 00/38964	7/2000
WO	WO 00/53470	9/2000
WO	WO 0061409	10/2000
WO	WO 01/26942	4/2001
WO	WO 01/30618	5/2001
WO	WO 01/40034	6/2001
WO	WO 01/49537	7/2001
WO	WO 01/58732	8/2001
WO	WO 01/62559	8/2001
WO	WO 01/89890	11/2001
WO	WO 01/89891	11/2001
WO	WO 01/89892	11/2001
WO	WO 01/94166	12/2001
WO	WO 02/04168	1/2002
WO	WO 02/04266	1/2002
WO	WO 02/04267	1/2002
WO	WO 02/04268	1/2002
WO	WO 02/34590	5/2002
WO	WO 02/34596	5/2002
WO	WO 02/34597	5/2002
WO	WO 02/40328	5/2002
WO	WO 02/40329	5/2002
WO	WO 02/051677	7/2002
WO	WO 02/052917	7/2002
WO	WO 02/066301	8/2002
WO	WO 02/090155	11/2002
WO	WO 02/090156	11/2002
WO	WO 03/026938	4/2003
WO	WO 03/033316	4/2003
WO	WO 03/042017	5/2003
WO	WO 03/045746	6/2003
WO	WO 03/091078	11/2003
WO	WO 03/101794	12/2003
WO	WO 03/106233	12/2003
WO	WO 2004/002792	1/2004
WO	WO 2004/045927	6/2004
WO	WO 2004/045928	6/2004
WO	WO 2004/048163	6/2004
WO	WO 2004/056625	7/2004
WO	WO 2004/069617	8/2004
WO	WO 2004/076251	9/2004
WO	WO 2004/098962	11/2004
WO	WO 2004/098963	11/2004
WO	WO 2004/110833	12/2004
WO	WO 2005/025956	3/2005
WO	WO 2005/039944	5/2005
WO	WO 2008/051483	5/2005
WO	WO 2005/054017	6/2005
WO	WO 2005/080160	9/2005
WO	WO 2005/082691	9/2005
WO	WO 2005/087560	9/2005
WO	WO 2005/092680	10/2005
WO	WO 2005/102801	11/2005
WO	WO 2005/115813	12/2005
WO	WO 2005/123471	12/2005
WO	WO 2006/000393	1/2006
WO	WO 2006/013152	2/2006
WO	WO 2006/040259	4/2006

WO	WO 2006/048355	5/2006
WO	WO 2006/061284	6/2006
WO	WO 2006/069648	7/2006
WO	WO 2006/074995	7/2006
WO	WO 2006/079591	8/2006
WO	WO 2006/081893	8/2006
WO	WO 2006/106006	10/2006
WO	WO 2006/106109	10/2006
WO	WO 2006/114355	11/2006
WO	WO 2006/117081	11/2006
WO	WO 2006/117085	11/2006
WO	WO 2006/117308	11/2006
WO	WO 2007/009885	1/2007
WO	WO 2007/014389	2/2007
WO	WO 2007/014395	2/2007
WO	WO 2007/035288	3/2007
WO	WO 2007/042377	4/2007
WO	WO 2007/045549	4/2007
WO	WO 2007/071487	6/2007
WO	WO 2007/073974	7/2007
WO	WO 2007/102404	9/2007
WO	WO 2007/122095	11/2007
WO	WO 2007/128677	11/2007
WO	WO 2008/003633	1/2008
WO	WO 2008/043622	4/2008
WO	WO 2008/076402	6/2008
WO	WO 2008/122453	10/2008
WO	WO 2008/124113	10/2008
WO	WO 2008/135308	11/2008
WO	WO 2009/000498	12/2008
WO	WO 2009/115494	9/2009
WO	WO 2009/121849	10/2009
WO	WO 2009/124792	10/2009
WO	WO 2009/132982	11/2009
WO	WO 2009/153097	12/2009
WO	WO 2009/155230	12/2009
WO	WO 2010/016000	2/2010
WO	WO 2010/028866	3/2010
WO	WO 2010/028918	3/2010
WO	WO 2010033646	3/2010
WO	WO 2010/034445	4/2010
WO	WO 2010/034447	4/2010
WO	WO 2010/035794	4/2010
WO	WO 2010/091757	8/2010
WO	WO 2010/098877	9/2010
WO	WO 2010/112579	10/2010
WO	WO 2010/121665	10/2010
WO	WO 2011/032753	3/2011
WO	WO 2011/032760	3/2011
WO	WO 2011/040743	4/2011
WO	WO 2011/060979	5/2011
WO	WO 2011/116995	9/2011
WO	WO 2011/120723	10/2011
WO	WO 2011/124404	10/2011
WO	WO 2011/131395	10/2011
WO	WO 2011/144400	11/2011
WO	WO 2011/157465	12/2011
WO	WO 2012/001175	1/2012
WO	WO 2012/014054	2/2012
WO	WO 2012/033363	3/2012

OTHER PUBLICATIONS

International Search Report mailed Sep. 19, 2012 for PCT/US2012/048617 filed Jul. 27, 2012.

International Search Report mailed Sep. 19, 2012 for PCT/US2012/048262 filed Jul. 26, 2012.

* cited by examiner

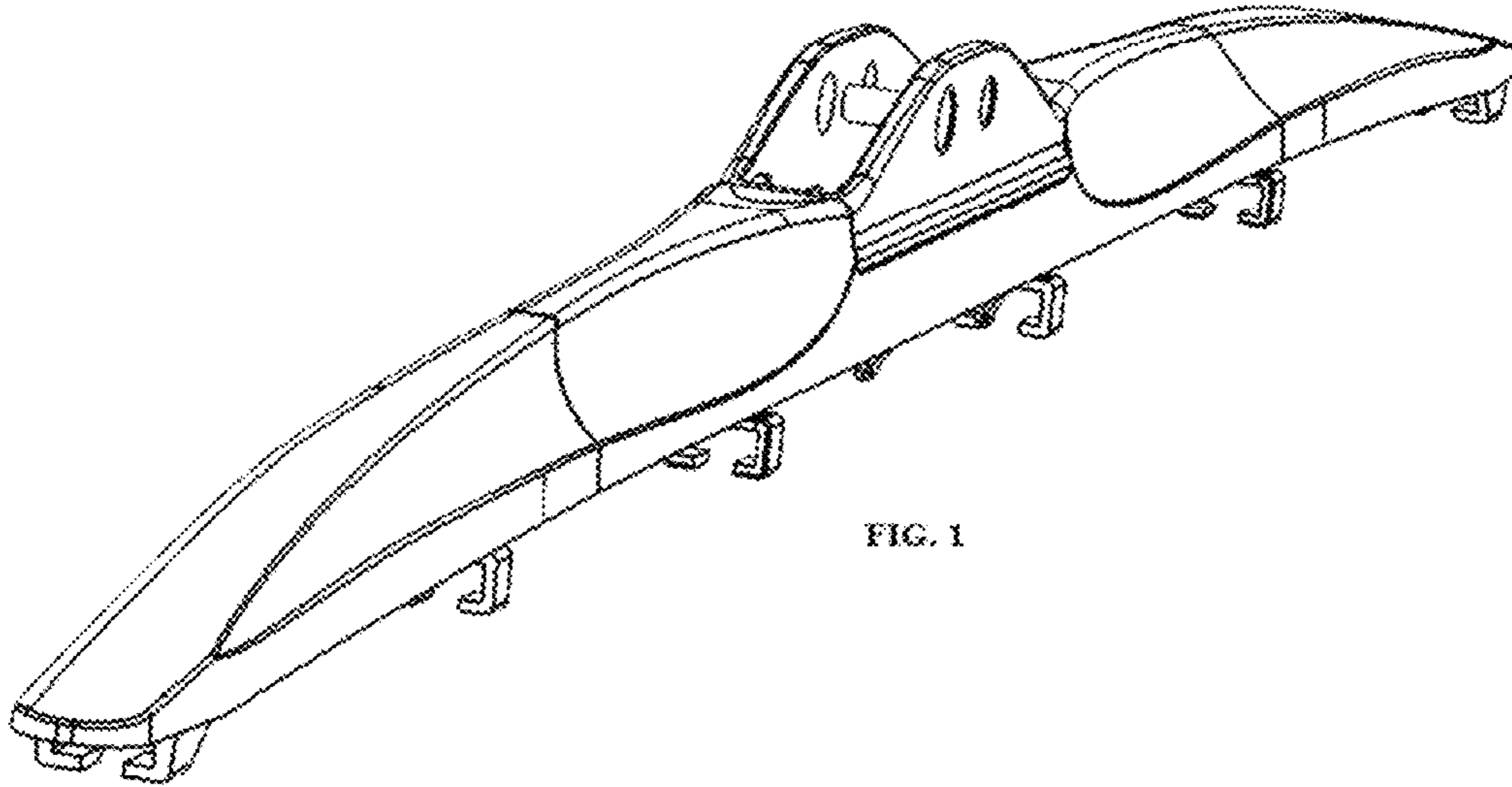


FIG. 1



FIG. 2

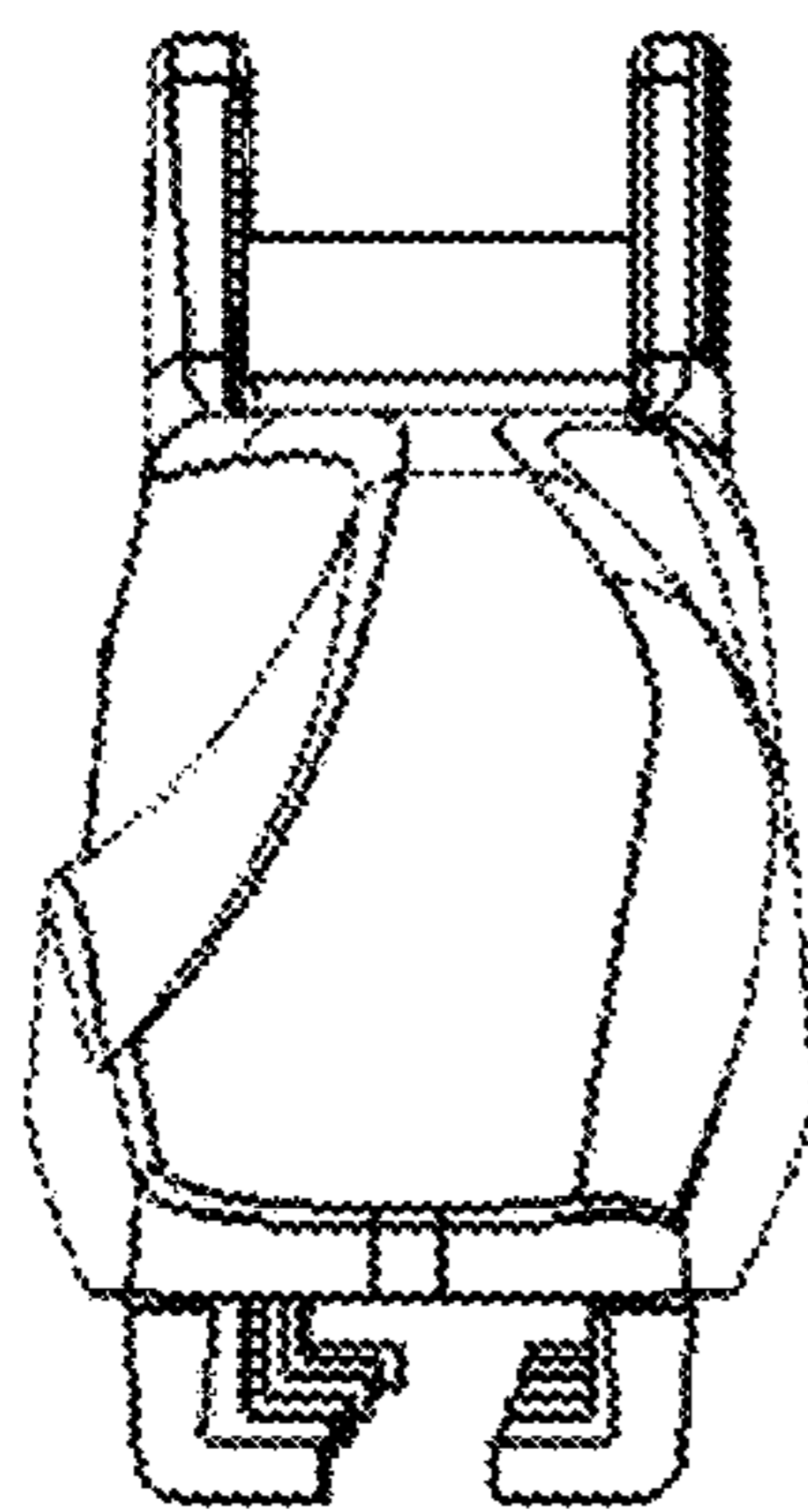


FIG. 3

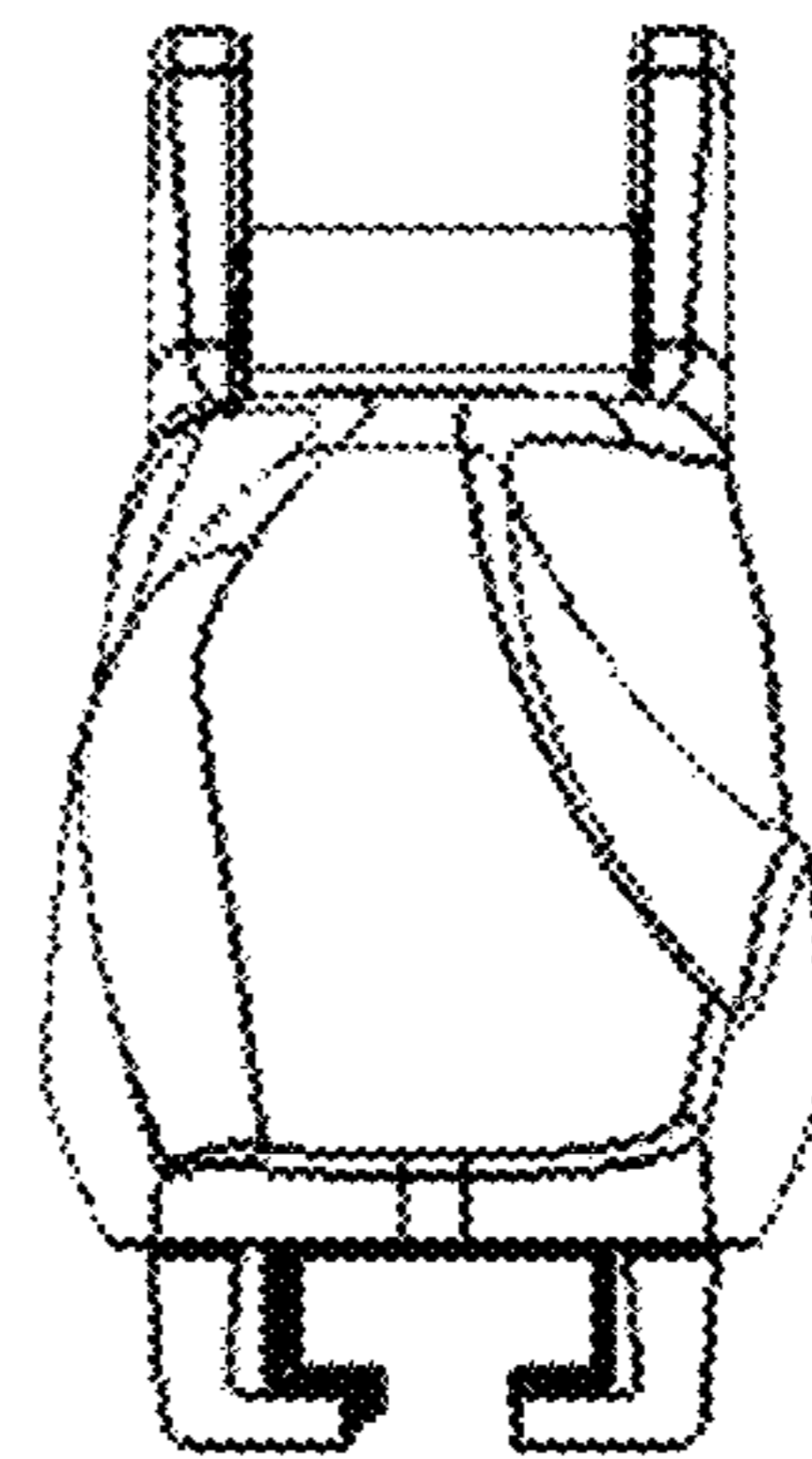


FIG. 4

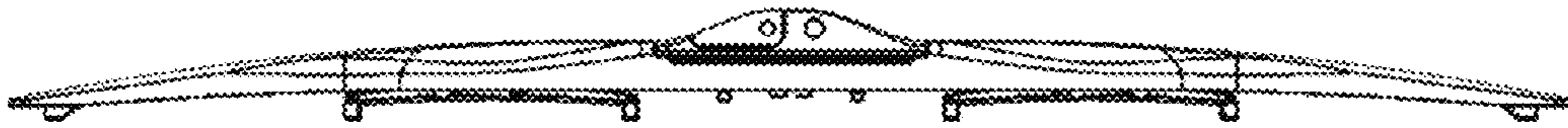


FIG. 5



FIG. 6



FIG. 7

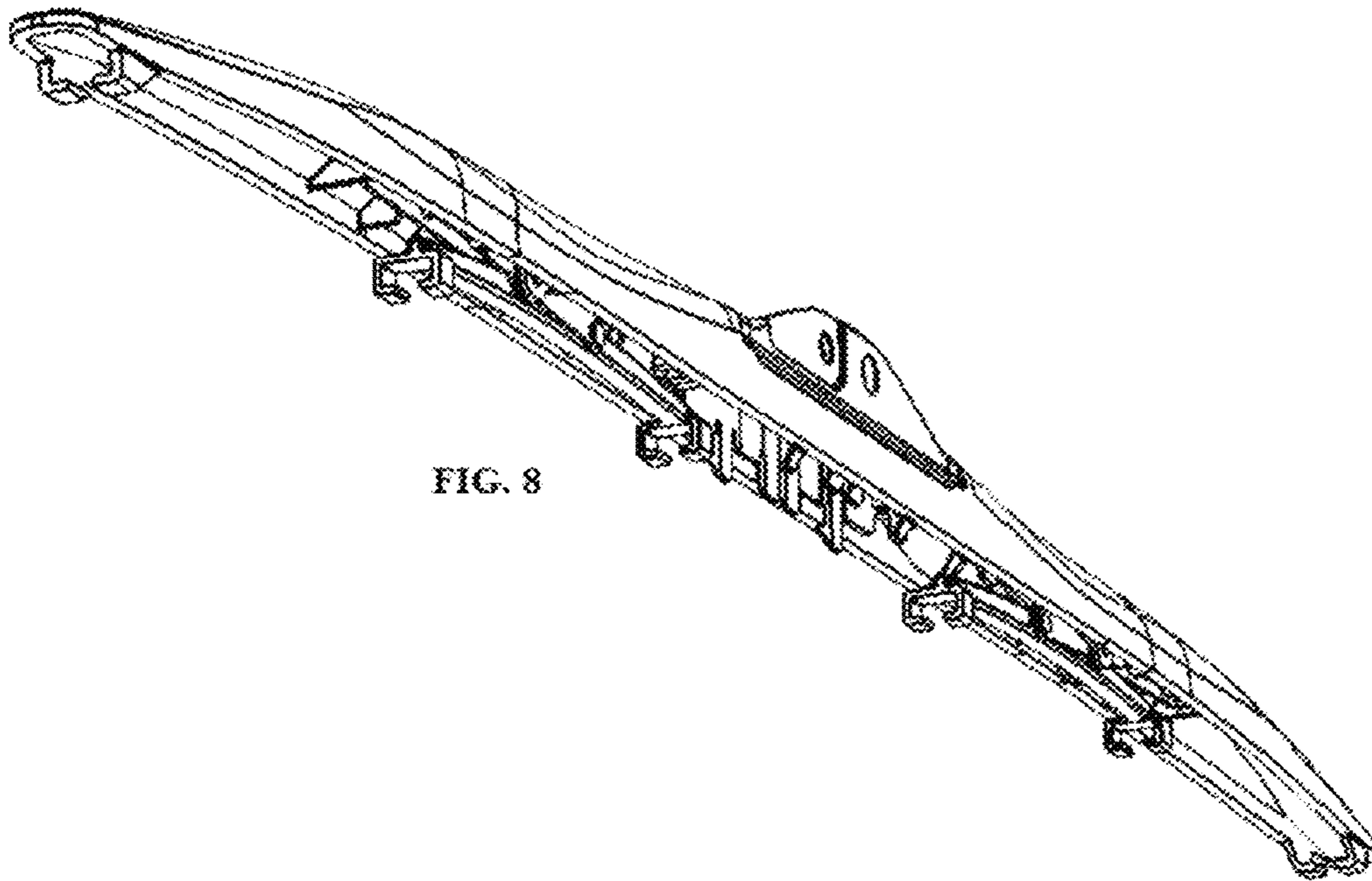


FIG. 8