



US00D777078S

(12) **United States Design Patent**
Lickliter

(10) **Patent No.:** **US D777,078 S**

(45) **Date of Patent:** **** Jan. 24, 2017**

(54) **VEHICLE WHEEL LINK**

(71) Applicant: **Wheel Pros, LLC**, Greenwood Village,
CO (US)

(72) Inventor: **Hans Lickliter**, Lake Hughes, CA (US)

(73) Assignee: **Wheel Pro, LLC**

(**) Term: **15 Years**

(21) Appl. No.: **29/535,490**

(22) Filed: **Aug. 6, 2015**

(51) **LOC (10) Cl.** **12-16**

(52) **U.S. Cl.**
USPC **D12/213**

(58) **Field of Classification Search**
USPC D12/204–213
CPC B60B 7/00; B60B 7/02; B60B 7/04;
B60B 7/01; B60B 7/06; B60B 3/02; B60B
3/04; B60B 3/06; B60B 3/10; B60B 1/00;
B60B 1/08; B60B 1/10; B60B 1/12
See application file for complete search history.

(56) **References Cited**

U.S. PATENT DOCUMENTS

D662,450 S * 6/2012 Cavanaugh D12/213
D682,760 S * 5/2013 Fetherston D12/209

D735,107 S * 7/2015 Chou D12/213
D755,695 S * 5/2016 Lickliter D12/209
D755,696 S * 5/2016 Lickliter D12/209

* cited by examiner

Primary Examiner — Stacia Cadmus

(74) *Attorney, Agent, or Firm* — K C Bean, Esq.

(57) **CLAIM**

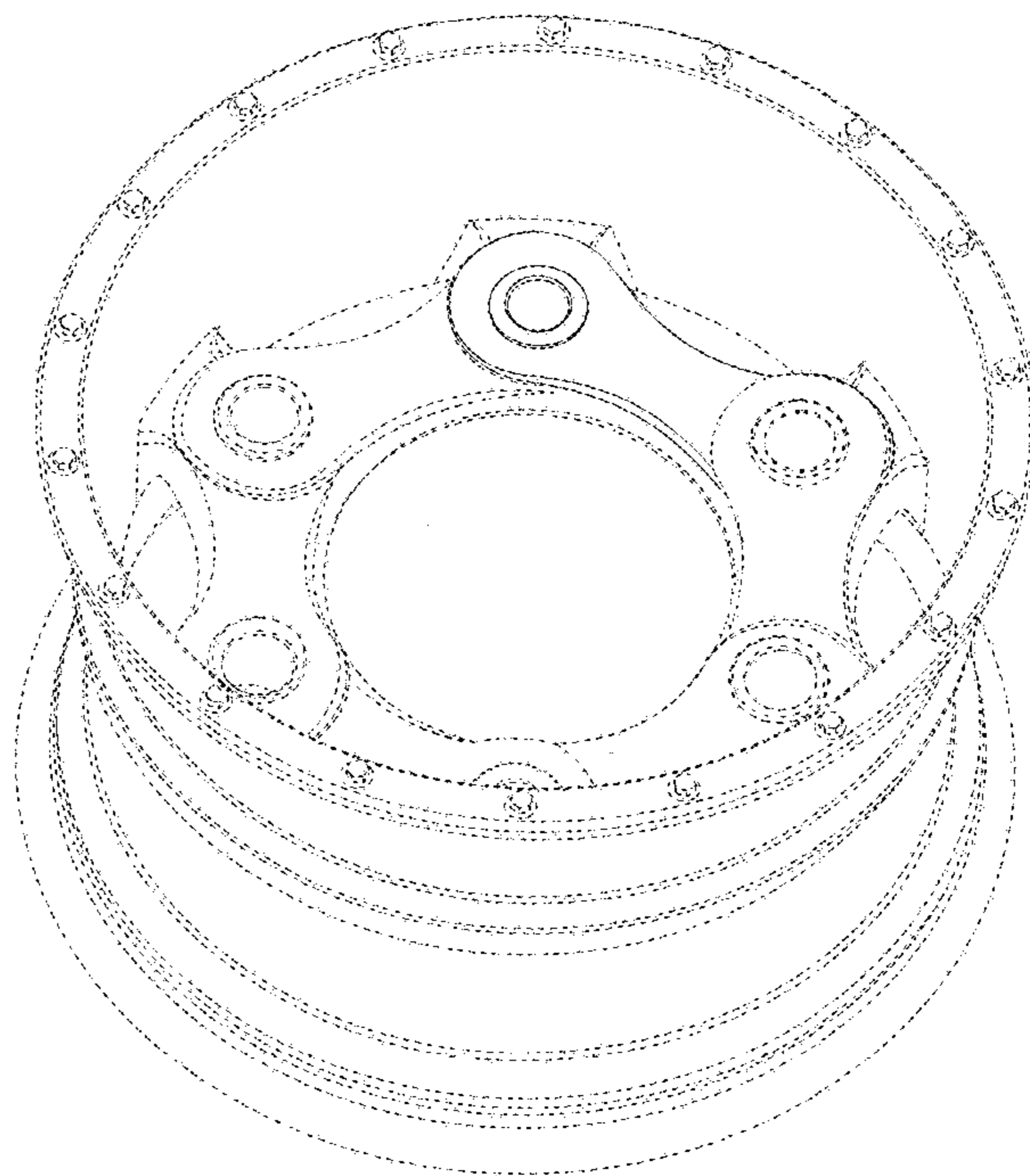
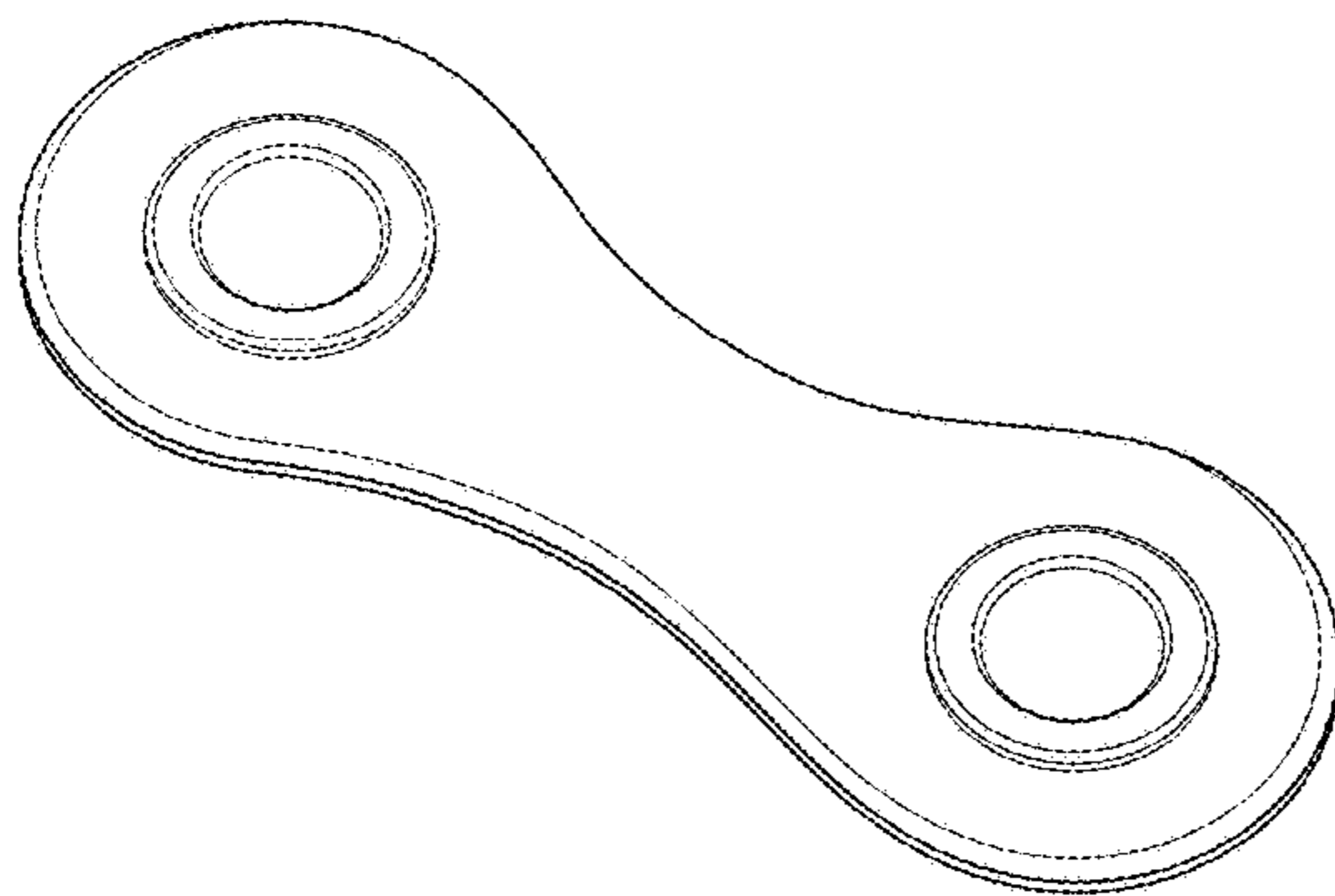
The ornamental design of vehicle wheel link, as shown and described.

DESCRIPTION

FIG. 1 is a perspective view of the vehicle wheel link showing the new design; FIG. 2 is the right side view thereof; FIG. 3 is the left side view thereof; FIG. 4 is the front view thereof; FIG. 5 is the back view thereof; FIG. 6 is the top view thereof; FIG. 7 is the bottom view thereof; and, FIG. 8 is a perspective view of the vehicle wheel link mounted on a vehicle wheel.

In the drawings, the broken lines depict environmental subject matter only and form no part of the claimed design.

1 Claim, 3 Drawing Sheets



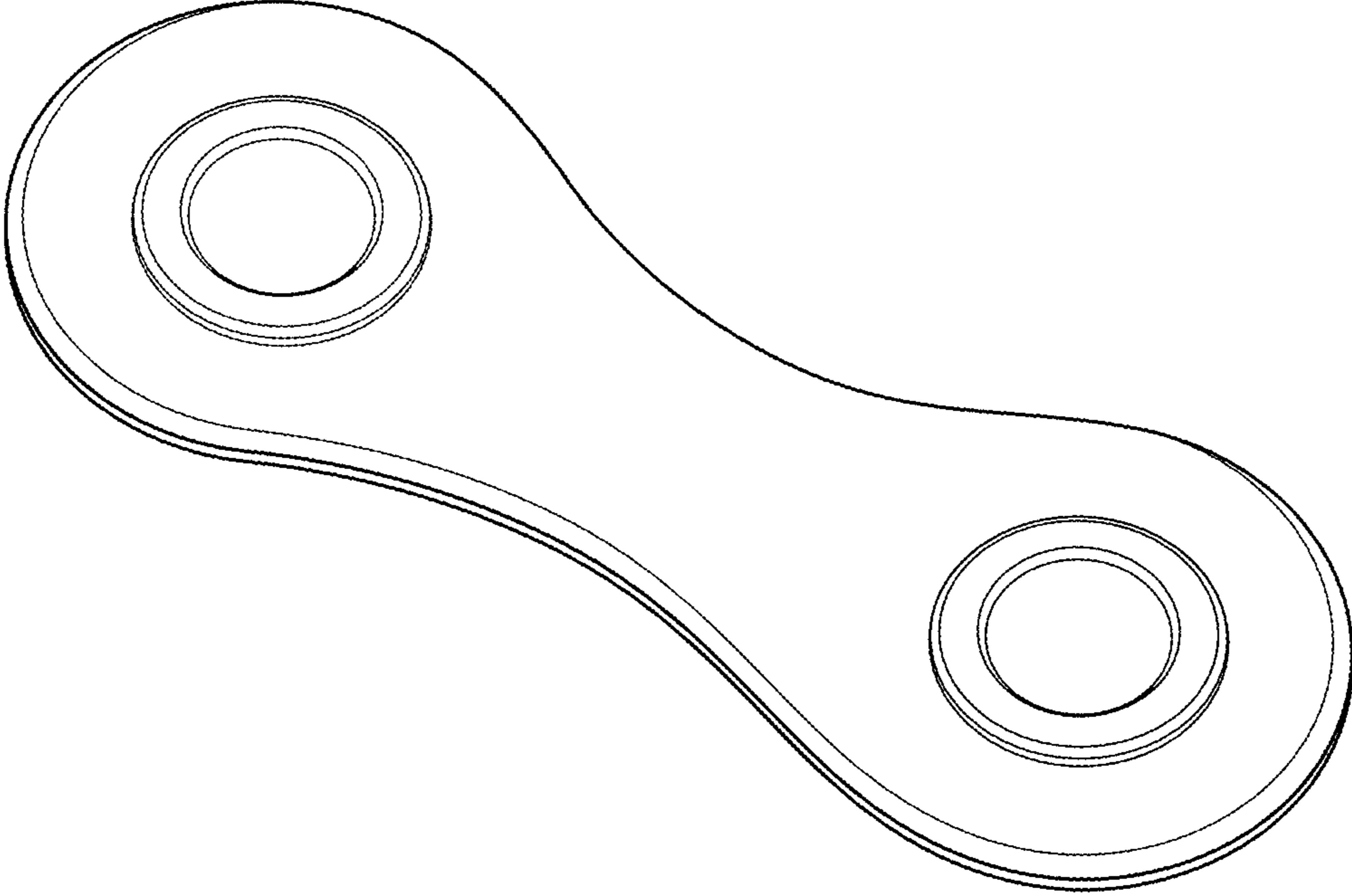


FIG. 1



FIG. 2



FIG. 3



FIG. 4



FIG. 5

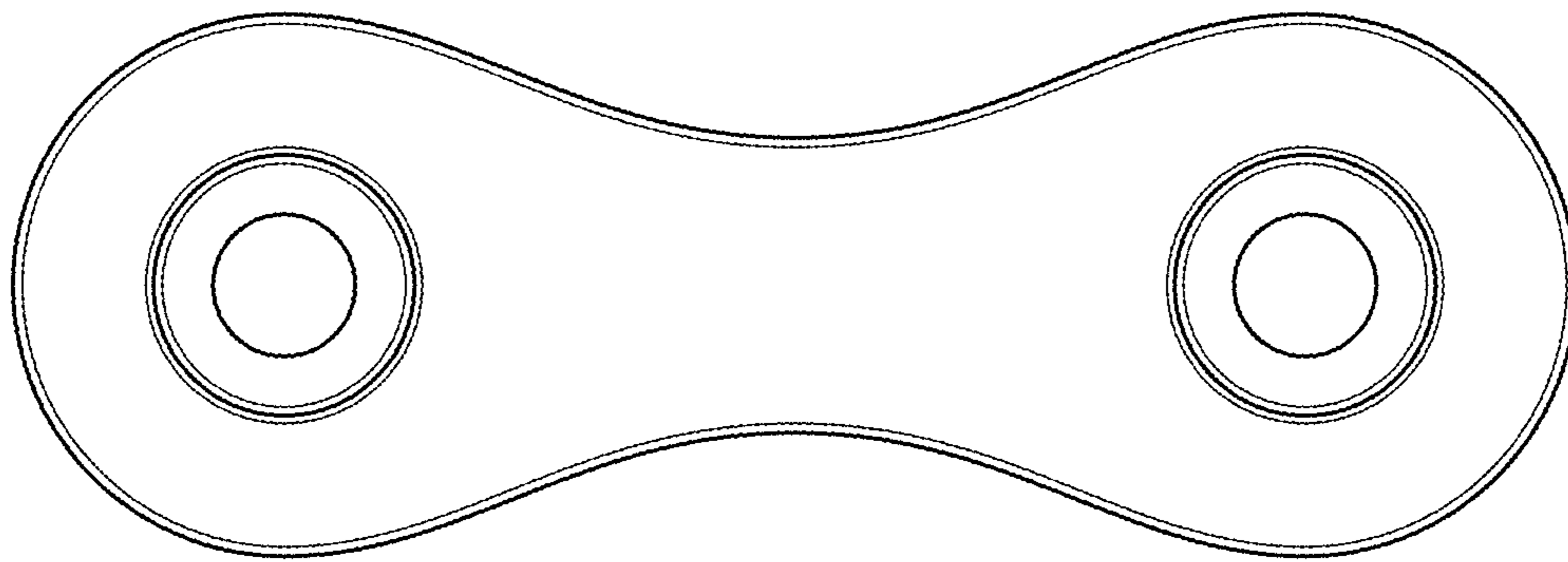


FIG. 6

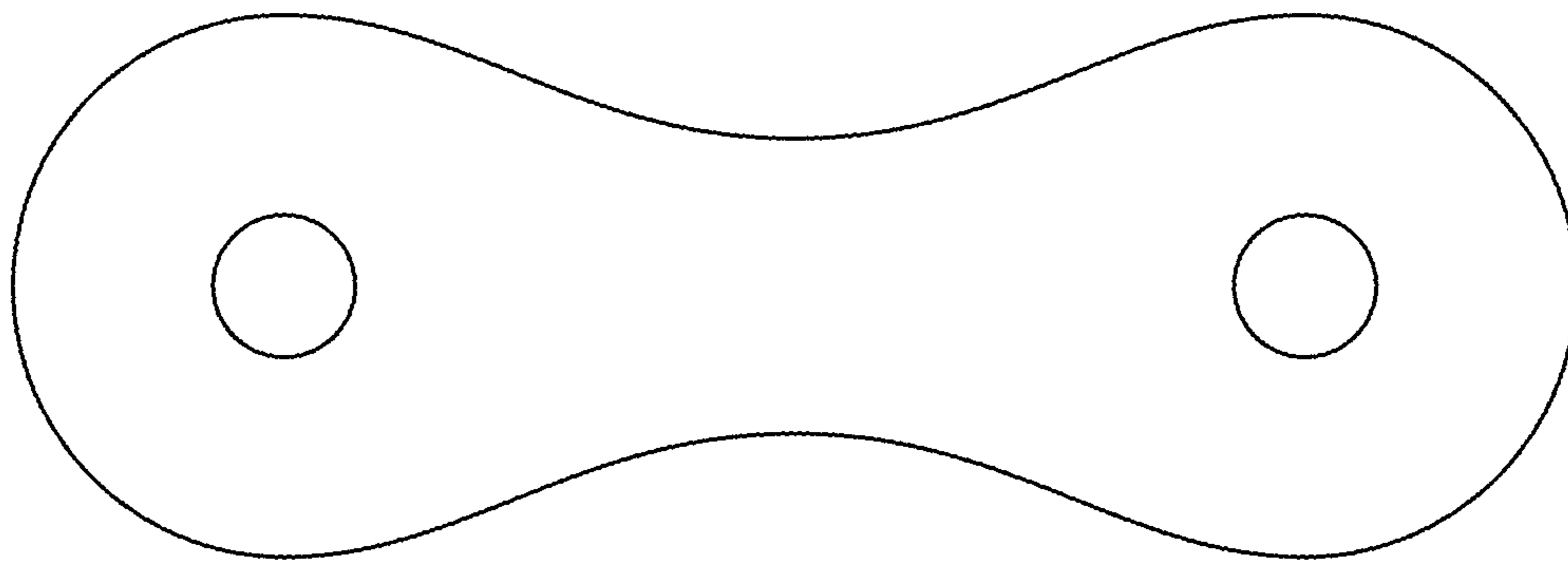


FIG. 7

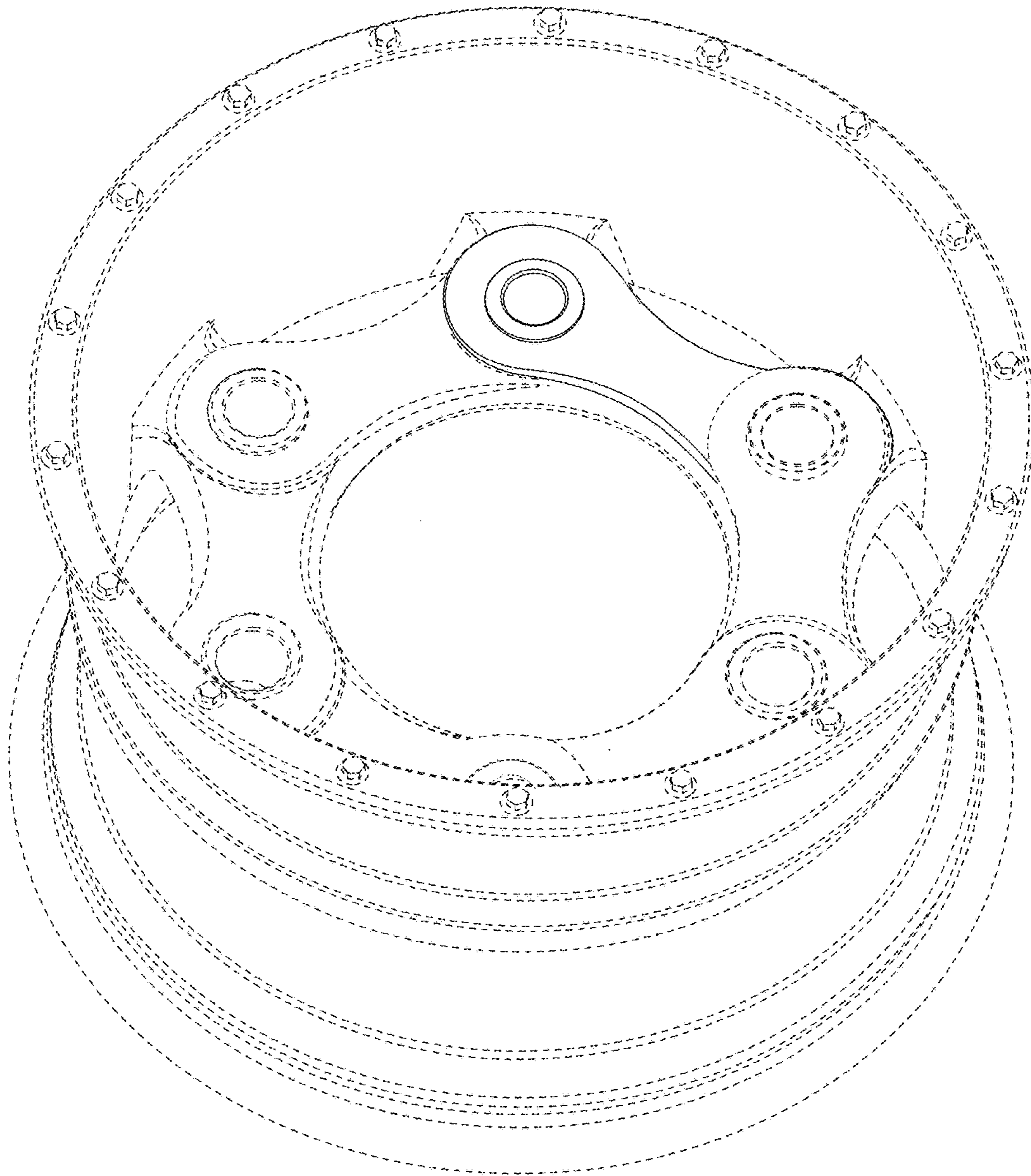


FIG. 8